
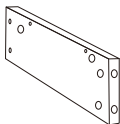
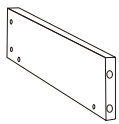
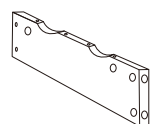
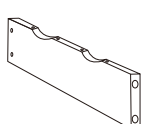
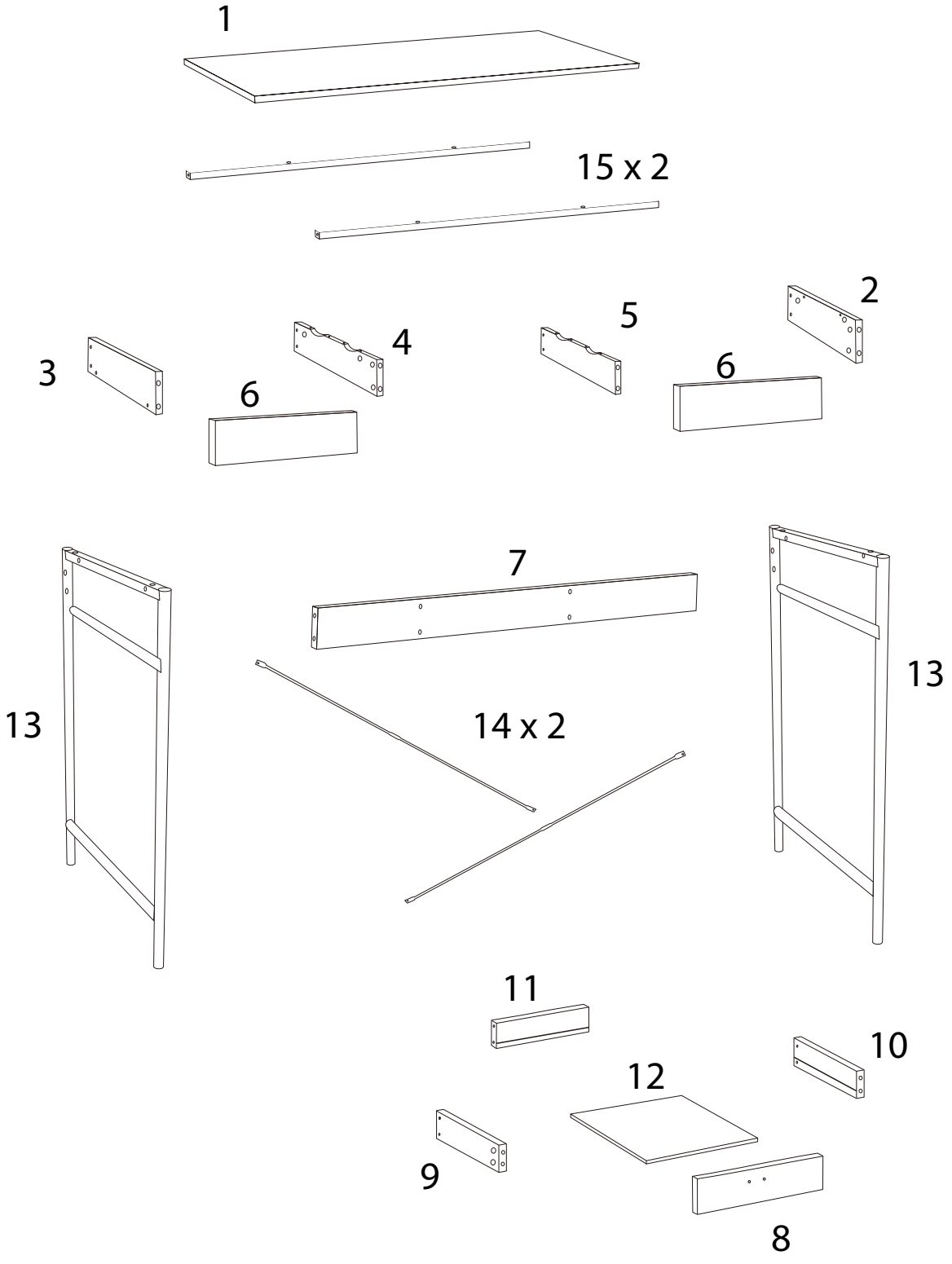


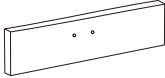
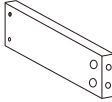
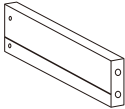

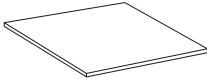



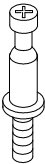
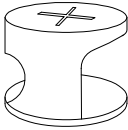
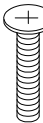

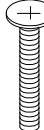
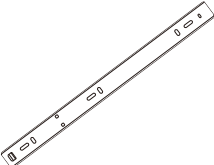
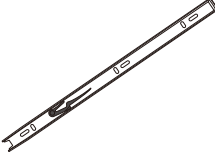

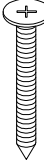
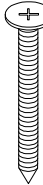
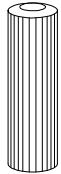
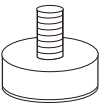
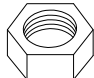




Diagram illustrating assembly instructions and safety warnings:

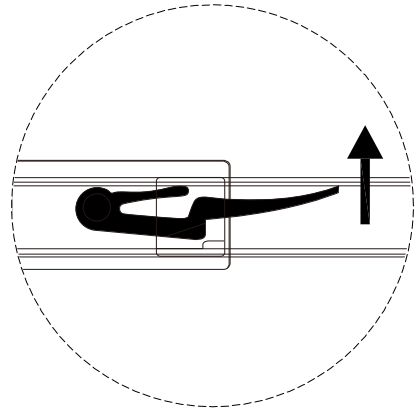
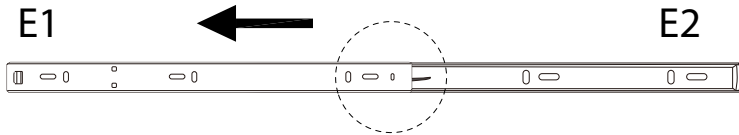
- Top Warning:** A triangle with an exclamation mark. Below it, a box contains a screwdriver icon and a crossed-out power drill icon.
- Time:** A clock icon with the text "60'" below it, indicating a 60-minute assembly time.
- Bottom Warning:** A triangle with an exclamation mark. Below it, a box contains an icon of a block being placed on a mat and a crossed-out icon of a block being placed on a surface.
- Person Icon:** A stick figure icon with the number "1" below it, indicating that one person is required for assembly.

1	2	3	4	5
				
x 1	x 1	x 1	x 1	x 1



6  x 2	7  x 1	8  x 1	9  x 1	10  x 1
11  x 1	12  x 1	13  x 2	14  x 2	15  x 2
A1  x 25	A2  x 25	B  M6 x 25 x 8	C  M6 x 12 x 5	D  M6 x 45 x 4
E1  x 2	E2  x 2	F  M3.5 x 12 x 8	G  M5 x 50 x 8	H  M5 x 70 x 4
I  x 8	J  x 4	K  x 1	L  M3.5 x 18 x 2	N  x 1

!



1

13

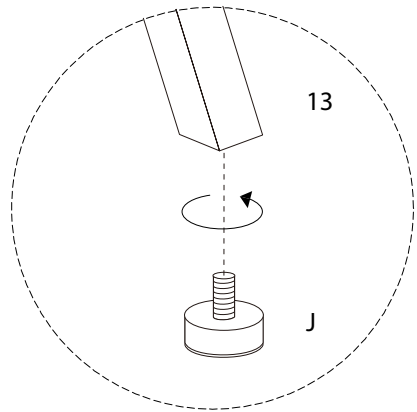
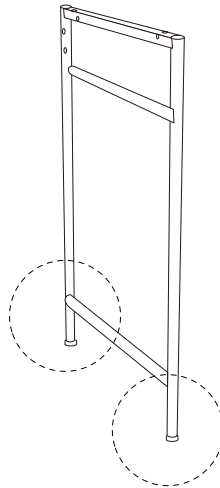
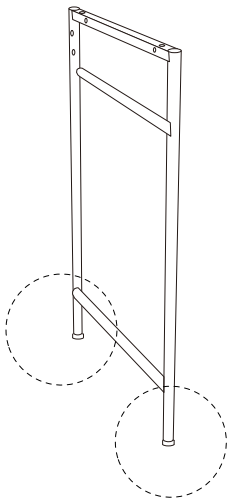


x 2

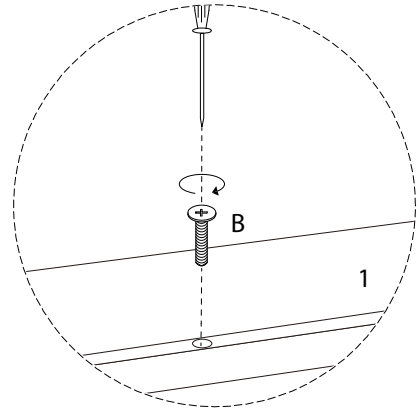
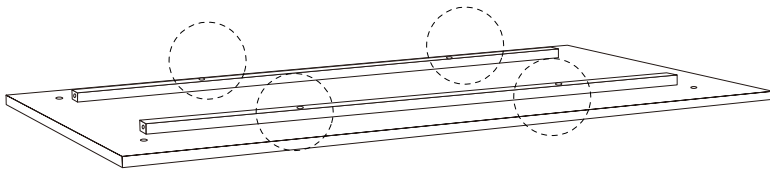
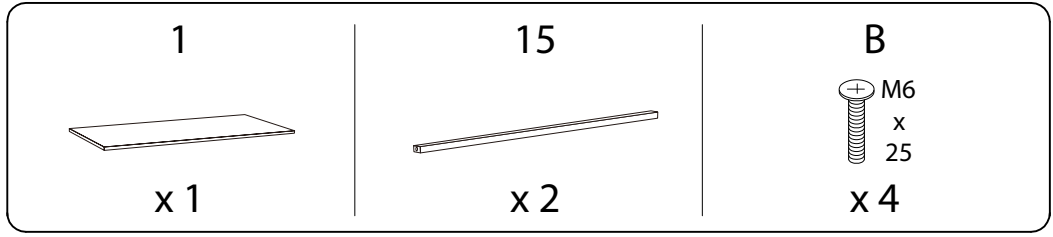
J



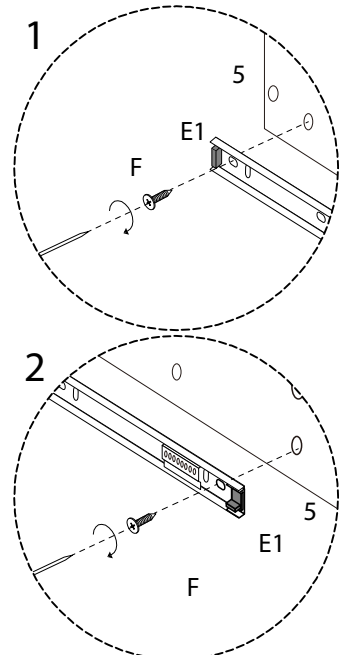
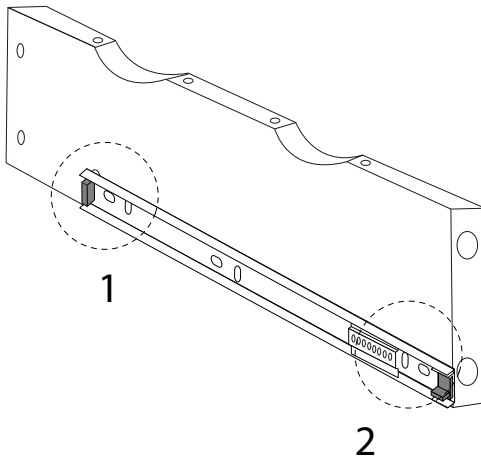
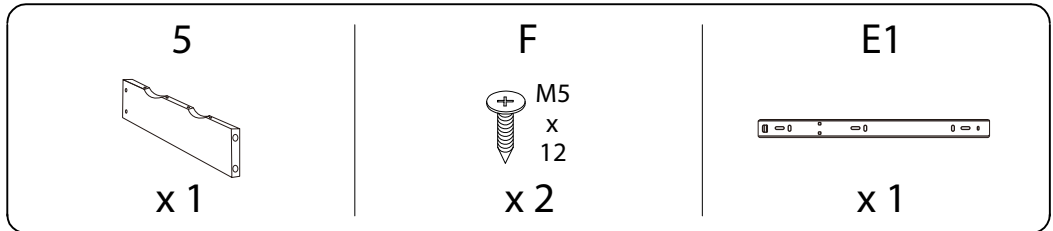
x 4



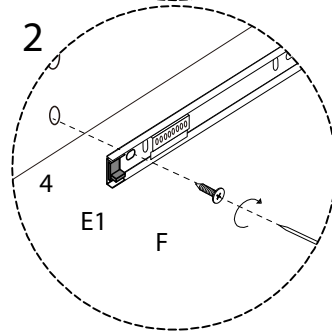
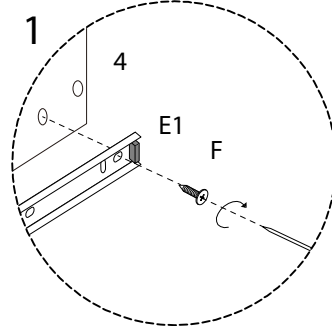
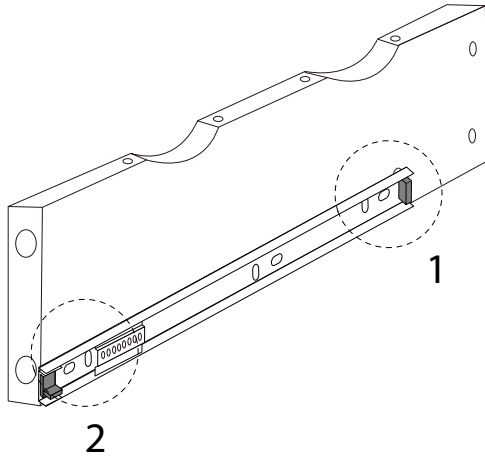
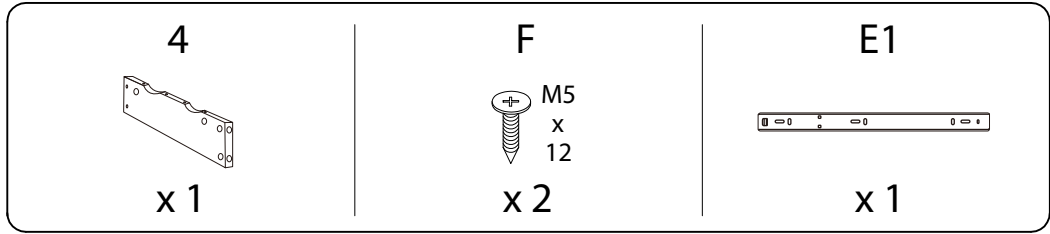
2



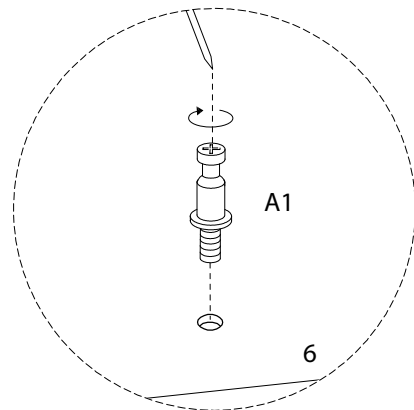
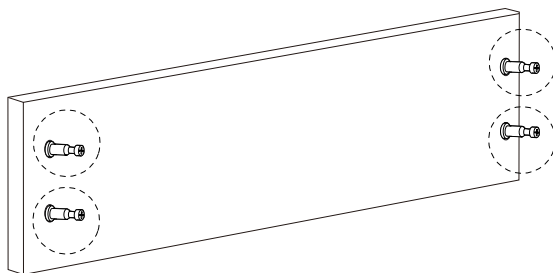
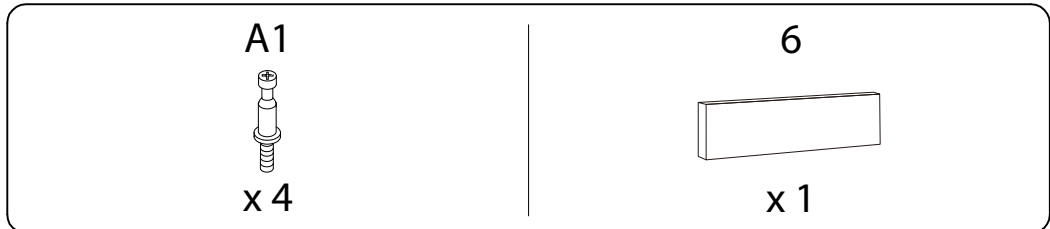
3



4

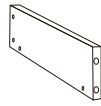


5 x 2

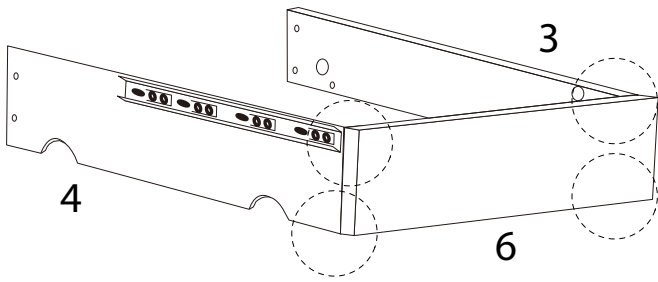


6

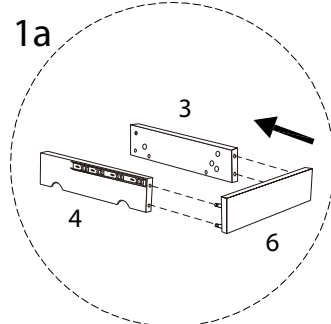
3



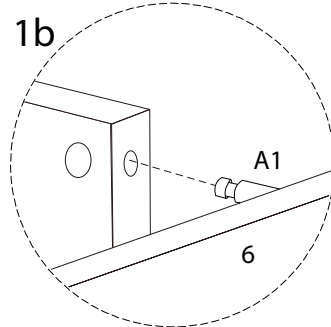
x 1



1a



1b

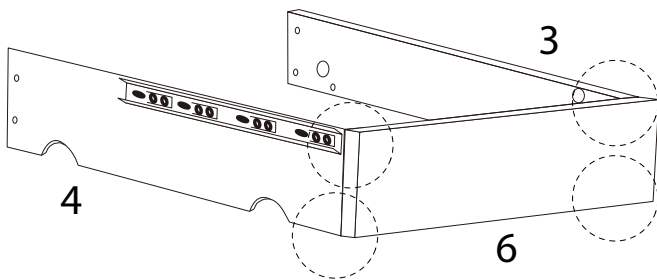


7

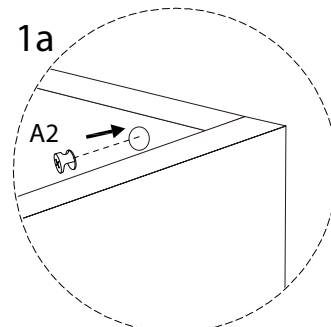
A2



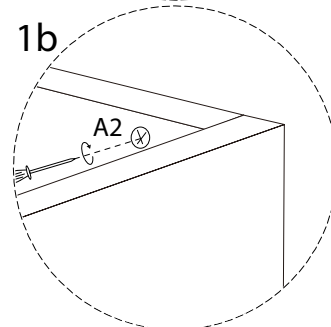
x 4



1a

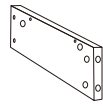


1b

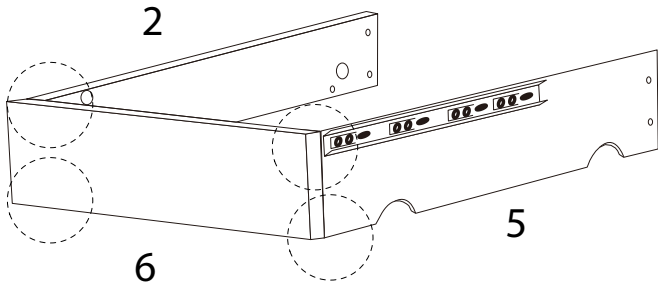


8

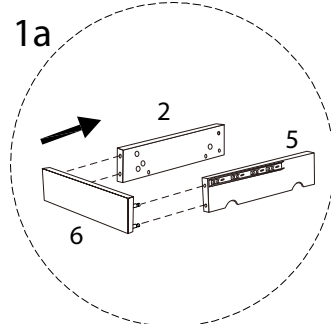
2



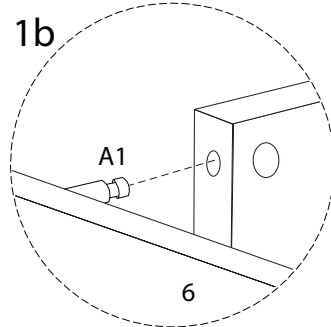
x 1



1a



1b

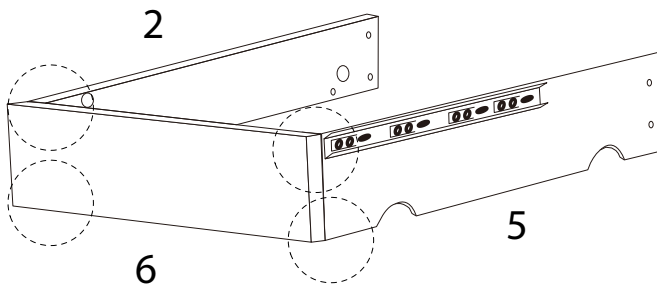


9

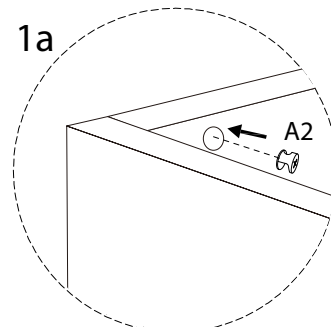
A2



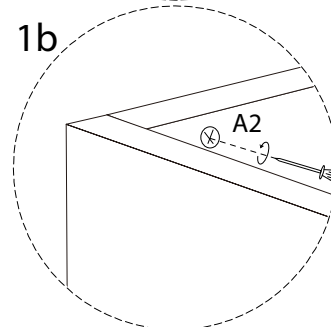
x 4



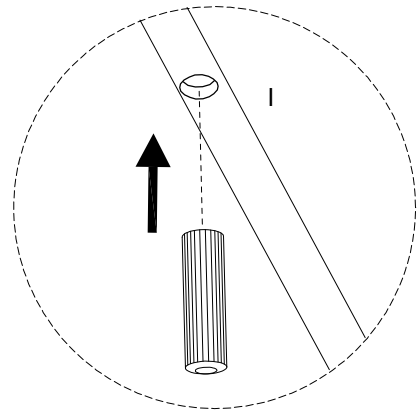
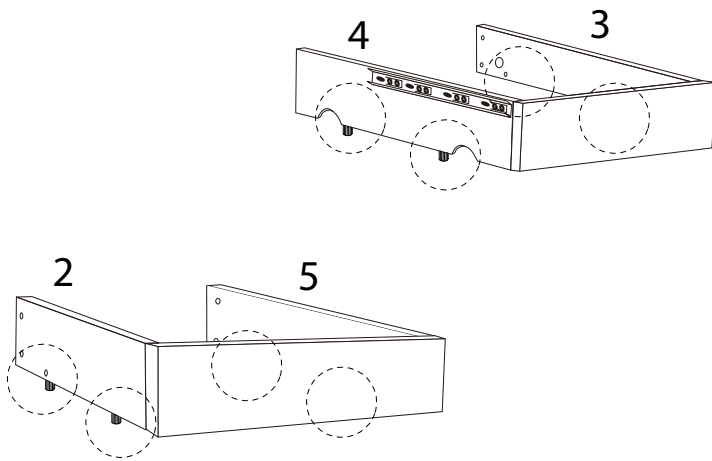
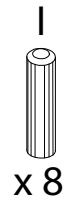
1a



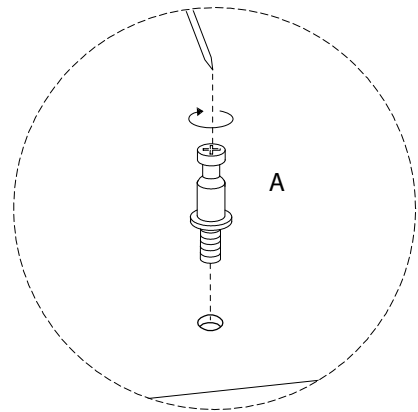
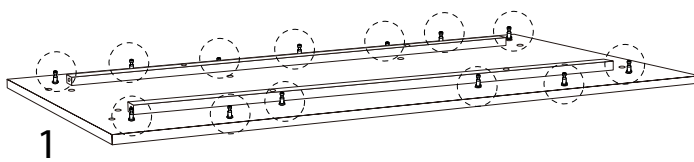
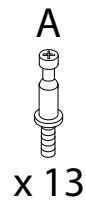
1b



10



11

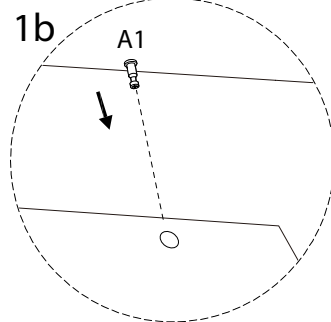
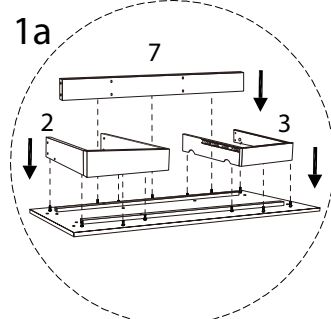
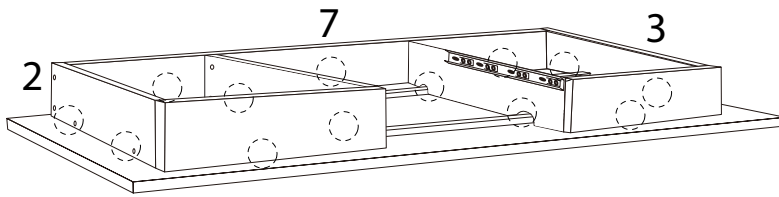


12

7



x 1

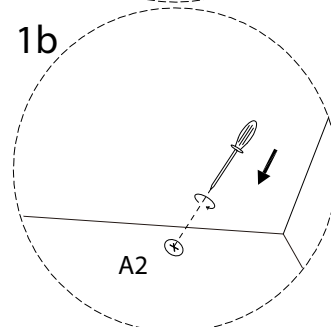
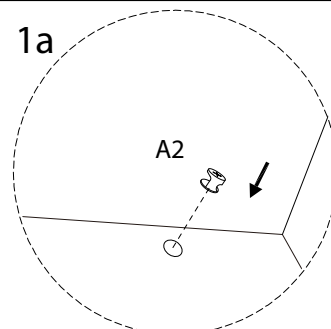
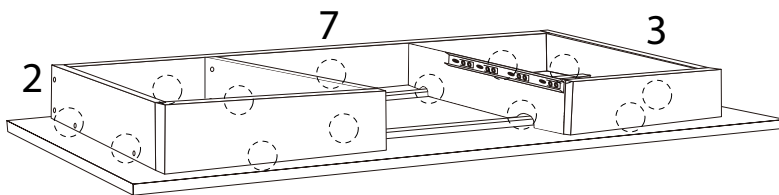


13

A2

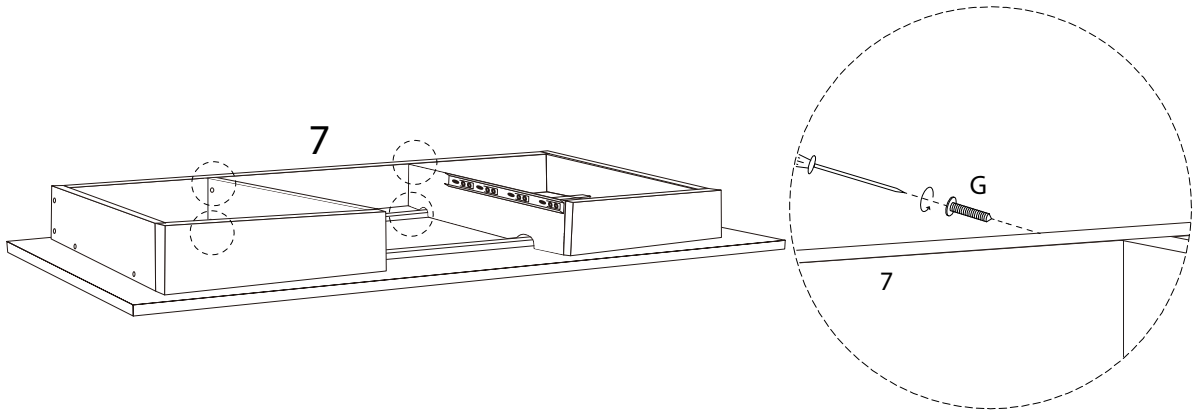


x 13



14

G  
M5  
x  
50  
x 4

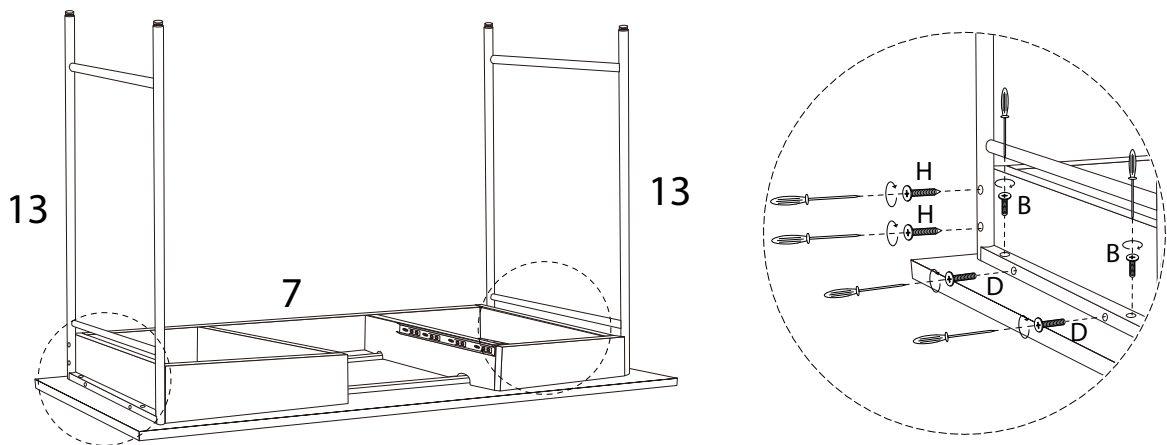


15

B  
M6  
x  
25  
x 4

D  
M6  
x  
45  
x 4

H  
M5  
x  
70  
x 4



16

14



x 2

C

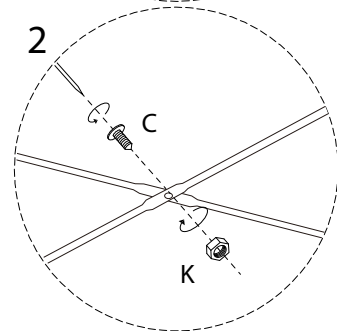
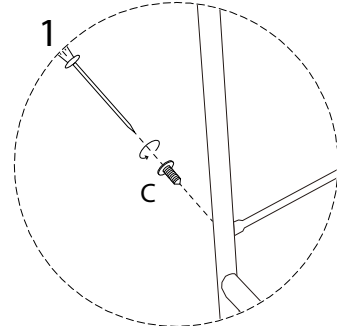
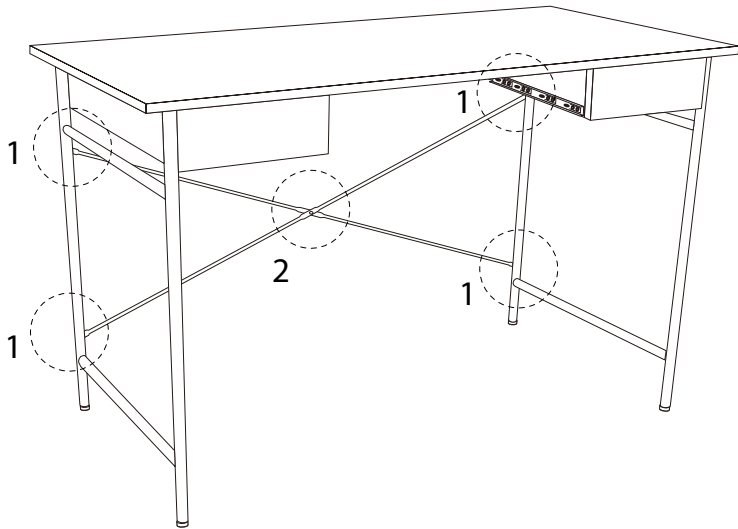


x 5

K

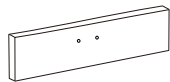


x 1



17

8

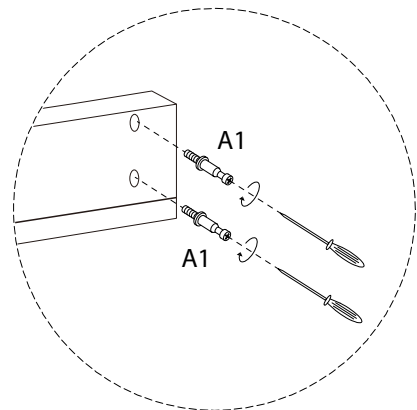
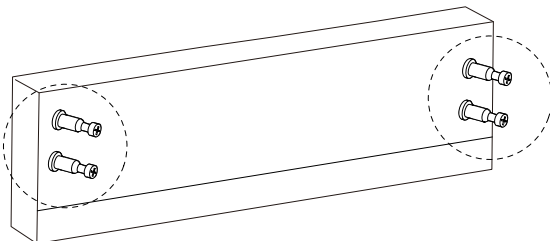


x 1

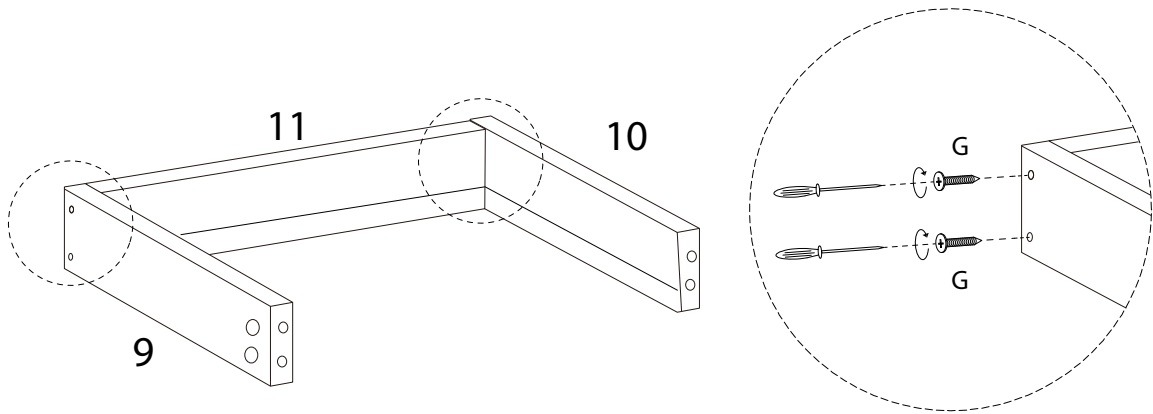
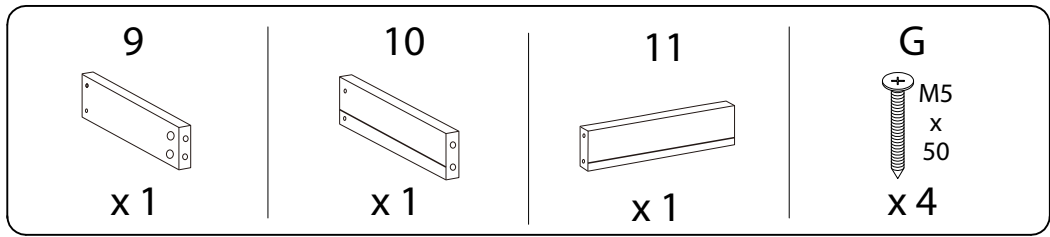
A1



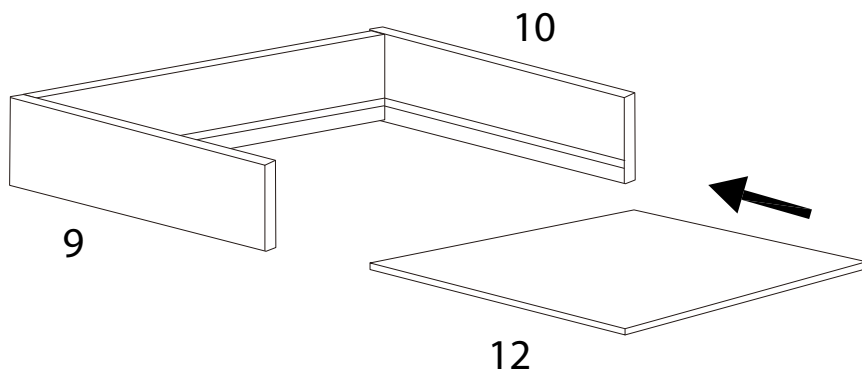
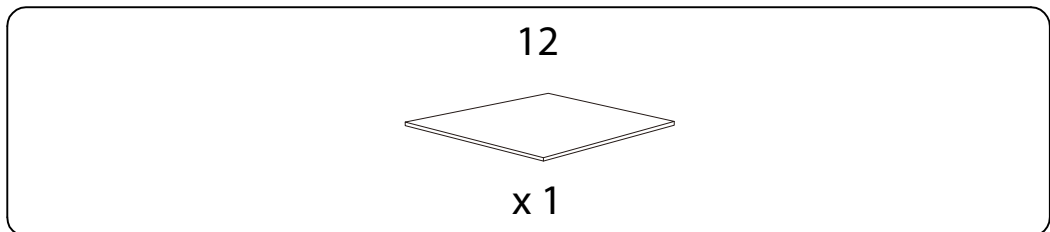
x 4



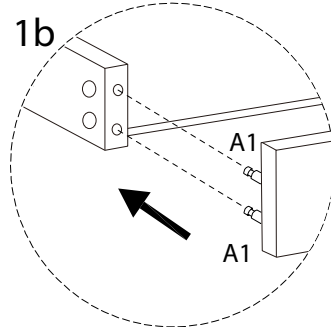
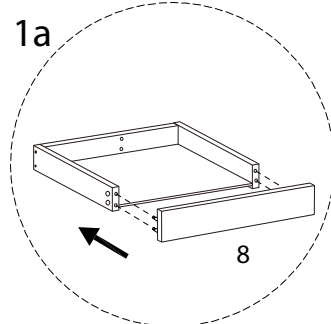
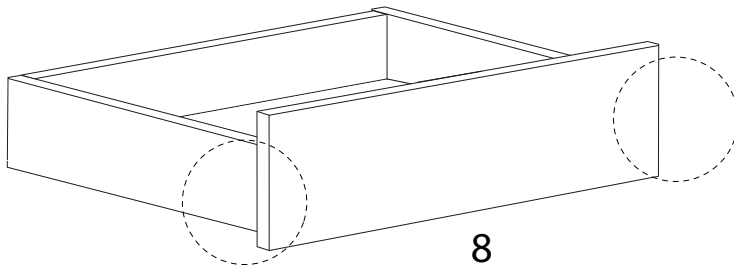
18



19



20

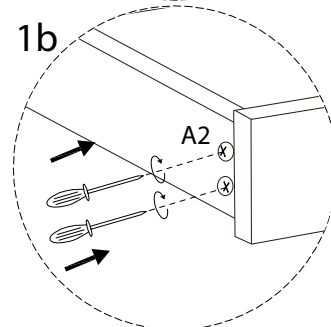
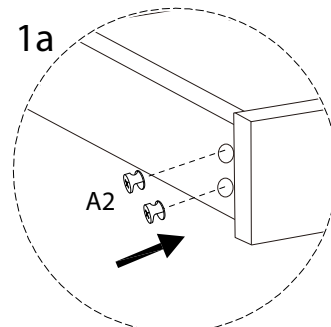
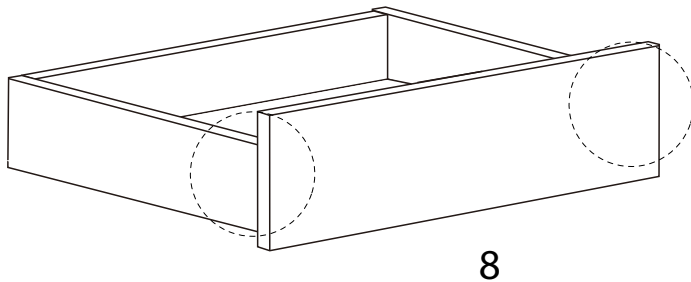


21

A2



x 4



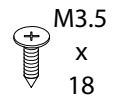
22

N

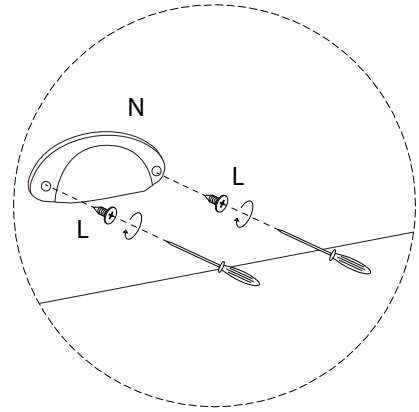
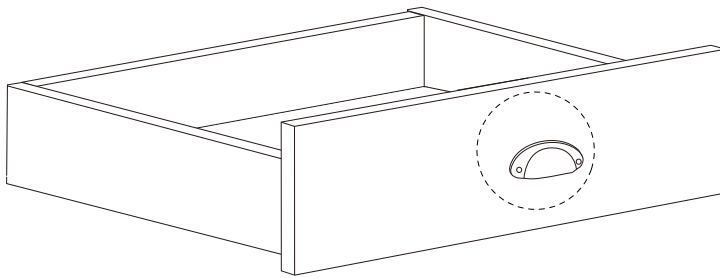


x 1

L



x 2



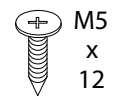
23

E2

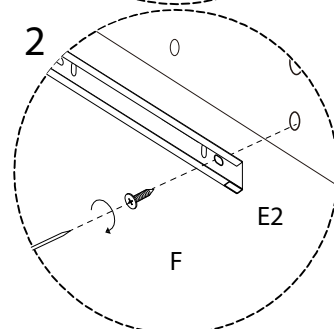
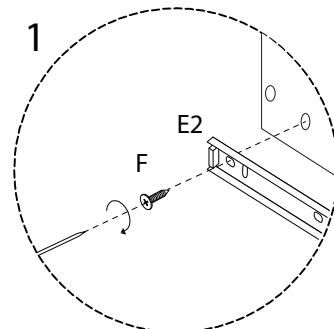
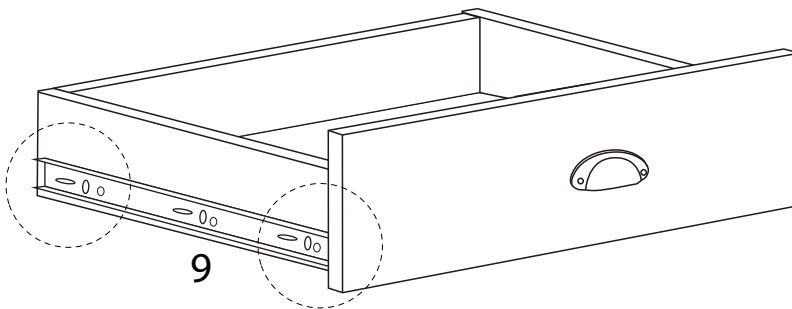


x 1

F



x 2



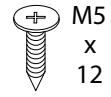
24

E2

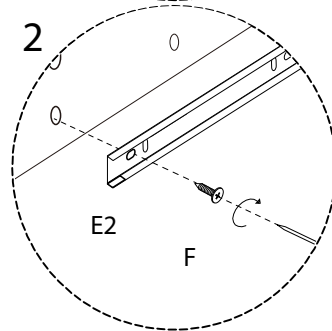
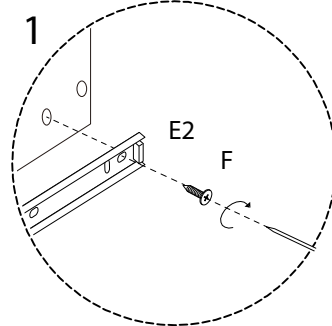
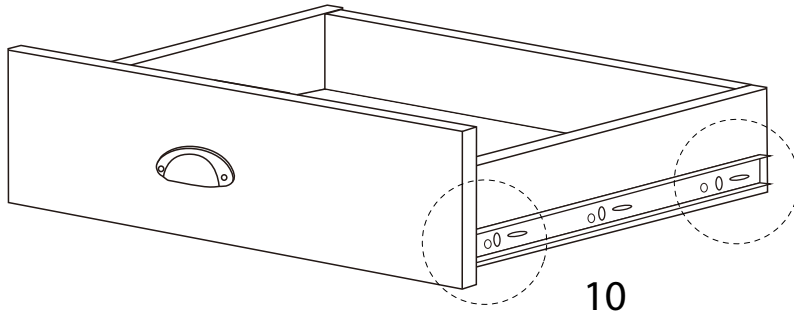


x 1

F



x 2



20

