

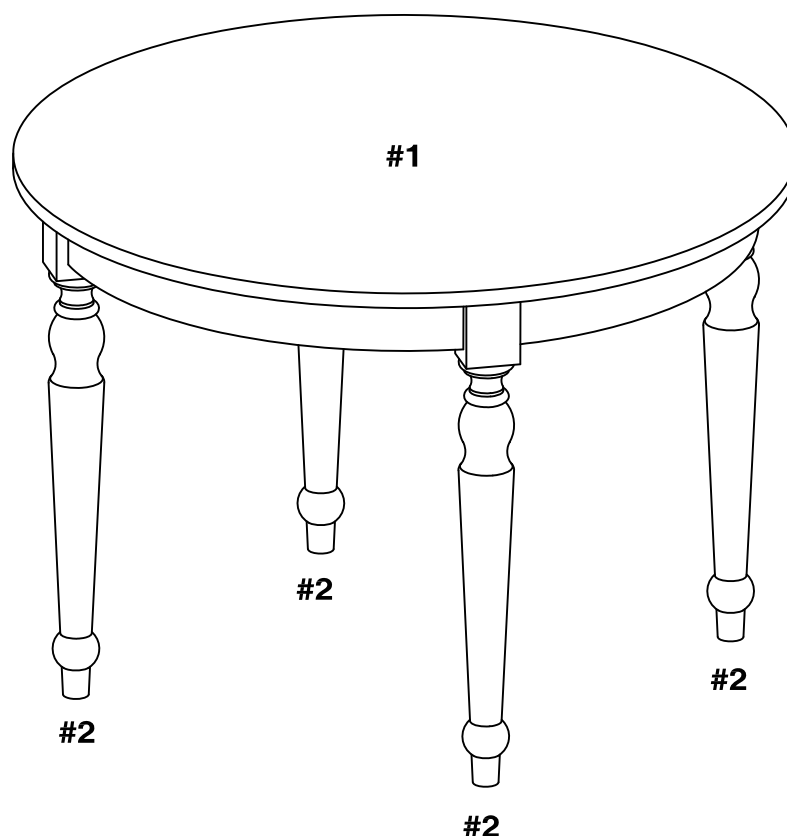
## ROUND DINING TABLE






**We are here to help! Before you return it - contact us.**

### Part List

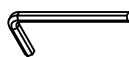
#1	Table top	01
#2	Leg	04



### Hardware List

A	Bolt (Ø8x70mm)		08
B	Flat washer		08
C	Spring washer		08

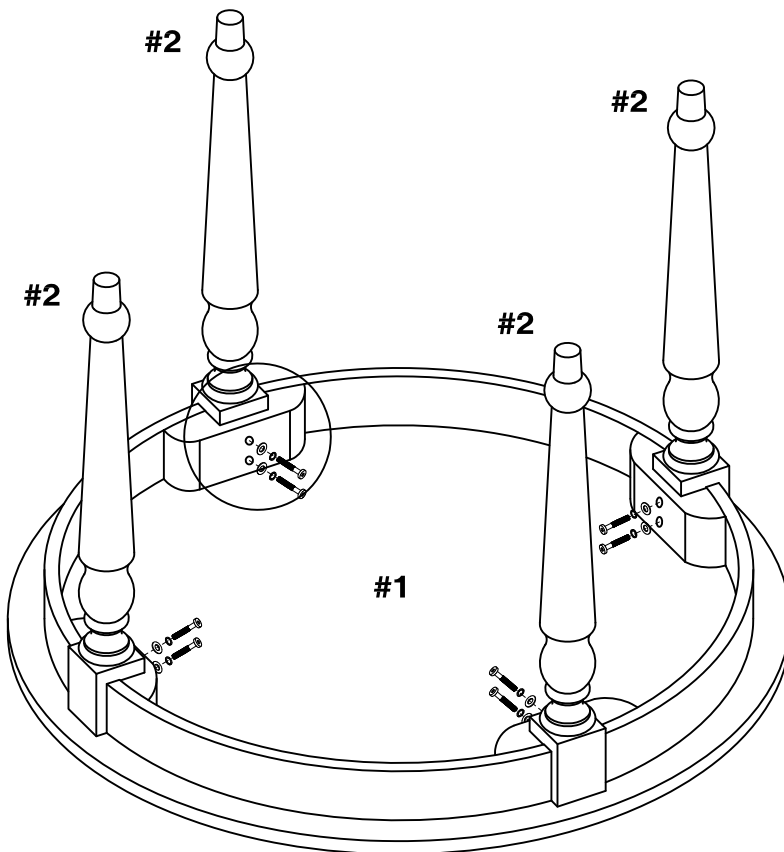
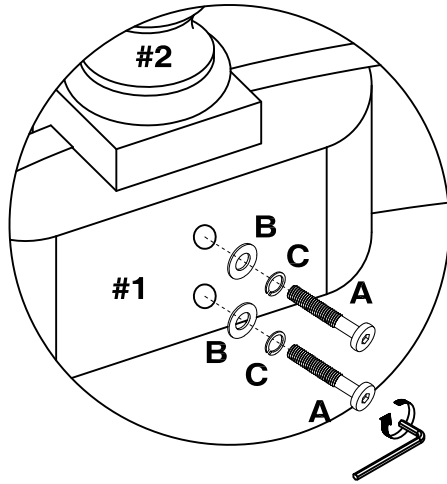
### Tools Required




Allen key		Supplied
-----------	---	----------

### IMPORTANT:

1. Do not tighten bolts completely until all bolts are completely lined up and inserted into holes / nuts.
2. Do not over tighten screws and bolts to avoid stripping.
3. Please use hand tools to assemble this product. Do not use power tools.

1.



A		08
B		08
C		08

MADE IN CHINA  
FABRIQUÉ EN CHINE  
HECHO EN CHINA