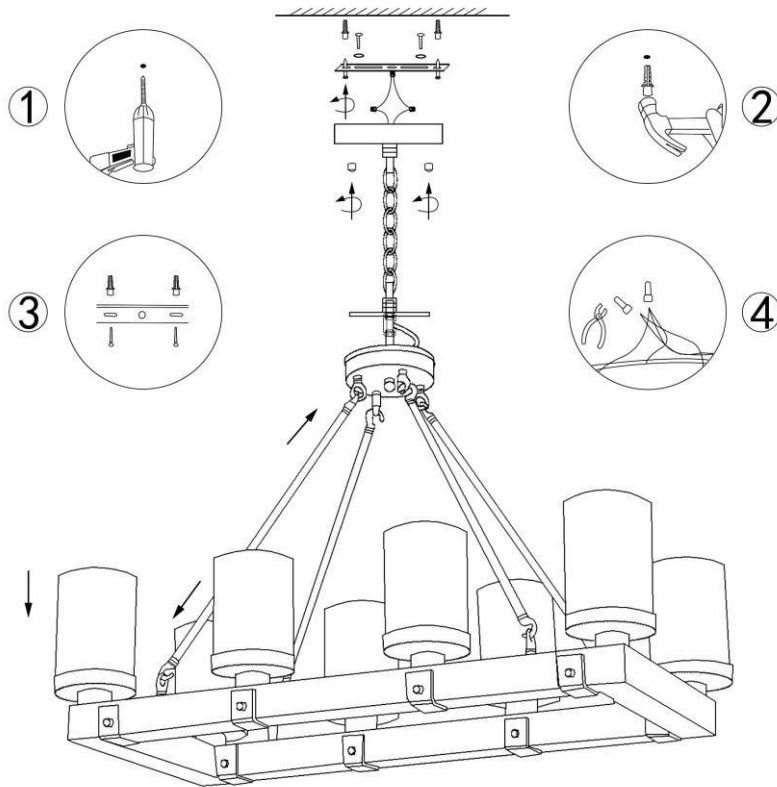


Assembly Guide

Installation Instructions



- 1.Applicable voltage: 110v-240v (50HZ).
- 2.Please install this lamp by a professional electrician.
- 3.Please wear gloves during installation in case of scratching the lamp surface.
- 4.Keep the installation enviroment ventilating and dry.
- 5.Keep the lamp away from corrosivre chemical and air such as acid and alkali.
- 6.Please don't wash it with water,but wipe it with a soft cloth.
- 7.During replacing the bulbs,remember to cut the power off.