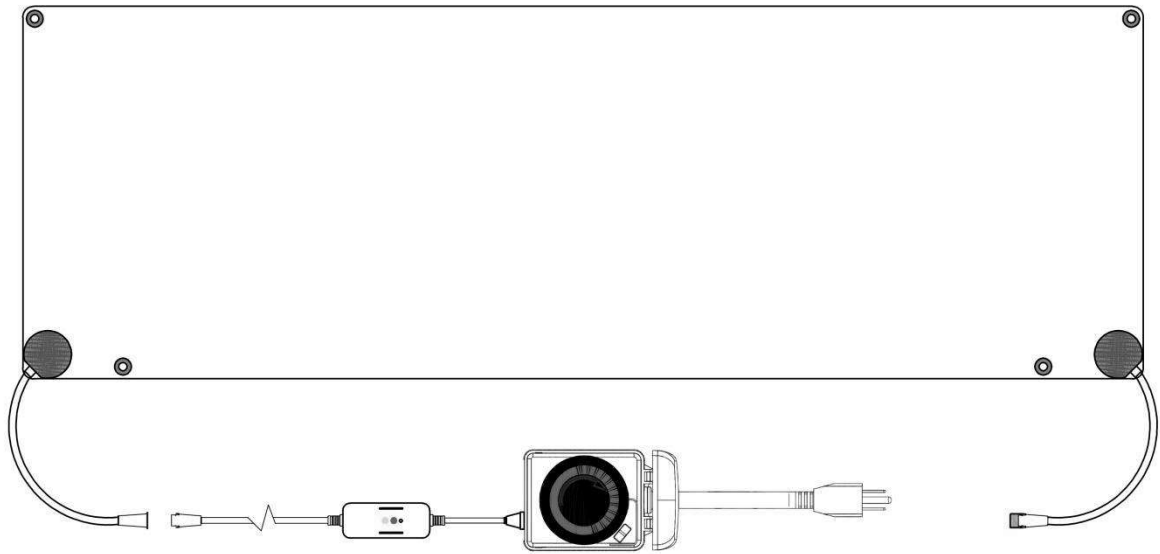


SNOW MELTING MAT

Instructions -please keep for future reference



SKU:RXD001-1B1A0

SIZE:20*60inch*1

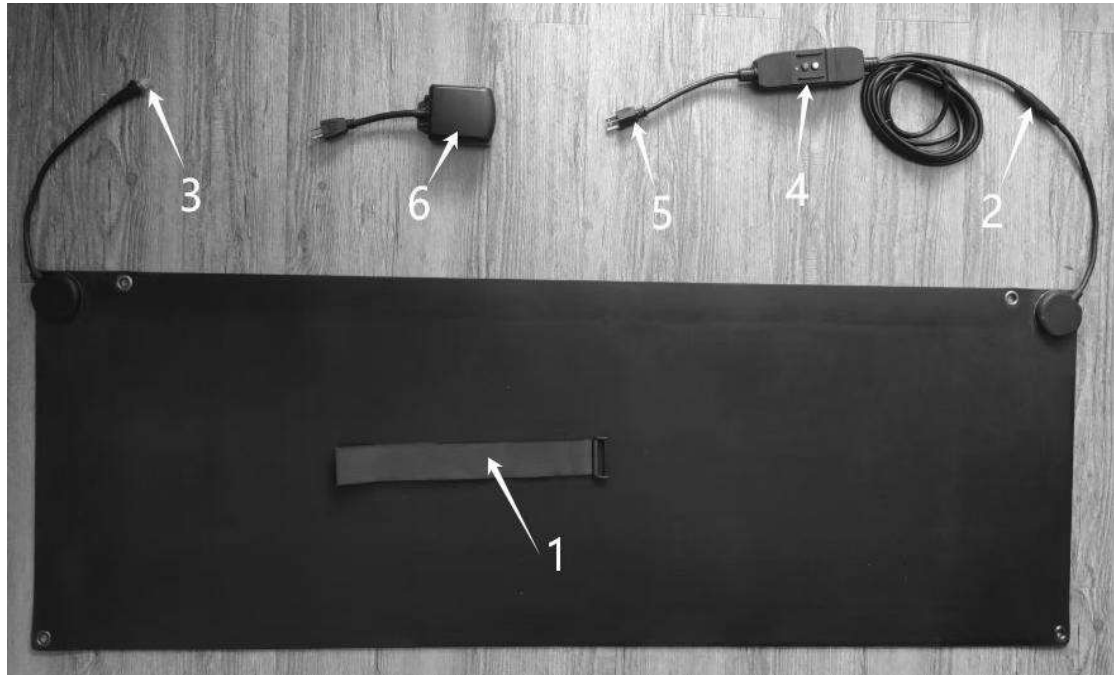
Any question please feel free to contact us:
support@albott-us.com TEL:(901)347-2181
We will provide further assistance within 24 hours

Important -Please read these instructions fully before starting to use

TABLE OF CONTENTS

PRODUCT STRUCTURE DIAGRAM.....	2
OUTDOOR TIMER.....	3
TECHNICAL PARAMETER.....	7
SAFETY PRECAUTIONS.....	7
INSTRUCTIONS FOR USE.....	8
SCOPE OF APPLICATION.....	11
COMMON FAULT ANALYSIS.....	12

PRODUCT STRUCTURE DIAGRAM



Serial number	Product name
1	Touch fastener
2	Cable connector
3	Indicator Light
4	Leakage protector
5	Plug
6	Timer

Note:The above picture is for reference only. The specific product appearance and color are subject to the actual product!

- 1.Touch fastener: Store the snow melting mat.
- 2.Cable Connector: Used for cable connection.
- 3.Indicator Light: Used to show working status.
- 4.Leakage protector: With overload and short circuit protection.
- 5.Plug: Power supply can be connected.
- 6.Timer:Used to control working hours.

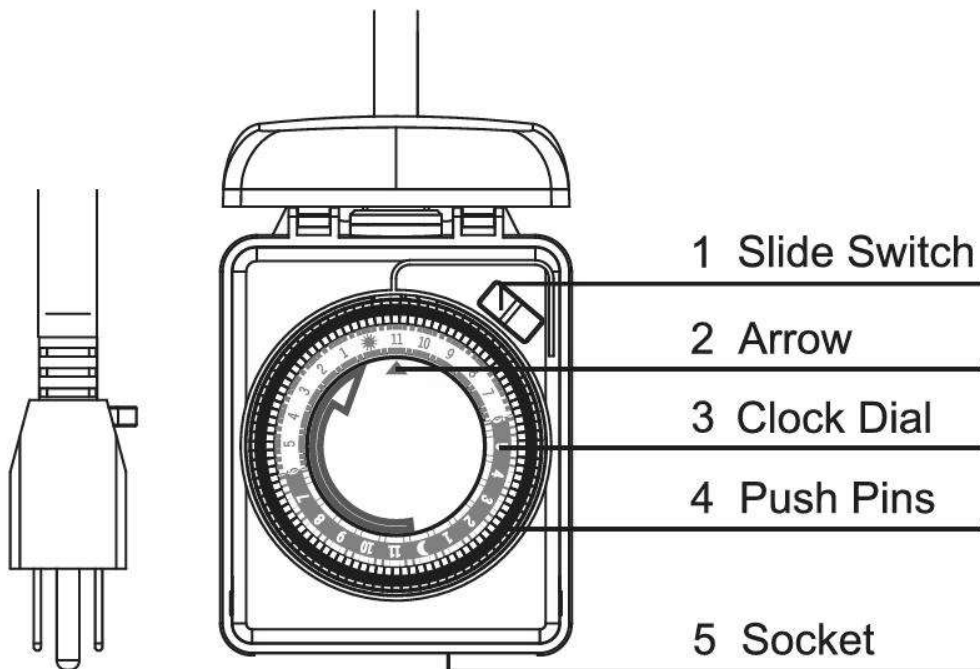
OUTDOOR TIMER



Intertek
3173845

ENERGY
SAVING

PRODUCTS VIEW



- ① **Slide Switch:** Slide the switch down for timing. Slide the switch up for always ON.
- ② **Arrow:** Indicates the current time of day.
- ③ **Clock Dial:** Black Part=6PM-6AM Hours; White Part=6AM-6PM Hours.
- ④ **Push Pins:** Each pin represents 15 minutes. Pins down =ON; Pins up =OFF.
- ⑤ **Socket:** 2x15R socket
Only intended to be used with a grounded device.

RATINGS

Rated Voltage:125V,60Hz

Max.Loading:15A Max.1875W Resistive or General Purpose. 8A Tungsten Lamp.
1/2 HP TV-5.

RATINGS

- Use a grounded outlet
- Follow local electrical codes
- For indoor/outdoor use
- Keep children away
- Unplug timer before cleaning

- Fully insert plug
- Do not use in wet locations
- Do not exceed electrical ratings

APPLICATIONS

- | | | | |
|--------------|------------------|------------------|--------------|
| •Lighting | •Cooling systems | •Heating systems | •Sprinklers |
| •Humidifiers | •Aquariums | •Nebulizers | •Ventilators |

OPERATING INSTRUCTIONS

Step 1. Set a period of time for the unit to be "ON"

Make sure all pushpins are in the UP position before beginning. Locate the pushpins and push them down at the marked times when the attached device is to be "ON". Each pin represents a 15-minute time interval. Example: "ON" time is 7:00PM, "OFF" time is 9:30PM. Push down all of the push pins between 7:00PM and 9:30PM. (Fig 1)

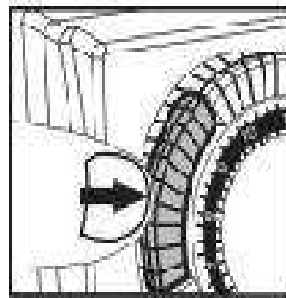


Fig 1

Note: Push pins are slices around the dial.

Step 2. Set the "CURRENT TIME"

Rotate the entire push-pin dial clockwise until the arrow aligns with the current time of day on the dial.

Example: It is 6:00AM, please rotate the dial clockwise until the arrow aligns 6AM on the dial. (Fig 2)

Note: Please pay attention to AM/PM

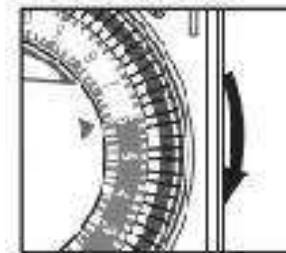


Fig 2

Step 3. Set "BYPASS SWITCH"

When the switch is up in ON position, the unit will bypass the programming and your attached device will remain ON. When the switch is down in "⊕" position, the unit will automatically turn your attached device ON and OFF according to the programmed time. (Fig 3)

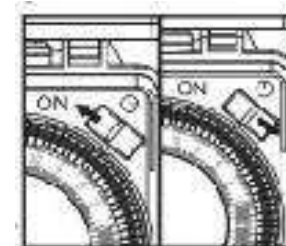


Fig 3

Step 4. Insert the plug of the timer into a wall socket

You may fix the timer on the wall with the two hang holes. (Fig 4)

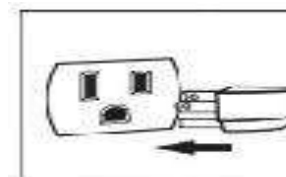


Fig 4

Step 5. Attach one or two devices to the unit

Plug a device into either socket on the bottom of the timer. Make sure that the attached device is switched ON. The timer can control two devices. (Fig 5)

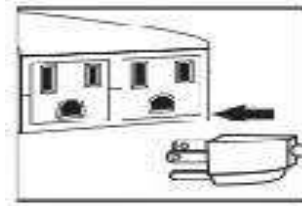


Fig 5

HELPFUL TIPS

This timer repeats the same settings daily.

1. To push down or pull up the pushpins, use your finger or the tip of a small instrument such as a pen or pencil.
2. You can set up to 48 different "ON" and "OFF" times in a 24-hour period. Push pins pressed down represent the "ON" time, push pins in the up position represent the "OFF" time.
3. When the switch is up in the ON position, the unit will bypass programming, however, the timer dial will continue to rotate and maintain the current time.
4. Unit will stop operating if the power goes out. Once power is resumed, reset the time of day as explained in Step 2 of the instructions.

TROUBLESHOOTING

● **PROBLEM:**

Appliances do not turn on as programmed.

○ **POSSIBLE CAUSE:**

Connected appliances are not in "ON" position; they are not functioning; timer is not receiving power, or "BYPASS SWITCH" is up in ON position.

○ **CORRECTIVE ACTION:**

Ensure the connected appliances are functional by plugging them directly into the outlet. Be sure the connected appliances are in the "ON" position if they have their own switch. Make sure the power outlet which the timer is plugged into is active.

Check that the "BYPASS SWITCH" is down in "⌚" icon.

● **PROBLEM:**

Appliances come on before or after programmed times.

○ **POSSIBLE CAUSE:**

"CURRENT TIME" was not properly set

○ **CORRECTIVE ACTION:**

Check that the current time is correctly set. Note that the black section includes hours from 6 pm to 6 am and the white section includes hours from 6 am to 6 pm.

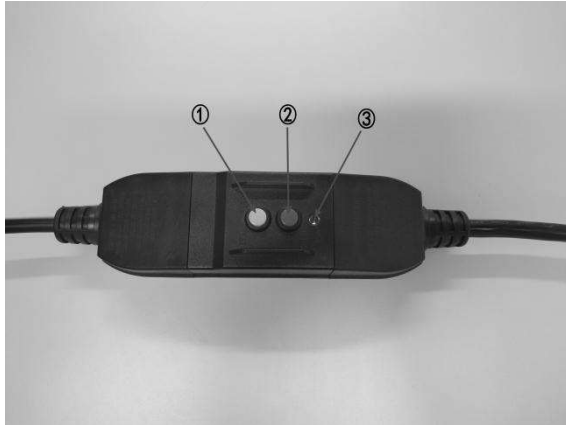
TECHNICAL PARAMETER

Model	JST-2	JST-3	JST-5
Rated Voltage	120V~60Hz	120V~60Hz	120V~60Hz
Rated Power	90W	360W	450W
Product Size	762*254*4.6mm	1545*510*5.0mm	1235*770*5.4mm

SAFETY PRECAUTIONS

When you use this product, pay special attention to the following:

1. Keep the leakage protection and the plug dry.
2. This product should not be placed at random after use and should be rolled up after cooling.
3. This product cannot be immersed in water while using. As with all electronic equipment, the risk of electric shock can result in injury or death. When the product is rolled-up, pay attention that it is not over-heat or it will result in damage. If damaged, please immediately stop using, and cut off the power cords.
4. The product should not be close to the fire source or high-temperature object, because the material outside is easy to melt.
5. When the product is in use, the voltage and frequency must meet the requirements. Do not drag the power cord when it is working. When not using this product, please pull out the plug. If children are there around the working product, they should be accompanied by a guardian.
6. It is strictly forbidden to touch products (such as plugs, connectors, digital devices, etc.) with wet hands.
7. Do not cover the product, so as not to overheat damage the product itself and the attached items.
8. When the product is rolled up and overlapped, it will be damaged if it is hot. If there is any damage to the product, please immediately stop using it.
9. Turn off the power when not using the product or leaving for a long time.
10. When using this product, if there are children, they should be accompanied by adults. Since children have no safety protection awareness, they are prohibited from touching the product for avoiding injury.
11. It is strictly prohibited to repair without permission, otherwise it may cause the risk of electric shock or damage to the product.
12. When using the product, pay attention to make it flat and not be wrinkled, or it will easily cause unnecessary damage.



Remember: Test before every use!

①Test button: After the power supply is powered on, the indicator light is on, press the "test" button, hear the sound of "snap" disconnect, and the indicator light on the leakage protection is off, indicating normal use.

②Reset button: Press the "Reset" button, the indicator lights up, and you can use it.

③Pilot lamp: Displays whether the function works properly.

Note:

If you press the "Test" button, it cannot be disconnected, or after pressing the "reset" button, it cannot be locked, indicating that the leakage protector or the electrical appliance is faulty; If the leakage protector is faulty, the leakage protection indicator will flash to remind, and the leakage protection needs to be replaced.

INSTRUCTIONS FOR USE

Just place it on any surface with ice or snow, turn it on, and it will thaw automatically.

It can melt snow and ice up to 2 inch thick in one hour. By keeping the mat powered, you can keep any surface free of snow or ice.

Connect the mat and power

The snow melting mat kit are equipped with a dedicated power supply. The total power of the snow melting mat in series cannot exceed 1500W, and supports:

- JST-2 Mats (up to 15 of the same specification in series)
- JST-3 Mats pads (up to 4 of the same specification in series)
- JST-5 Mats (up to 3 of the same specification in series)



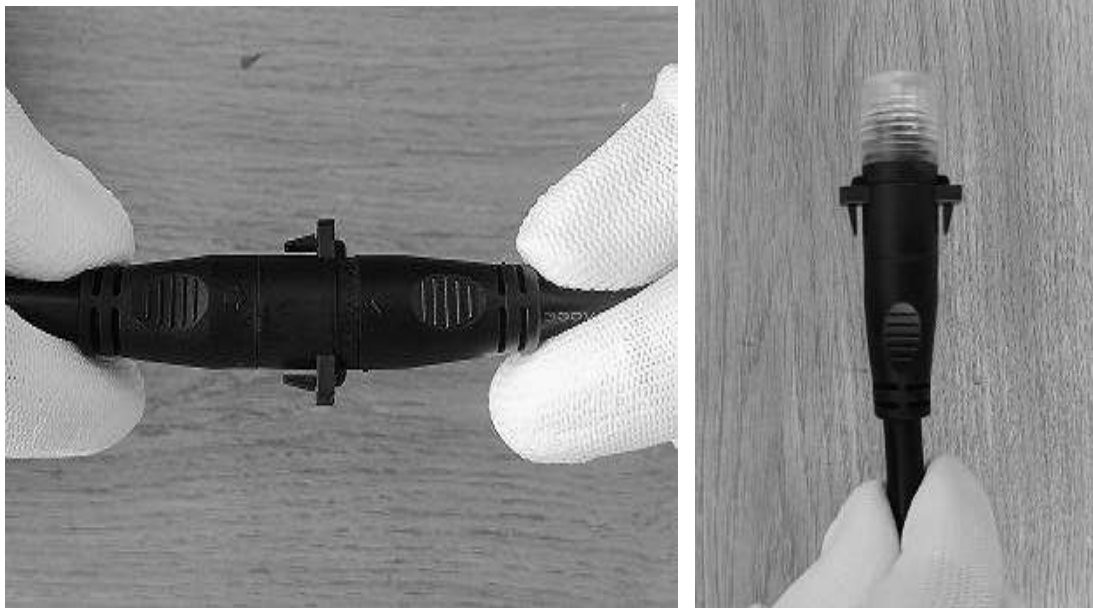
The diagram below shows how to connect a small or large mat to the the leakage protector.



Align the power cable interface with the 3 slots of the connecting cable, insert tightly, and then fasten the rubber sheath.



WARNING: Make sure the two connectors and the rubber bushing are in place between the power cable connections . Place a cap indicator on the port of the unused connector to protect it from moisture .



Here's an image of how to connect two or more pads:



Please connect the timer as follows



SCOPE OF APPLICATION

(1) Mainly used for park gates, courtyard corridors, outdoor stairs, hotel gates, supermarket gates. Melt snow on ramps, entrances, roofs, etc. Both for home and industrial uses.

(2) It is suitable for the ground with ice and snow. When our product is placed on the ground and powered on, it will automatically melt snow, providing pedestrians with safe walking and avoiding slip and fall accidents.

(3) After 1 hour of electrification, it can melt ice and snow with a thickness of 2 inch, and it can always be electrified to keep the road surface clean and free of snow.

Allowable work temperature range: $\geq -20^{\circ}\text{C}$.

COMMON FAULT ANALYSIS

Fault Phenomenon	Cause	Solution
No action after booting	<ol style="list-style-type: none"> 1. No power in the socket. 2. The plug may not in a good connection. 3. Cable connector loose 4. Leakage protection switch action, the power is cut off. 5. If the above operation is checked, the snow melt pad still does not work normally. 	<ol style="list-style-type: none"> 1. Repair electrical outlets or replace other outlets. 2. Reconnect the plug to ensure a reliable connection between the plug and socket. 3. Check all cable connectors and lock the interface card to ensure that the cable ports are reliably connected. 4. Check whether the product is damaged and whether the cable connector is flooded (unplug the power plug before checking). If the product is not abnormal, reconnect the power supply and check whether the snow melt pad is hot. 5. Please contact after-sales service for assistance.

Made In China