

**Installation notes:**

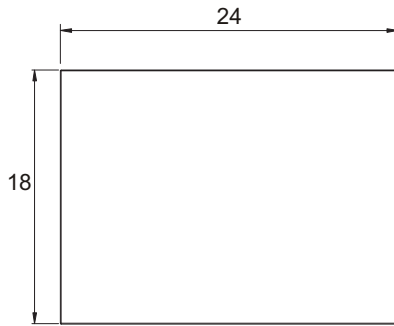
Faucet and silicone are not included.  
All sizes are subject to tolerance.

**Sink assembly**

Install the faucet to the top and drains to the sink. Refer to the faucet and drain manufacturer's instructions.  
Complete the faucet connections. Run water and check for leaks.  
Apply a bead of silicone behind the top surface to the finished wall.

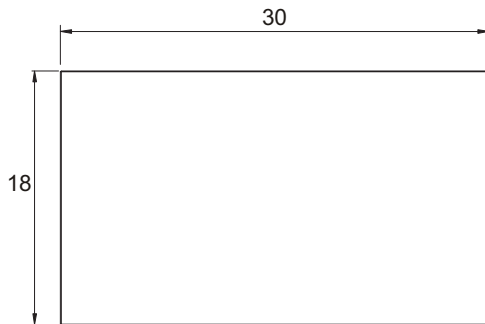
**SOLID SURFACE TOP**

Top view of sink



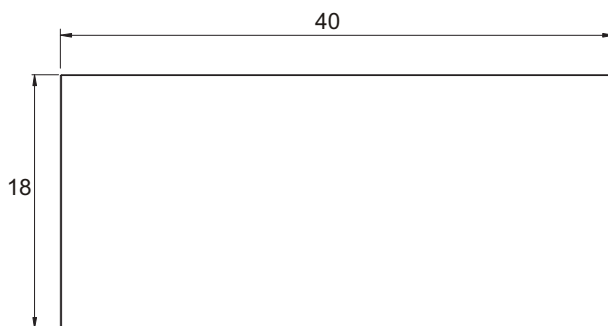
**SOLID SURFACE TOP**

Top view of sink

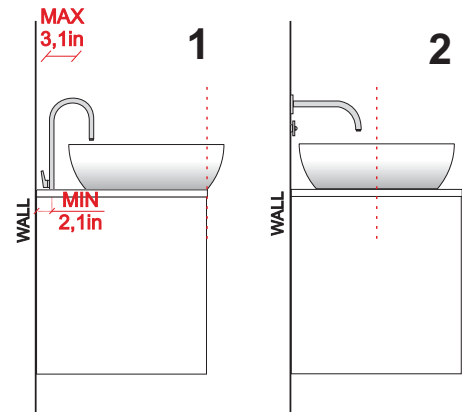
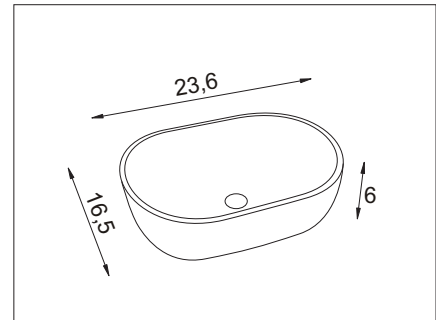


**SOLID SURFACE TOP**

Top view of sink



**CERAMIC BASIN**



**SOLID SURFACE BASIN**

