





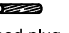





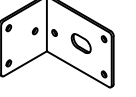
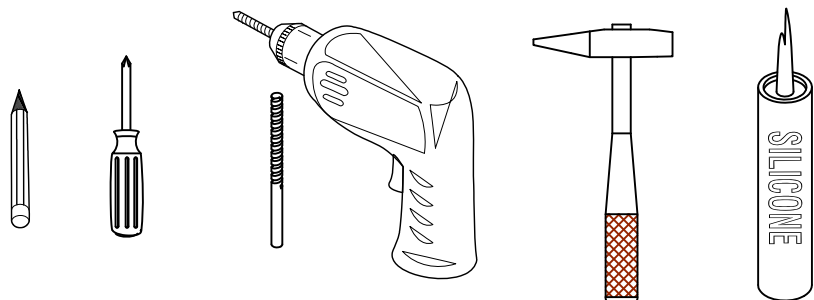


# Item NO.:BV B03560

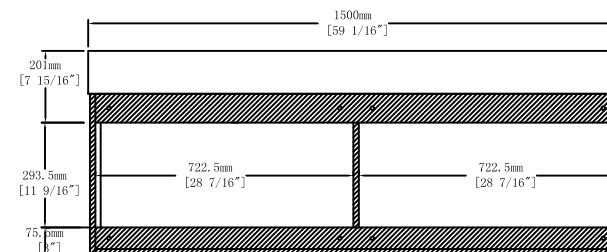
## Hardware

NO.	Draw	QTY	NO.	Draw	QTY
A	 Screws Ø4x14mm	80	H	 Bracket (19x19x35mm)	2
B	 Two-in-one connector	24	I	 Hinges (Internal hiding)	4
C	 Two-in-one connector	24	J	 Hinges (Half cover)	4
D	 Wood plug	5	K	 Screws Ø4x25mm	1
E	 Plastic anchor(Ø10mm)	8	L	 Anti-collision gasket	8
F	 Screws for fix on the wall	8	M	 Screwdriver	1
G	 Bracket (53x70x44mm)	4			

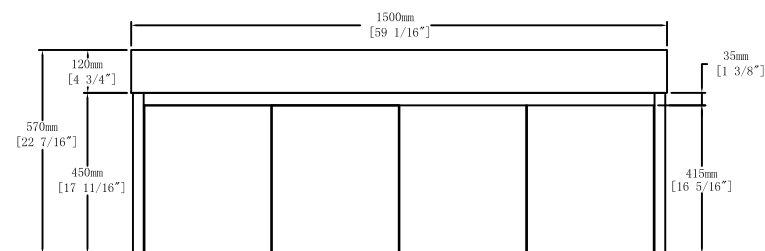
## Recommended tools



## Dimensions



Back View

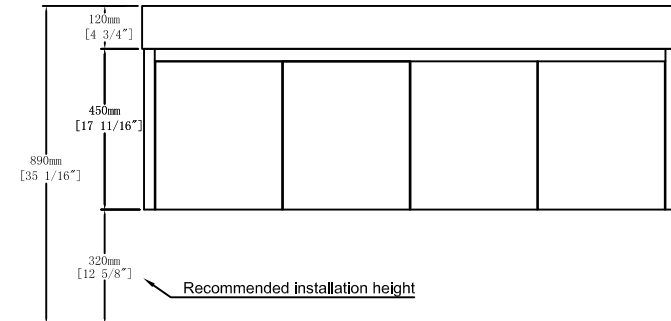


Front View

## CARE CLEANING AND MAINTENANCE

1. Dust regularly with a soft , dry cloth.
2. Avoid the use of all chemicals household cleaners, abrasives, or cleaners that contain lemon, vinegar, or other acids that may damage the finish.
3. Excessive exposure to sunlight and extreme changes in temperature and moisture can damage wood furniture.
4. The sink top is resilient, but care needs to be taken to preserve its appearance.
5. Do not place hot appliances, such as curling irons and hot hair dryers directly on the countertop. Wipe spills immediately.

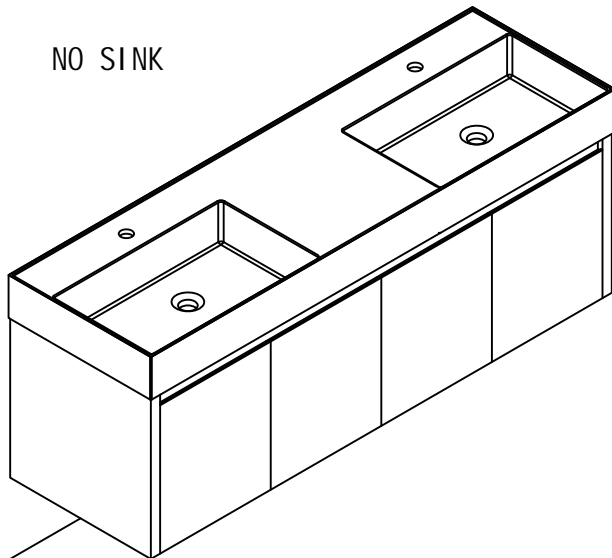
## Dimensions



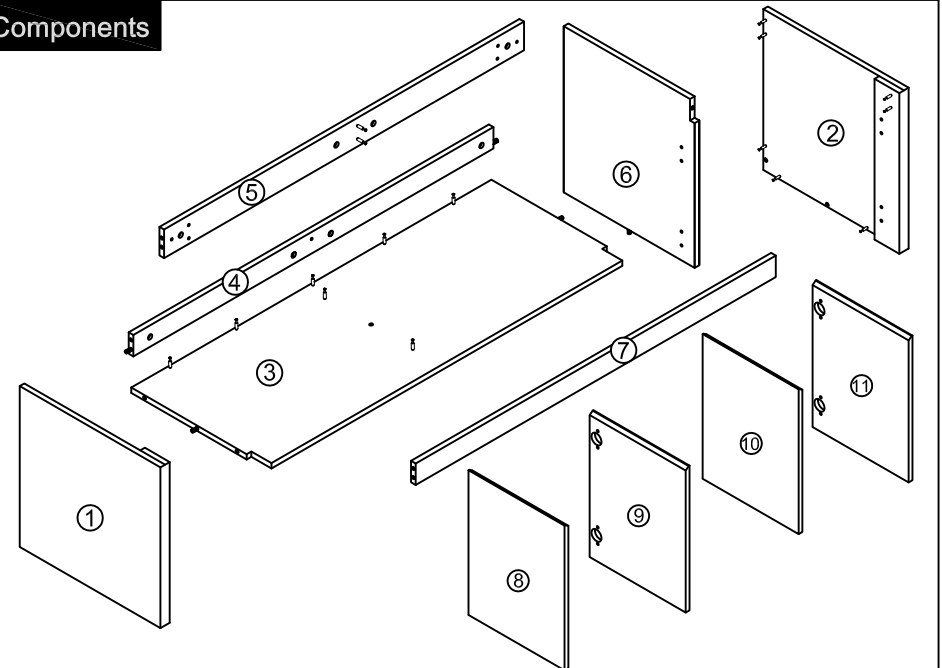
Floor

## Finished

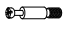

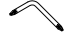
NO SINK

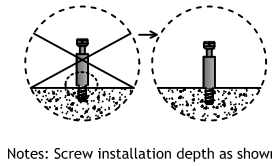
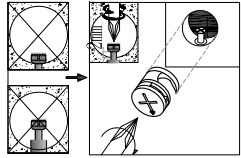
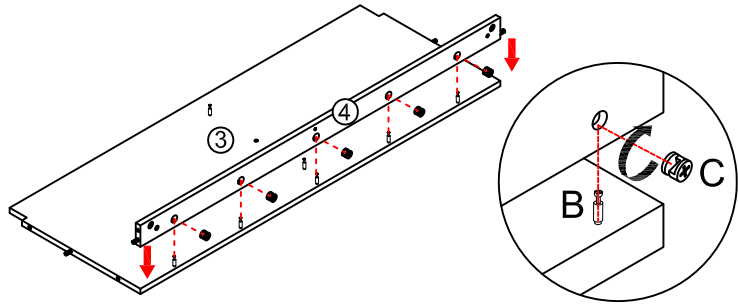


## Components



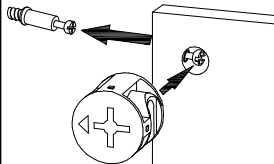
### Step 1

	x5
B	
	x5
C	
	x1
M	


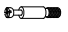






Notes: Screw installation depth as shown

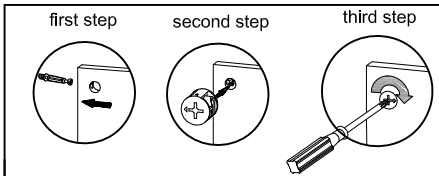
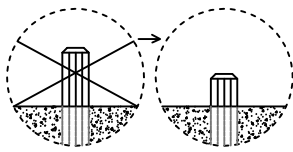
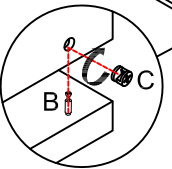
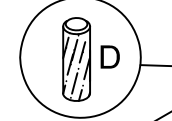
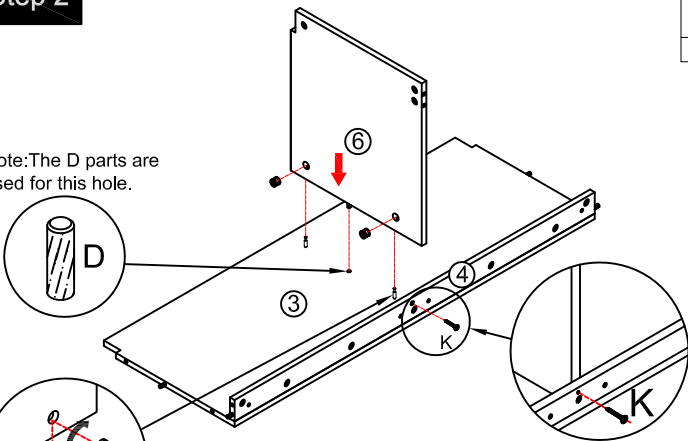
Attention: Cam lock arrow point to the steel rod.





### Step 2

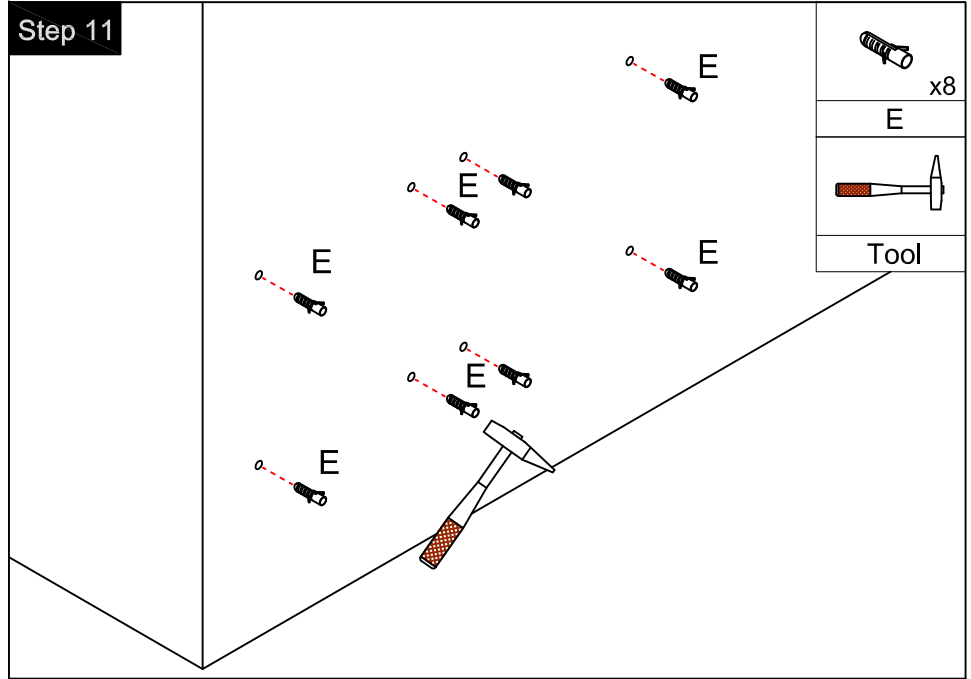
	
Tool	
	x2
B	
	x2
C	
	x1
D	
	( $\varnothing 4 \times 25\text{mm}$ )
	x1
K	
	x1
M	

Note: The D parts are used for this hole.

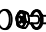



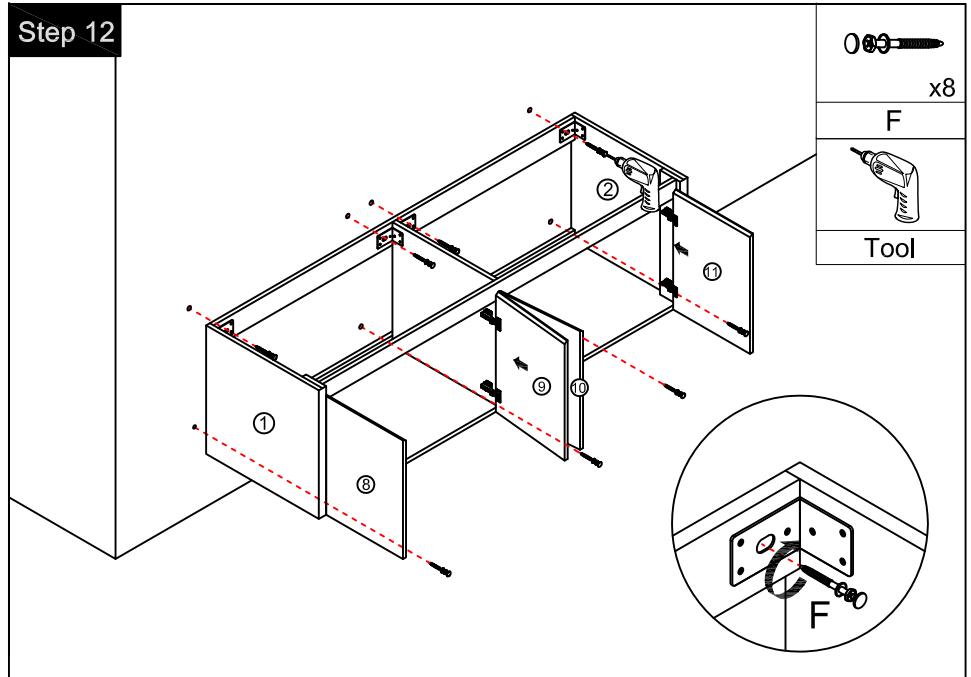
### Step 11

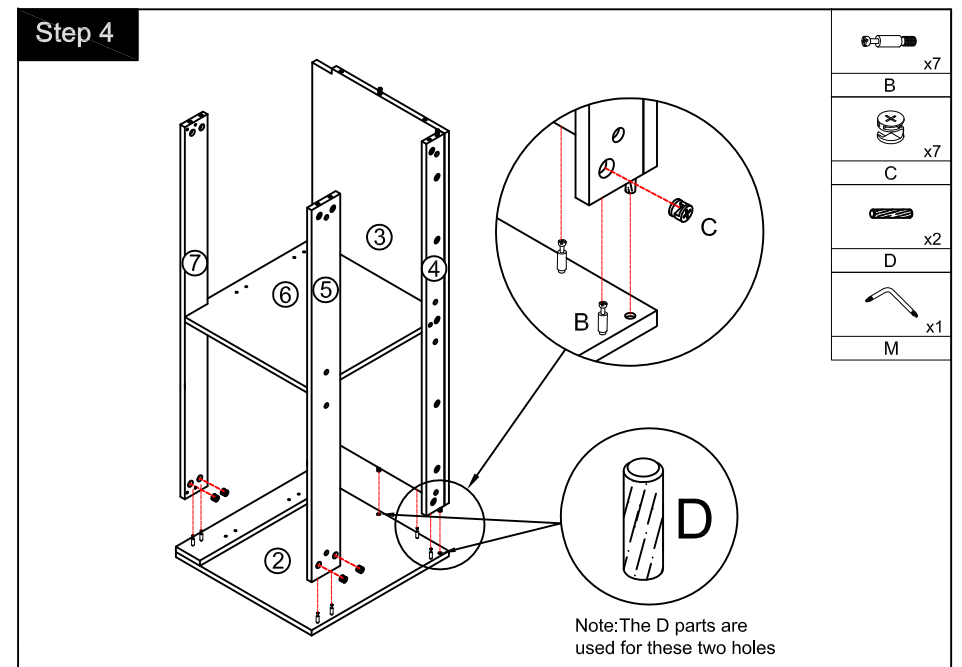
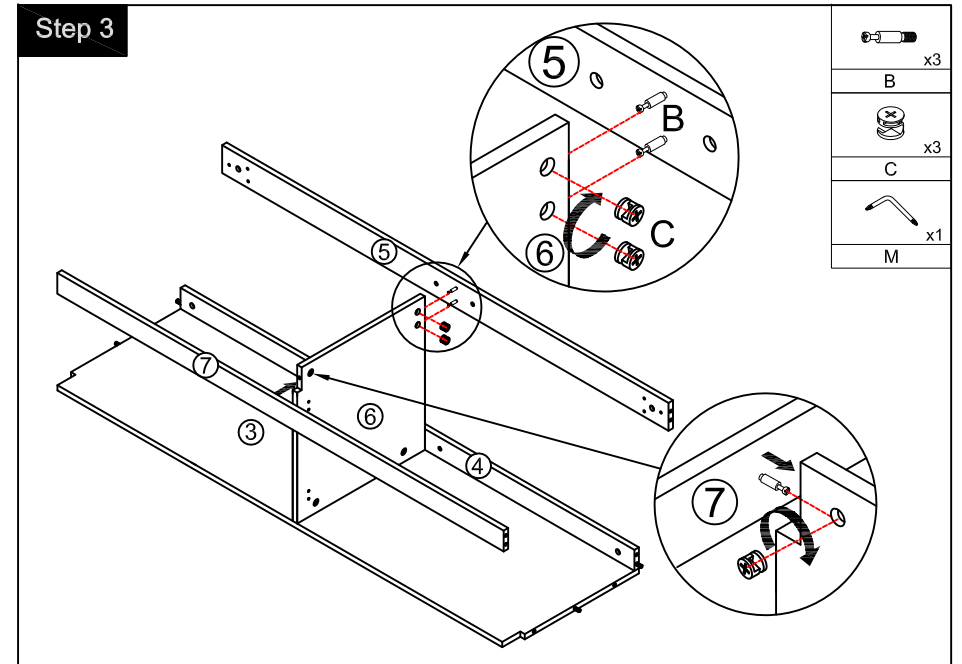
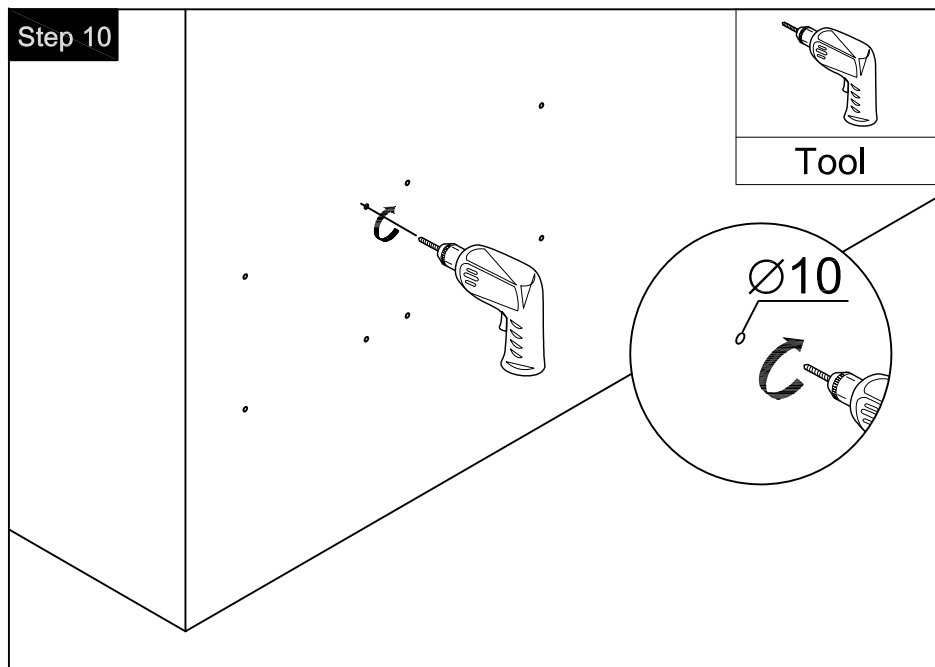
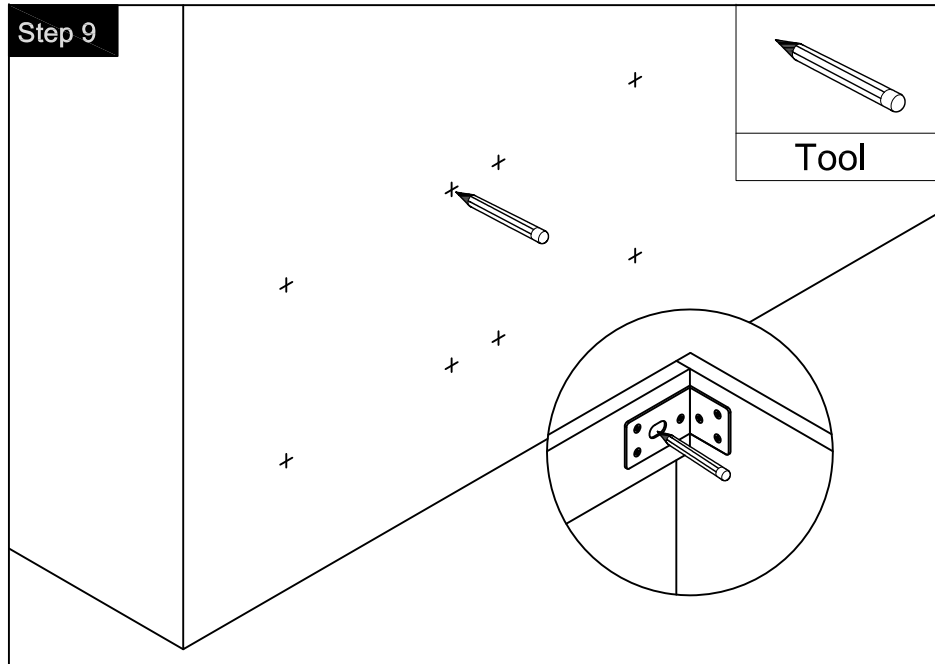
	x8
E	
	
Tool	



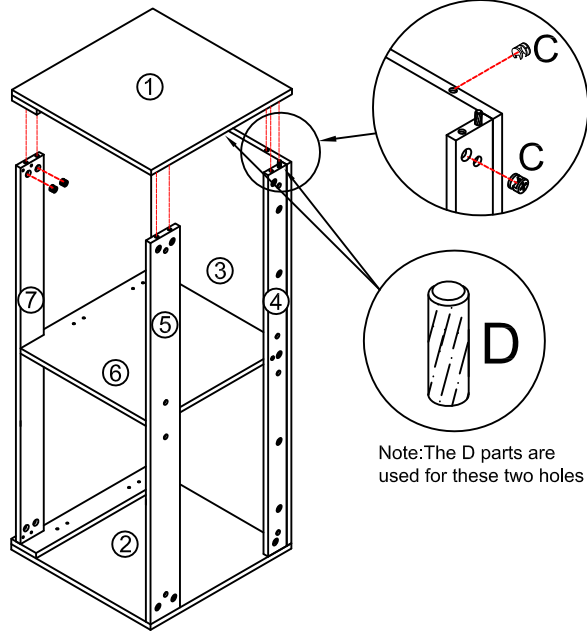
### Step 12

	x8
F	
	
Tool	





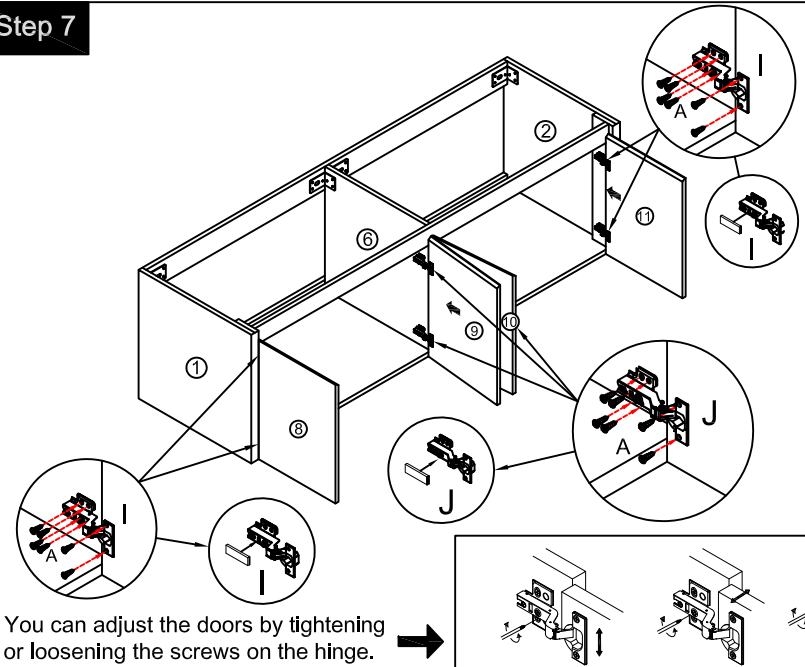
### Step 5



Note: The D parts are used for these two holes

	x7
B	
	x7
C	
	x2
D	
	x1
M	

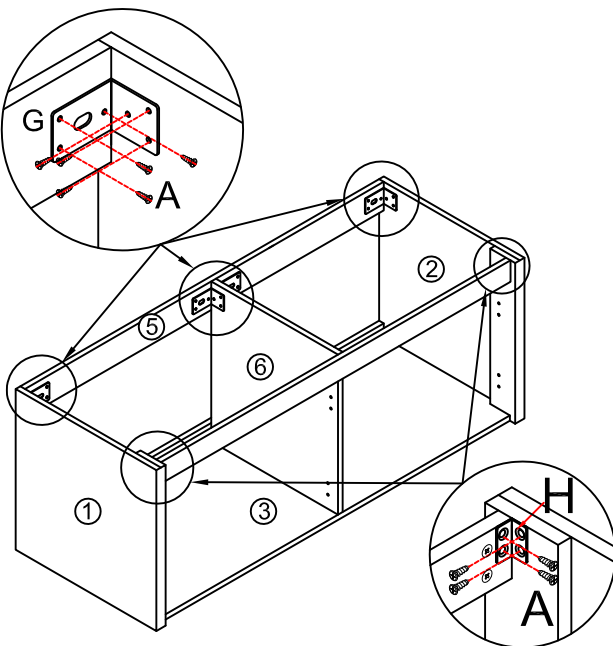
### Step 7



You can adjust the doors by tightening or loosening the screws on the hinge. →

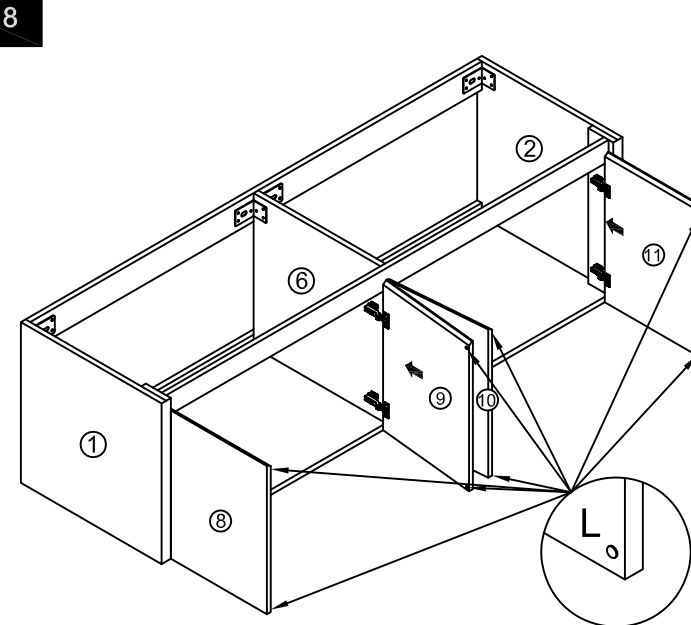
	x4
I	
	x4
J	
( $\varnothing 4 \times 14\text{mm}$ )	
	x48
A	
Tool	

### Step 6



	x4
G	
	x2
H	
( $\varnothing 4 \times 14\text{mm}$ )	
	x32
A	
Tool	

### Step 8



	x8
L	