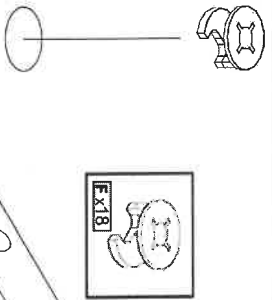
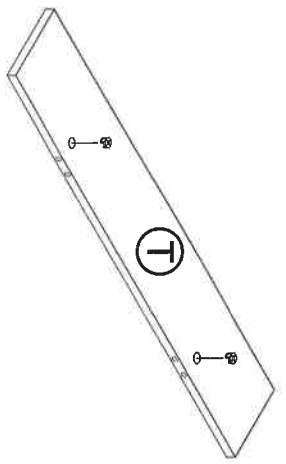


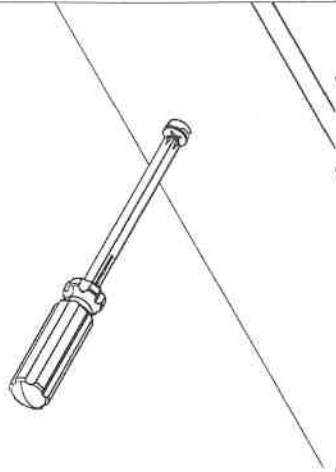
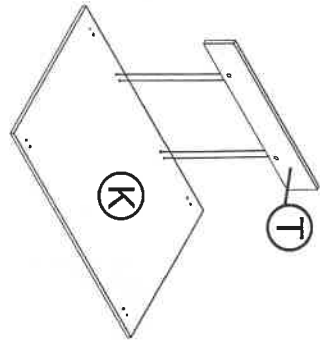
USING TOOLS

- | | | | |
|--------|--------|---------|----------|
| FO x 1 | B1 x 4 | B2 x 2 | B3 x 8 |
| E x 18 | 3.5x16 | 4.0x3.5 | 4.0 x 25 |
| P x 18 | K x 18 | O x 1 | PA x 4 |
| F x 18 | T x 18 | A x 4 | E x 4 |

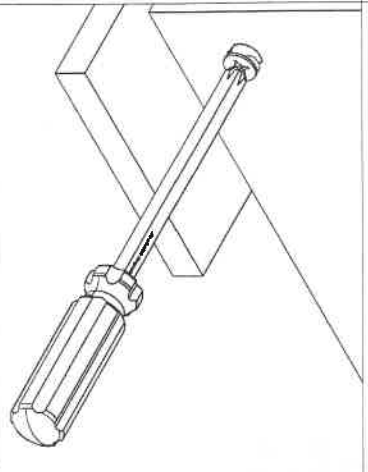
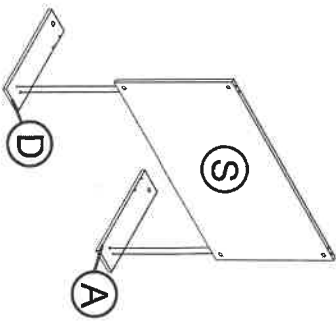
5



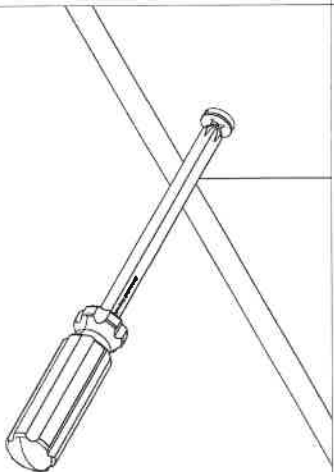
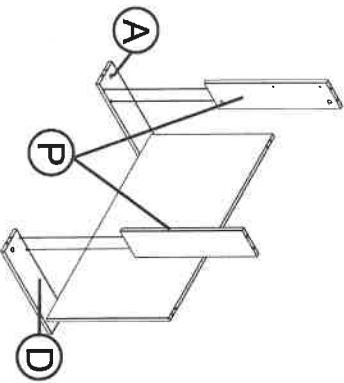
6



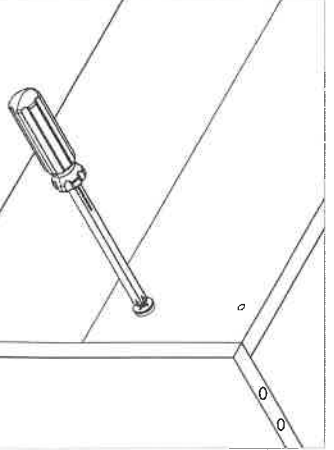
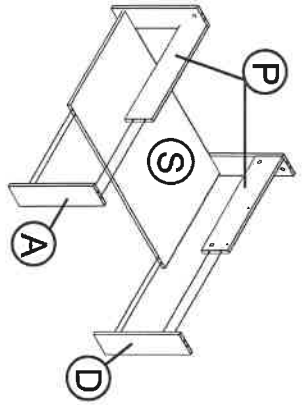
7



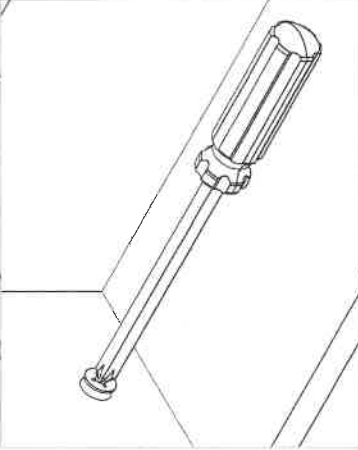
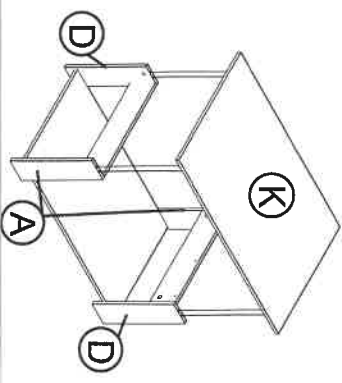
8



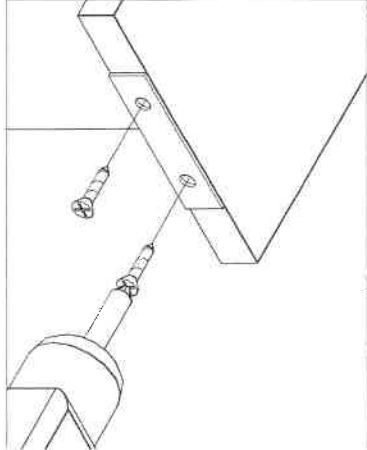
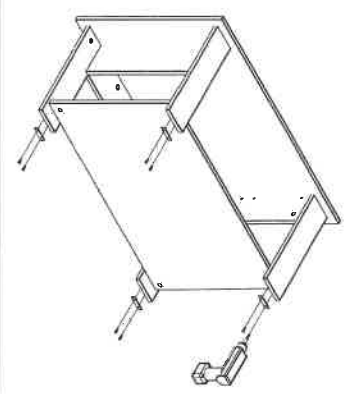
9



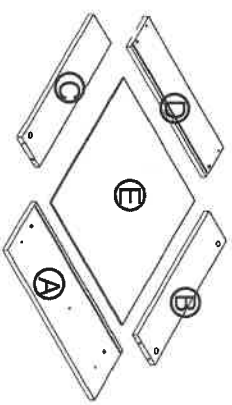
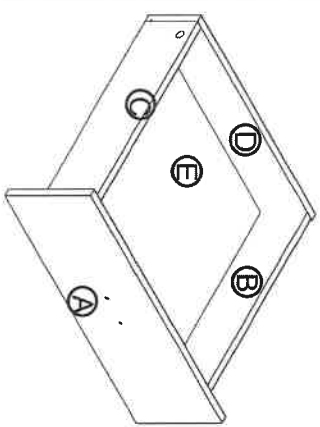
10



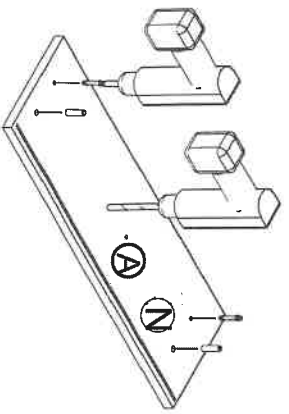
11



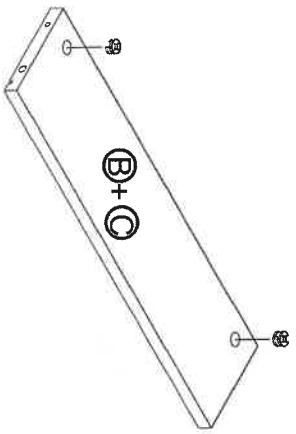
1



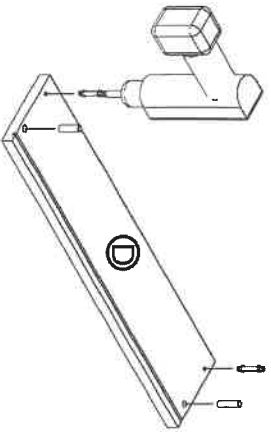
2



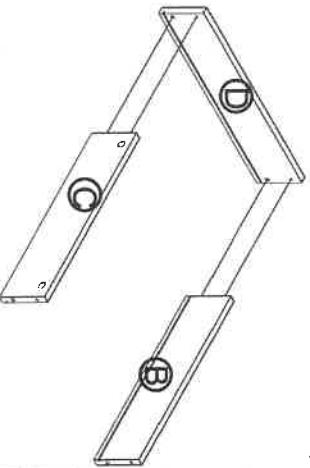
3



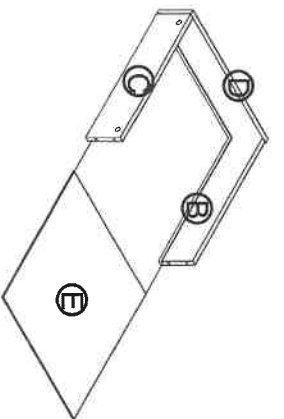
4



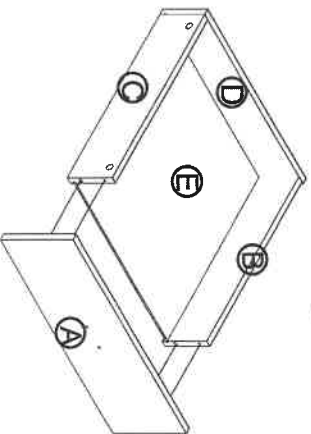
5



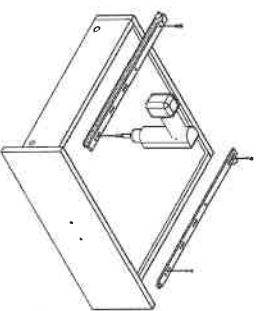
6



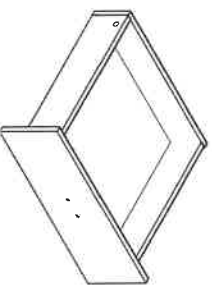
7



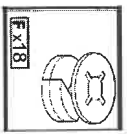
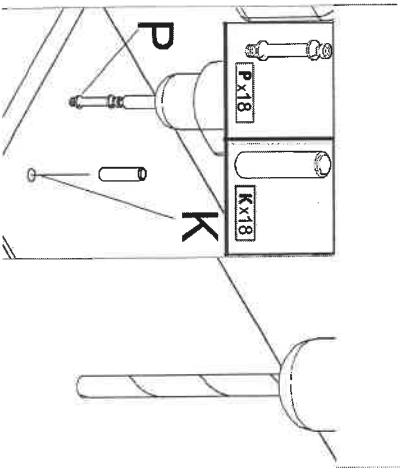
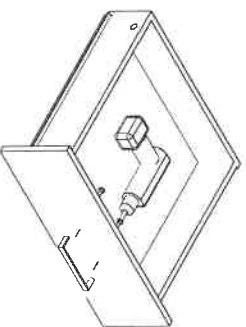
8



9



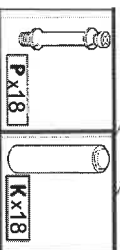
10



F

K

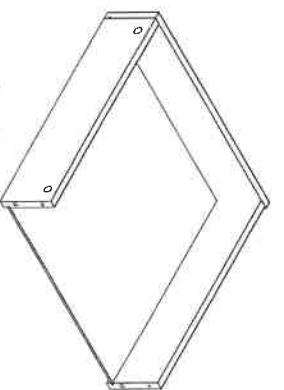
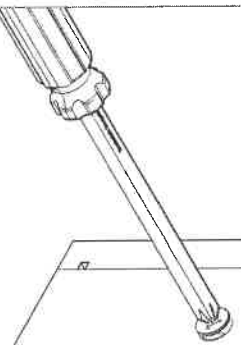
P



P

K x 18

K x 18

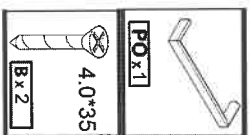


O x 1



BIX 4

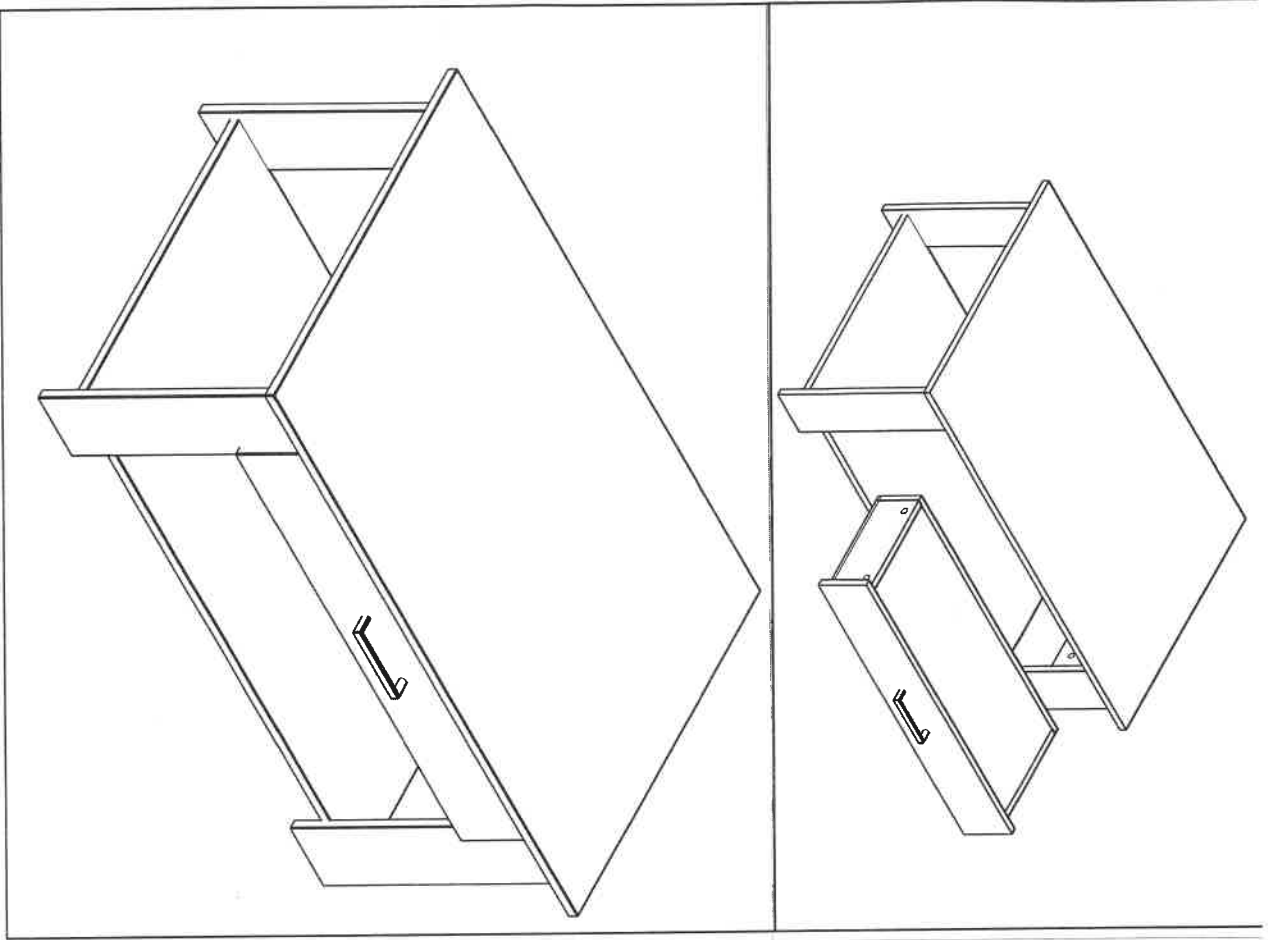
3.5x16



PO x 1

4.0 x 35

B x 2



PLASTIC COVER CAPS FOR SCREWS

