







PLEASE READ ALL INSTRUCTIONS BEFORE ASSEMBLY.

Unpack all parts from Styrofoam and bubble wrap inside the carton to ensure there are no missing or damaged parts. If any parts are missing or damaged, do not attempt to assemble or use the product.

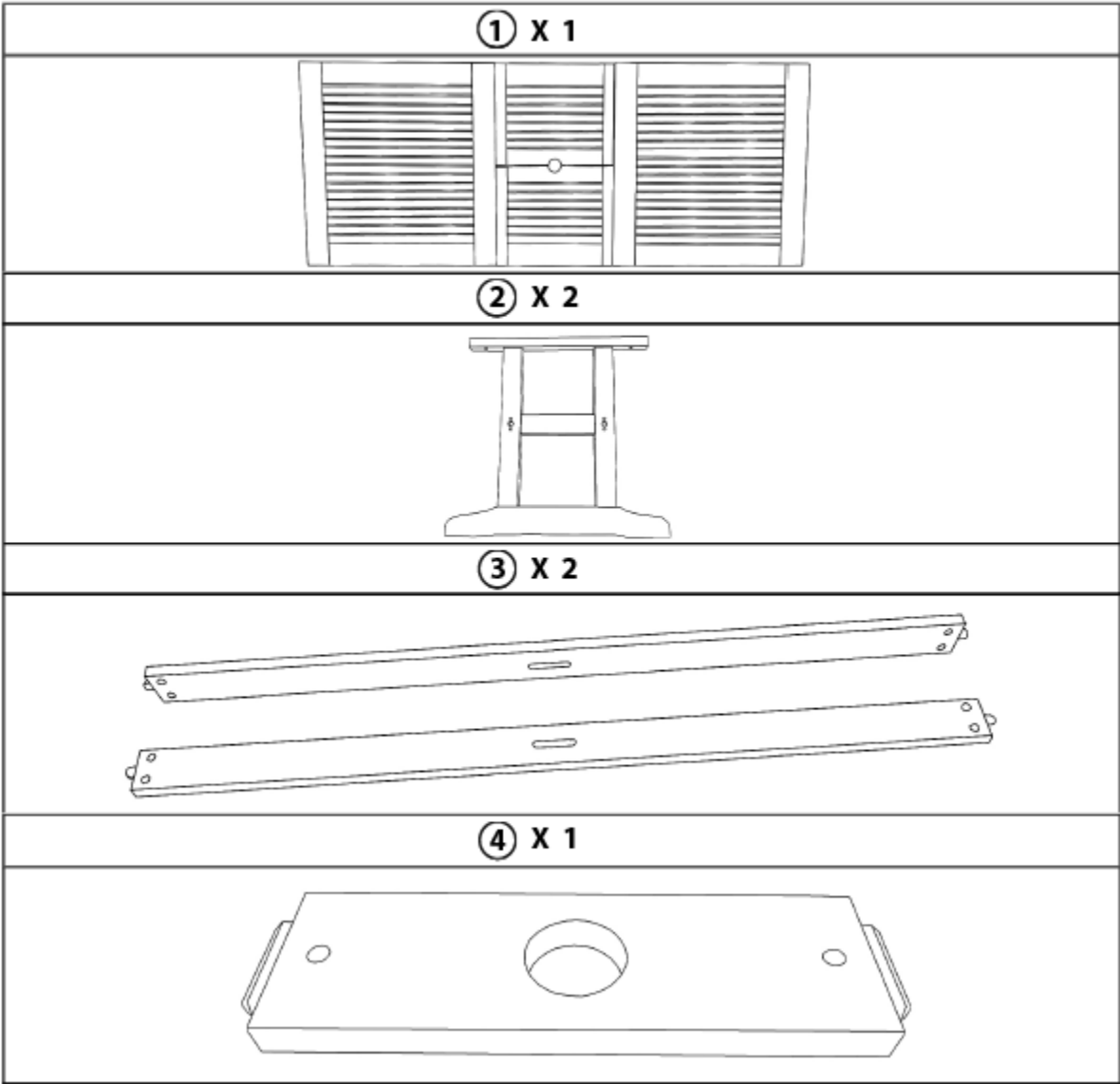
Hardware:

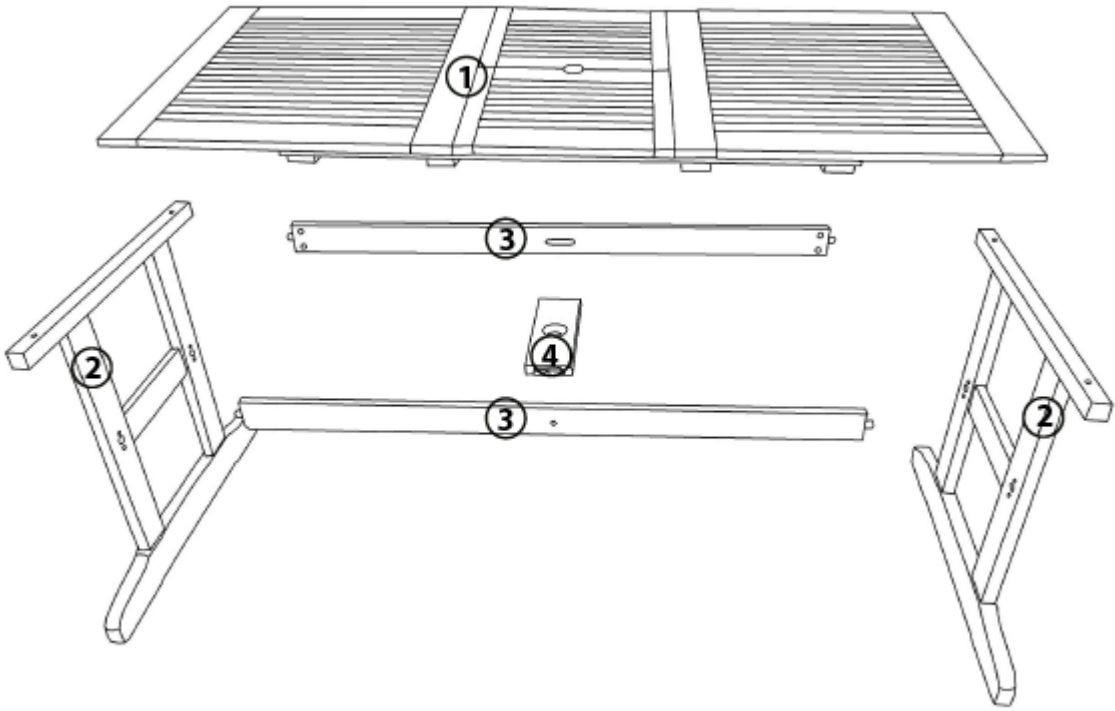
(A) X 14	(B) X 10
 <p data-bbox="565 676 760 709">JCBC M6 X 60</p>	
	

	
1 : 00	





Tools required for assembly: Philips screwdriver and Flathead Screwdriver (if using power tools, use with care)

Panels :

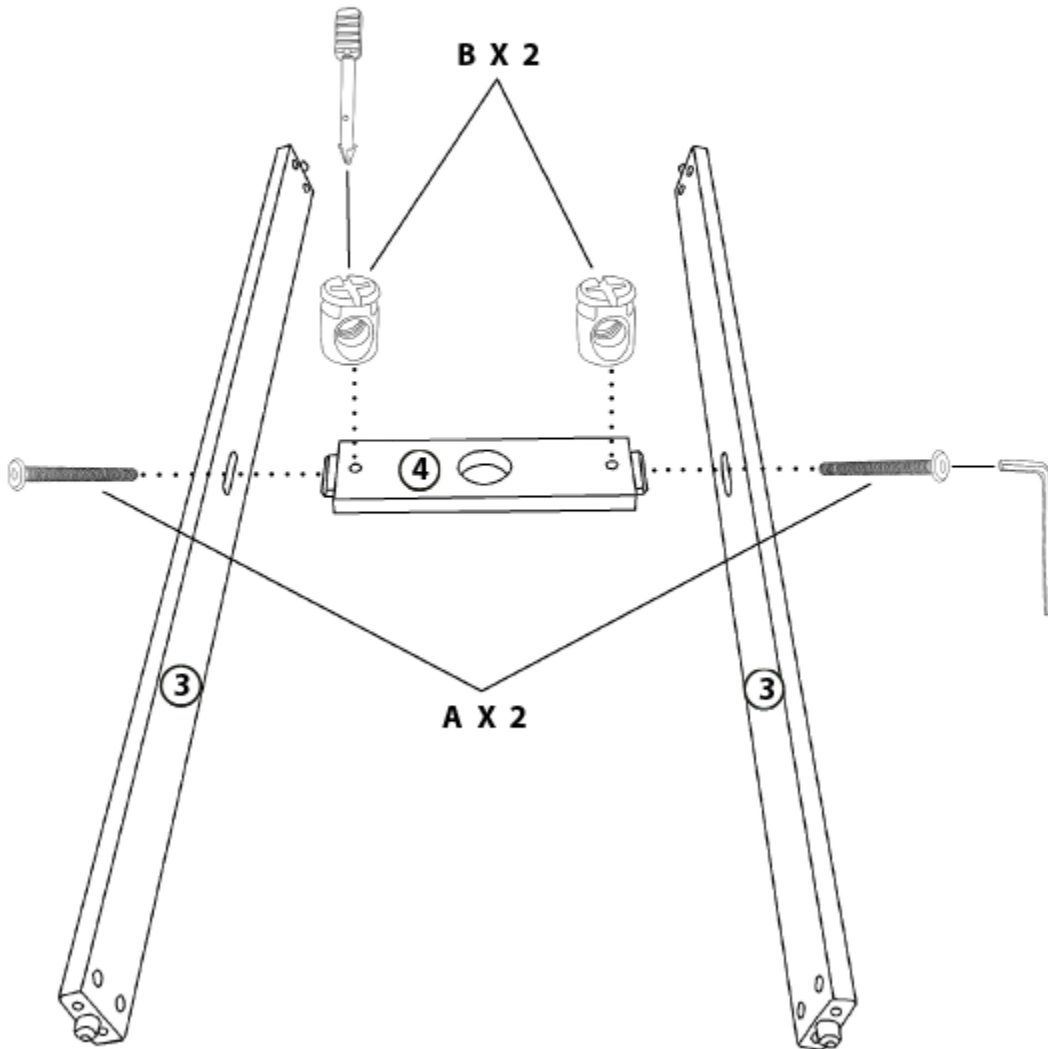







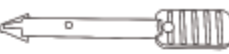
STEP 1

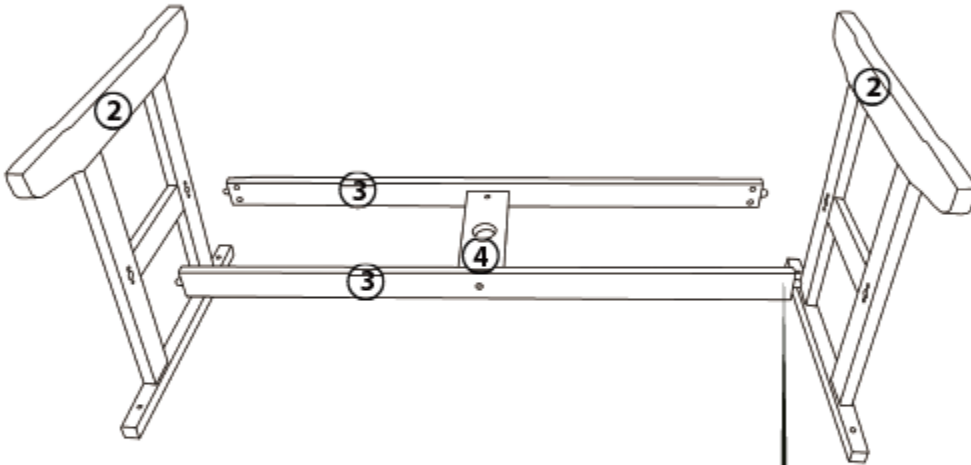
A X 2	B X 2
	
	

- Insert Hardware B to part 4.
- Connect part 3 to part 4 with Hardware A.

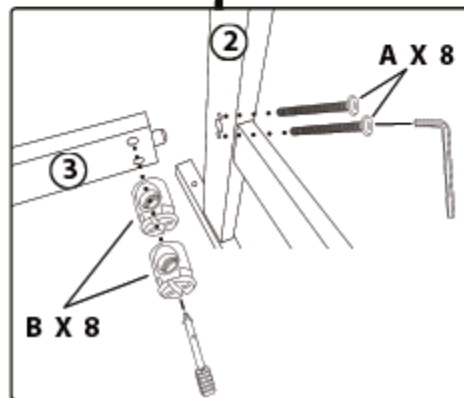


STEP 2

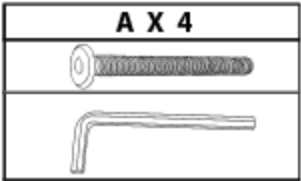
A X 8	B X 8
	
	



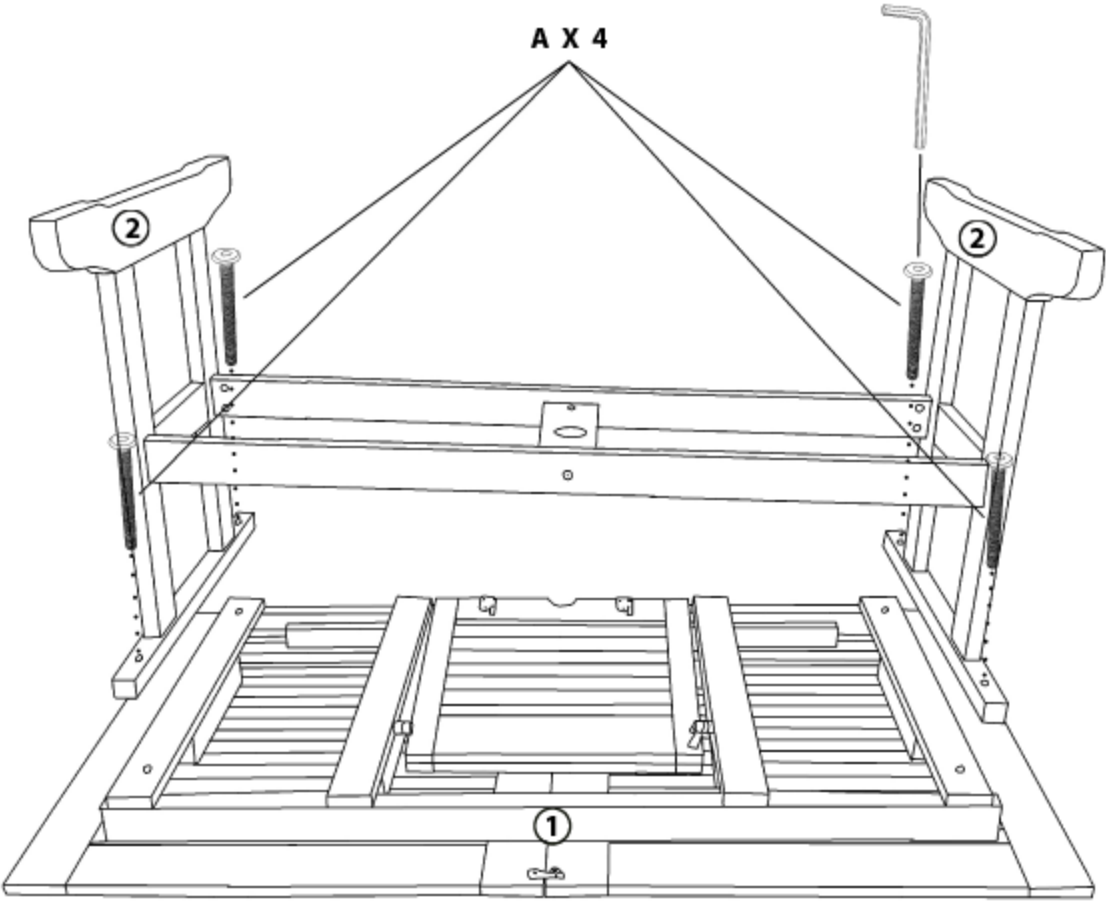
- Insert Hardware B to part 3.
- Connect part 2 to part 3 with Hardware A.

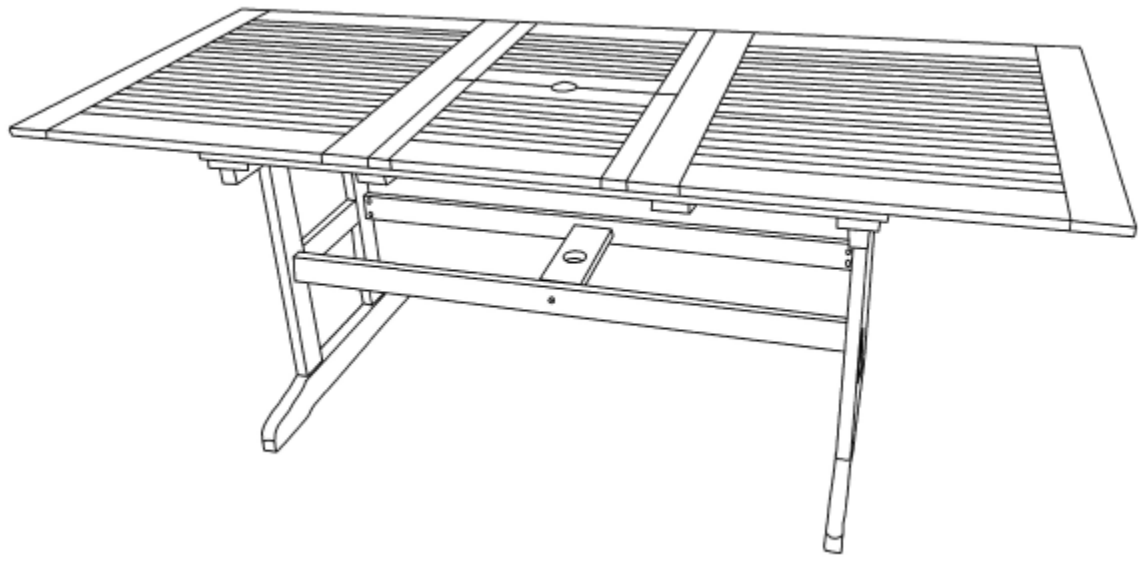


STEP 3



- Connect part 2 to part 1 with Hardware A.





CARE INSTRUCTION

CONGRATULATIONS ON YOUR PURCHASE OF THIS FINE HARDWOOD FURNITURE. CORRECTLY MAINTAINED, YOU CAN EXPECT TO RECEIVE MANY YEARS OF ENJOYMENT FROM THIS PRODUCT.

THIS FURNITURE WAS TREATED WITH TEAK OIL AT THE FACTORY. TO MAINTAIN THE ORIGINAL APPEARANCE, YOU NEED TO TREAT THE PRODUCT WITH A SUITABLE WOOD OIL SEVERAL TIMES A YEAR.

AS TIMBER IS A LIVING PRODUCT YOU MAY FIND THAT YOU NEED TO PERIODICALLY FASTEN ANY FITTINGS.

PLEASE STORE YOUR FURNITURE INDOORS DURING THE WINTER MONTHS TO MAINTAIN THE APPEARANCE.