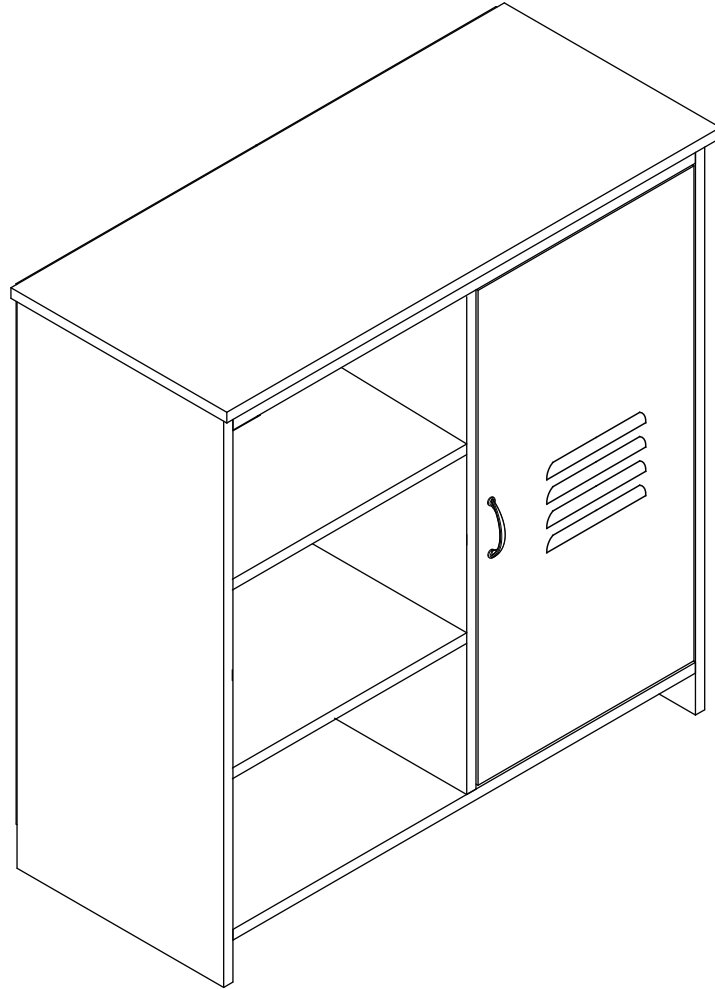


Installation Instruction



Product name

Moline 1 Door Cabinet

Ver.1.0 20210105

Assembling

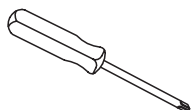
Estimated time for assembly



30 : 00

What you need

- Use the packaging carton as a working surface to prevent product damage during assembly
- Phillips head screwdriver



Weight Limitation



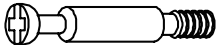
99 | 22
lbs table top | lbs per shelf

What's included

Code	Description	Qty
A	Cam Bolt M6X35MM	18
B	Cam Lock 15X12MM	18
C	Screw M4X35MM	8
D	Wooden Dowel M8X30MM	20
E	Handle	1
F	Bolt M4x8MM	2
G	Magnetic door catcher	2
H	Screw M3X14MM	4
I	Metal Pin	2
J	Plastic corner support	8
K	Foot pad with pin	5
L	Flat washer	4
M	Screw M4X12MM	2
N	Metal connector	2
O	Anchor	2
P	Metal Support	4
Q	Screw M3X14MM	8

The Hardwares

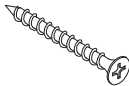
A



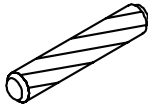
B



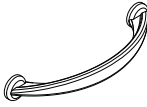
C



D



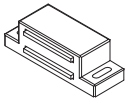
E



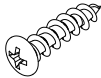
F



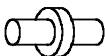
G



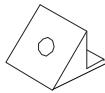
H



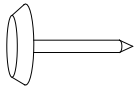
I



J



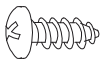
K



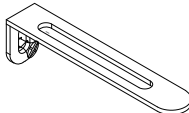
L



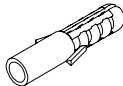
M



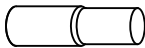
N



O



P



Q



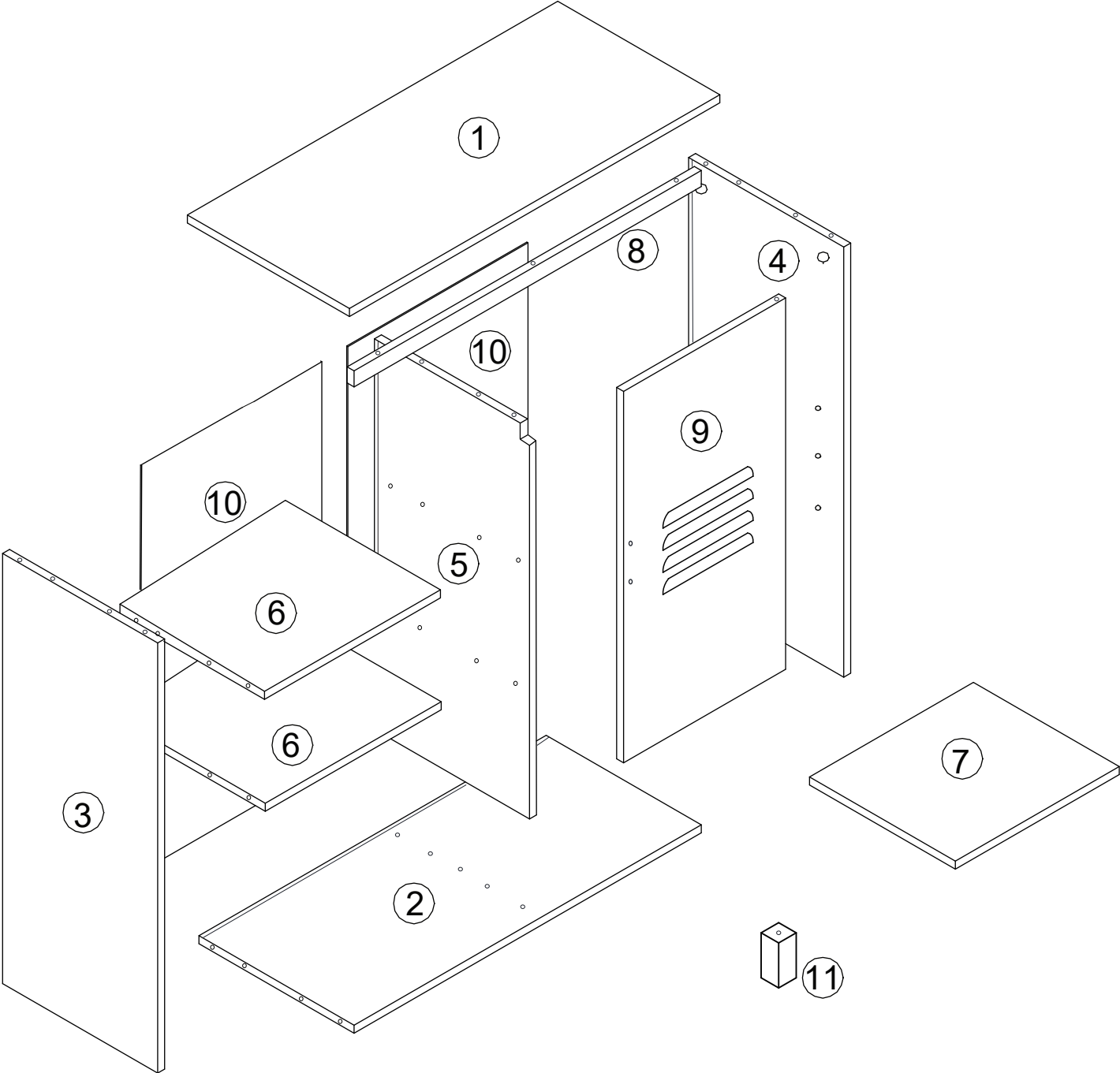
IMPORTANT:

- 1. Do not tighten bolts / screws completely until all bolts / screws are lined up and inserted into holes.
- 2. Do not over tighten screws and bolts to avoid stripping.
- 3. Please use hand tools to assemble this product. Do not use power tools.

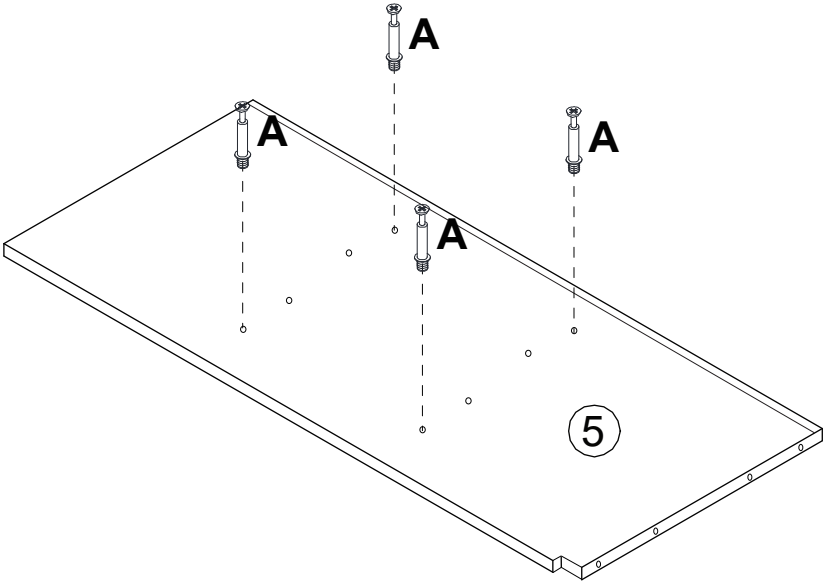
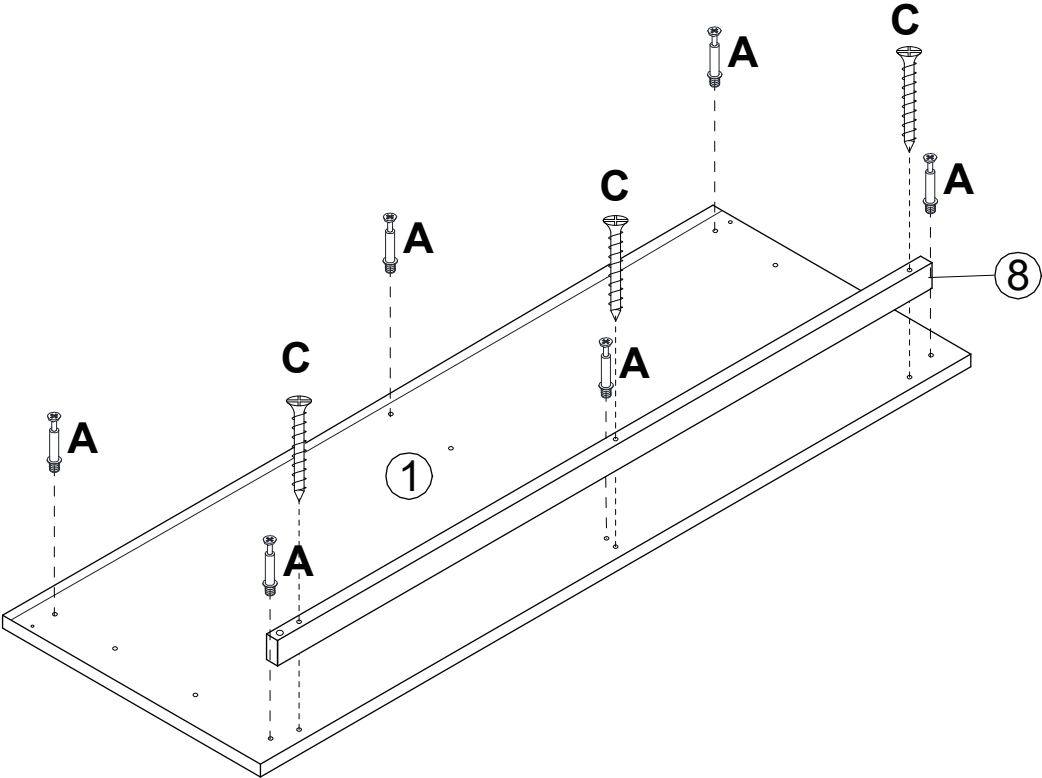
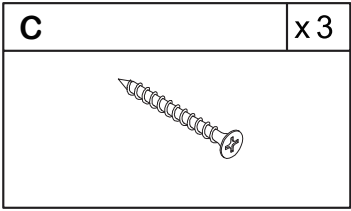
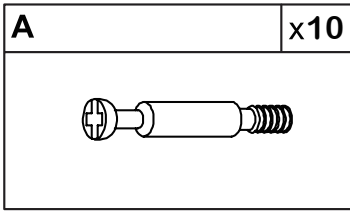
Included Accessories

Code	Description	Qty
1	Cabinet Top	1
2	Bottom Panel	1
3	Left Side Panel	1
4	Right Side Panel	1
5	Division Panel	1
6	Left Shelf	2
7	Right Shelf	1
8	Top Stretcher	1
9	Door	1
10	Back Panel	2
11	Center Support	1

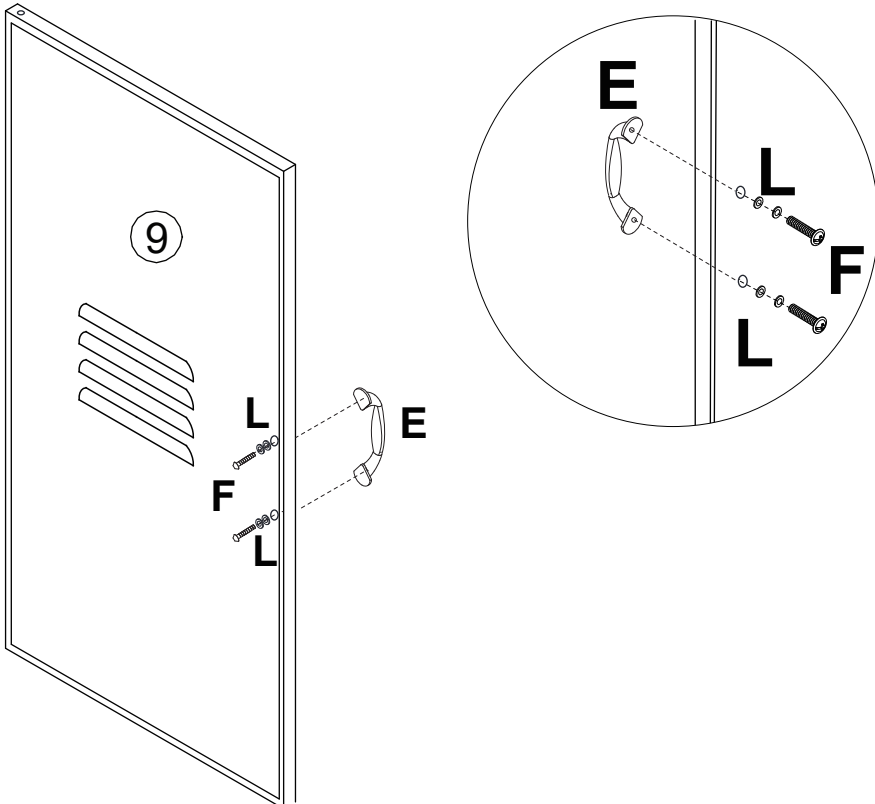
The Accessoriess



Step 1



Step 2



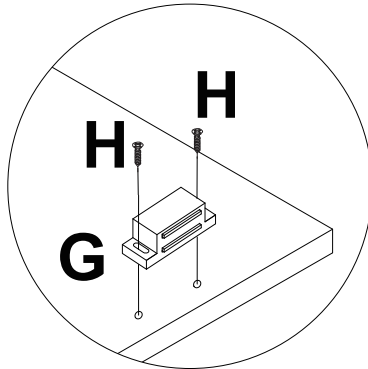
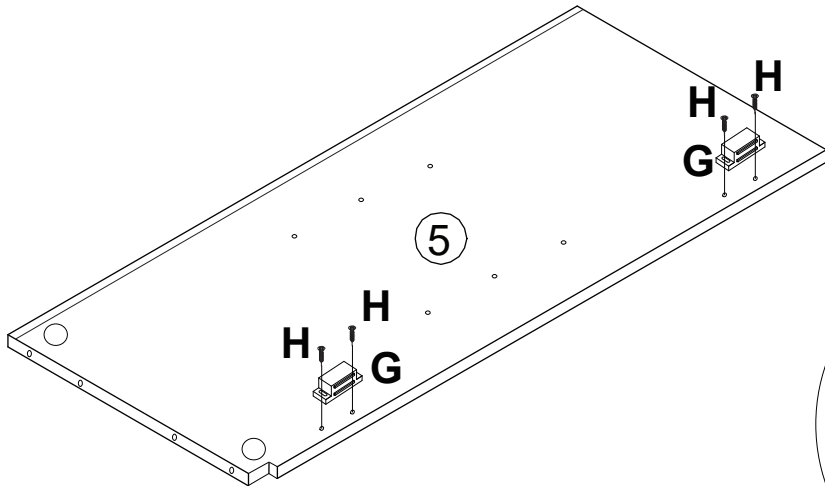
E	x1

F	x2

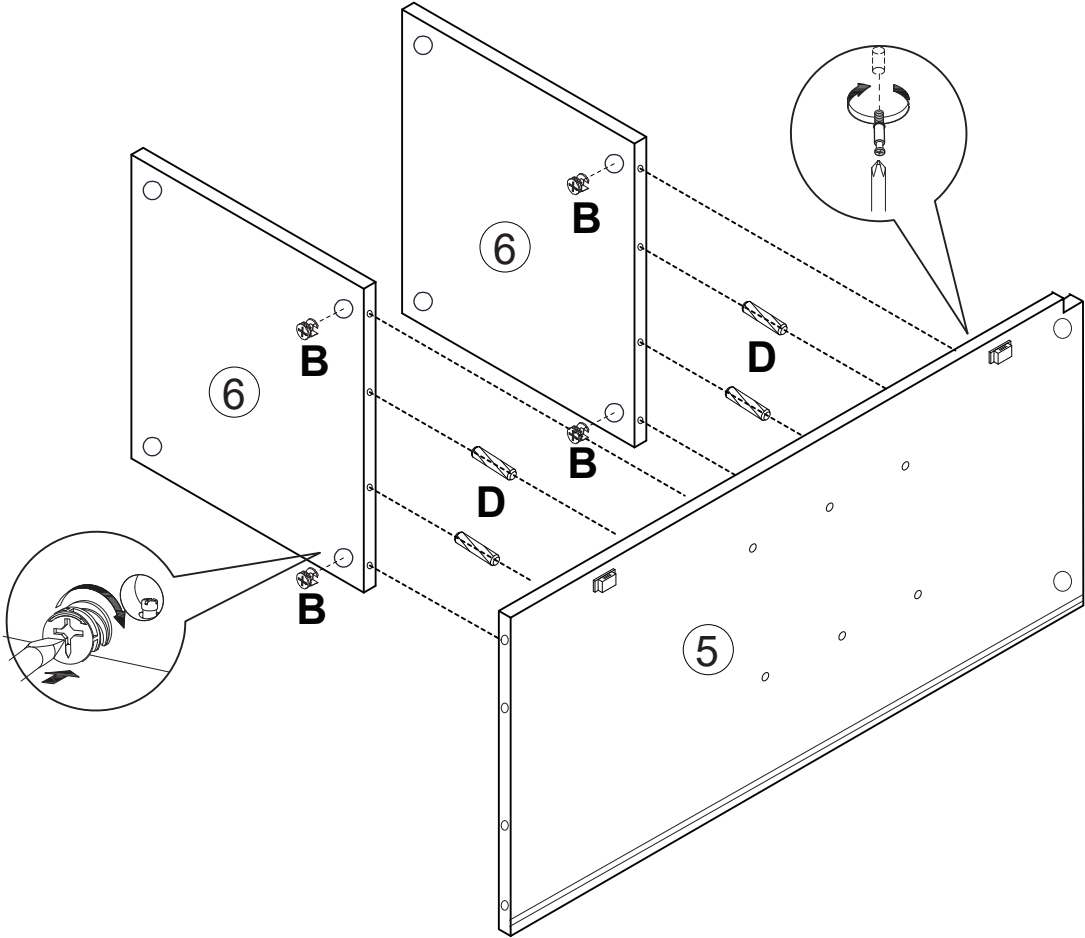
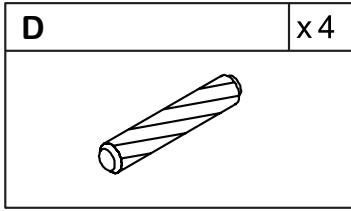
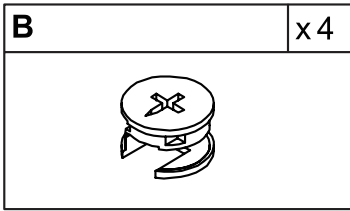
G	x2

H	x4

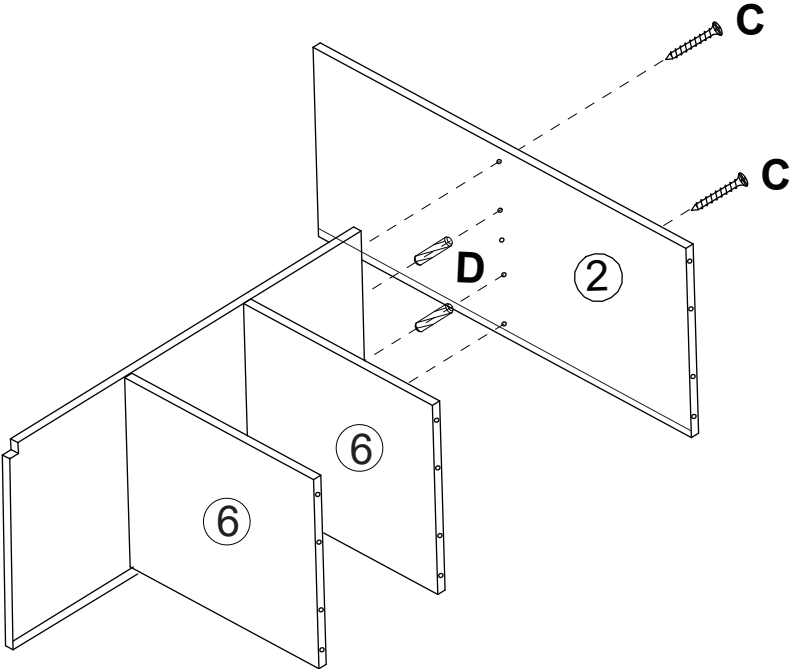
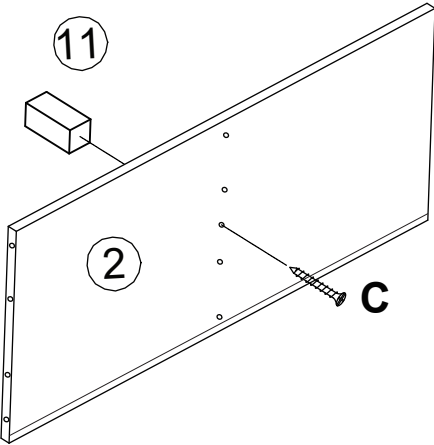
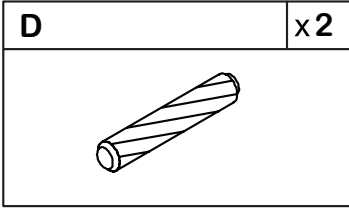
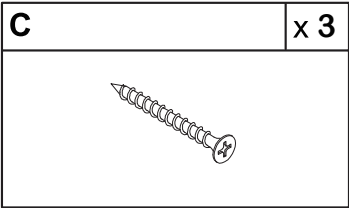
L	x4



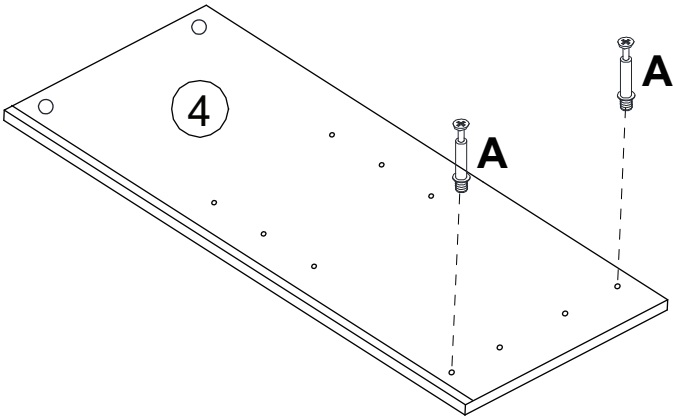
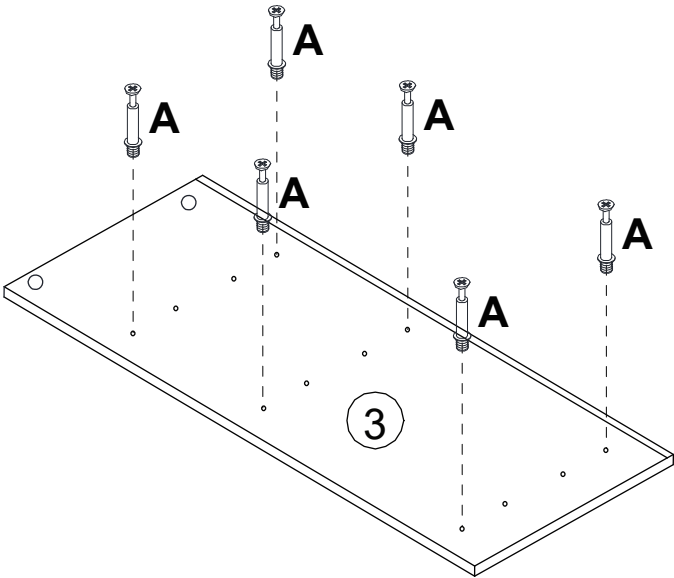
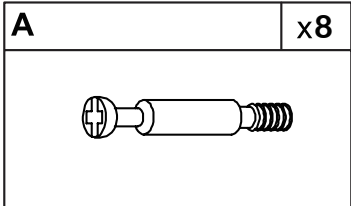
Step 3



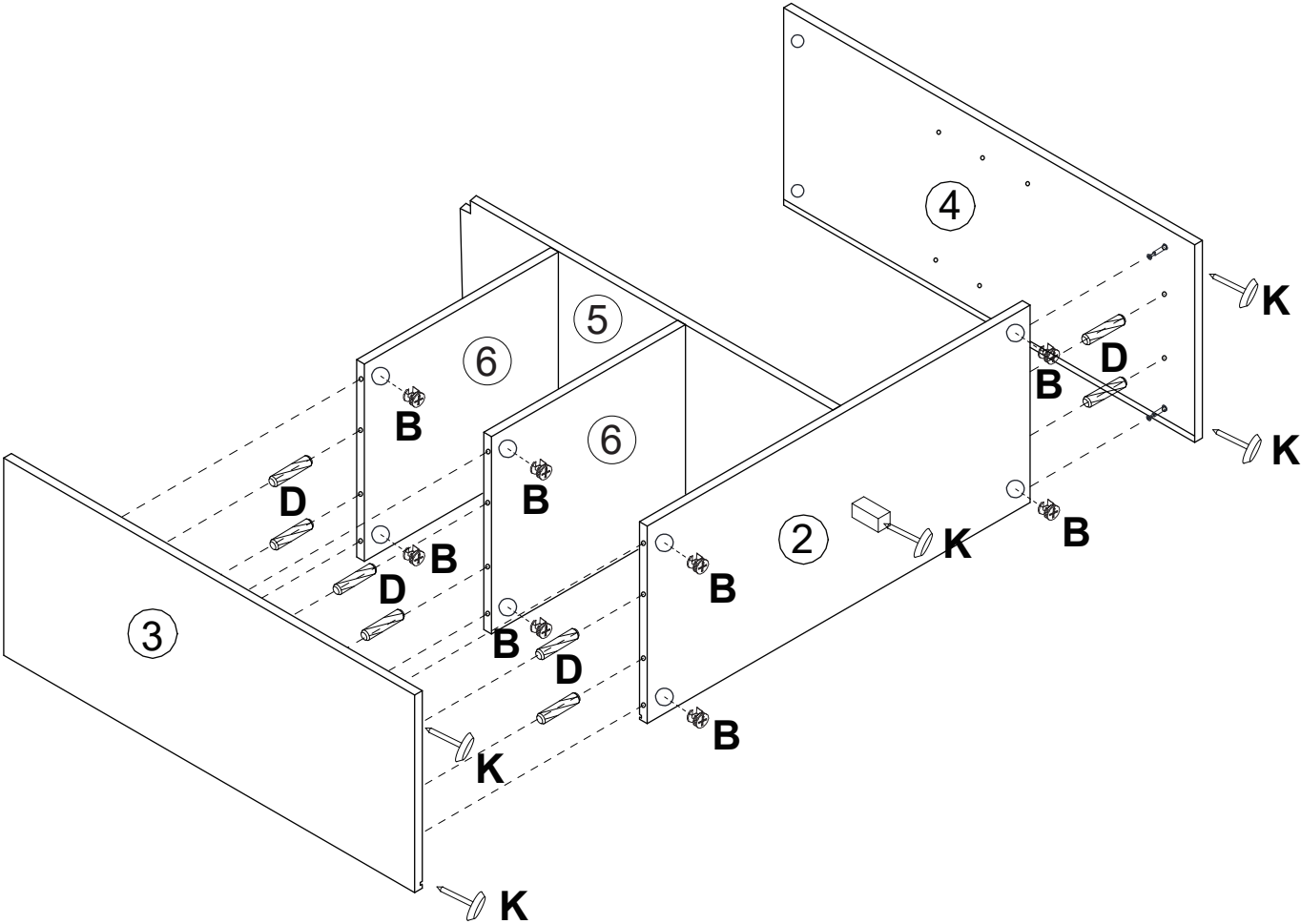
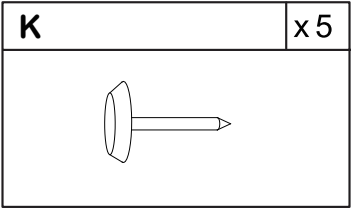
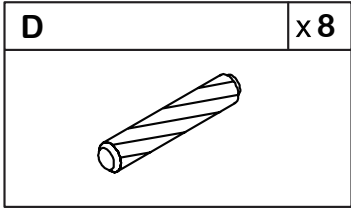
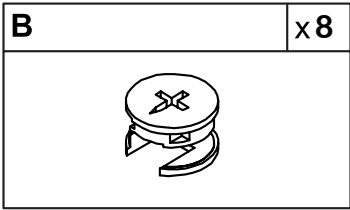
Step 4



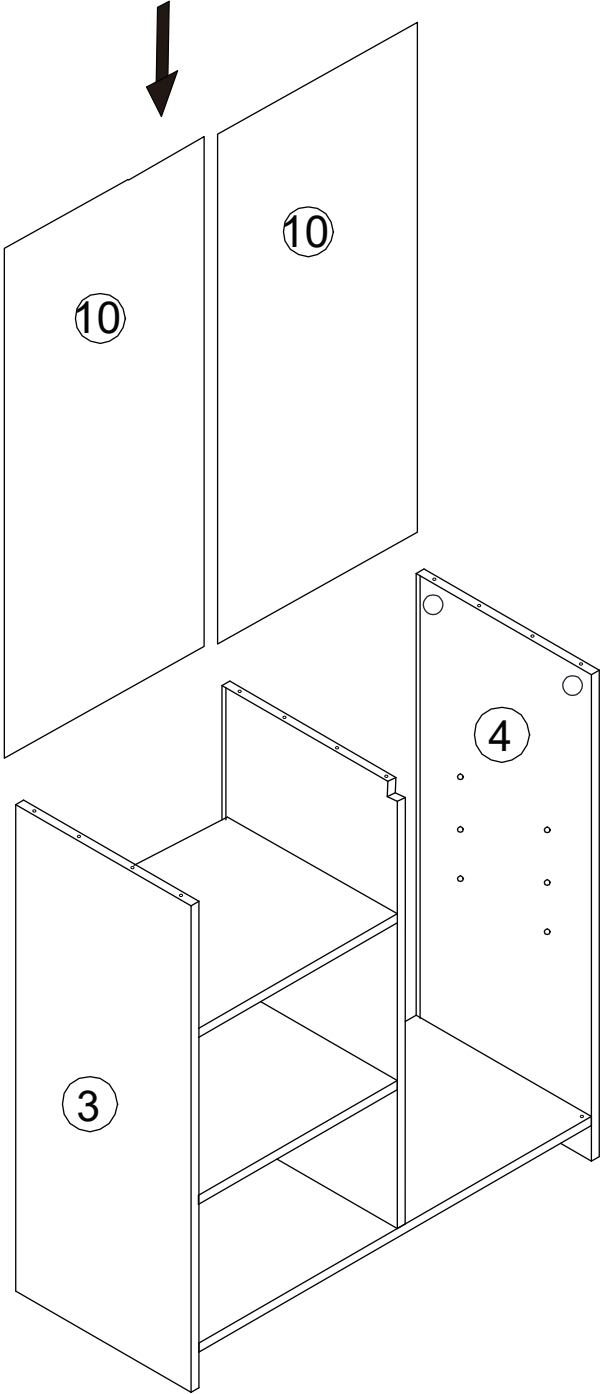
Step 5



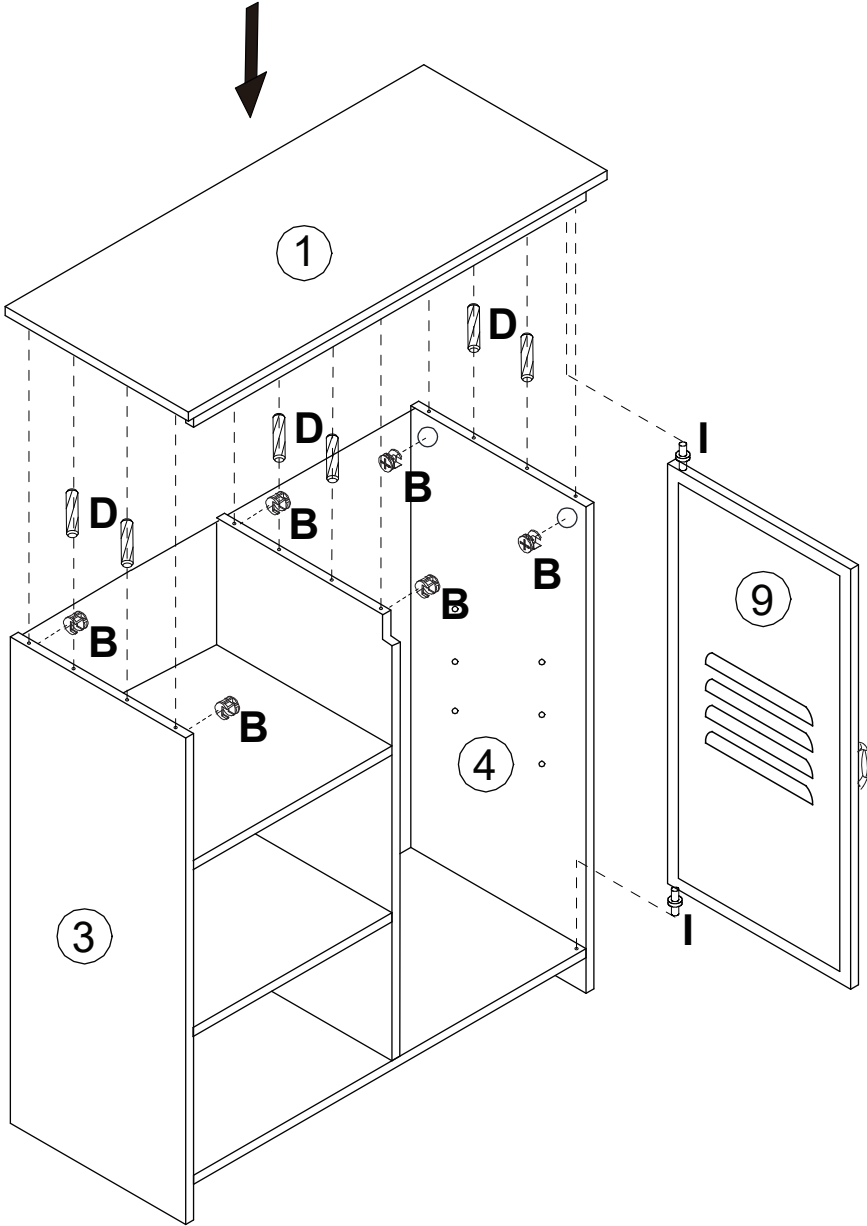
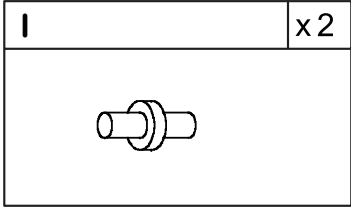
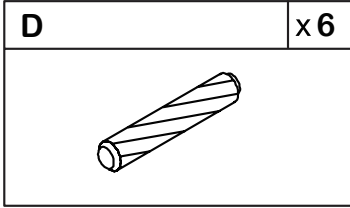
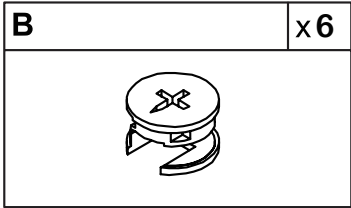
Step 6



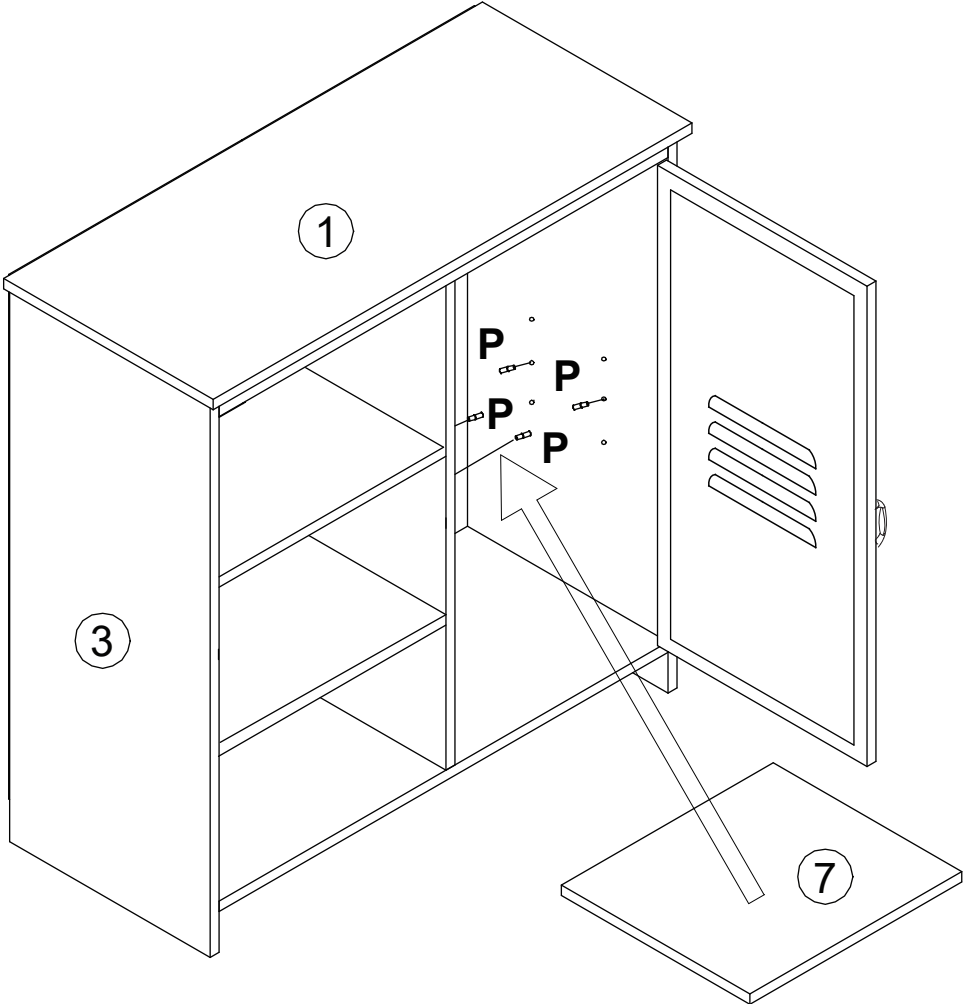
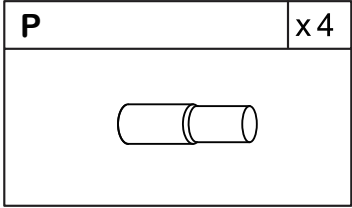
Step 7




Step 8

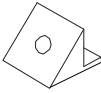


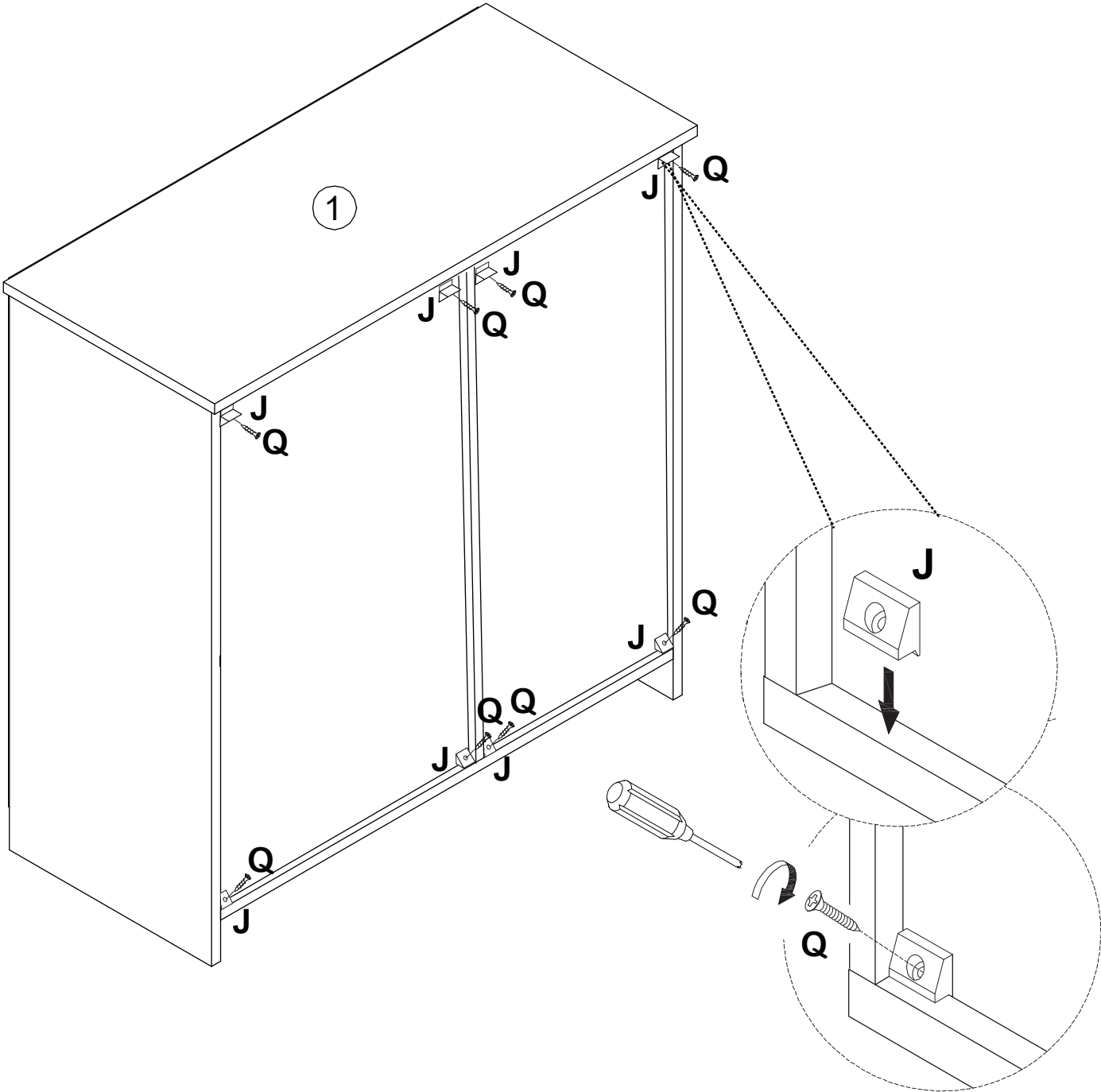
Step 9



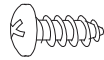
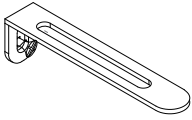
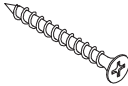
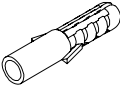
Step 10

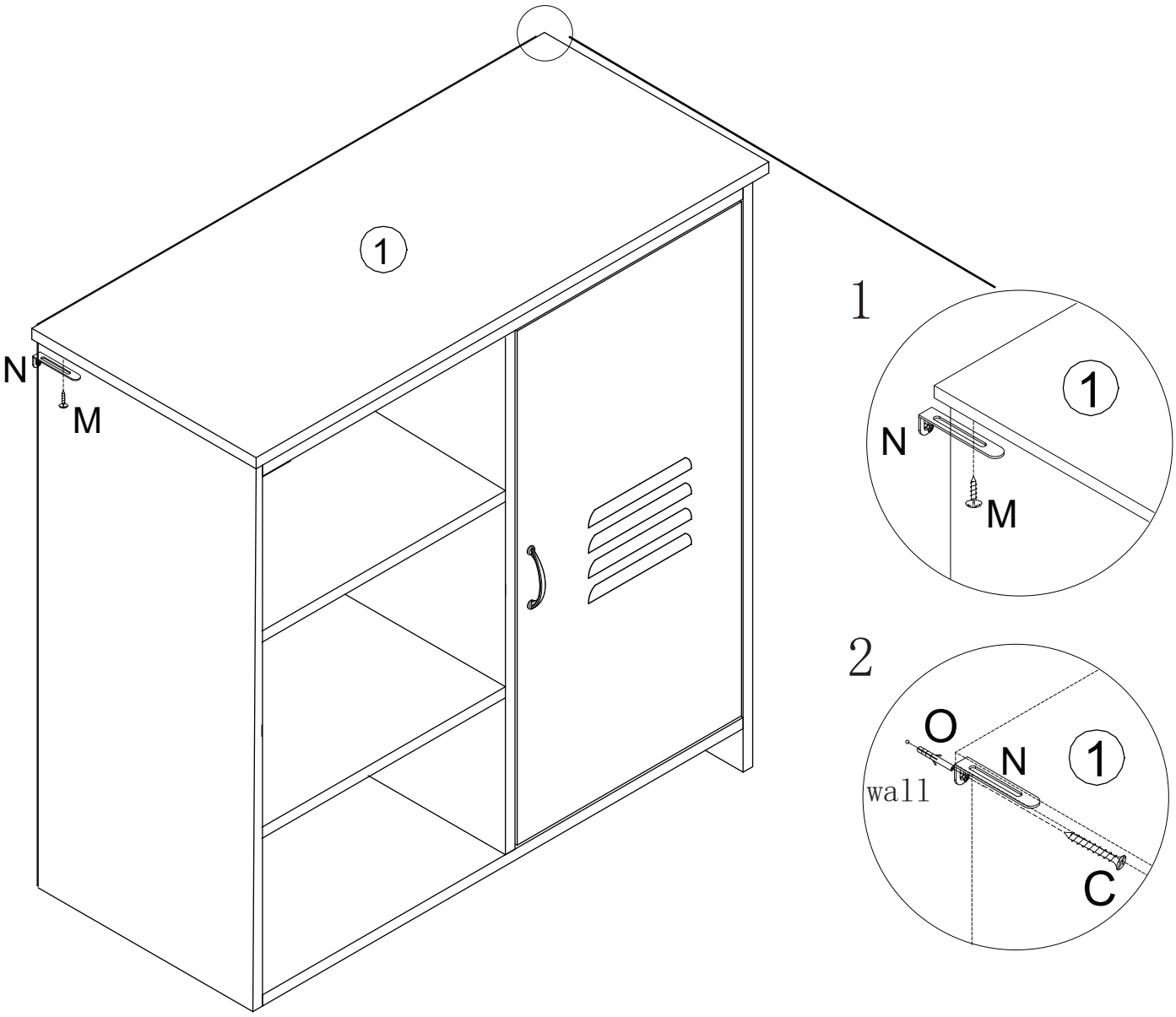
Q	x 8
	

J	x 8
	



Step 11

M	x2	N	x2
			
C	x2	O	x2
			



Proper Use

- DO NOT** use for commercial purposes
- DO NOT** use as a step stool or stand on table
- DO NOT** put hot serving liquid directly on the table top
- DO NOT** leave spilled liquid on the table top
- DO NOT** use table if damaged
- DO NOT** exceed weight limit
- DO NOT** make temporary repairs
- DO NOT** use outdoor