
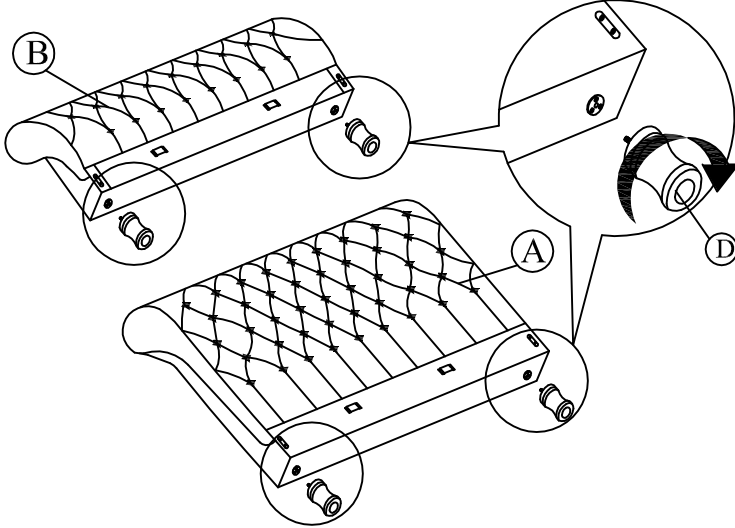
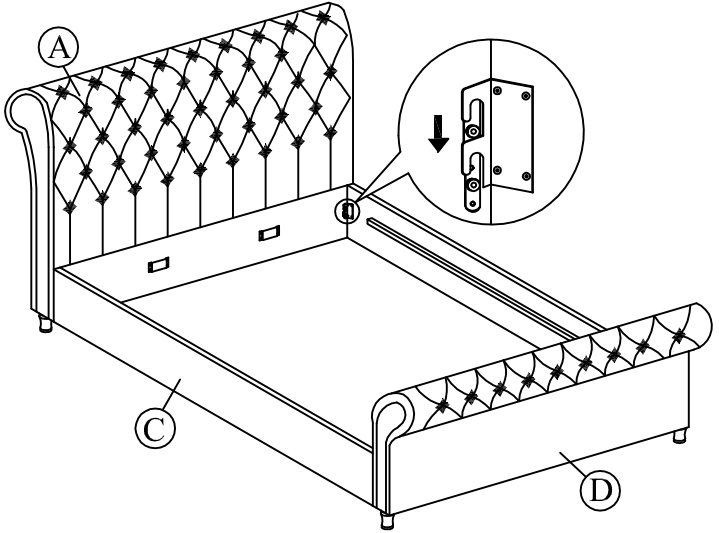
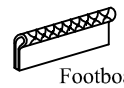





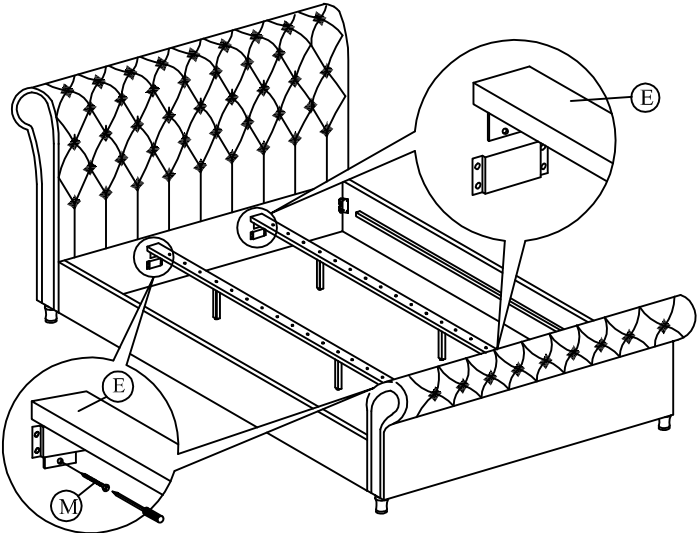


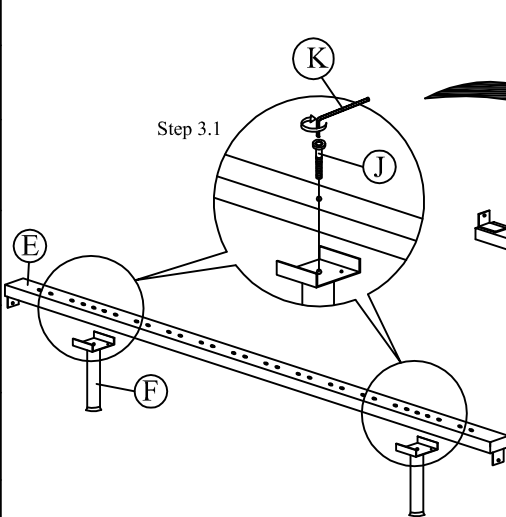


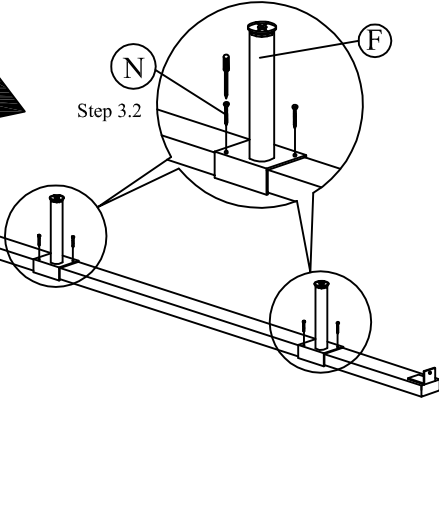
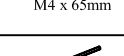
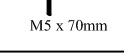
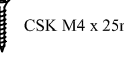


ASSEMBLY INSTRUCTION

			Step 1: Tighten the legs (D) to the footboard (B) as shown.	Step 2: Attach side rail (C) to headboard (A) and footboard (B) by pushing the bracket down to fit it.
A	 Headboard	1 pc		
B	 Footboard	1 pc		
C	 Side Rail	2 pcs		
D	 Leg	4 pcs		
E	 Center Rail	2 pcs		
F	 Support Leg	4 pcs		
G	 Slat	42 pcs	Step 3: Attach the support legs (F) to the center rail (E) of the bed as shown.	<p>Step 4: Slide the center rail (E) to the headboard (A) and footboard (B). Tighten screws (M) using screw driver (not included) to the headboard (A) and footboard (B)</p> 
H	 Middle Holder	28 pcs		
I	 End Holder	28 pcs		
J	 JCBC M6 X 40	4 pcs		
K	 M4 x 65mm	1 pc		
L	 M5 x 70mm	1 pc		
M	 CSK M4 x 25mm	4 pcs		
N	 CSK M4 x 16mm	8 pcs		

Step 5: Tighten all the 4 corner ,follow by assembly of the slat holders with LVL slats as shown.

