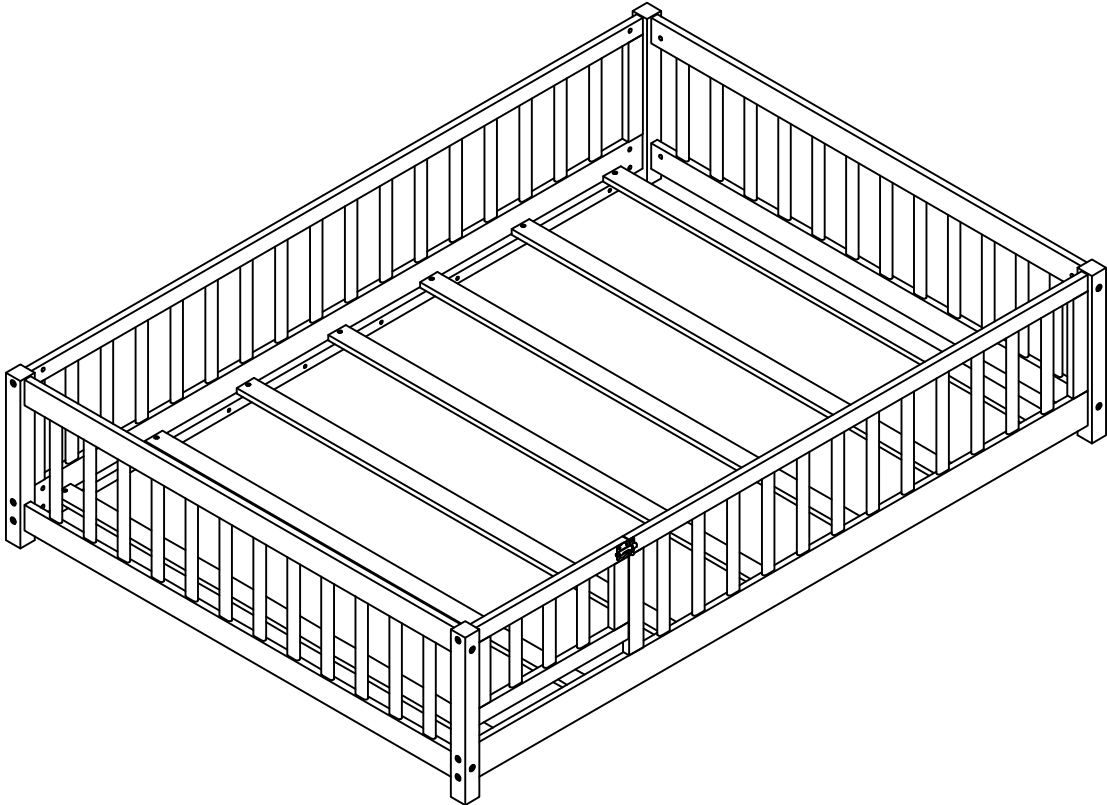
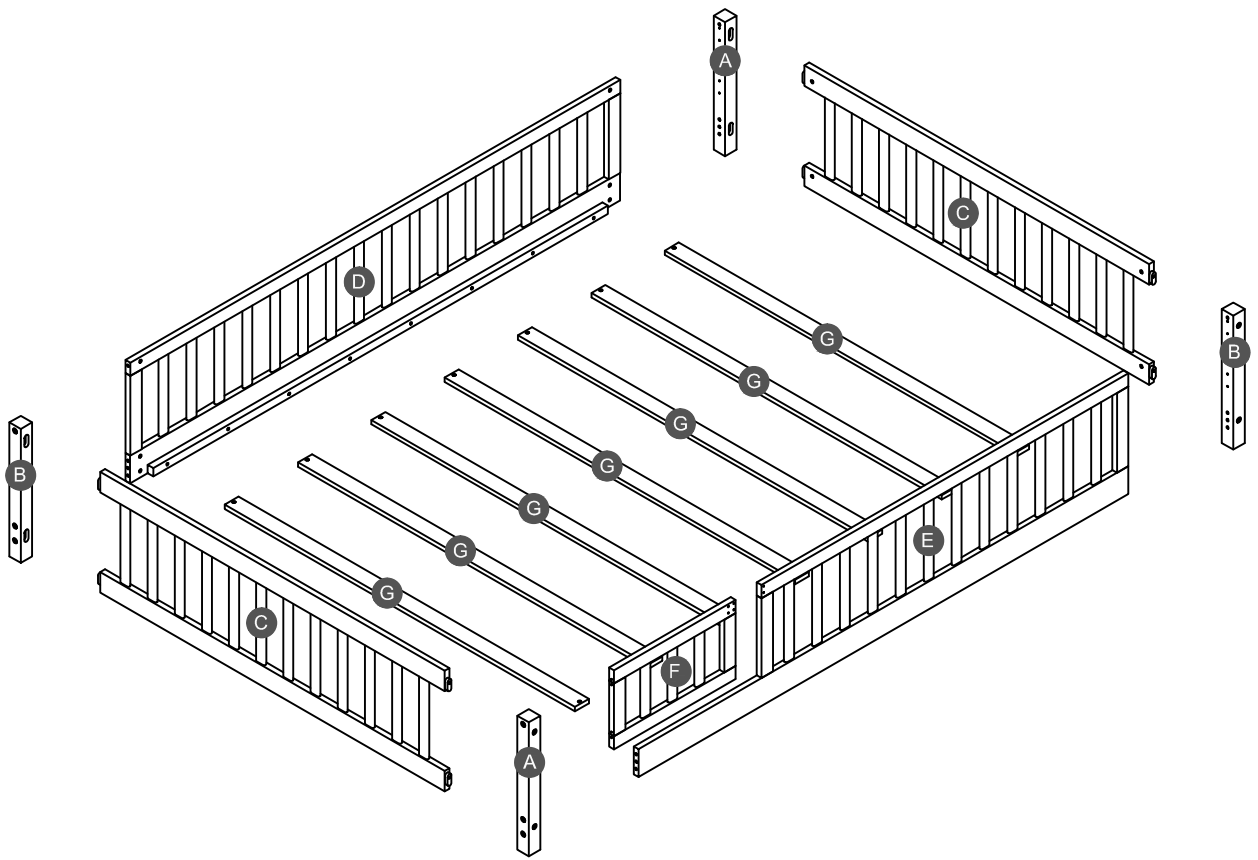


ASSEMBLY INSTRUCTIONS

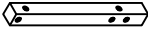
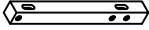
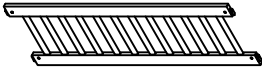
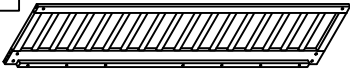
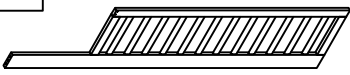
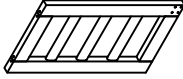
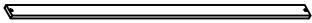
FULL FLOOR BED WITH RAILINGS




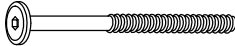
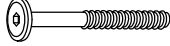


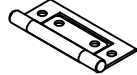
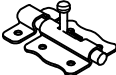


Detail View



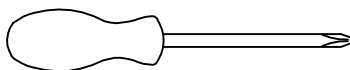
Part List

A  Leg (Left Front/Right Back) - 2pcs	B  Leg (Right Front/Left Back) - 1pc	C  Frame HB & FB - 2pcs
D  Slat - 7pcs	E  Slat - 7pcs	F  Slat - 7pcs
G  Slat - 7pcs		

Hardware List

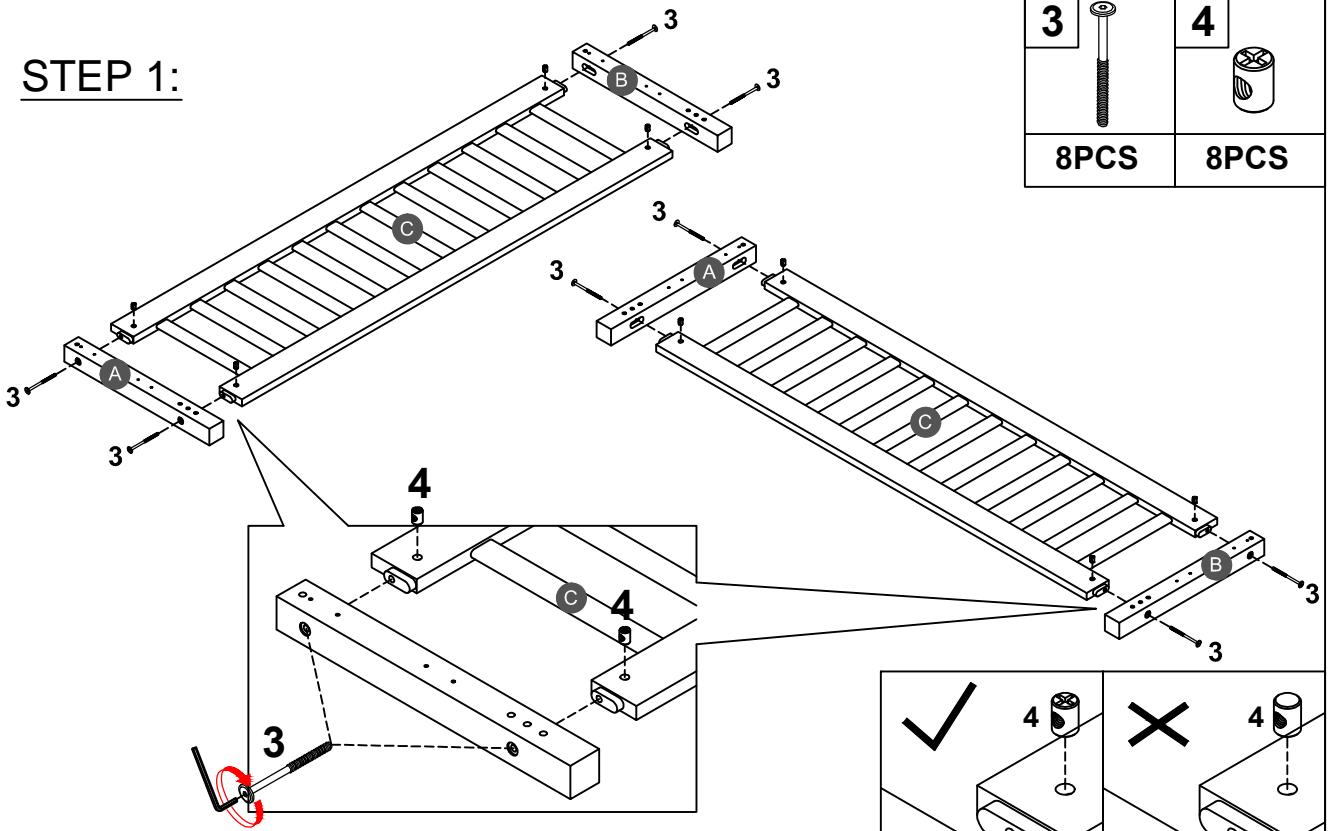
1  Ø8*30mm Wood dowel (4pcs)	2  (Ø15)1/4"*100mm Hex-Head bolts (11pcs)	3  (Ø15)1/4"*80mm Hex-Head bolts (8pcs)
4  1/4"*15 (9.5mm) Horizontal-Hole bolts(19pcs)	5  Ø4*30mm Wood screws (14pcs)	6  55*24*6mm(135°) Hinges (2pcs)
7  60*40*10mm Lock (1pc)	8  Ø3.5*15mm Wood screws (14pcs)	9  (1/4")4.5*58mm Allen key (1pc)

ASSEMBLY TOOLS REQUIRED (NOT INCLUDED)



PLEASE BE CAREFUL DO NOT DAMAGE THE HOLE POSITION WHEN YOU USE POWER TOOLS !

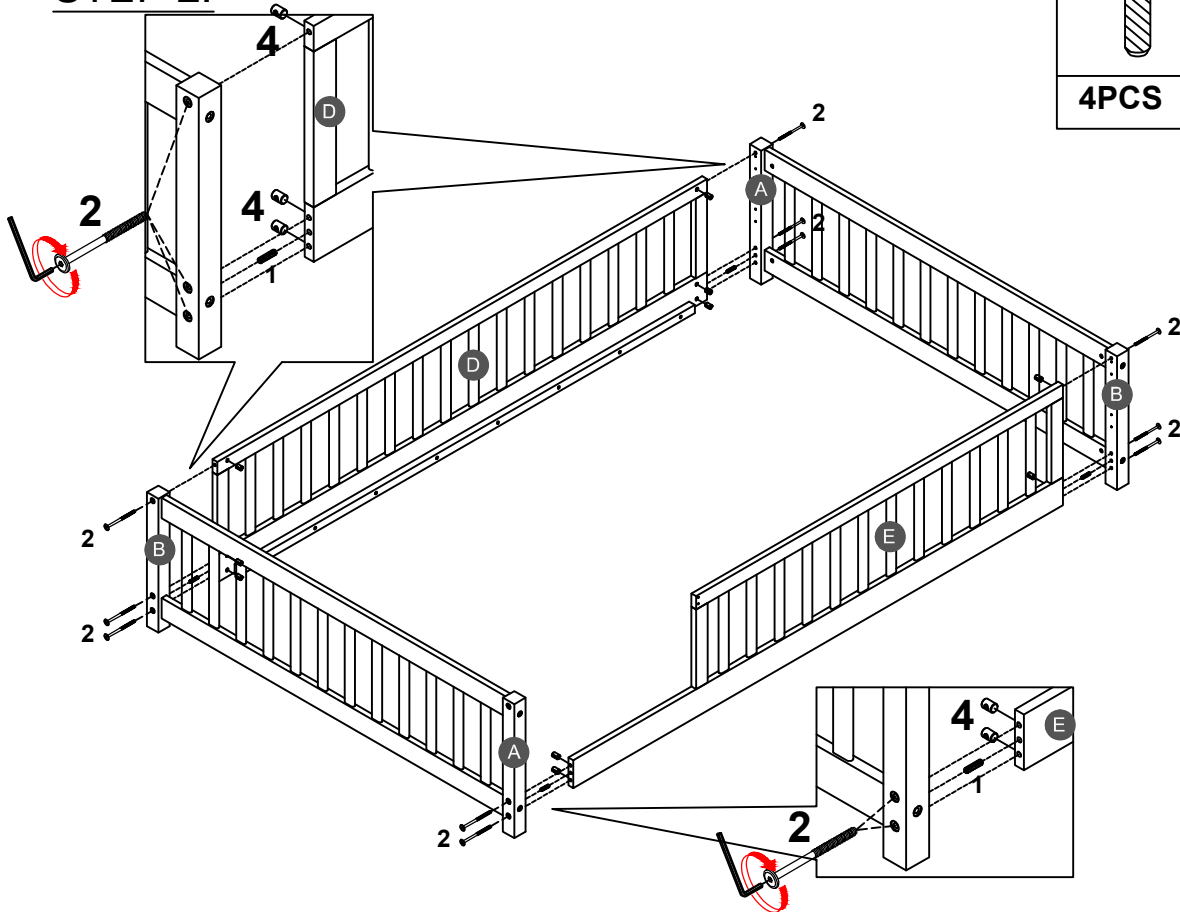
STEP 1:



3		4	
8PCS		8PCS	

Note: Part 4 will face up with the "x" mark on it, otherwise it cannot be tightened

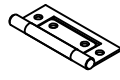

STEP 2:

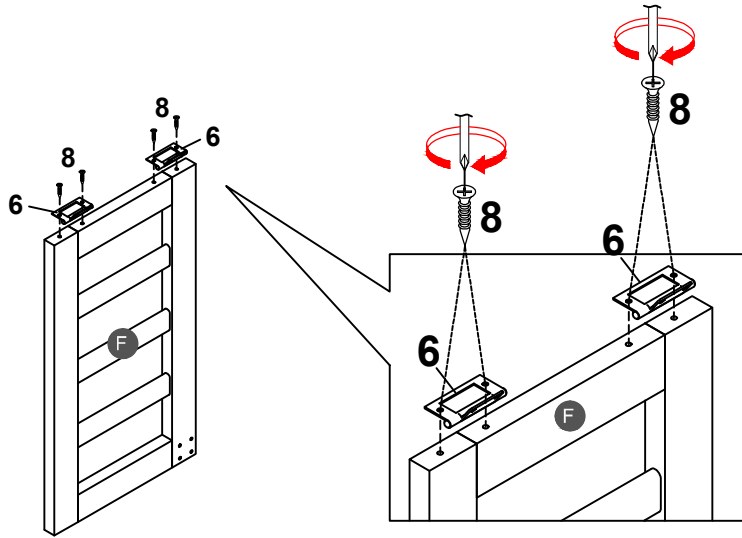


1		2	
4PCS		11PCS	


4	
11PCS	

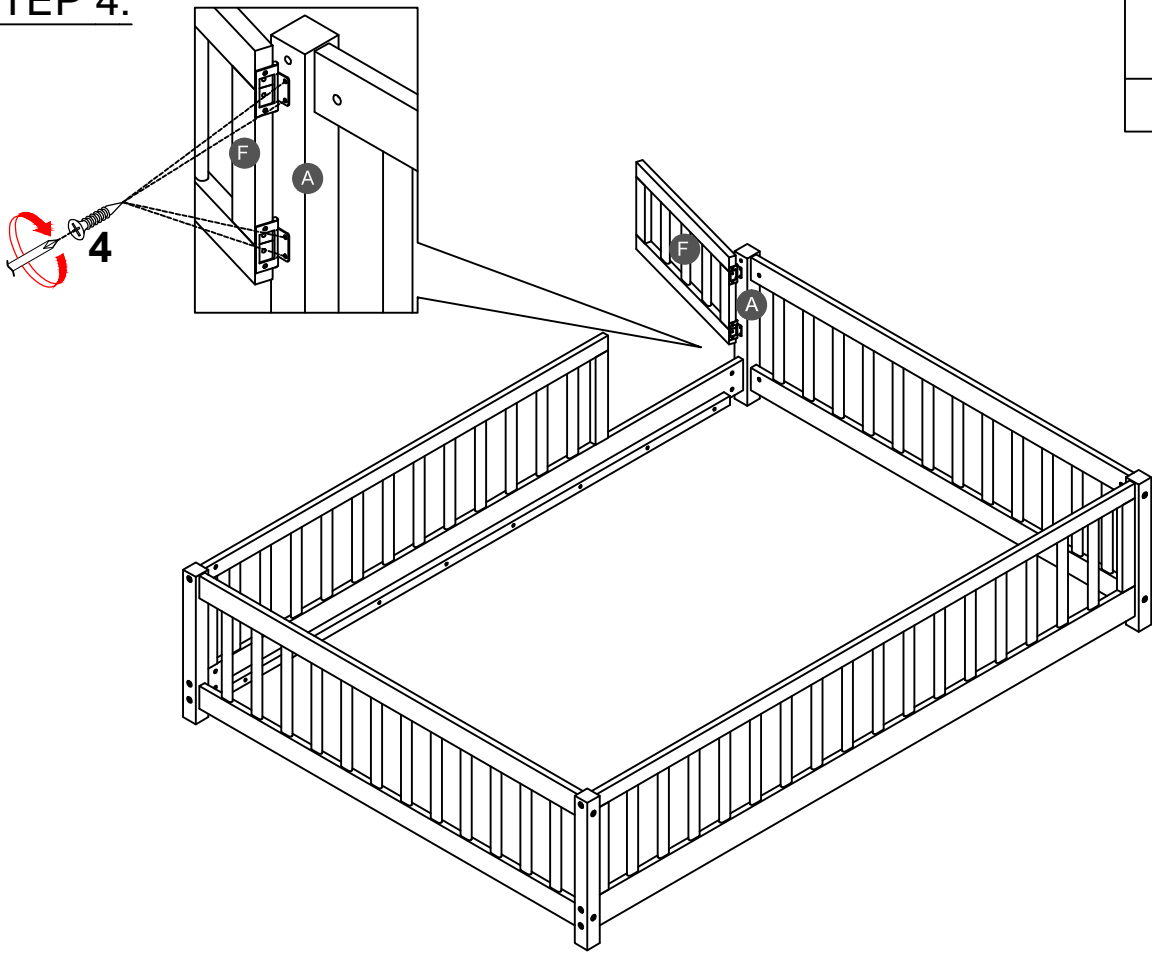
STEP 3:

6 	8 
2PCS	4PCS

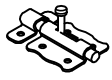
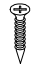


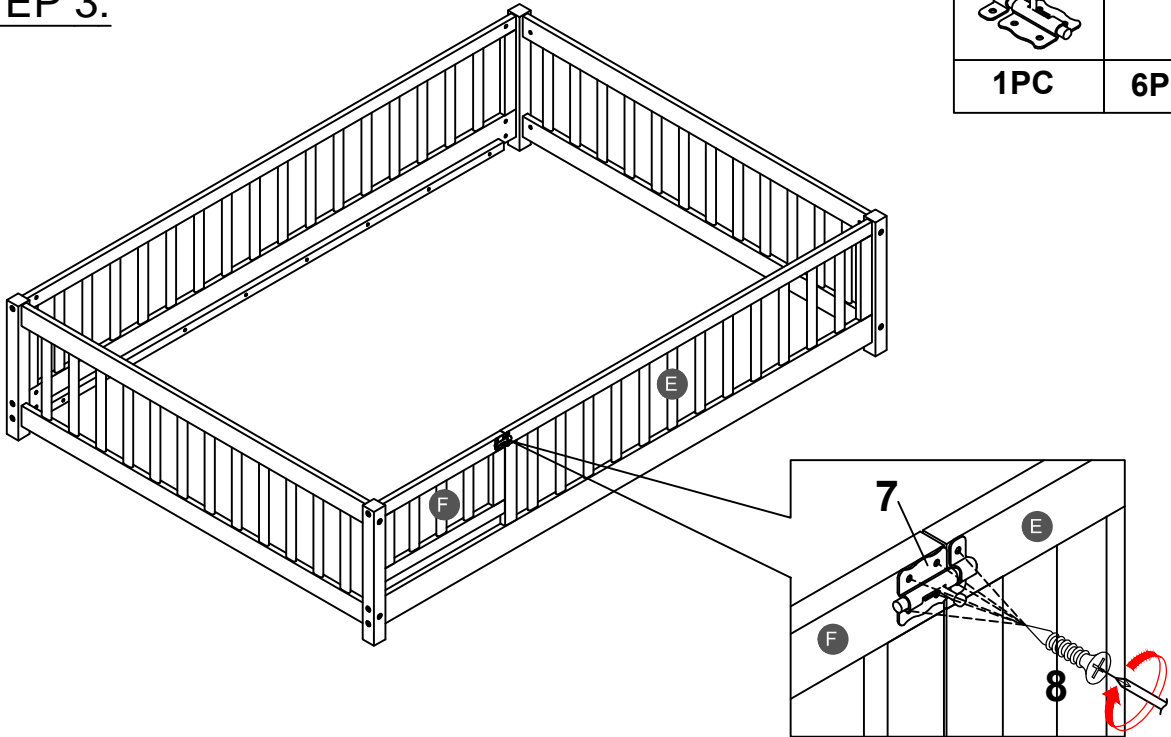
STEP 4:

8 
4PCS




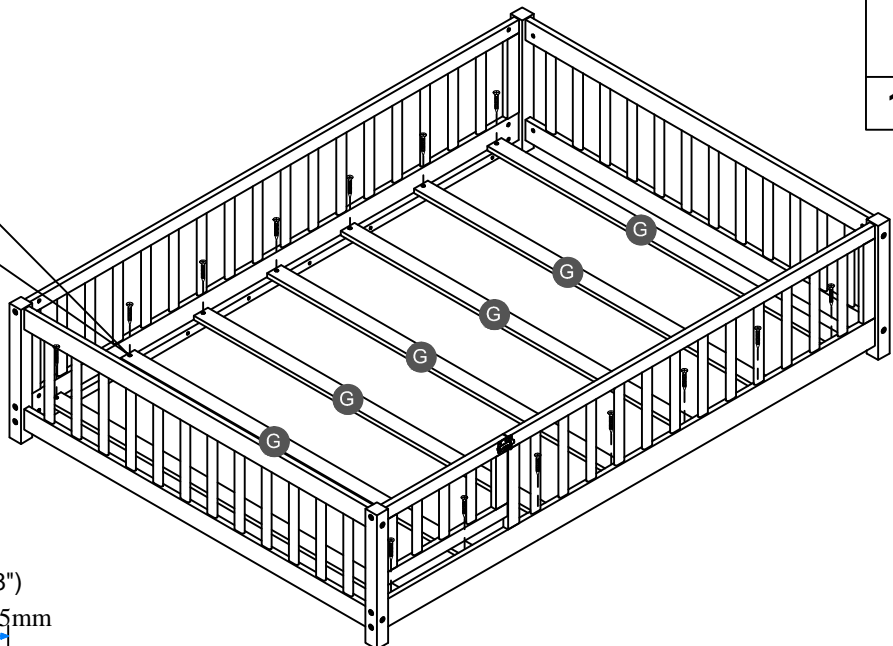
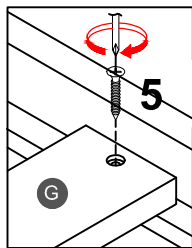
STEP 3:

7	8
	
1PC	6PCS

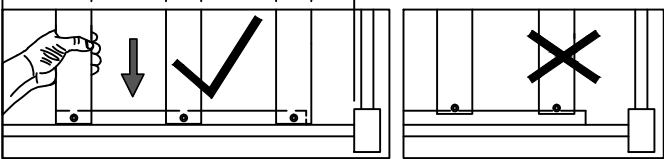


STEP 4:

5

14PCS



(9.2") 234mm (9.2") 234mm (2.8") 70.5mm



Note: Do not lock the screws of the bed slats to the outermost edge of the bed slats, you need to leave a certain space at the edges, otherwise it will cause the board to break. Do not lock the bed slats on the edge of the wood, please hold firmly before screwing , hold it in place with one hand, then lock the screw.