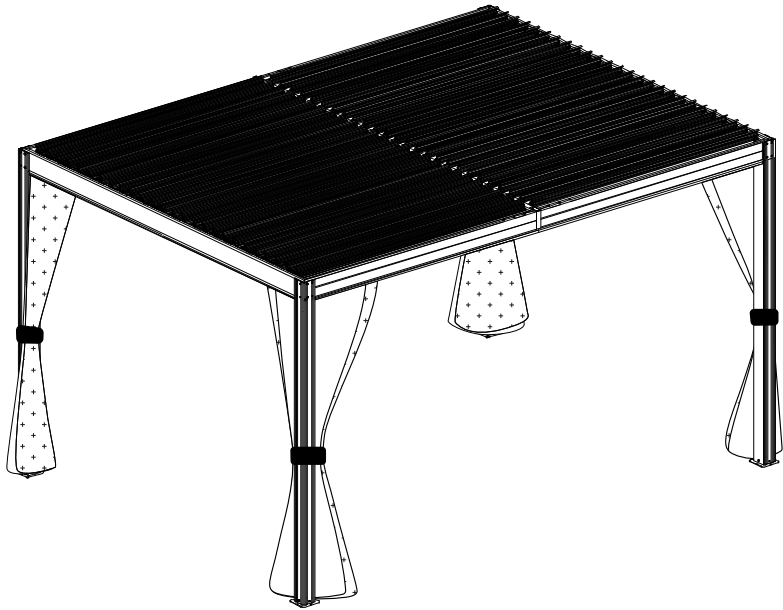




PURPLE LEAF 10' × 13' PERGOLA

ASSEMBLY MANUAL



PURPLE LEAF PRODUCTS

Different language instructions

If you want instructions in Spanish, French, German please contact Purple Leaf customer service.

Wenn Sie Anweisungen auf Spanisch, Französisch oder Deutsch wünschen, wenden Sie sich bitte an den Purple Leaf Kundendienst.

Si desea instrucciones en español, francés o alemán, comuníquese con el servicio de atención al cliente de Purple Leaf.

Si vous voulez des instructions en français, espagnol et allemand, veuillez contacter le service à la clientèle de Purple Leaf.

Warnings and Cautions

Please retain this instruction for future usage and read carefully before assembly.

Make sure you have all the parts & hardware as the item list shows.

2 adults or more are recommended to install your pergola.

Do not discard any of the packaging until you have checked that you have all the parts and pack of fittings.

Check all bolts for tightness before use, and periodically check and tighten bolts to ensure your pergola works properly.

Some parts might have sharp edges/corners. Please follow basic safety precautions to reduce the risk of hurts.

*It is essential to place the pergola on level ground and not less than **6 feet** from any obstruction such as fences, garages, the house, overhanging branches, laundry lines, or electrical wires.*

Ladder is required for the installation.

Never fully tighten the screws until you finish the installation.

CHOKER HAZARD

THIS ITEM CONTAINS SMALL PARTS WHICH CAN BE SWALLOWED BY CHILDREN.

PLEASE KEEP IT AWAY FROM CHILDREN UNDER 3 YEARS OLD AND PETS DURING INSTALLATION.

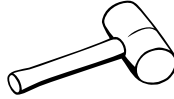
Pre-assembly

TOOLS THAT MAY BE REQUIRED (Not included in boxes)

**NOTE: Tools / equipment are not shown to actual size and scale.*



LEVEL



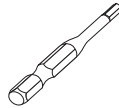
RUBBER Mallet



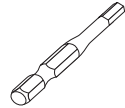
PHILLIPS SCREW



DRILL



ALLEN KEY
(BIT 5/32")



ALLEN KEY
(BIT 7/32")

EQUIPMENT REQUIRED (Not included in boxes)

**NOTE: Equipment are not shown to actual size and scale.*



SAFETY HAT



GLOVES



SAFETY GOGGLES



STEPLADDER

Matters needing attention



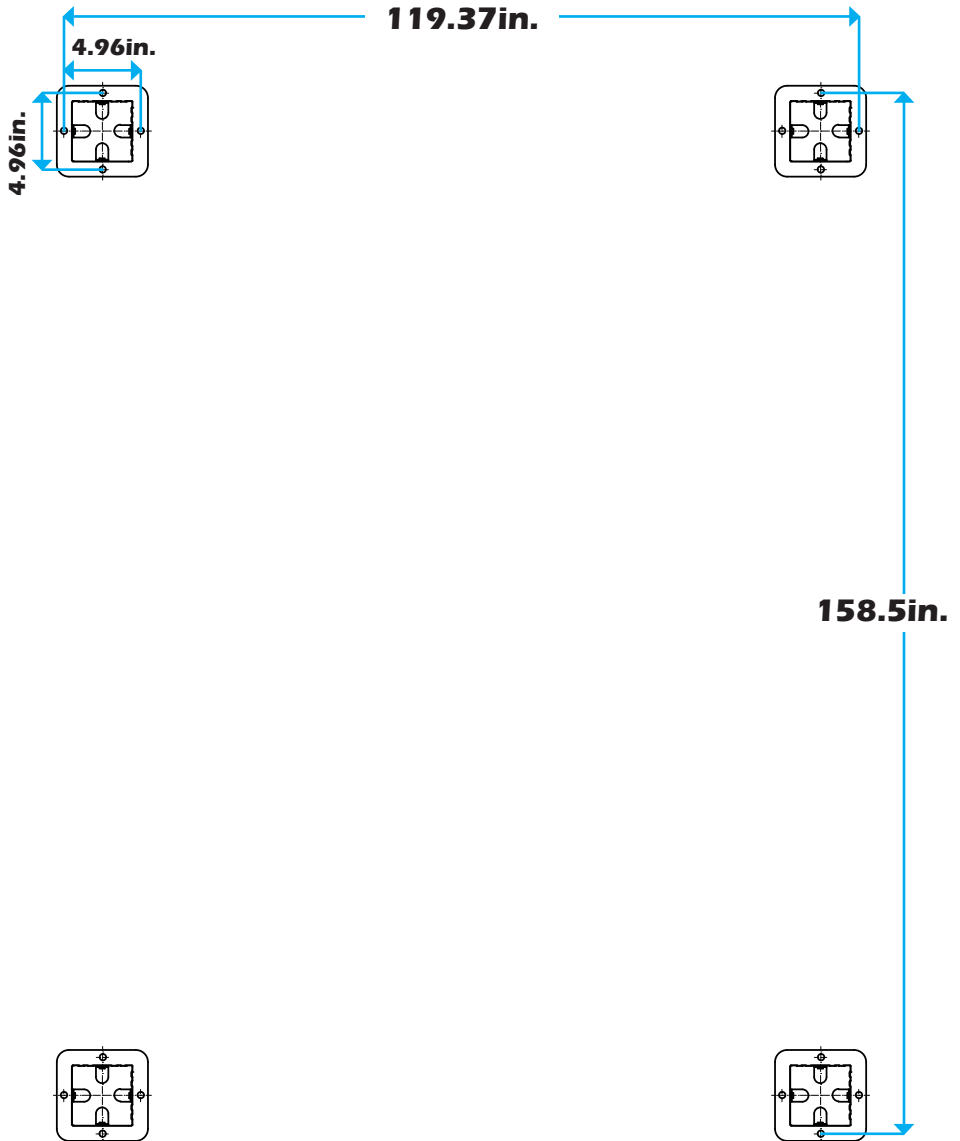
1. Two or more people are required for assembly.



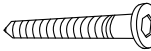
2. Do not fully tighten screws prior to complete assembly.

MOUNTING BLUEPRINT

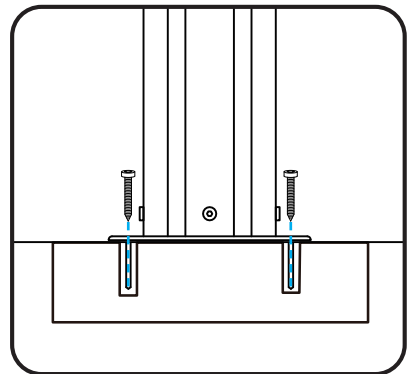
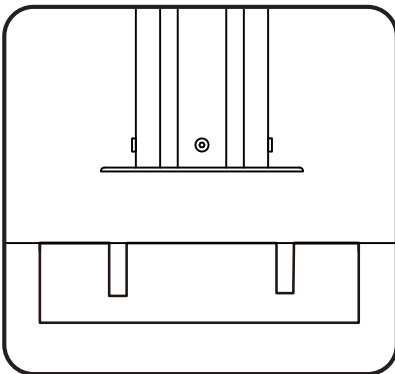
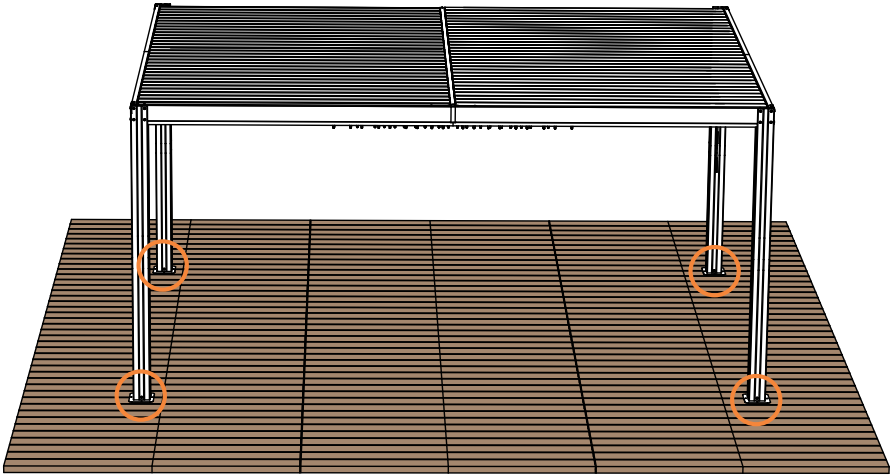
Pergola 10'×13'



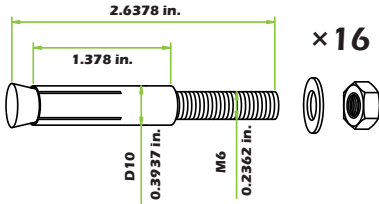
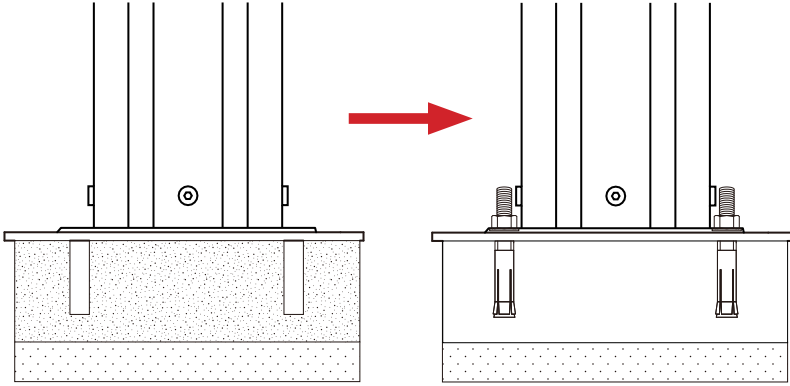
1

 × 16 (not included)

If the deck is hard wood and the depth of it is over 3 inches, you can use **5/16 in. × 4 in. Structural Wood Screw** to mount the pergola.



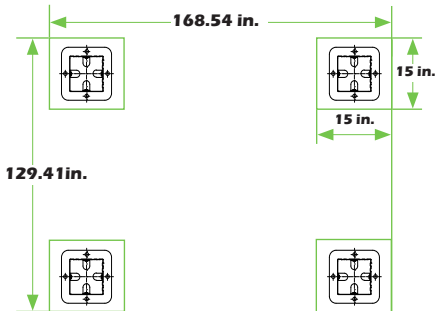
2



(not included)

If the ground is concreted and the depth of it is over 3 inches, you can use 1/4 inch expansion bolts to mount the pergola.

3

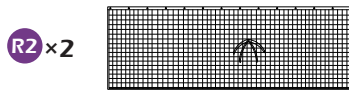
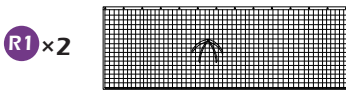
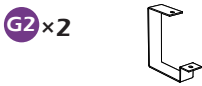
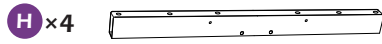
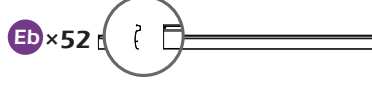
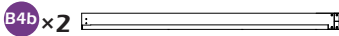
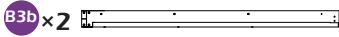
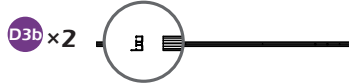
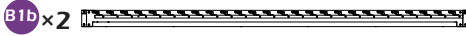
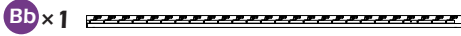
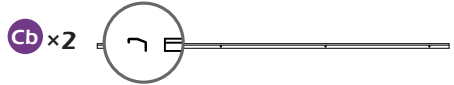
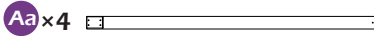
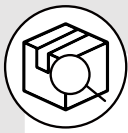


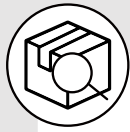
Or you can make a concrete footing for pergola, **15×15×15 inches** is recommended. Use expansion bolts to mount the pergola like ② shows.

IMPORTANT:
Anchor is not recommended



CHECK LIST

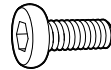




1# ×48
(M6×16)



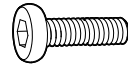
2# ×32
(M6×20)



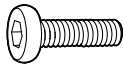
3# ×8
(M5×16)



4# ×24
(M5×30)



5# ×4
(M6×30)



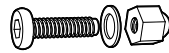
6# ×2
(M6)



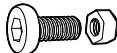
7# ×2
(M8)



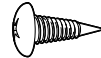
8# ×4
(M8×36)



9# ×4
(M6×16)



10# ×116
(ST4.2×16)



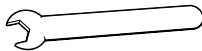
S6 ×1



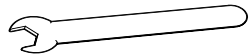
S4 ×1



S10 ×1

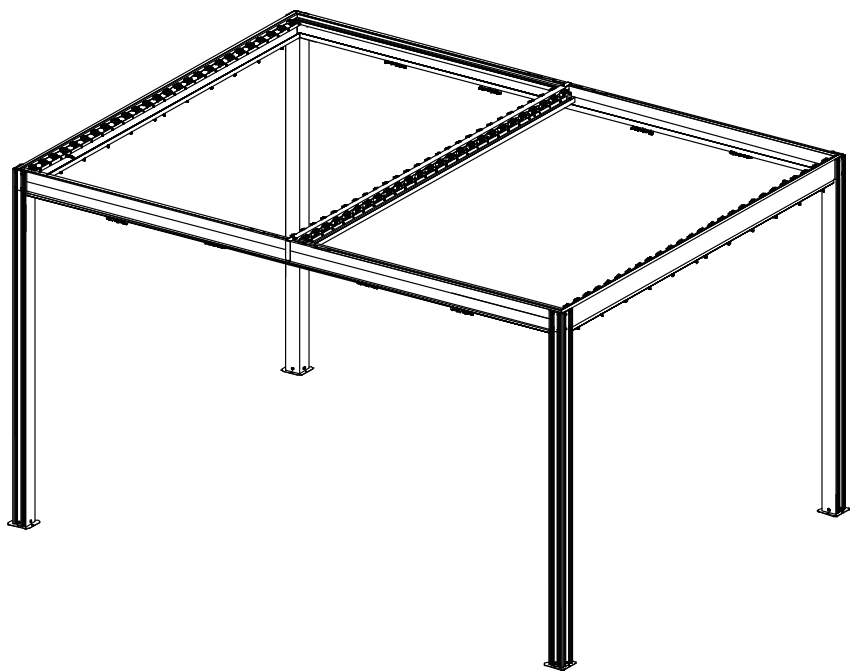


S13 ×2

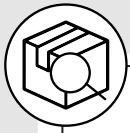


S14 ×1

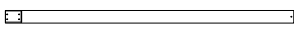




STEP 1



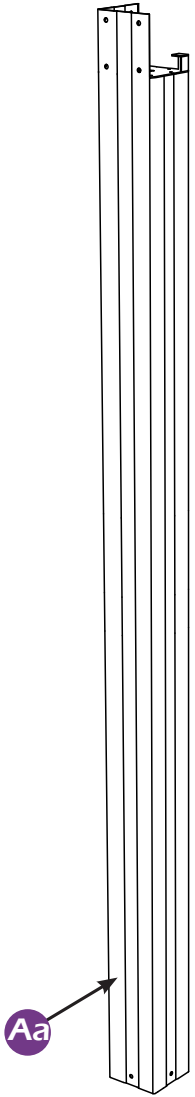
Aa×4



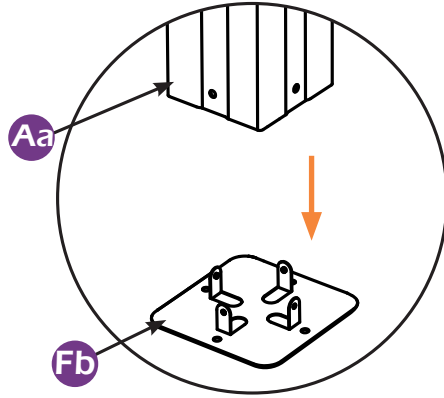
Fb×4



1#×16

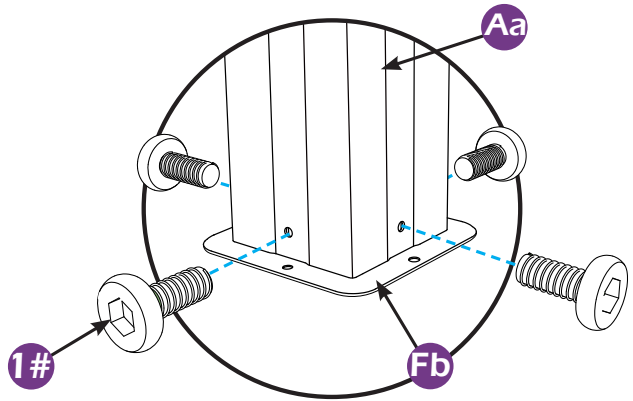


Aa



Aa

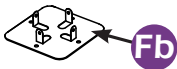
Fb



Aa

1#

Fb

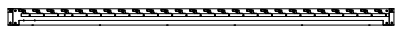


Fb

STEP 1



B1b×2



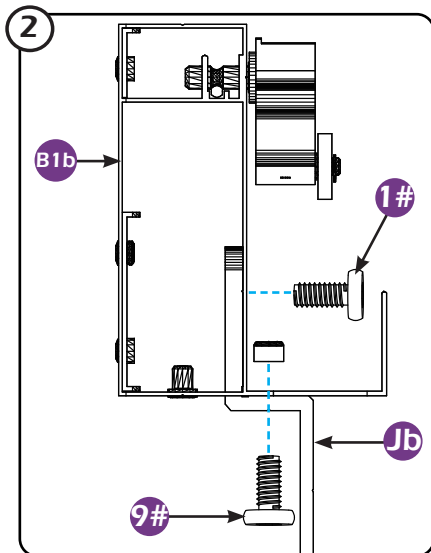
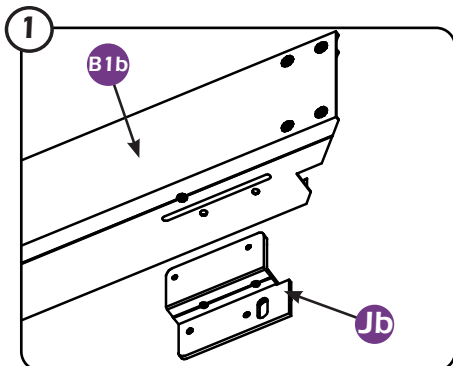
Jb×2



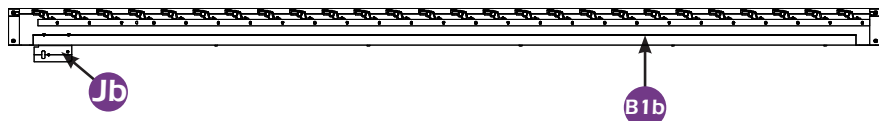
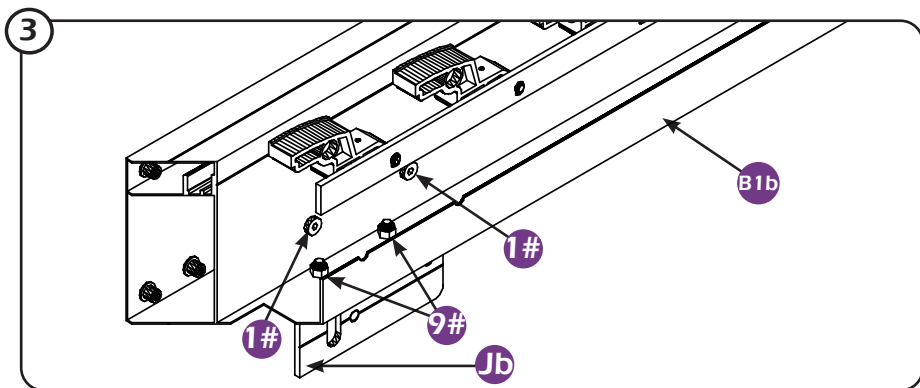
1#×4



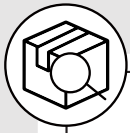
9#×4



Install part **Jb** to **B1b** as the picture ① ② ③ shows.



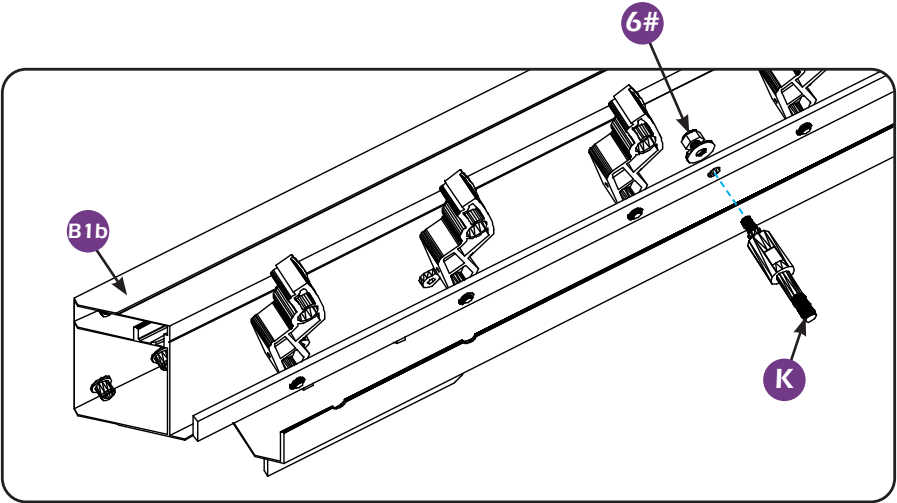
STEP 1



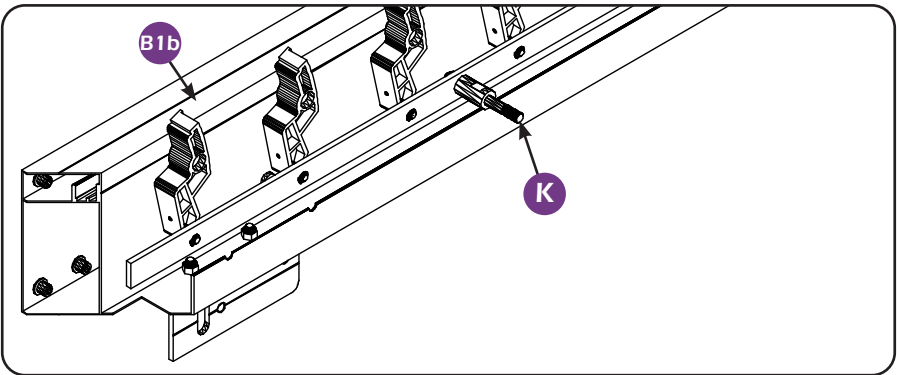
K × 2



6# × 2



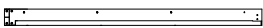
Connect the beam with washers **6#** and **K** bolts.



STEP 1



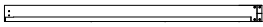
B3b x 2



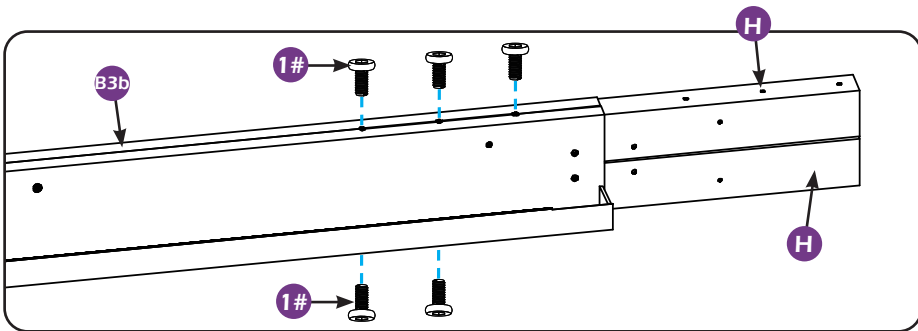
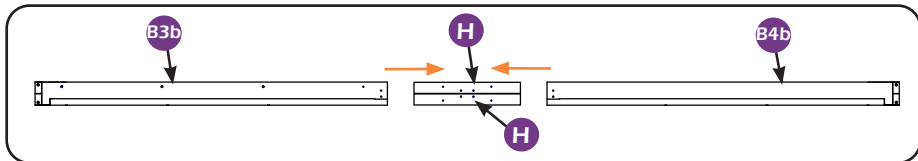
H x 4



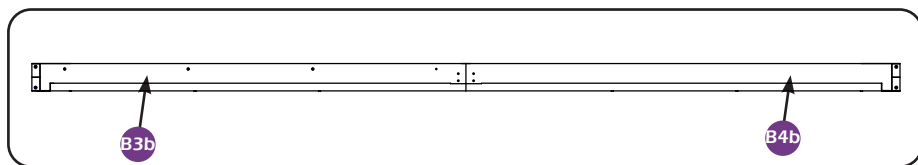
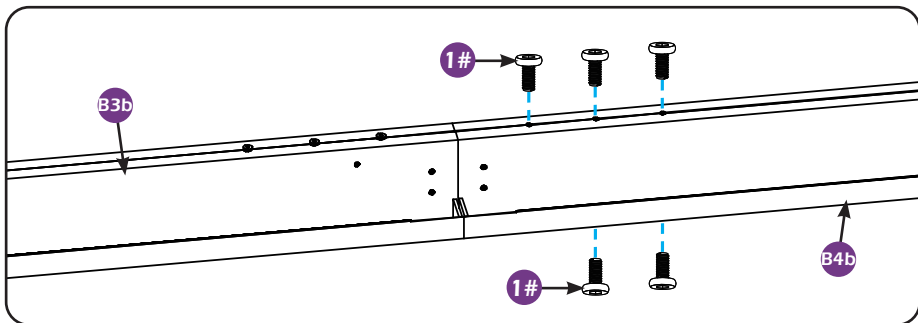
B4b x 2



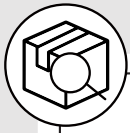
1# x 20



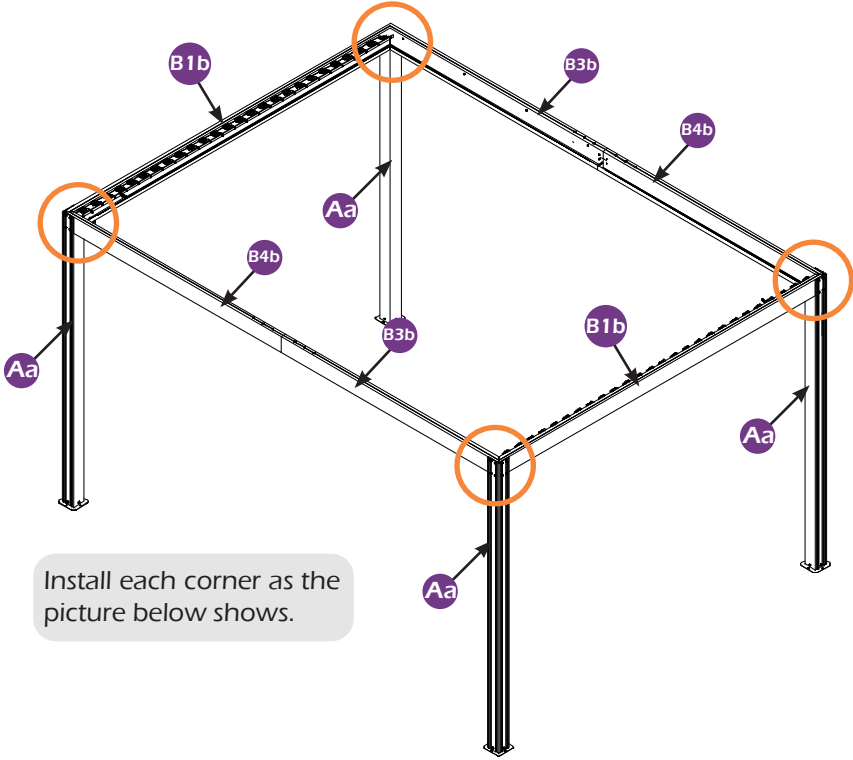
Connect B3b and B4b with part H and 1# screw.



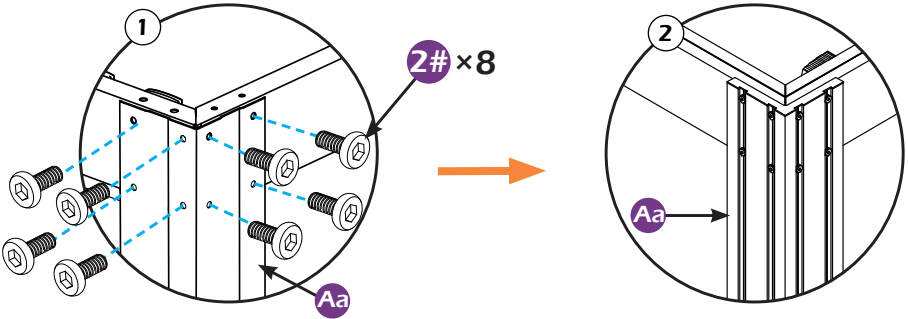
STEP 1



2# × 32




Install each corner as the picture below shows.

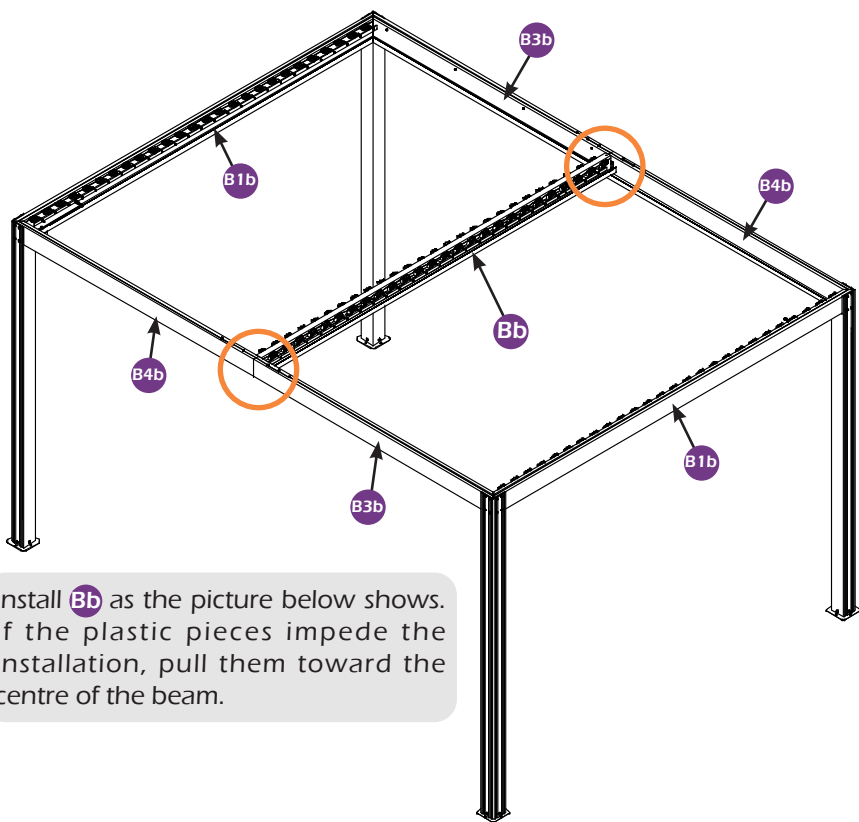


STEP 1

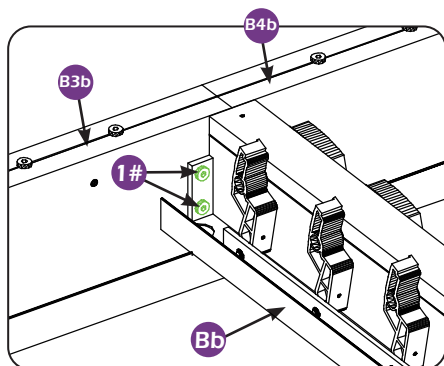
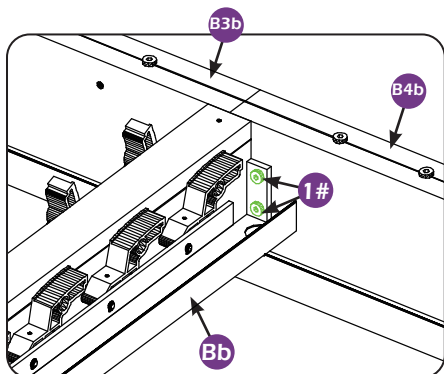


Bb x 1 

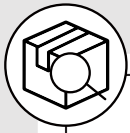
1# x 8 



Install **Bb** as the picture below shows. If the plastic pieces impede the installation, pull them toward the centre of the beam.



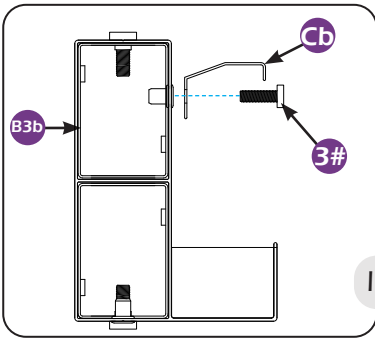
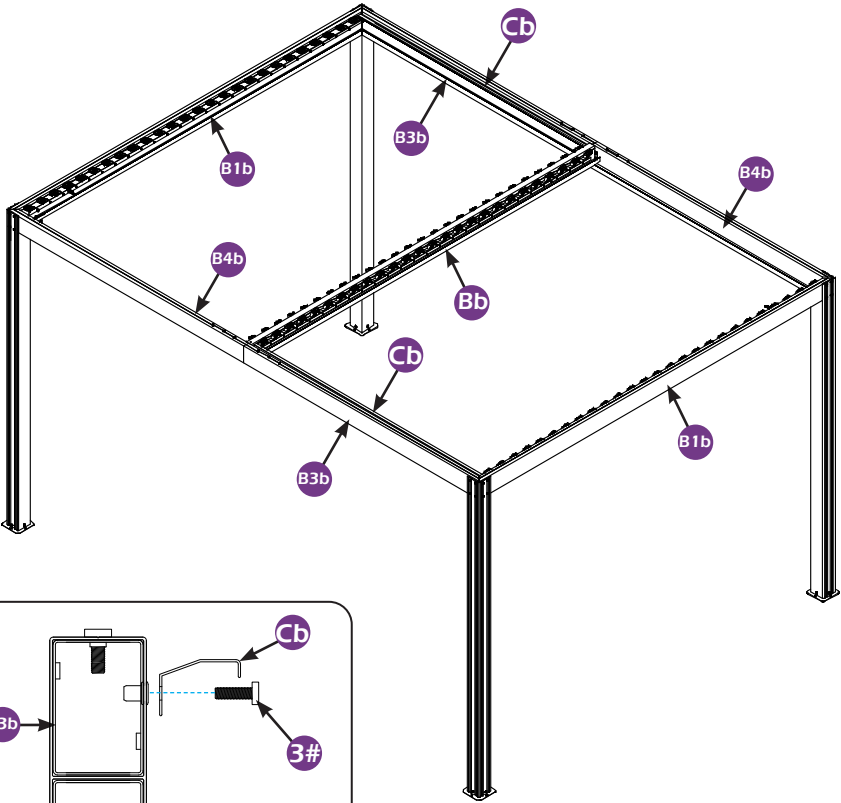
STEP 1



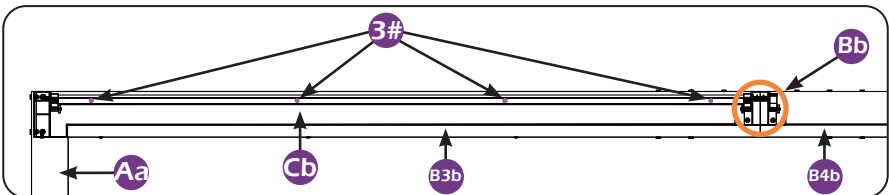
Cb x2



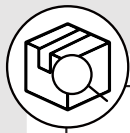
3# x8



Install Cb as the picture below shows.



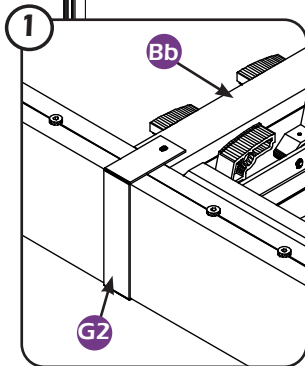
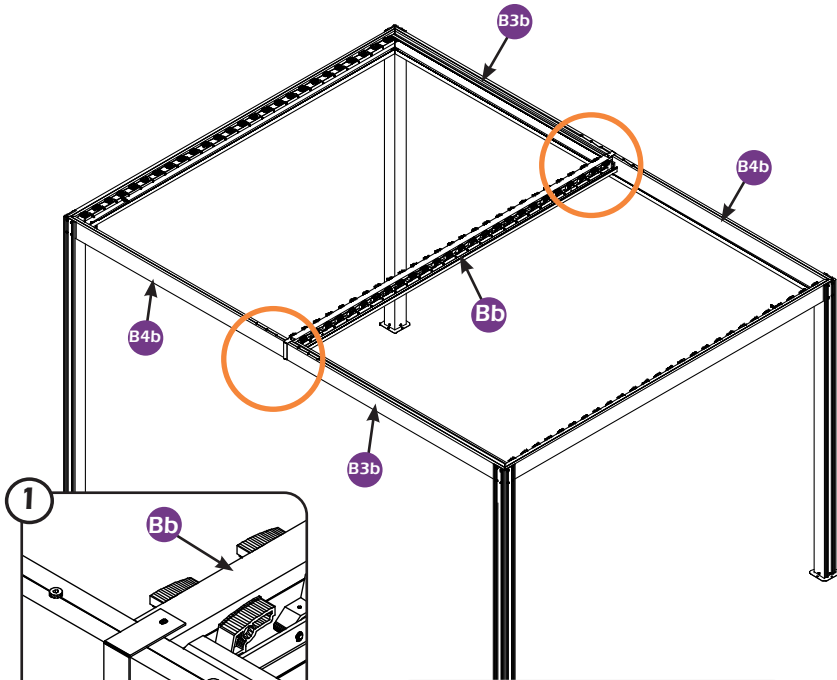
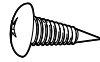
STEP 1



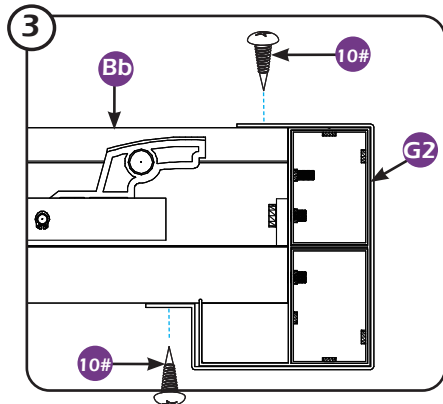
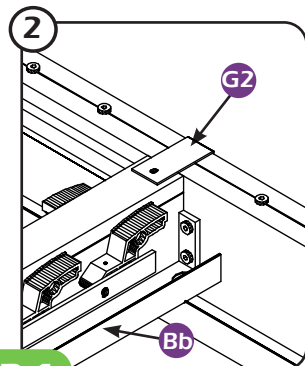
G2×1



10#×4

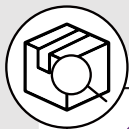


Use 10# bolts to stabilize G2 to the picture below position.



STEP 1

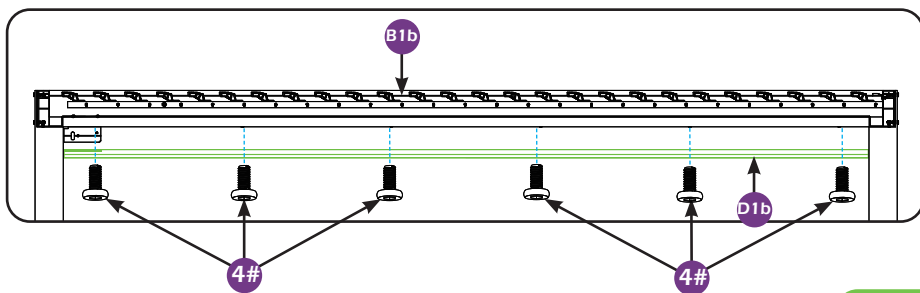
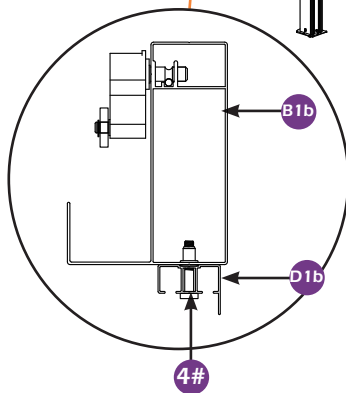
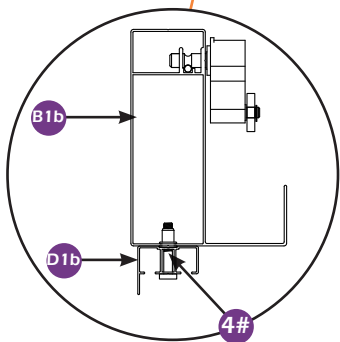
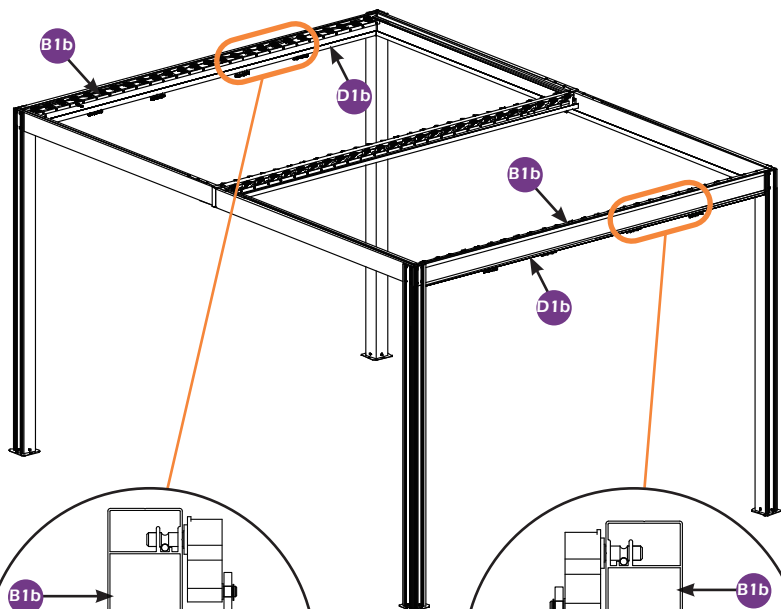
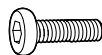
CLIPS AND CURTAINS INSTALLATION



D1b x 2



4# x 12



STEP 1



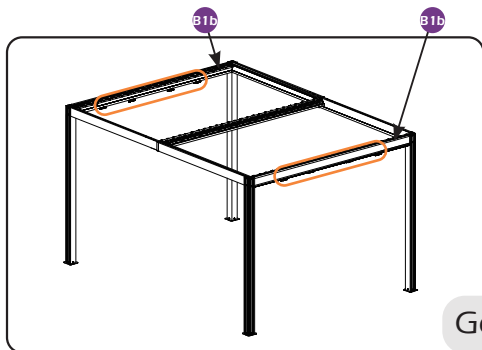
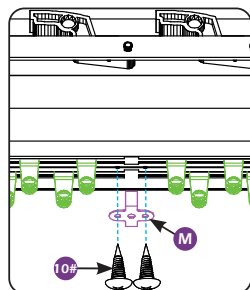
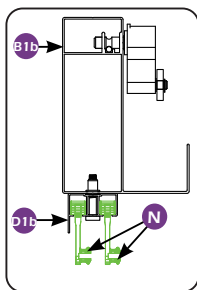
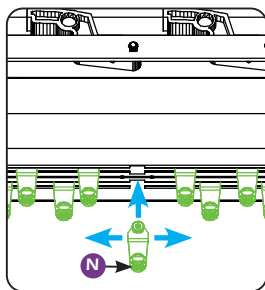
N × 48



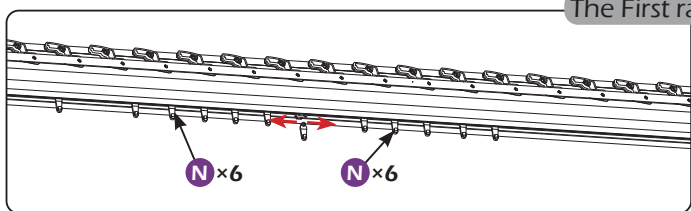
M × 2



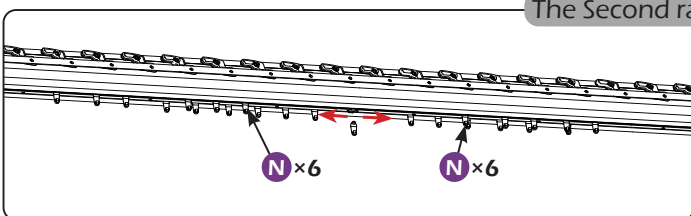
10# × 4



Gently Slide part **N** into the rail.

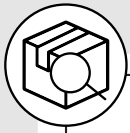


The First rail.



The Second rail.

STEP 1



D3b × 2



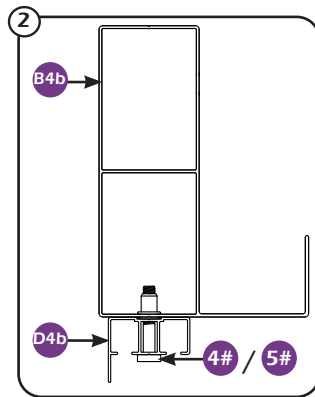
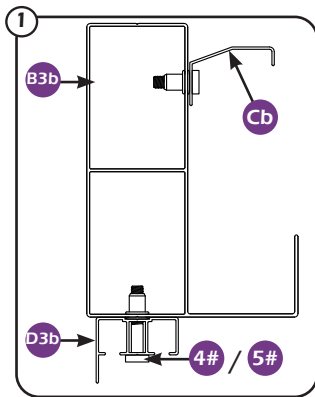
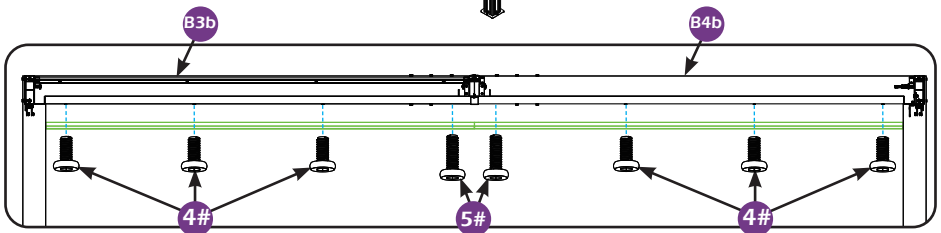
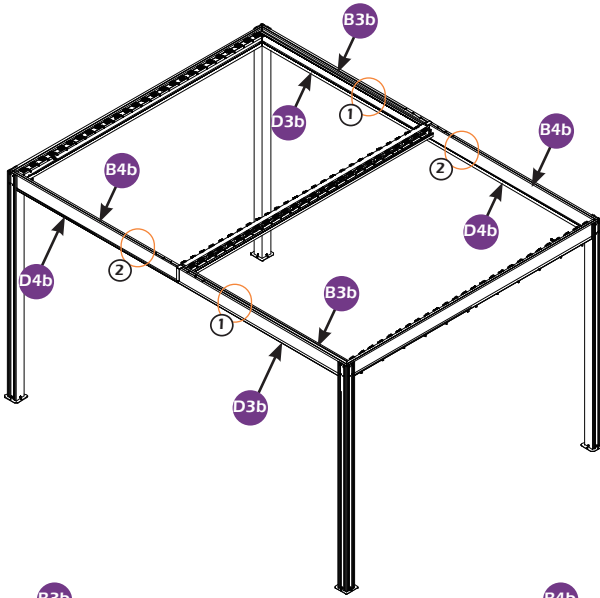
4# × 12



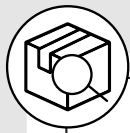
D4b × 2



5# × 4



STEP 1



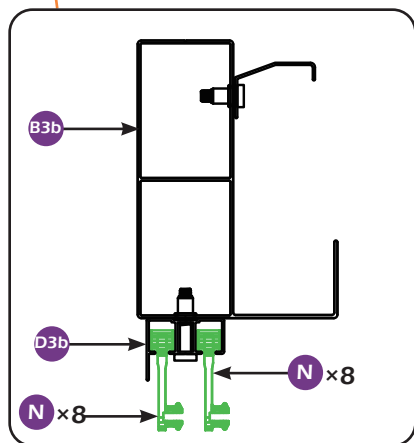
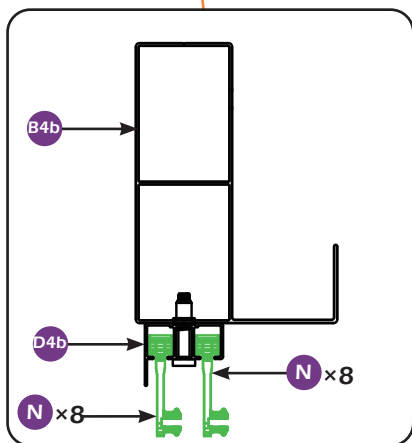
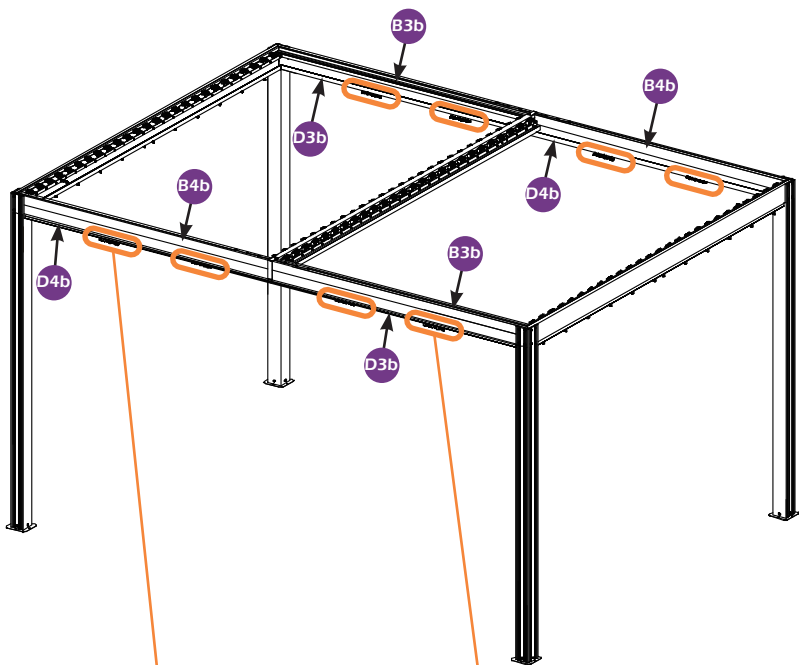
N x64



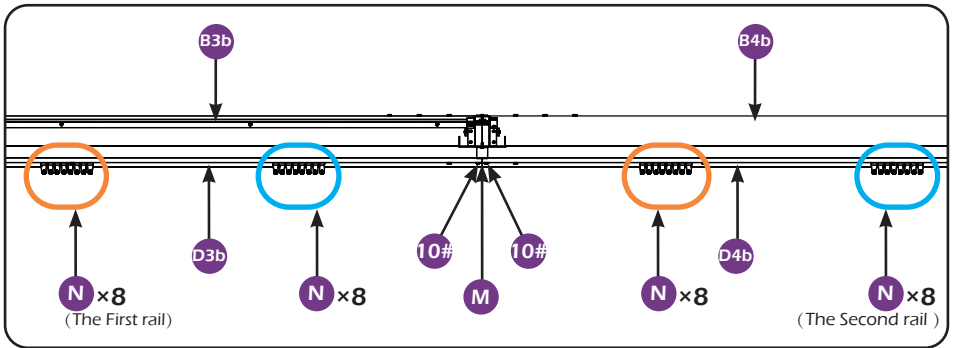
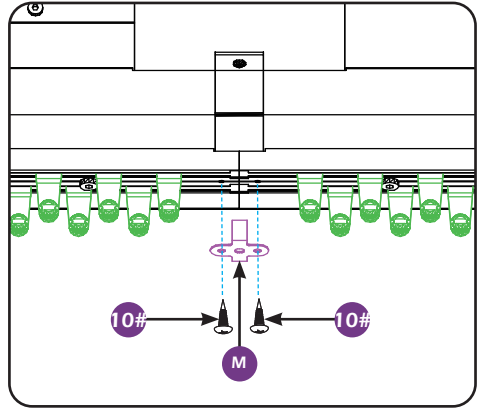
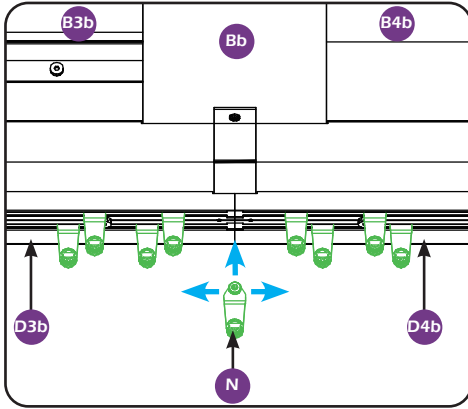
M x2



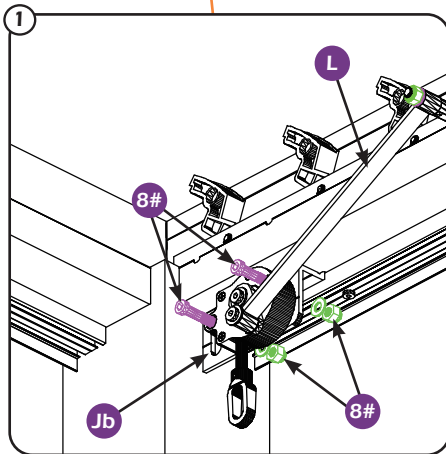
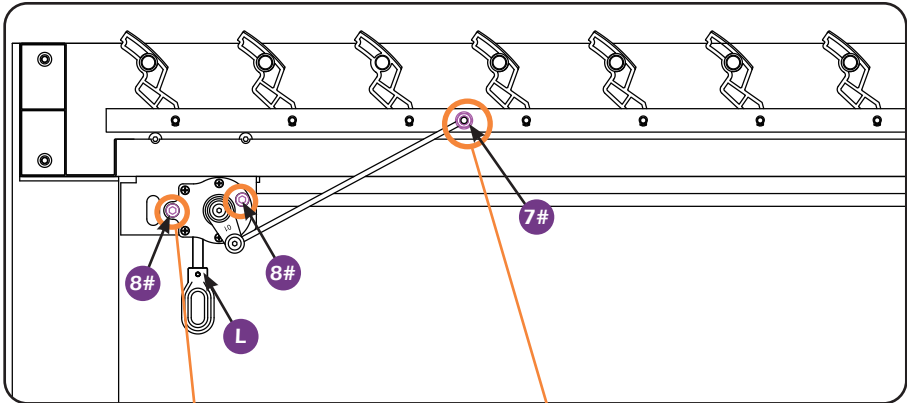
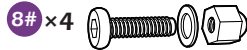
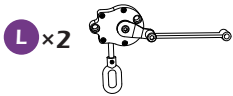
10# x4



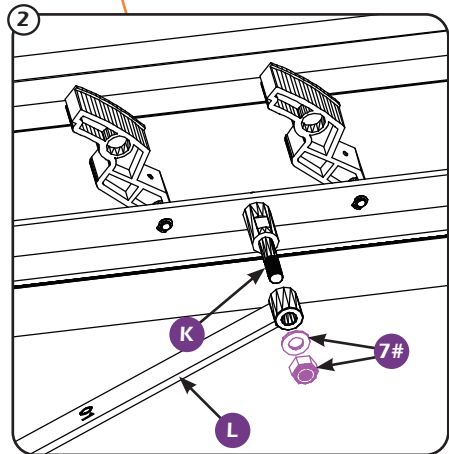
STEP 1



STEP 1

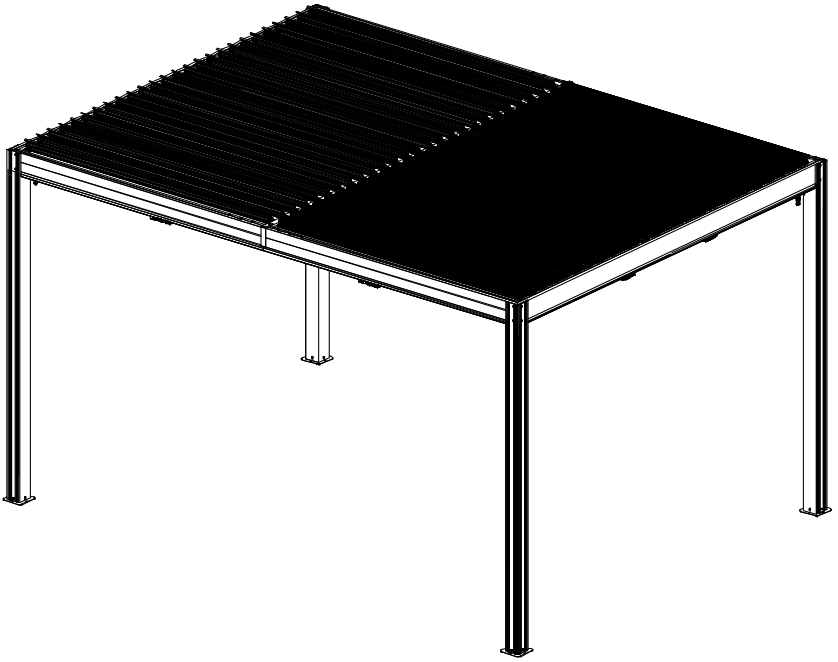


Use 8# bolts and washers to stabilize L to Jb.

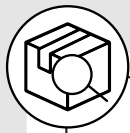


Then install the handle with washers 7# to bolt K as the picture 2 shows.

STEP 1



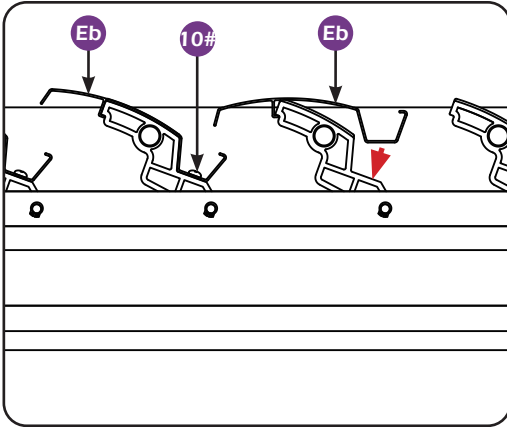
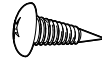
STEP 2



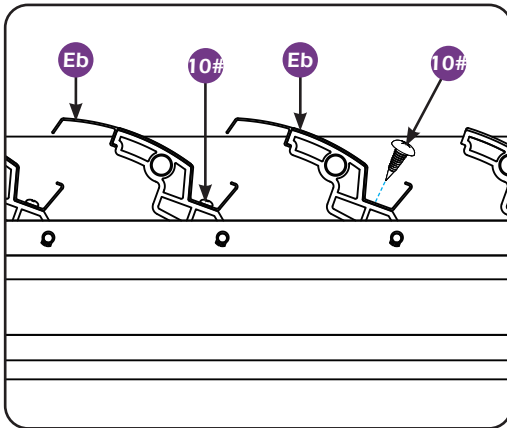
Eb × 52



10# × 104

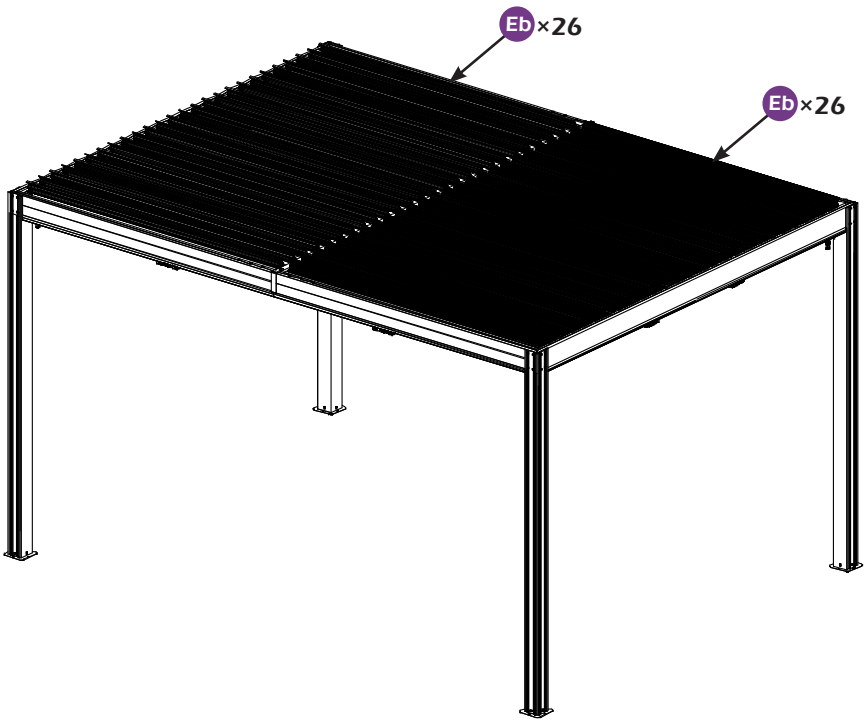
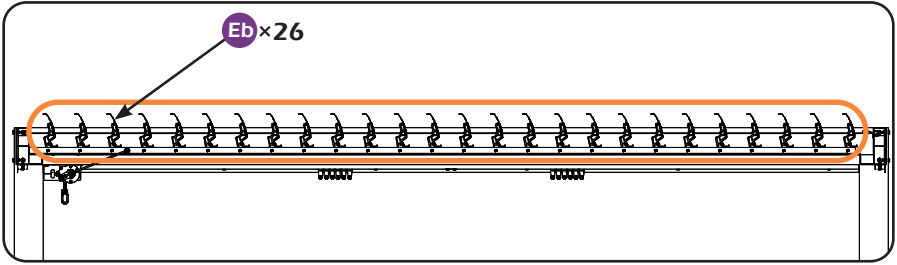


Insert the blade to the clip as the picture shows.



Use 10# bolts to stabilize the blades to the plastic pieces.

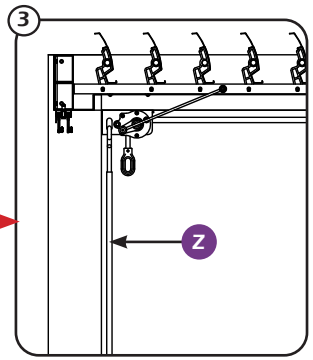
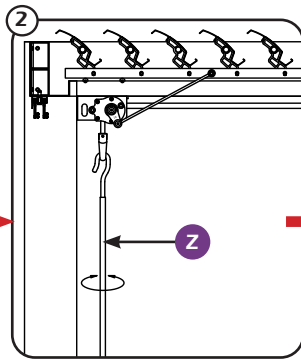
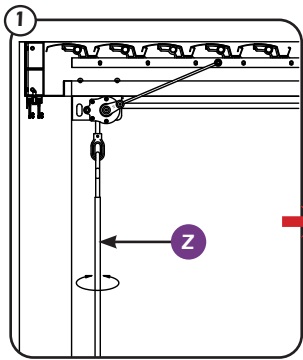
STEP 2



STEP 2



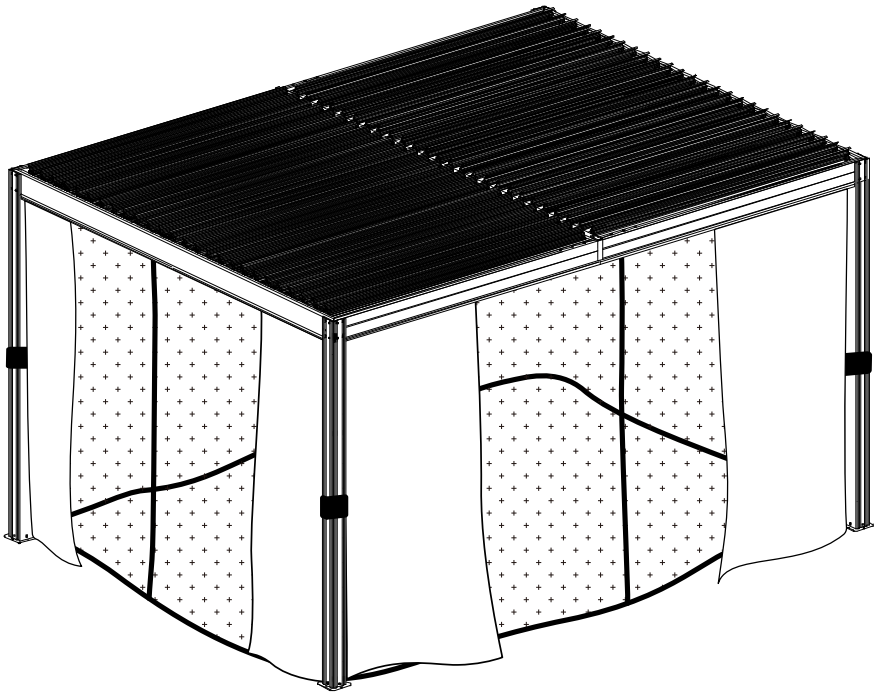
Z x1



Hook the handle **Z** to the ring, rotate it to open/close the blades.



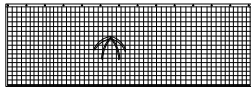
STEP 2



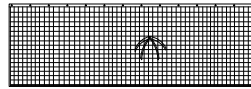
STEP 3



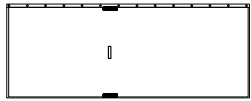
R1 x 2



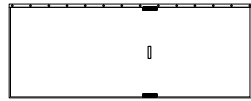
R2 x 2



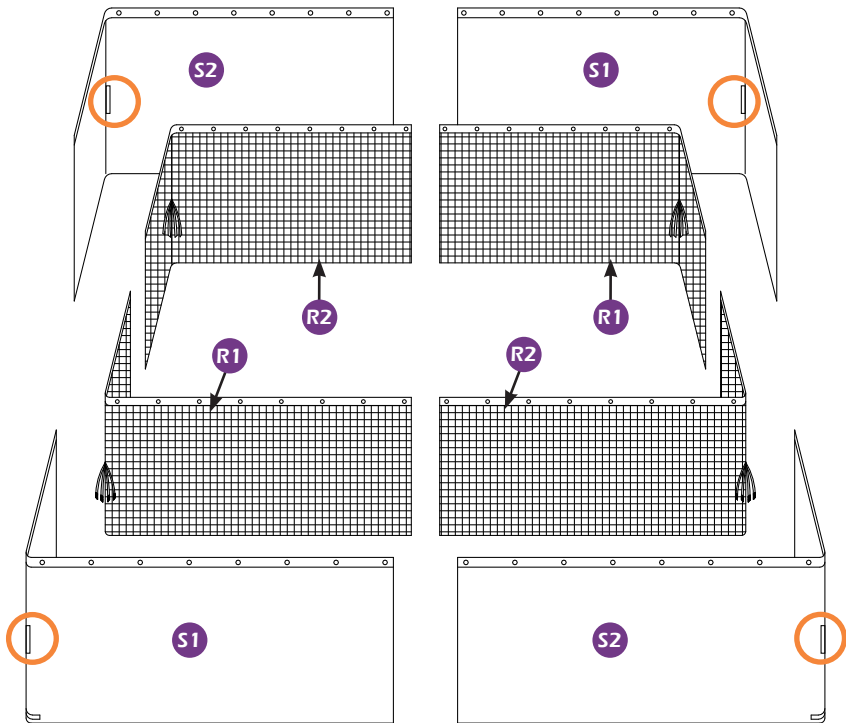
S1 x 2



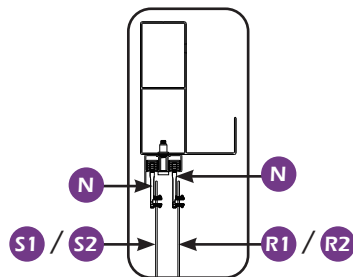
S2 x 2



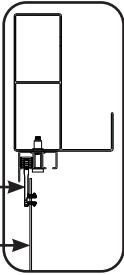
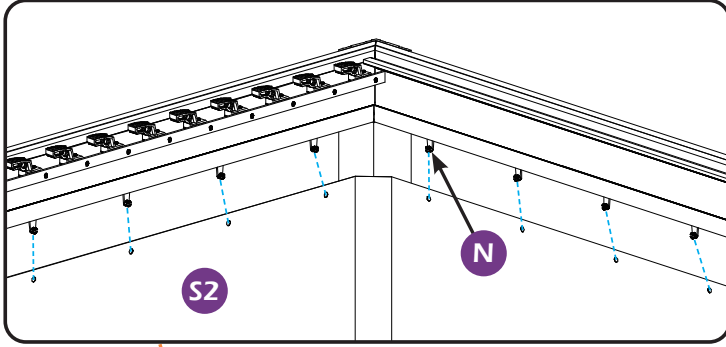
T x 4



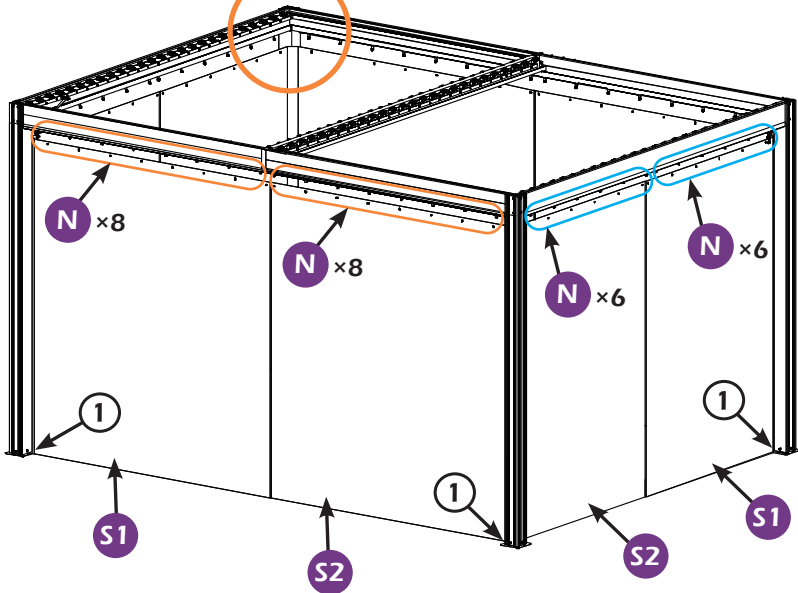
There is a hole in each curtain against each pole.



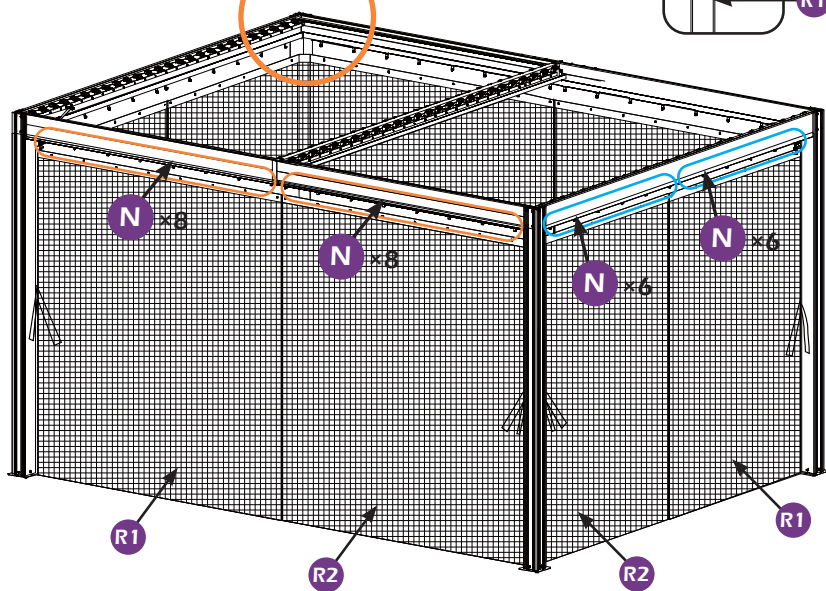
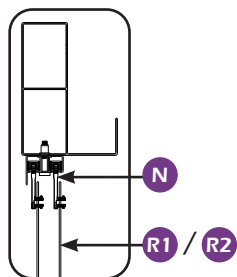
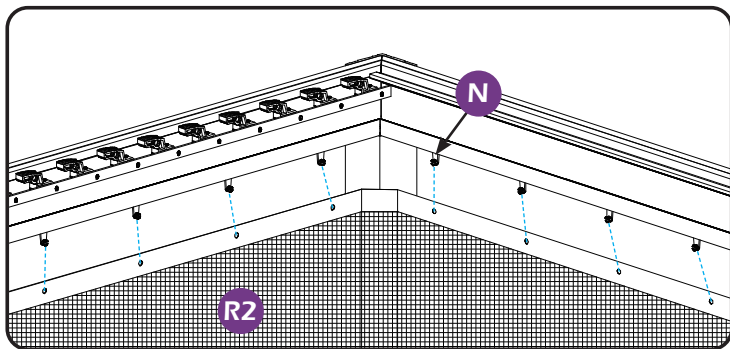
STEP 3



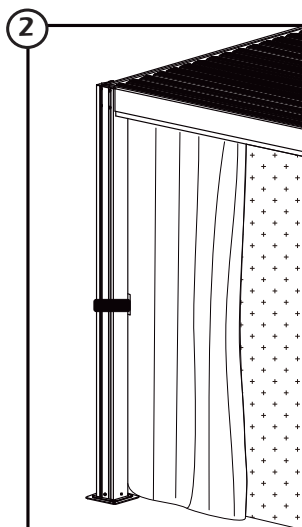
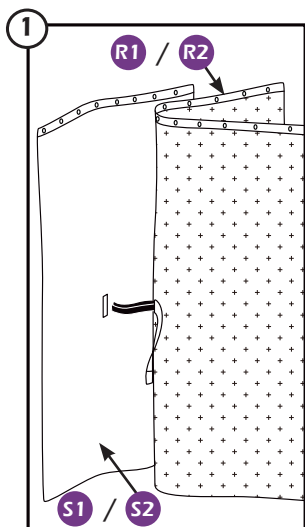
Position ① of the curtains S1/S2 has a tie to attach to the post.



STEP 3

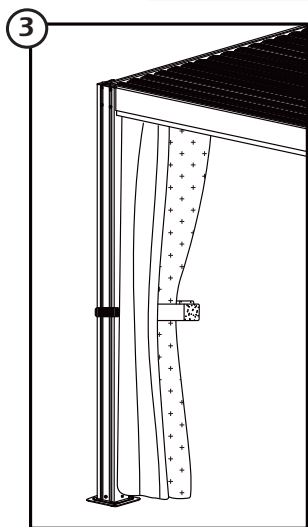


STEP 3

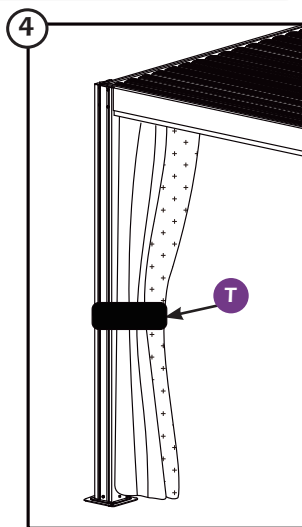


① & ②

Thread the outer belts to the hole on curtains, then use these belts to blind the curtains & netting to the pole.

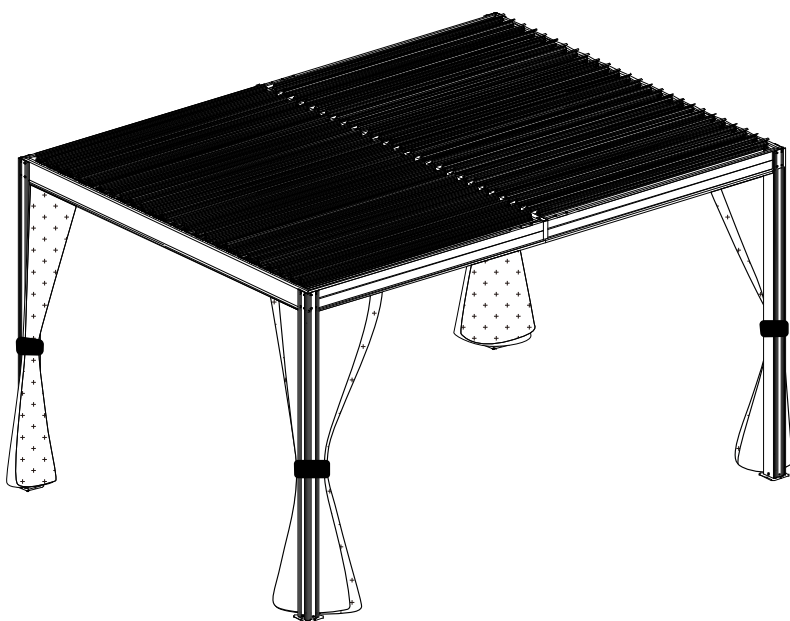
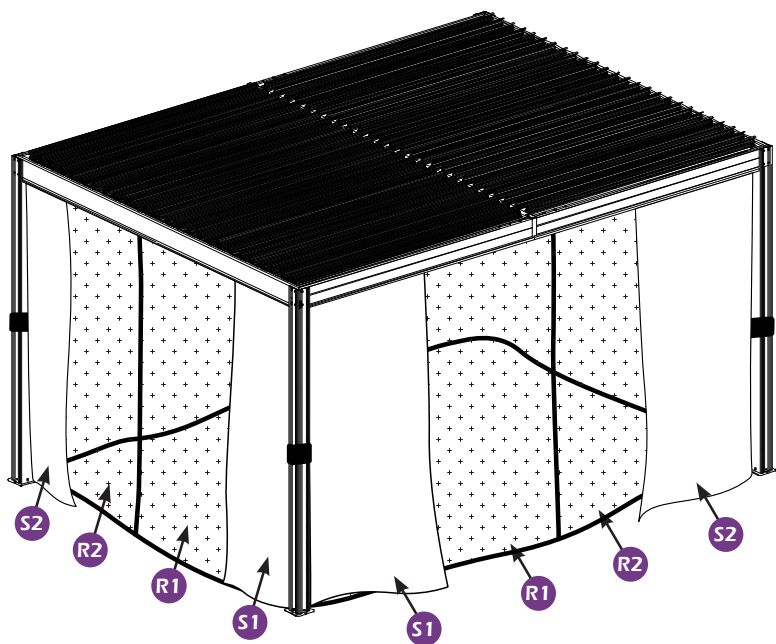


③ Warp the netting with the inner belt.



④ Use the large belt to stabilize curtains & netting to the pole.

STEP 3



STEP 3

Warranty

Frames

Frames constructions are warranted to be free from defects in material and workmanship for 1 year from the item purchased. Damage to frame from negligence won't be covered by this warranty.

Bolts & Nuts

Bolts and nuts are warranted to be free from defects in material and workmanship for 1 year from item purchased. Damage from exposure to chemicals (including not only oils, spills, fluids) won't be covered by this warranty.

Curtains & Netting

Curtains and netting are warranted to be free from defects in material and workmanship for 1 year from item purchased. Damage from exposure to chemicals (including but not only oils, spills, fluids) won't be covered by this warranty.

Warranty Limitation

This warranty is for the original purchase order only. (Order number required.) This warranty is non-transferable. Purple Leaf is responsible for the free replacement part including shipping charges for the 1 year warranty.

Warranty Exclusion

This warranty does not cover products subject to negligence, abuse usage, inappropriate installation. Purple Leaf reserves the right to explain warranty exclusions. When the replacement item is applied, the 1 year warranty automatically expires. Please feel free to contact us for applying warranty.



Purple Leaf Inc.
1820 E Locust St, Ontario
CA, 91761, US
pergola2@purpleleafgarden.com
©Copyright 2016-2023 Purple Leaf Inc.
All Rights Reserved