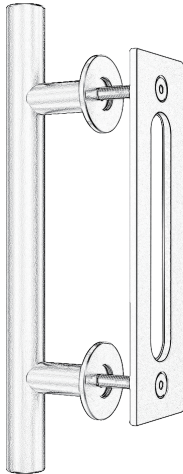


12" Sliding Barn Door Handle Carbon Steel Round



E-Mail: hello@room-tec.com

Heart For Service

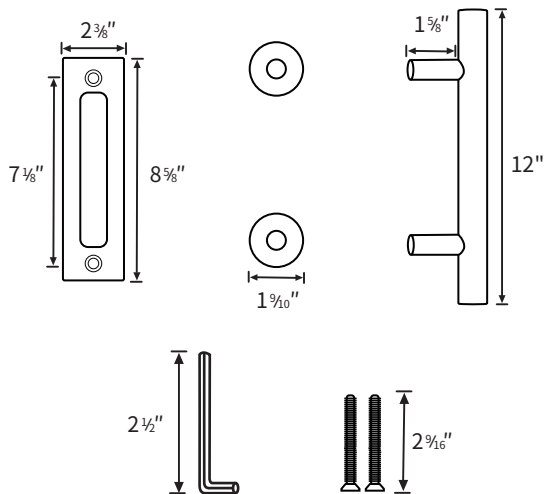
Your feedback and comments are important to us and we encourage you to email us directly for listed conditions:

- 1. Product doesn't work
- 2. The item and descriptions are not match
- 3. Product damaged in transit
- 4. Miss to receive part accessories
- 5. Need technical supports
- 6. Discount for bulk orders
- 7. Indicate the issues and win 10% coupons

*We always at your service 7days in 24hrs
YOUR SATISFACTION IS OUR RESPONSIBILITY!*

Package Included

Unit: inch

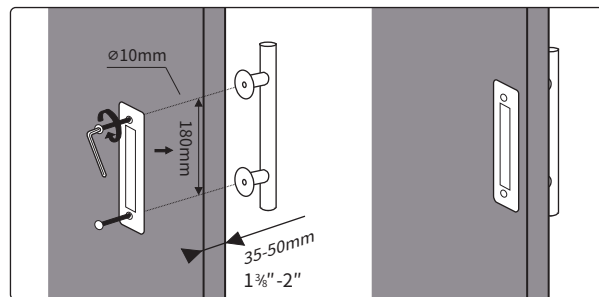


- Our products are made of high-quality materials, and each process and parts also pursue exquisite workmanship.

Installation steps

Step 1: Drill holes at the desired location.

Step 2: Place the pull handle and flush finger pull to the holes (sandwich the door) and use the L wrench and screws to mount the pull handle and the flush.



Tips: Please choose the screws according to the thickness of your door.