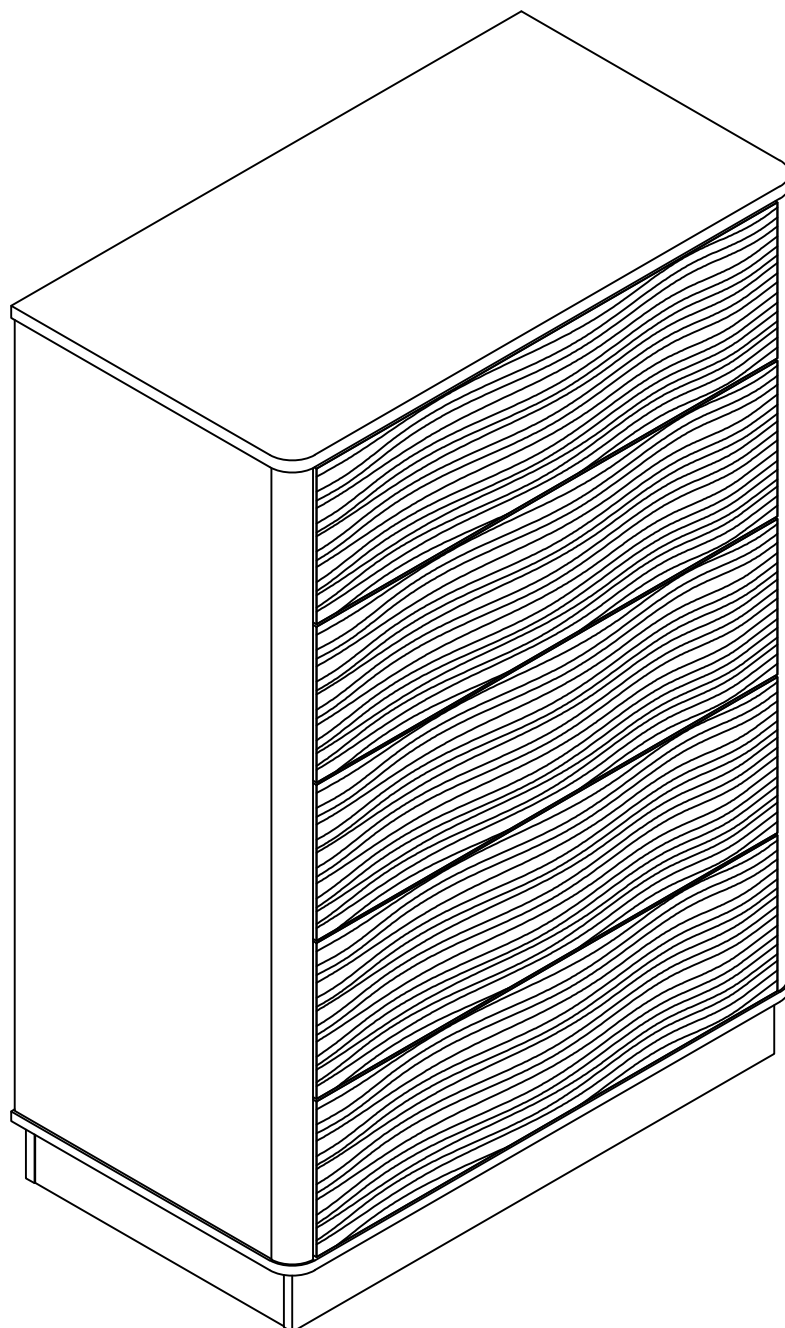


Drawer Dresser USER MANUALL



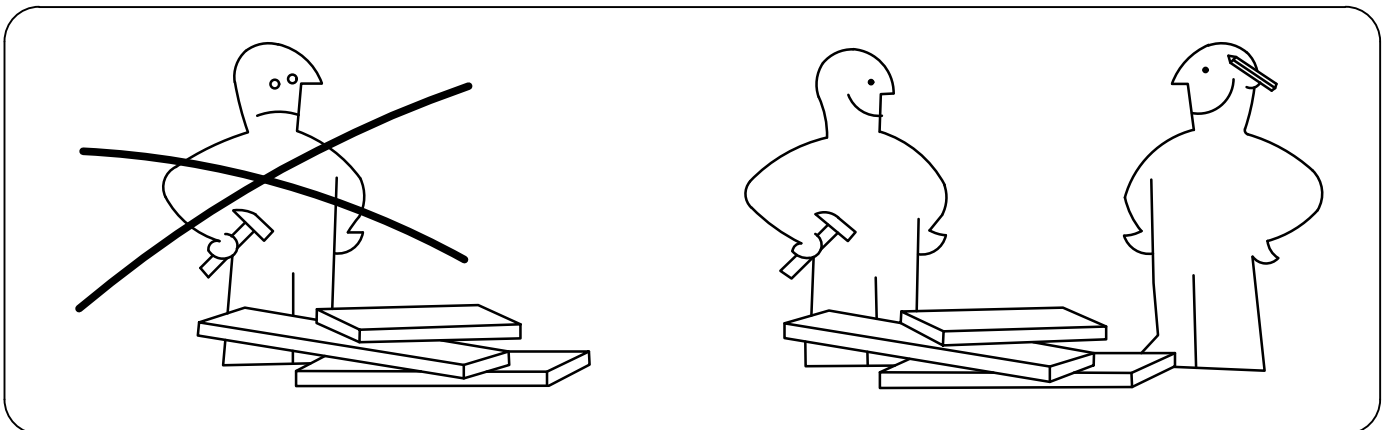
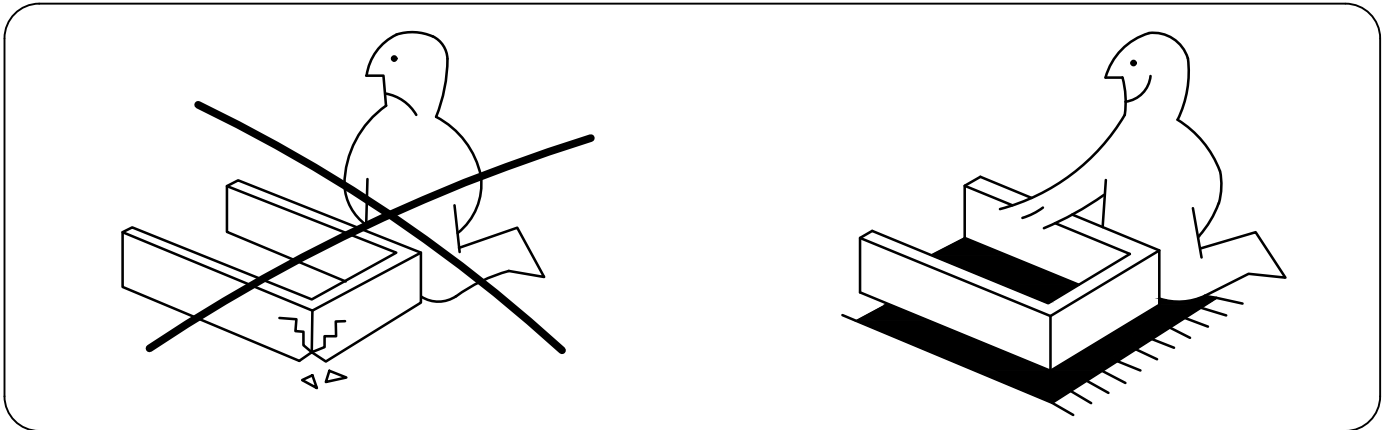
Customer Service Emails
US@JANFLY.COM
EU@JANFLY.COM

JFLDG2512

Version:1.0

INTRODUCTION

Thank you for purchasing our products. Committed to providing customers with the best quality products and service has always been our lifelong goal. Before using the product, please read this instruction manual carefully to ensure correct use. Keep the instruction manual in a place where the user can find it at any time.



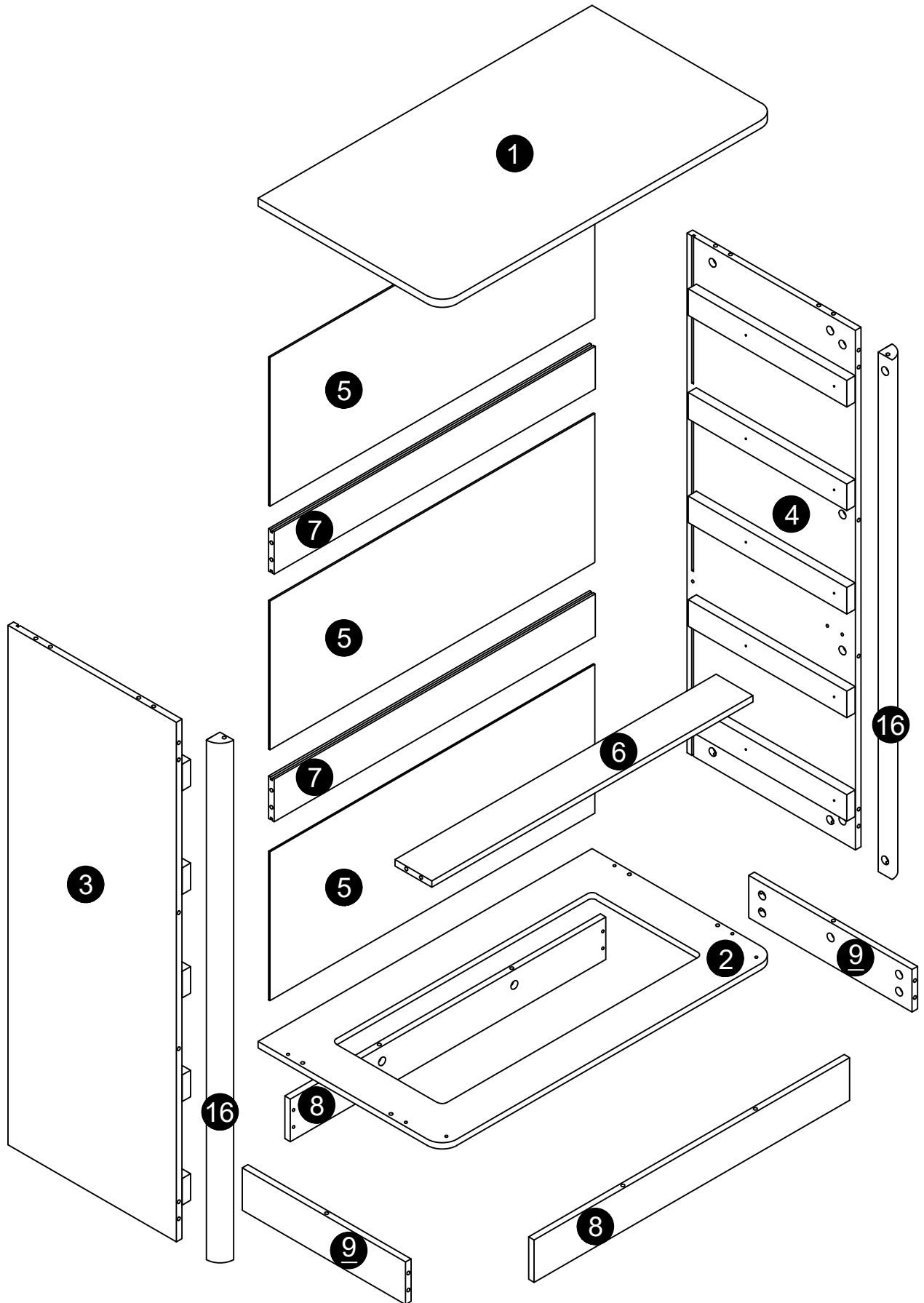
PRECAUTIONS

1. There are many components and accessories in the package. Each component and accessory is labeled with a letter or a number, check carefully before using any of them. Keep them away from children to prevent accidents.
2. Please install the product on a clean and soft underlay (such as carpet or cardboard) to avoid scratching or damaging the surface of the product.
3. The main components of the product is relatively heavy. Please pay attention to safety during installation.
4. The product is not stable during installation. Please do not move it randomly before it is completely installed.
5. If you have any questions during installation, please contact the customer service in time.

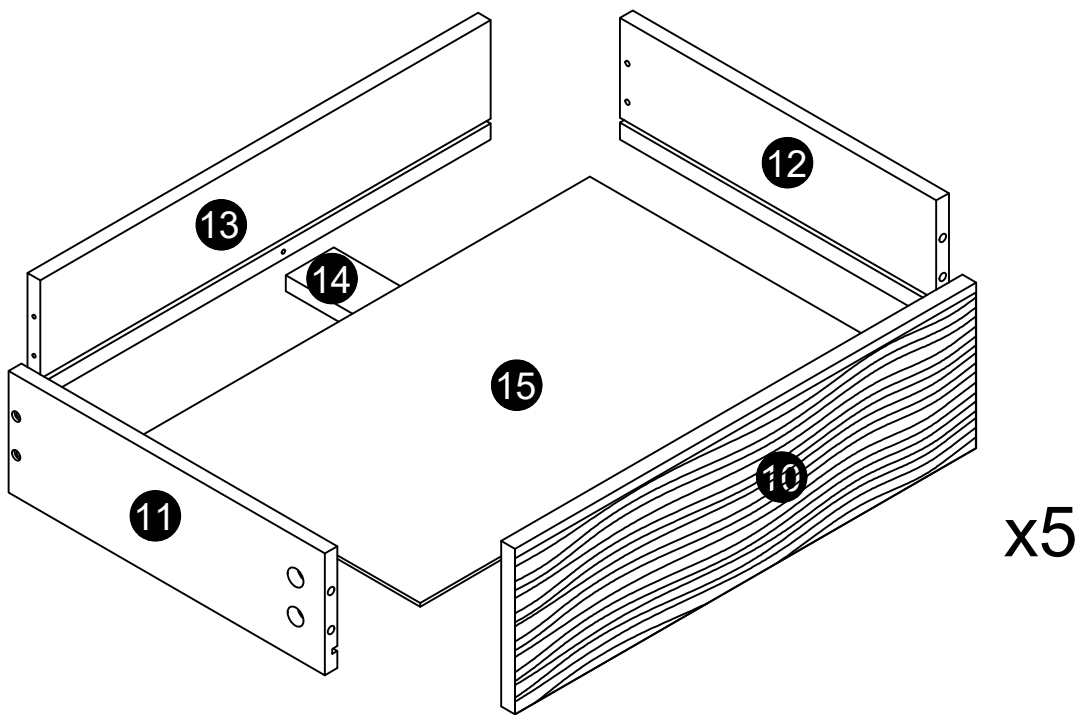
***PLEASE BE SURE TO FOLLOW THE INSTALLATION STEPS IN THE MANUAL TO AVOID UNNECESSARY LOSSES CAUSED BY IMPROPER INSTALLATION.**

***IF YOU NEED FURTHER ASSISTANCE, PLEASE CONTACT THE CUSTOMER SERVICE ONLINE.**

PANEL LAYOUT

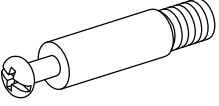
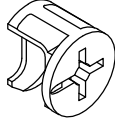
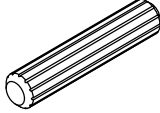
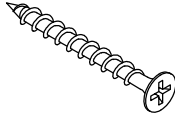
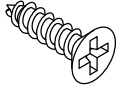
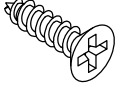
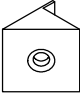
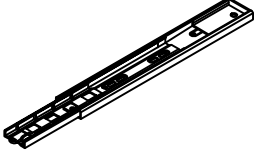
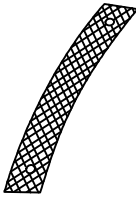
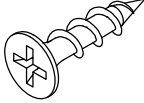
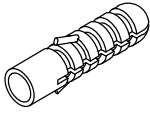
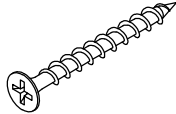


Due to the large number of boards, in order to facilitate the installation, please place the boards in order after opening the parcel and then start the installation.

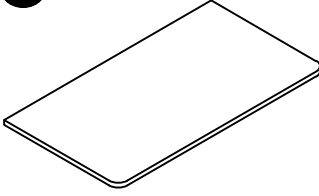
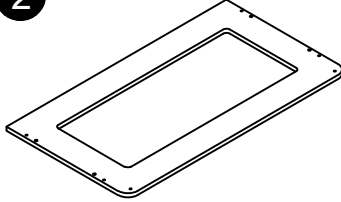
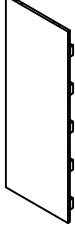
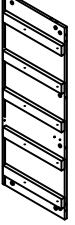
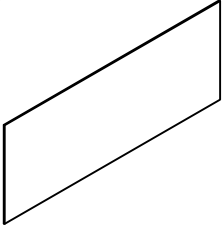
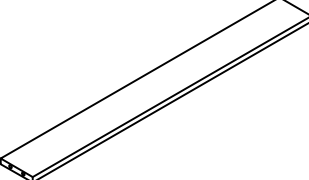
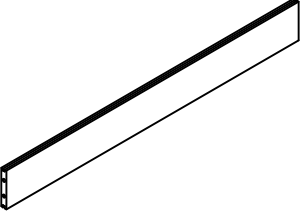
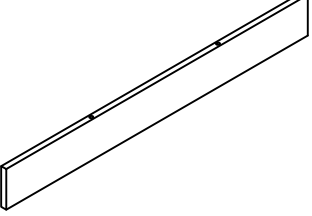
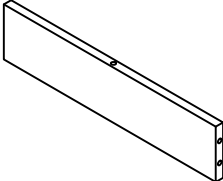
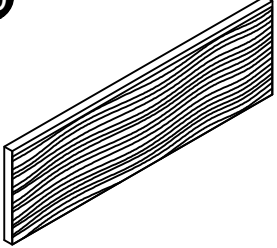
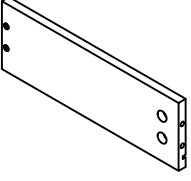
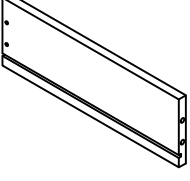
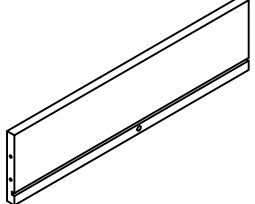
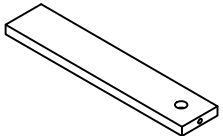
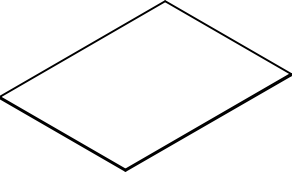
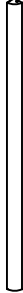


Due to the large number of boards, in order to facilitate the installation, please place the boards in order after opening the parcel and then start the installation.

HARDWARE LIST

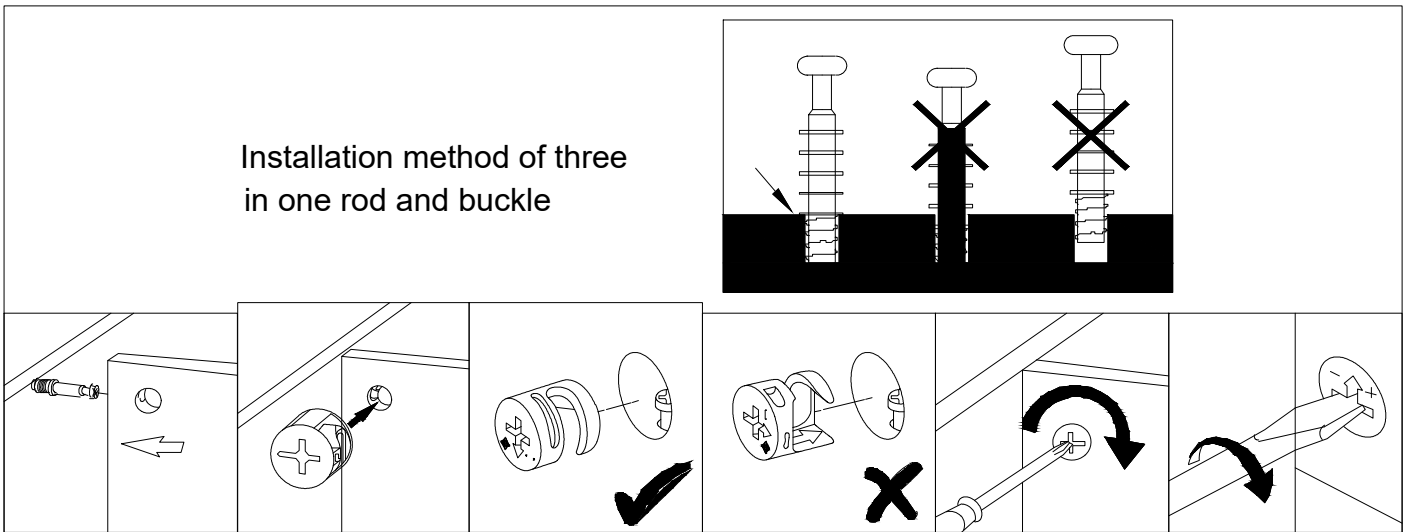
<p>A</p>  <p>6×35mm 71(+2)PCS</p>	<p>B</p>  <p>71(+2)PCS</p>	<p>C</p>  <p>6×35mm 12(+1)PCS</p>	<p>D</p>  <p>M3.5×35mm 25(+2)PCS</p>	<p>E</p>  <p>M3.5×12mm 40(+2)PCS</p>
<p>F</p>  <p>M3×14mm 12(+1)PCS</p>	<p>G</p>  <p>15×14×10mm 12(+1)PCS</p>	<p>H</p>  <p>5PCS</p>		
<p>N</p> <div style="display: flex; justify-content: space-around; align-items: flex-start;"> <div style="text-align: center;">  <p>N1</p> </div> <div style="text-align: center;">  <p>N2 M3.5×15mm</p> </div> <div style="text-align: center;">  <p>N3</p> </div> <div style="text-align: center;">  <p>N4 M3.5×35mm</p> </div> </div> <p style="text-align: center; margin-top: 10px;">2PCS</p>				

PANEL LIST

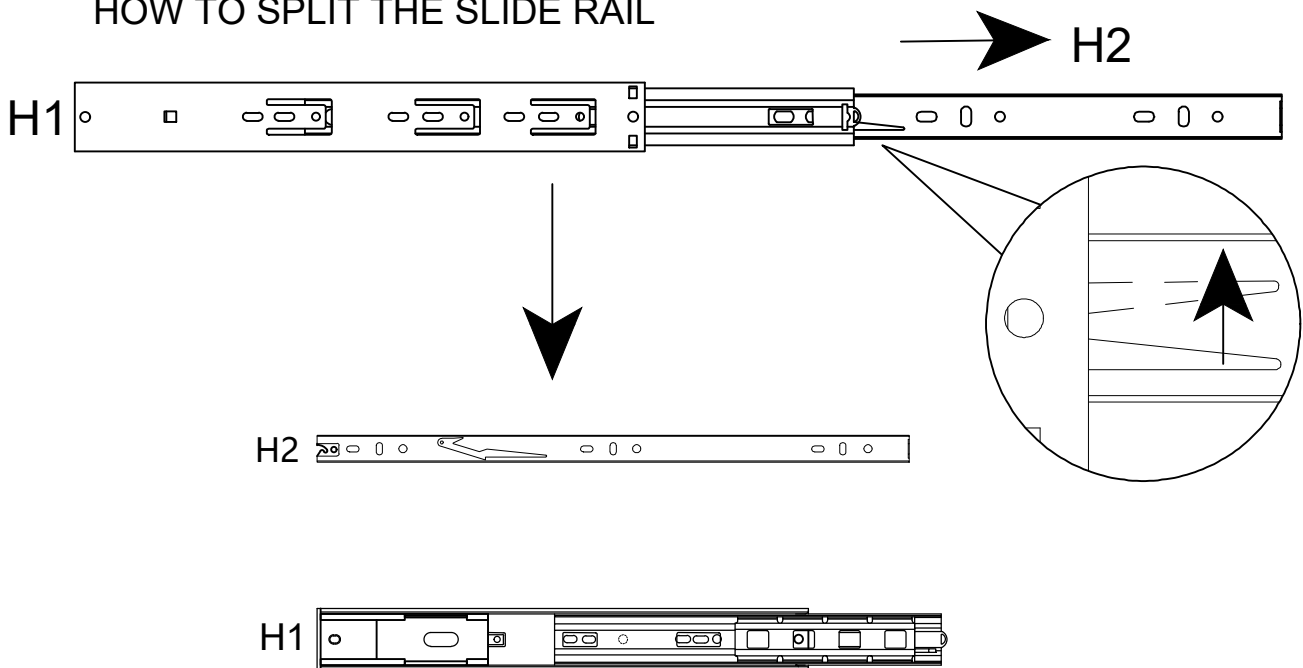
<p>1</p>  <p>x1PC</p>	<p>2</p>  <p>x1PC</p>	<p>3</p>  <p>x1PC</p>	<p>4</p>  <p>x1PC</p>
<p>5</p>  <p>x3PCS</p>	<p>6</p>  <p>x1PC</p>	<p>7</p>  <p>x2PCS</p>	<p>8</p>  <p>x2PCS</p>
<p>9</p>  <p>x2PCS</p>	<p>10</p>  <p>x5PCS</p>	<p>11</p>  <p>x5PCS</p>	<p>12</p>  <p>x5PCS</p>
<p>13</p>  <p>x5PCS</p>	<p>14</p>  <p>x5PCS</p>	<p>15</p>  <p>x5PCS</p>	<p>16</p>  <p>x2PCS</p>

TIPS

1. When installing the product, use a soft surface (such as carpet or cardboard) to avoid scratching or damaging the surface of the product.
2. Please try to use a manual screwdriver instead of electric screw driver. A manual screwdriver can be used to better control the tightness of the screws.
3. Do not use any glue.
4. The product is unstable before it is assembled. Please pay attention to the product installation sequence, and align all screws and screw holes before tightening.
5. The structure of this product can not meet the requirements of children climbing.




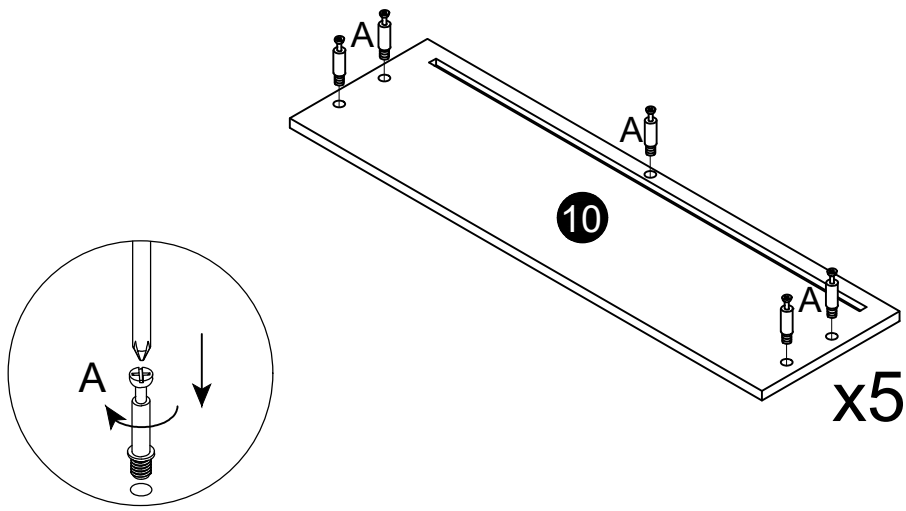
HOW TO SPLIT THE SLIDE RAIL



01

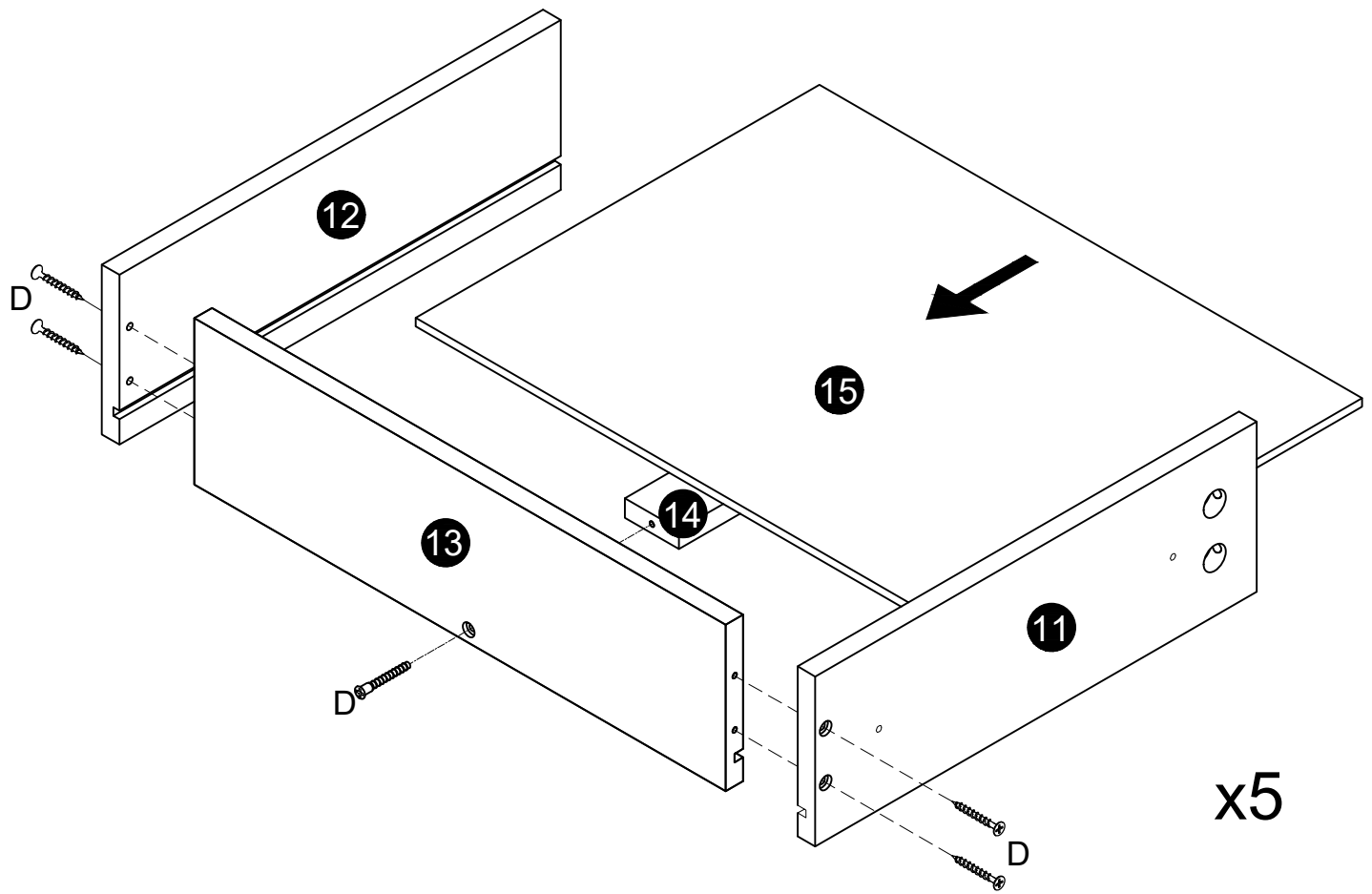
INSTALLATION STEPS

Ax25 



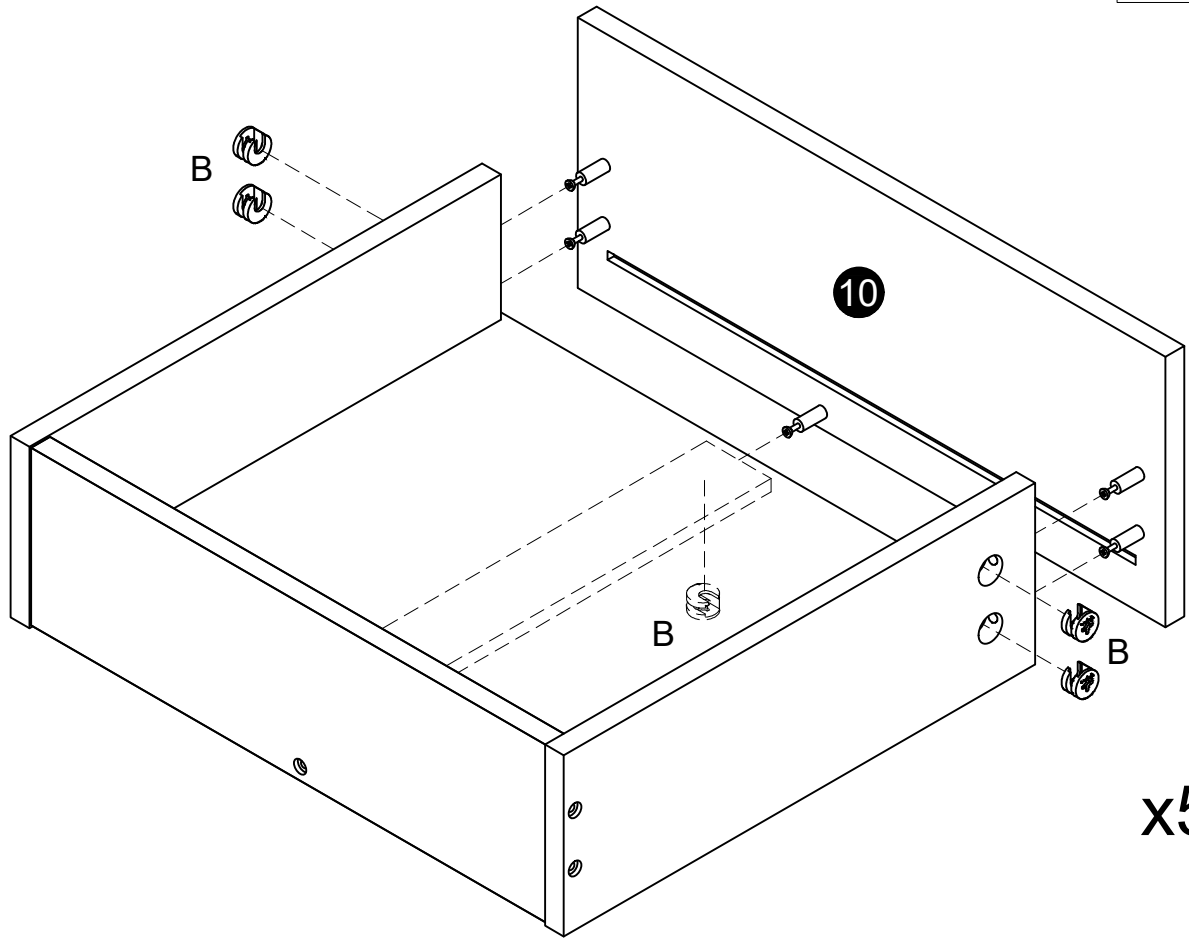
02

Dx25 



03

Bx25



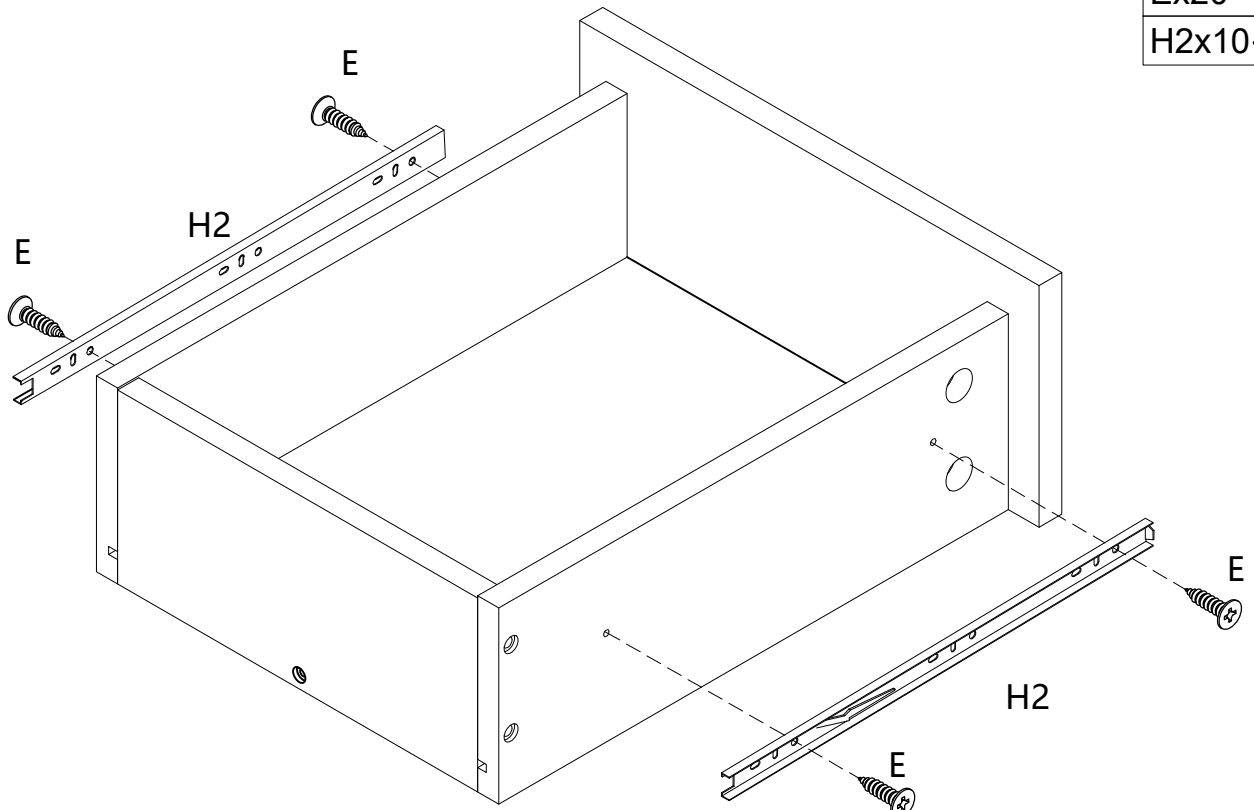
x5

04

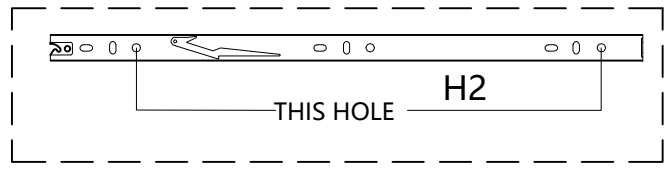
Ex20




H2x10

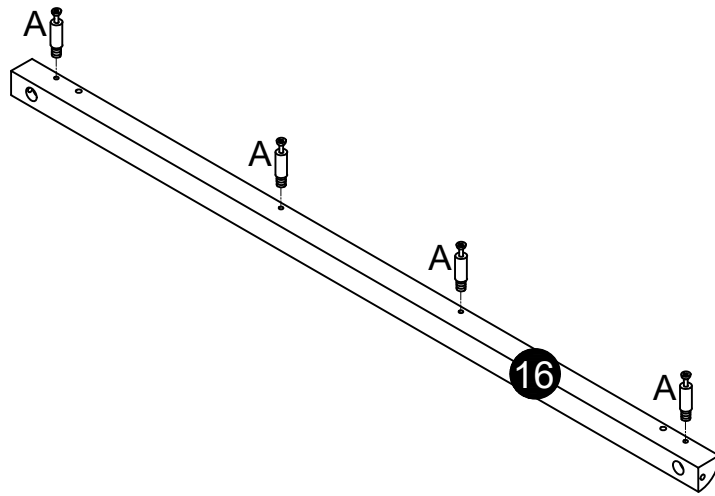


x5





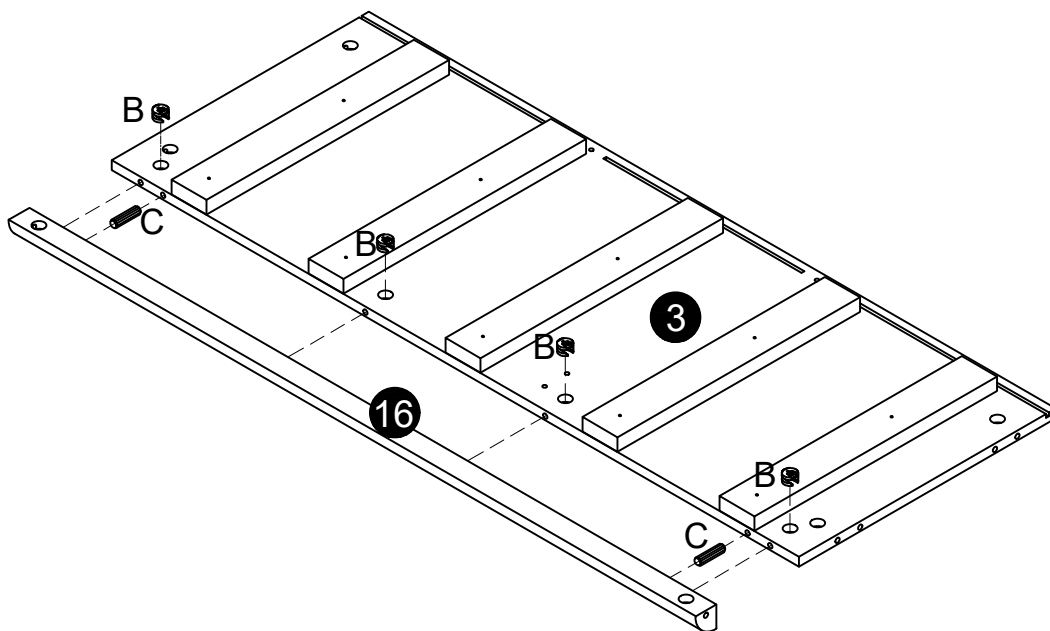
05

Ax4 





06

Bx4 
Cx2 

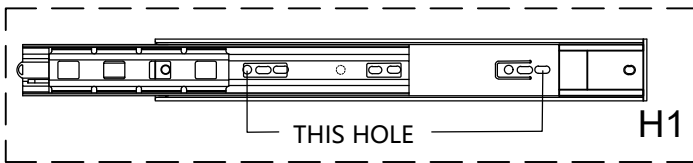
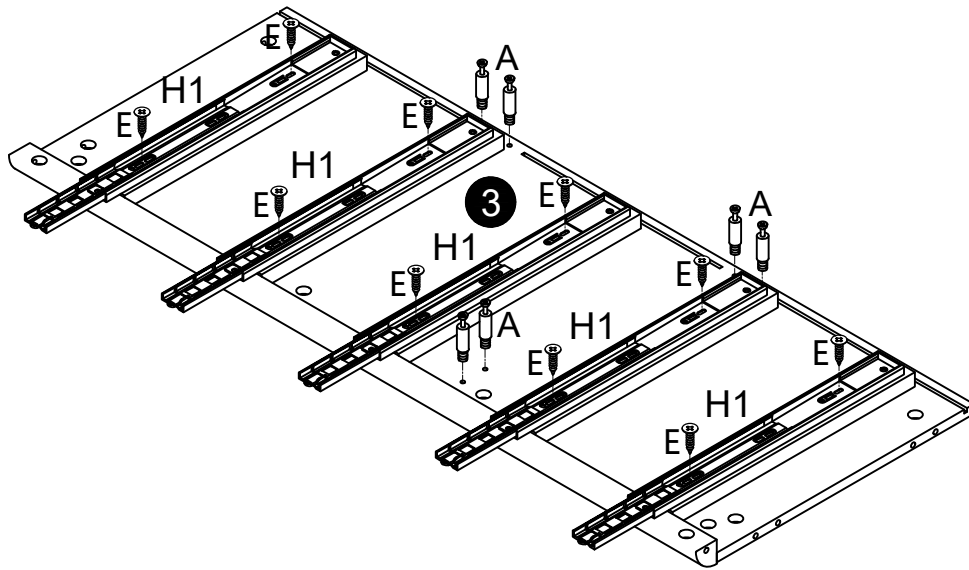


07

Ax6 

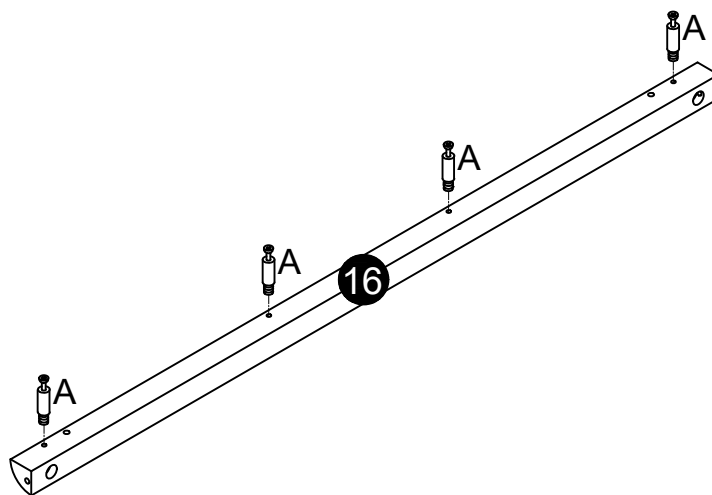
Ex10 

H1x5 





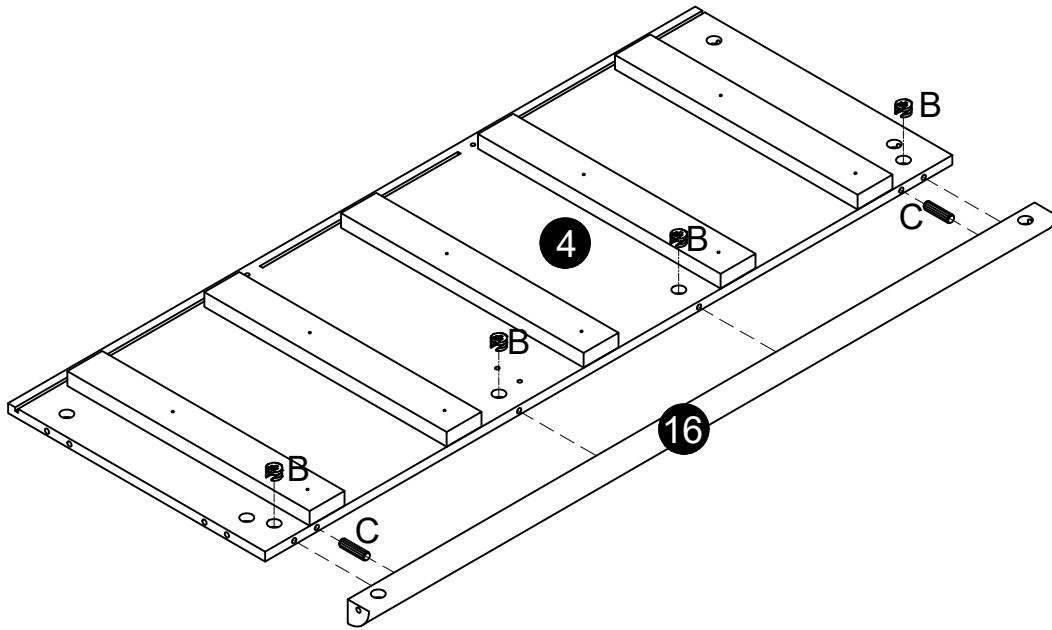
08

Ax4 






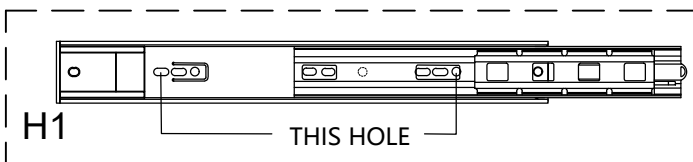
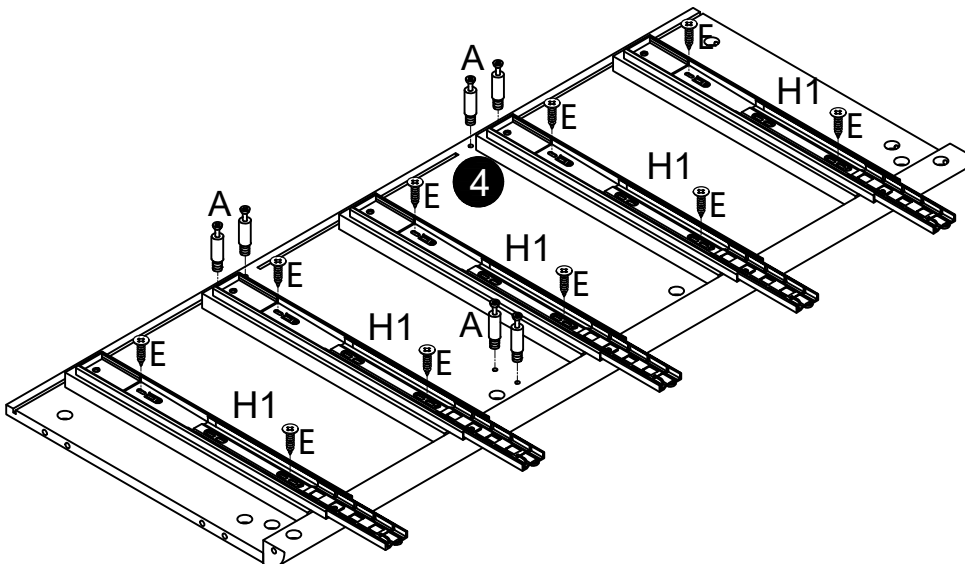
09

Bx4 
 Cx2 

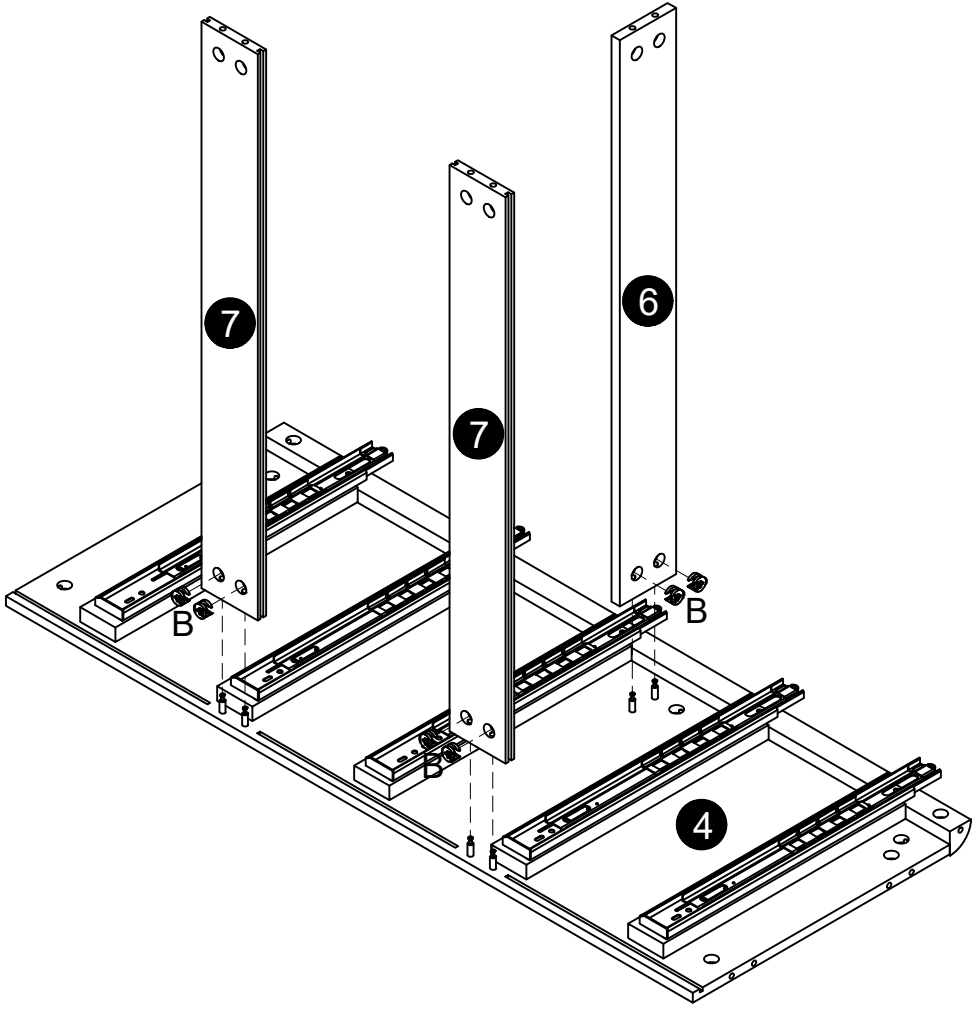


10

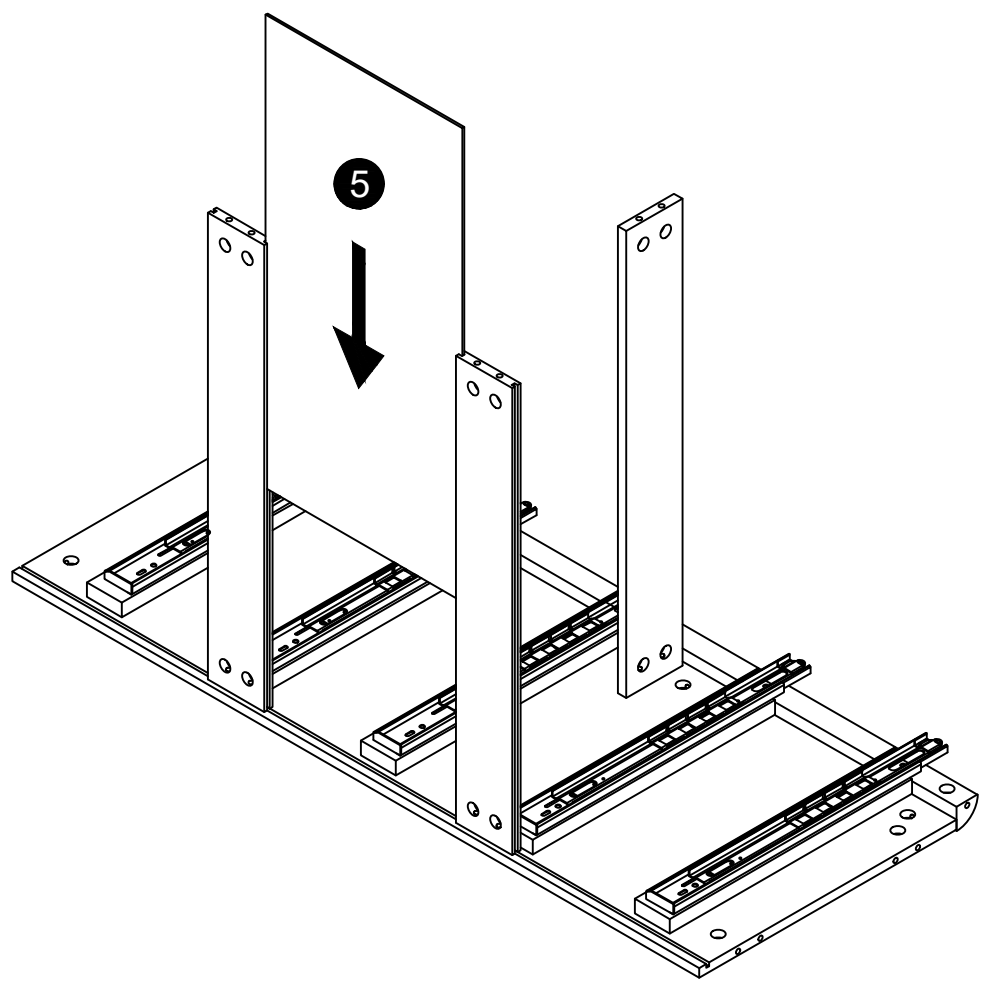
Ax6 
 Ex10 
 H1x5 

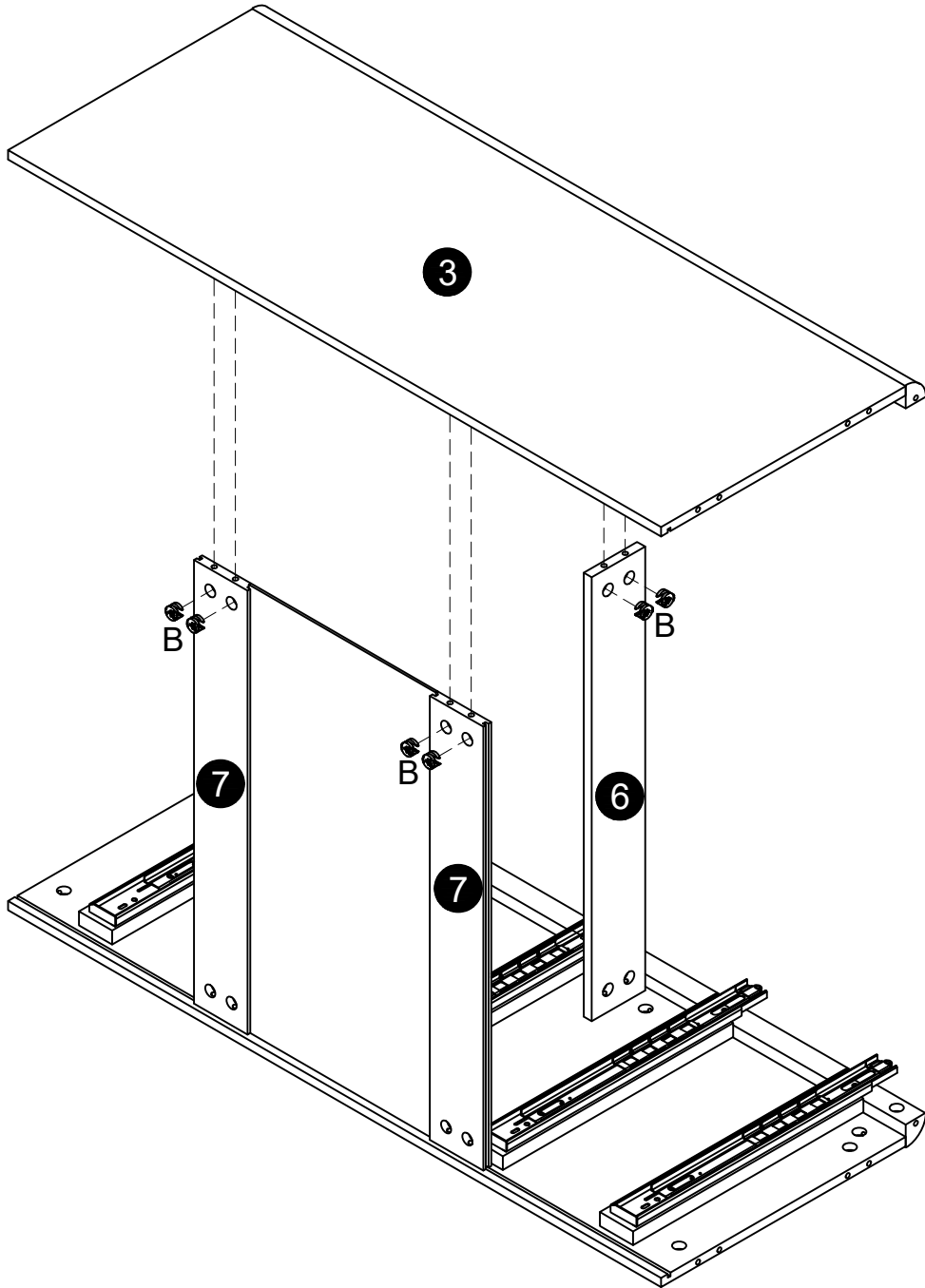


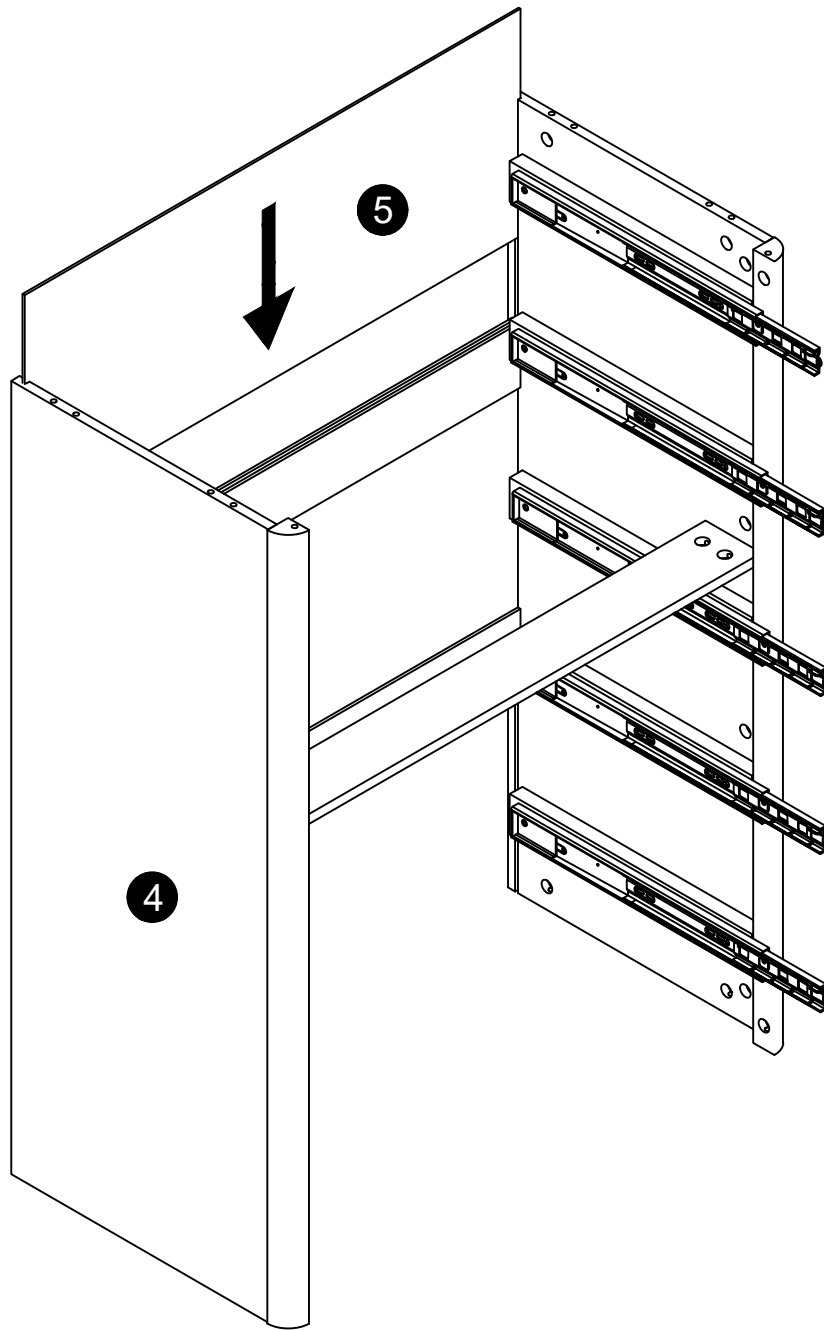
11



12

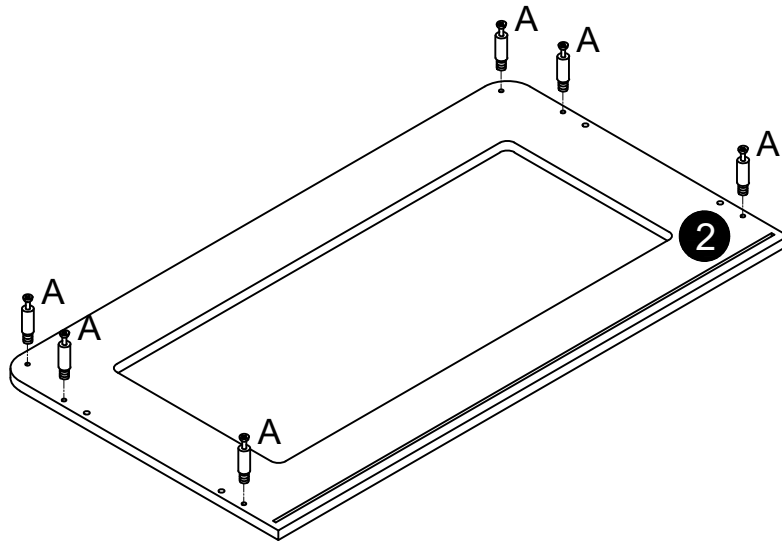








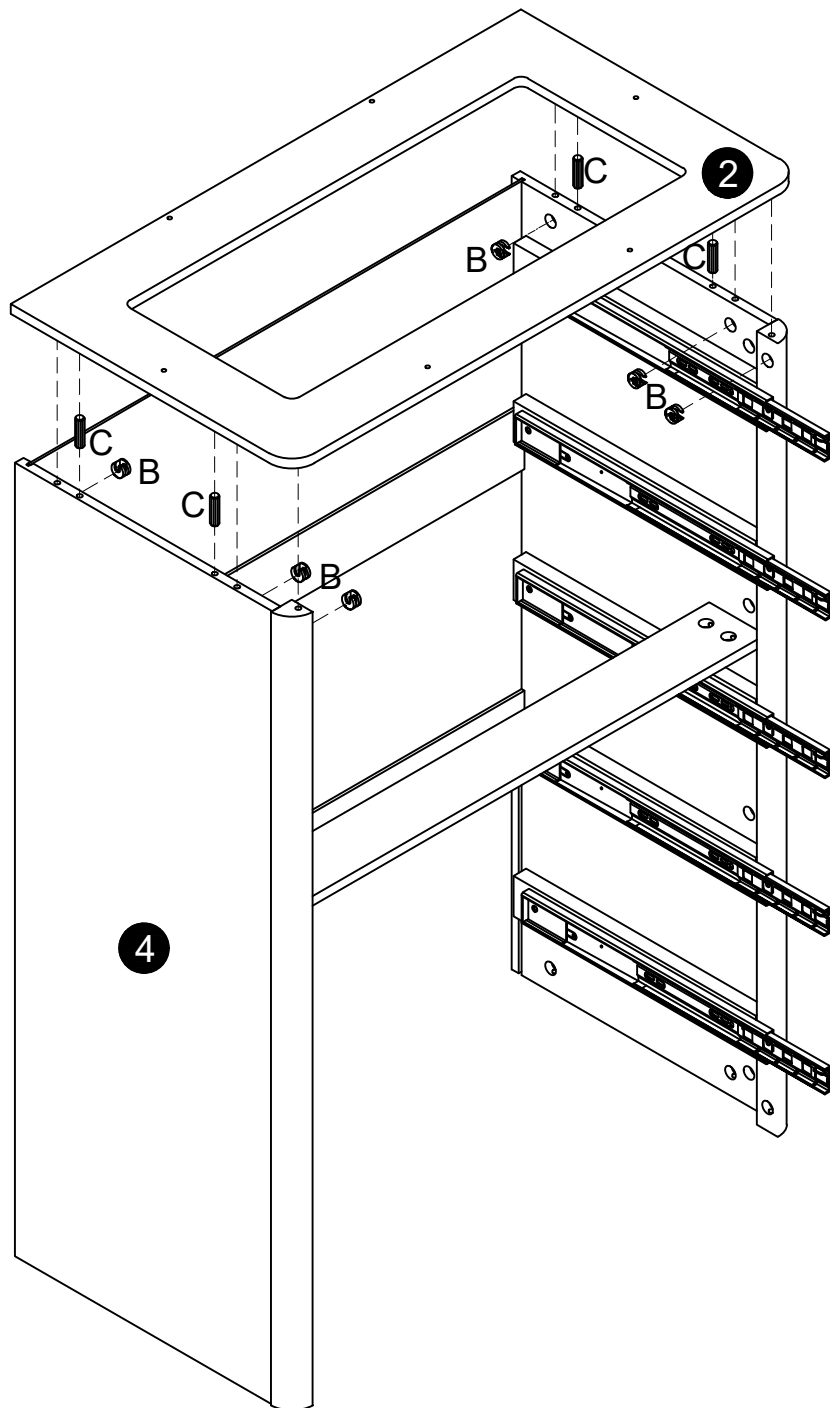
15

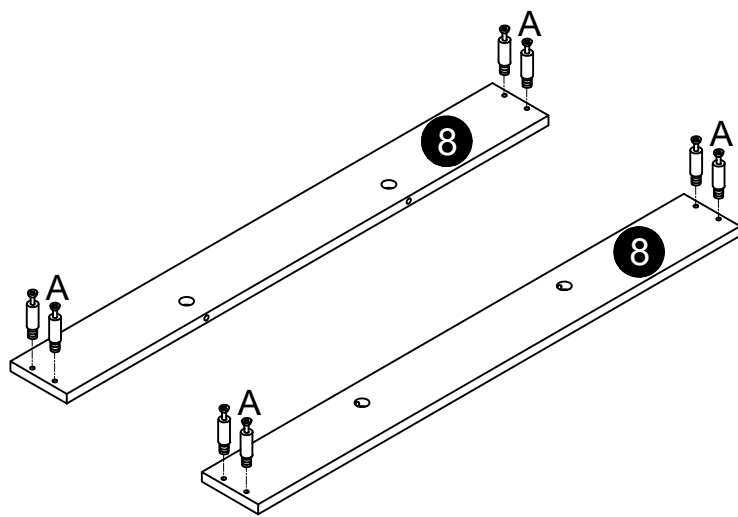
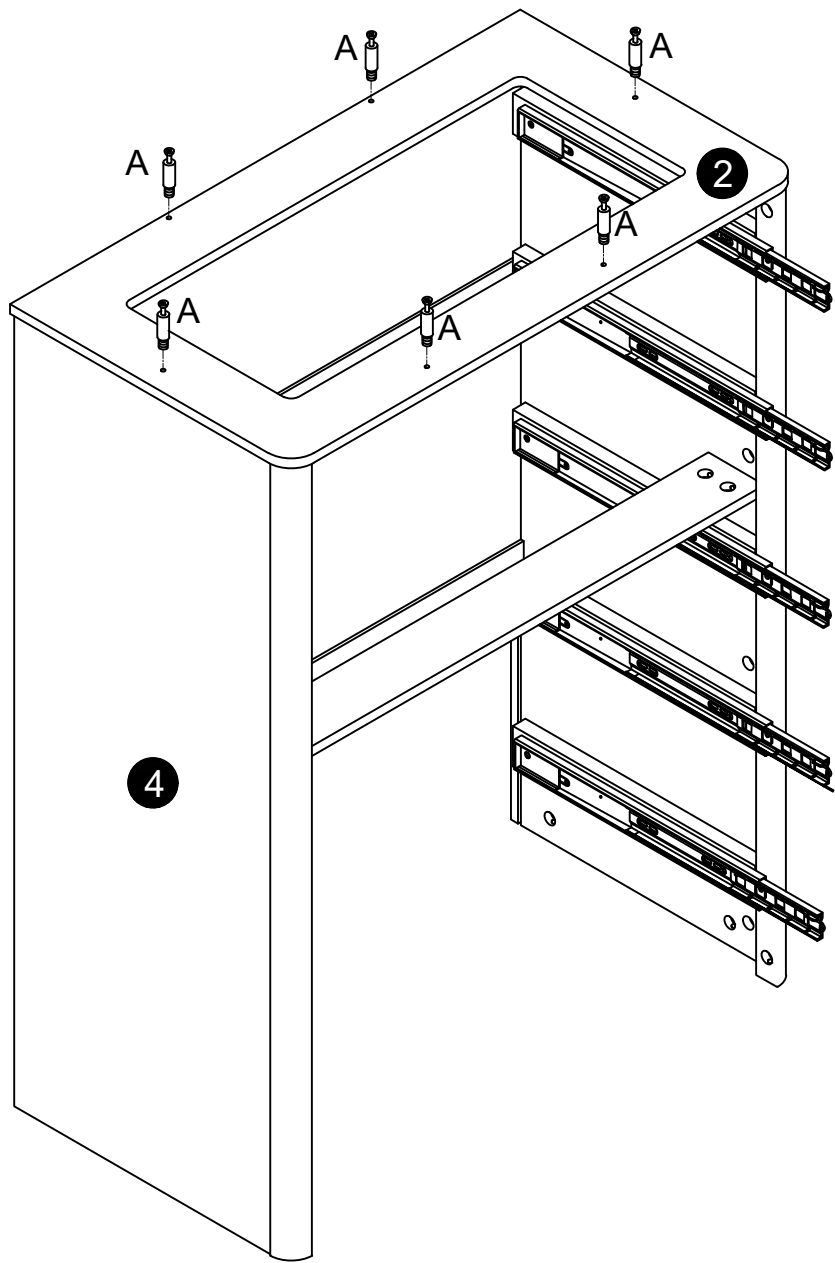
Ax6 



16

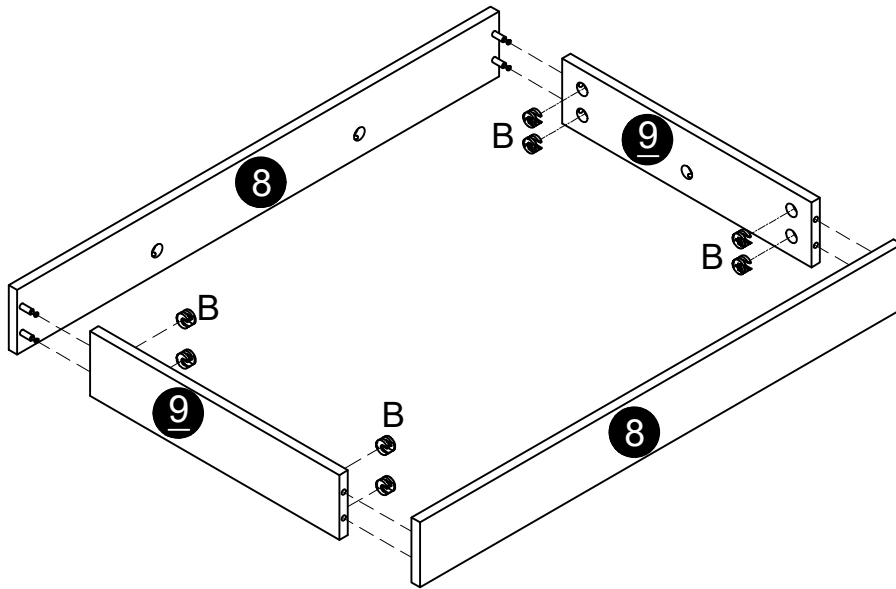
Bx6 
Cx4 





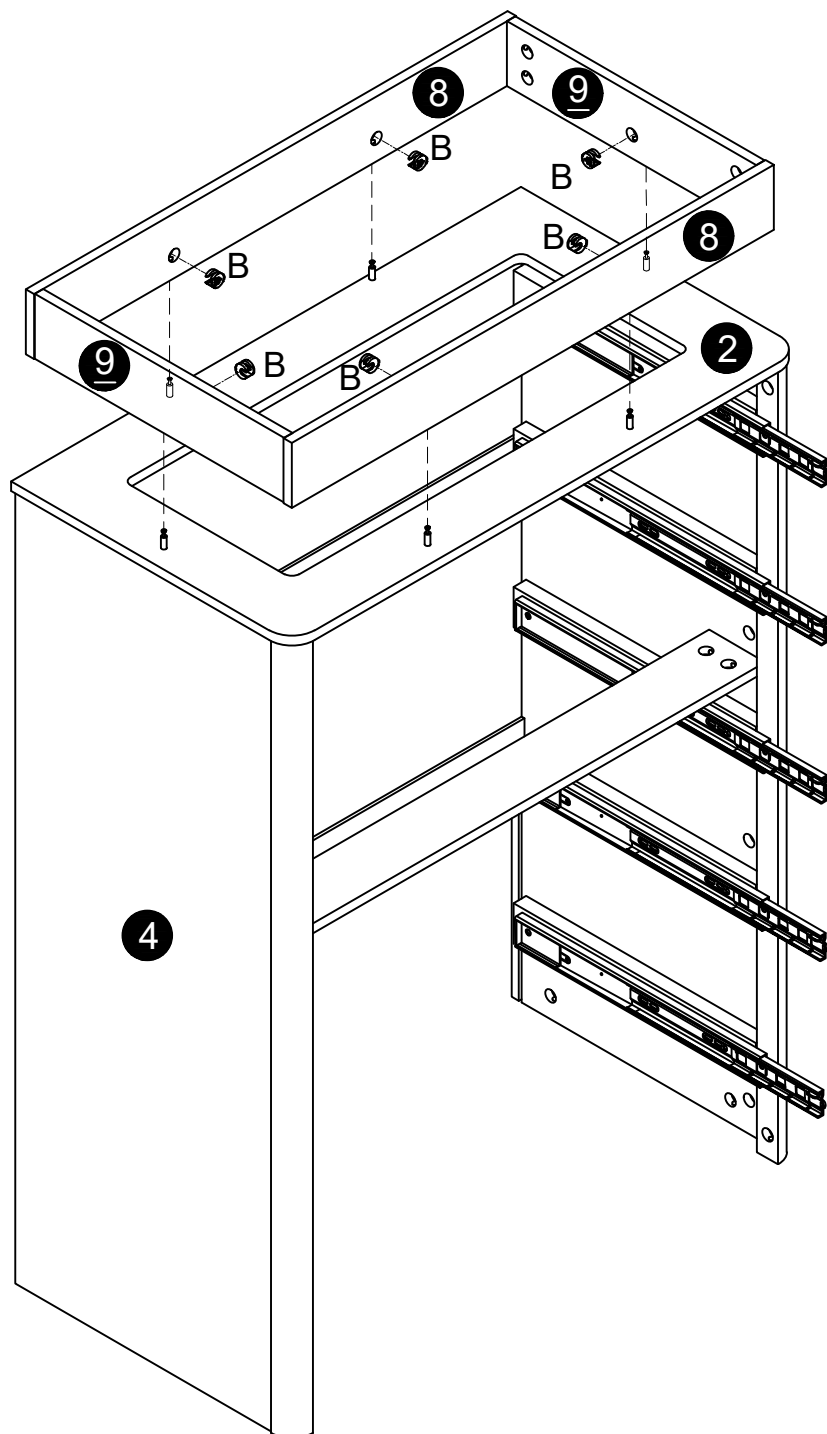
19

Bx8



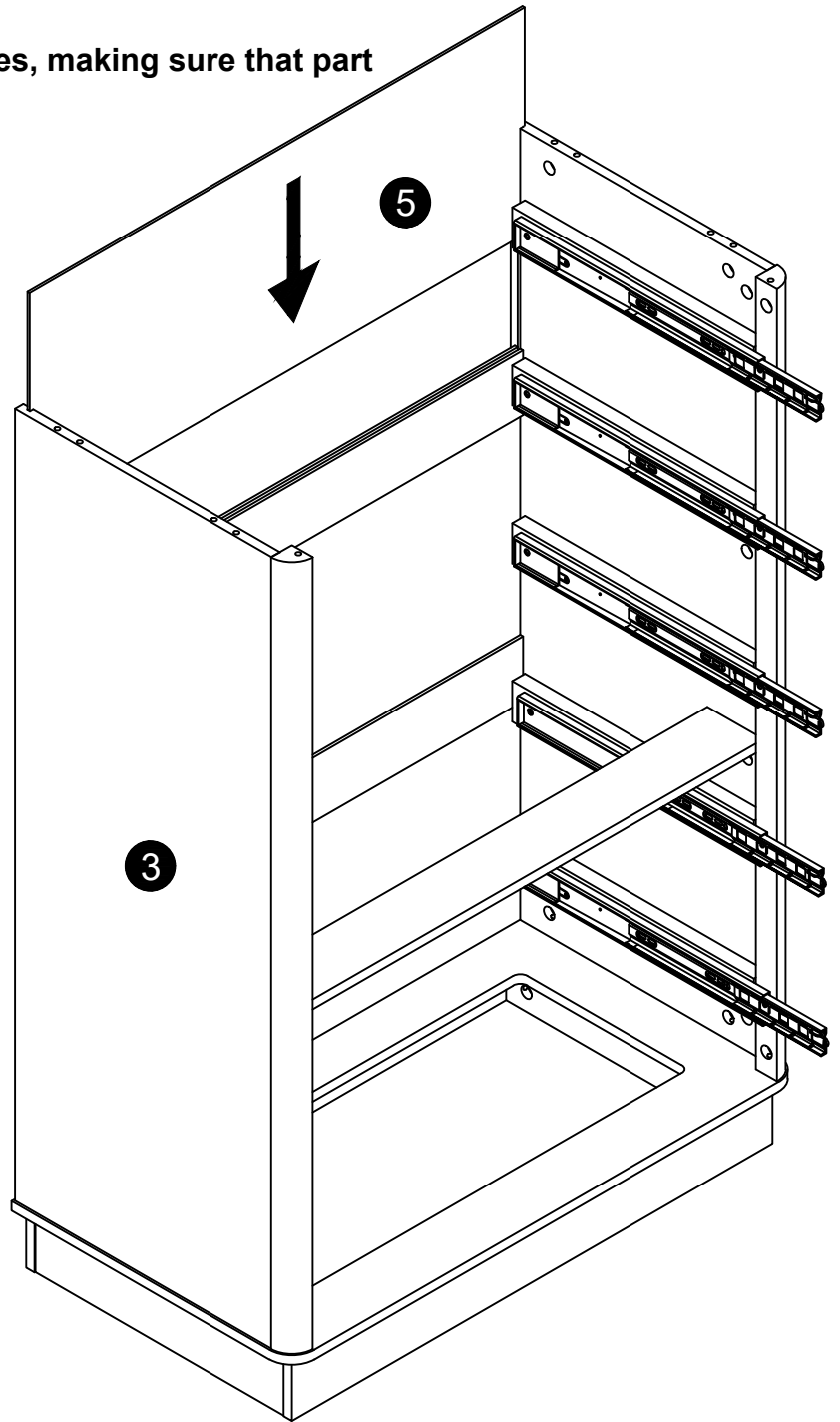
20

Bx6

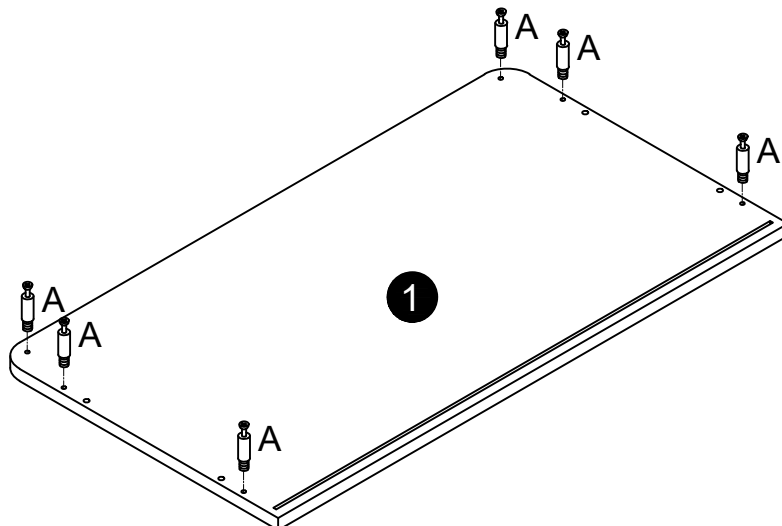



21

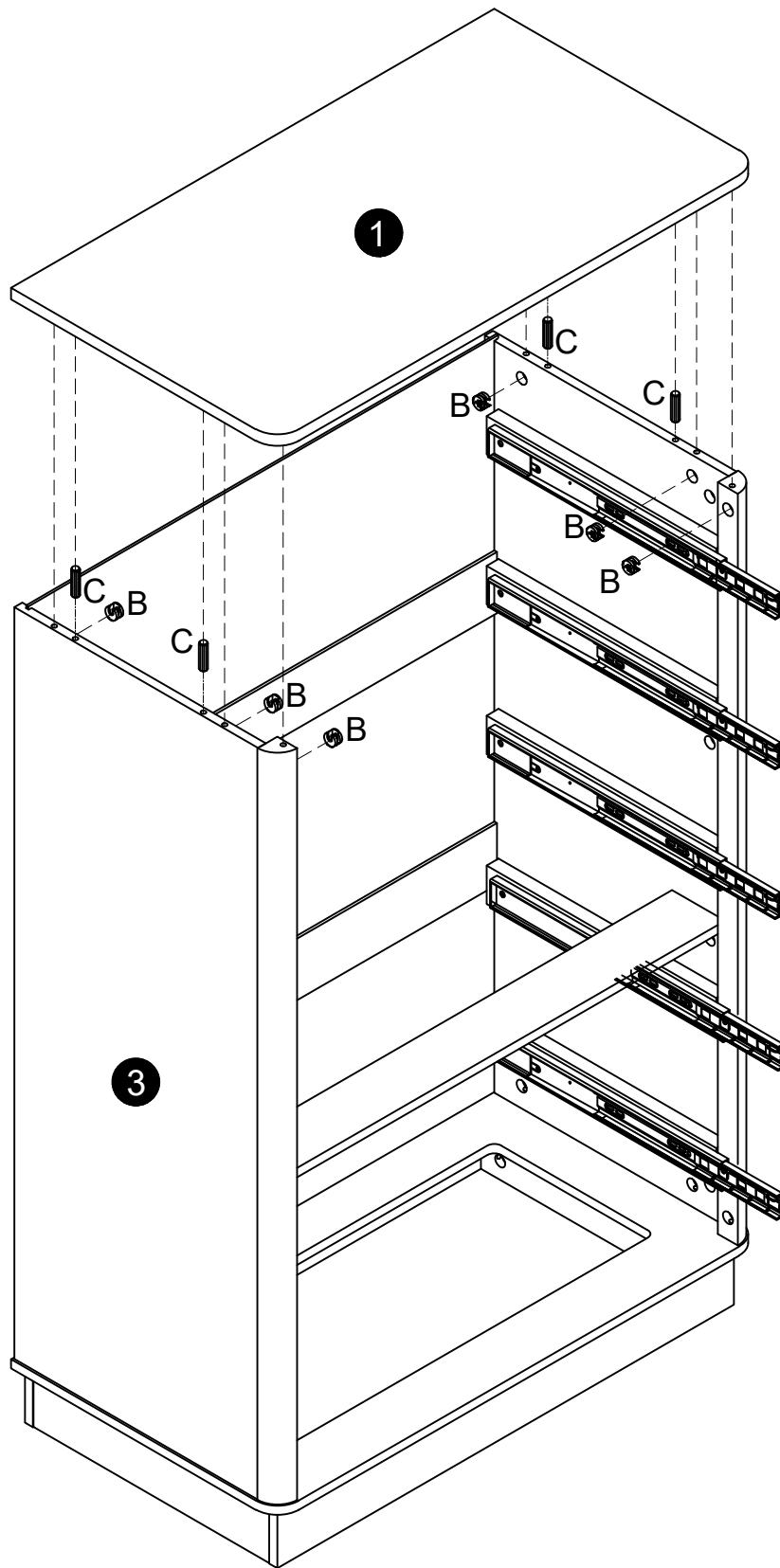
Flip the entire product 180 degrees, making sure that part #3 is on the left side.




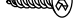


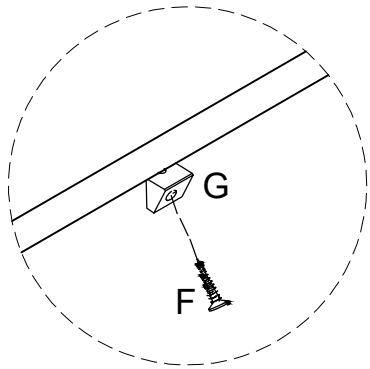
22



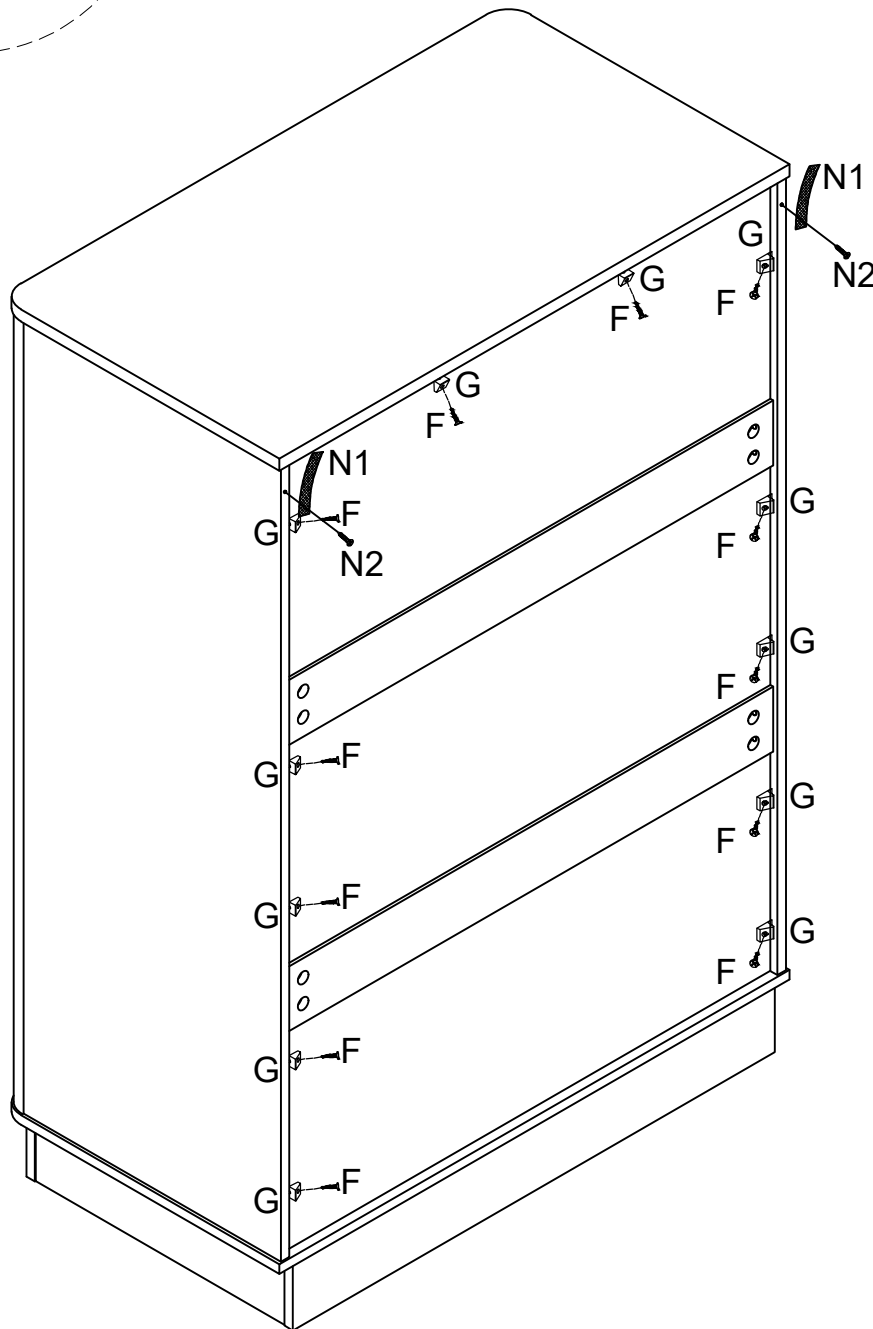
Ax6 

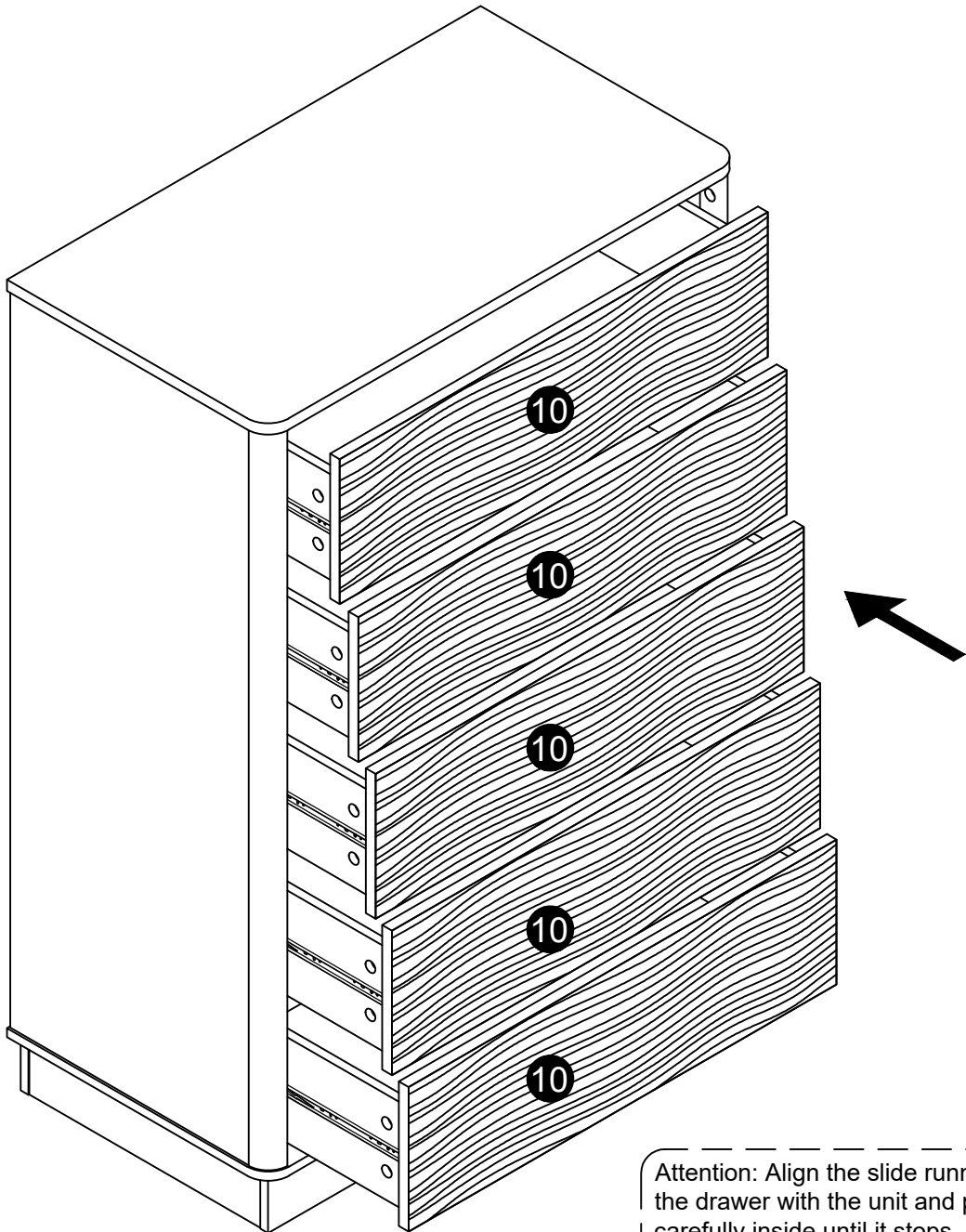


Fx12	
Gx12	
N1x2	
N2x2	



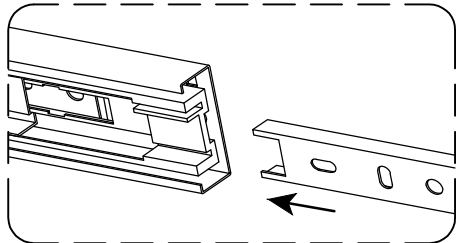
Install backboard nails can effectively enhance the stability of hte product and extend the life span of the product.





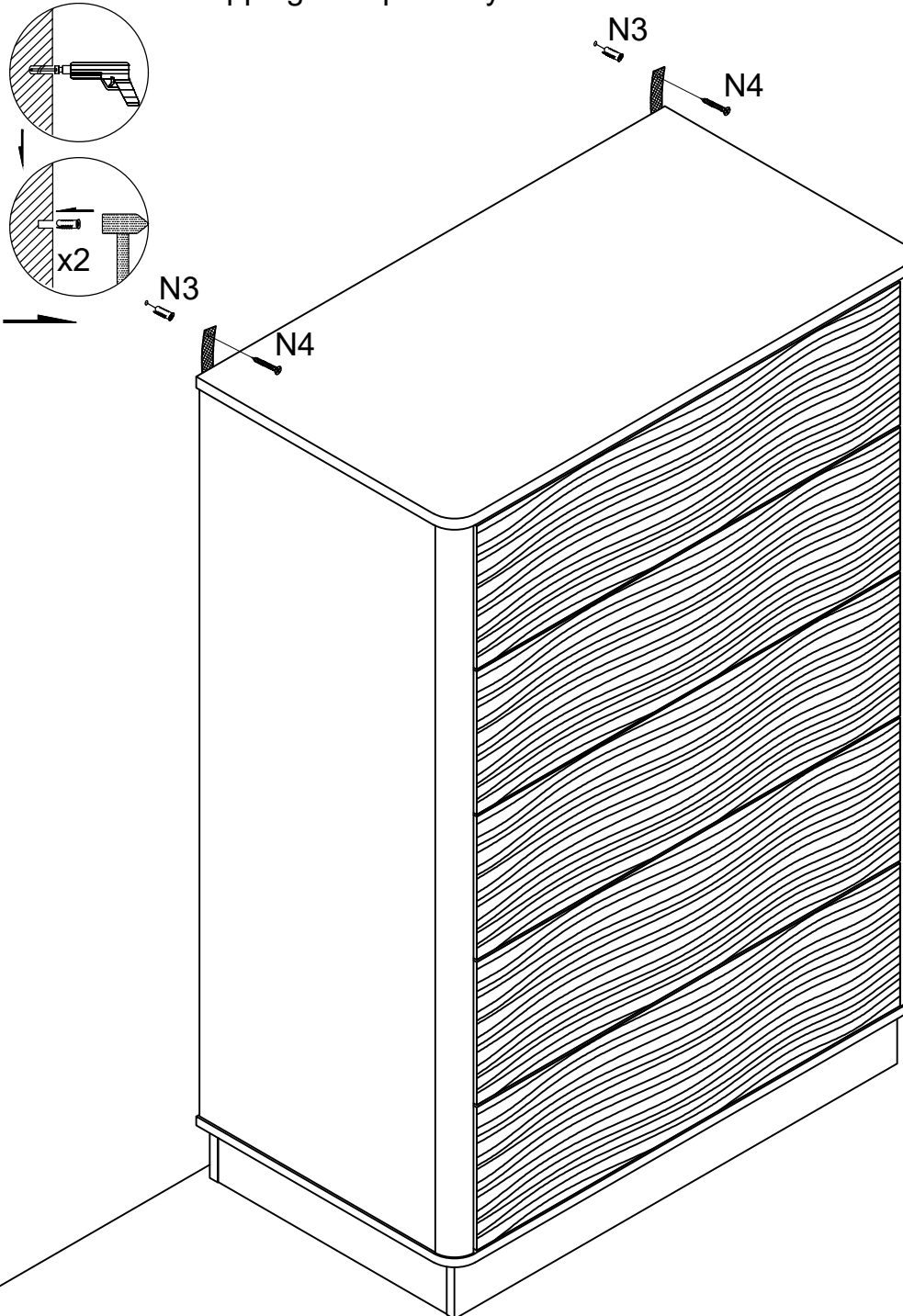
Attention: Align the slide runners on the drawer with the unit and push it carefully inside until it stops.

★ If the drawer does not go in smoothly please take it out and repeat the step.



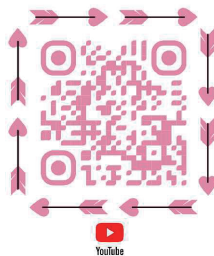
MANDATORY!

For safety reasons, we recommend you follow these instructions to install the anti-tipping hardware. When installed properly, this hardware may prevent the unit from tipping unexpectedly.



-WARNING- Serious injury can occur if furniture tips over. Place heavy items on lower shelves and as far back as possible.

Follow our media account to get Discounts and More New Arrivals!



Model : JFLDG2512
Shandong Janfly Home Collection Co.,Ltd.
ADD: No. 66, Laotawan Village, Louzhuang Town,
Cao County, Heze City, Shandong Province, China

Customer Service Emails
US@JANFLY.COM
EU@JANFLY.COM

Made in China

Model : JFLDG2512
Shandong Janfly Home Collection Co.,Ltd.
ADD: No. 66, Laotawan Village, Louzhuang Town,
Cao County, Heze City, Shandong Province, China

Customer Service Emails
US@JANFLY.COM
EU@JANFLY.COM

