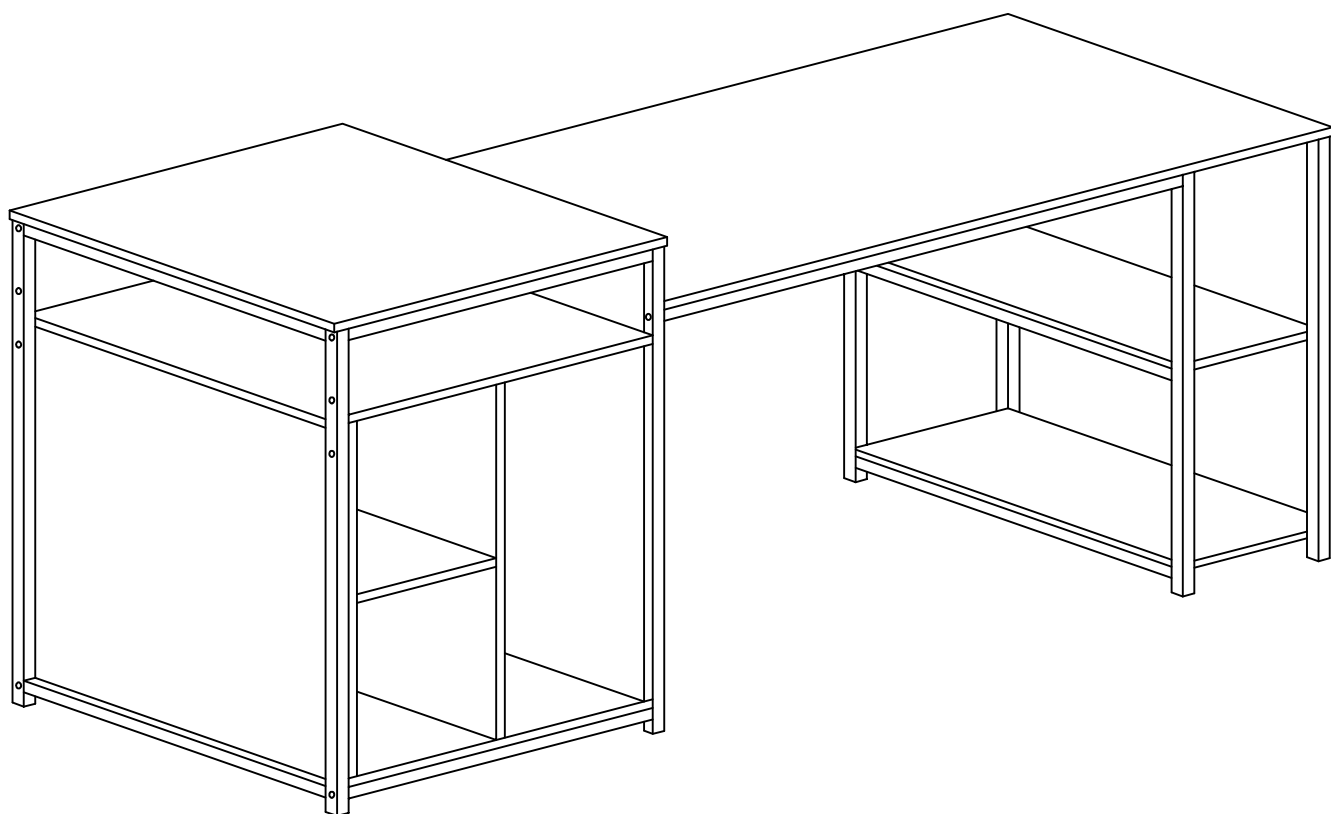
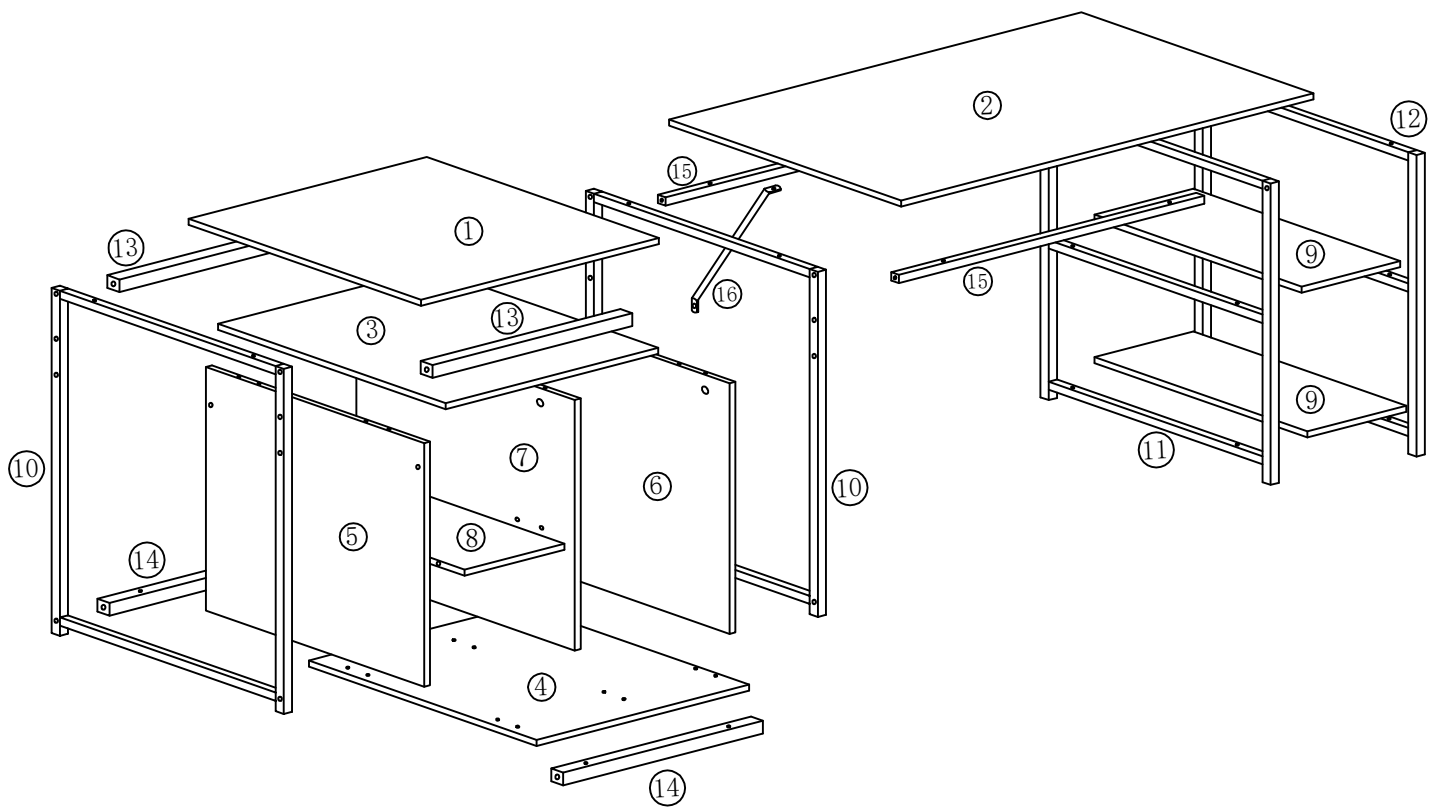
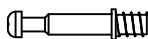








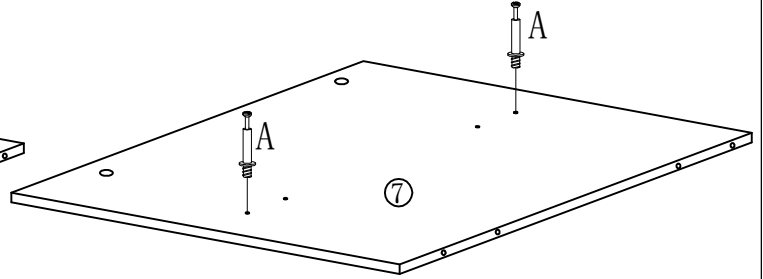
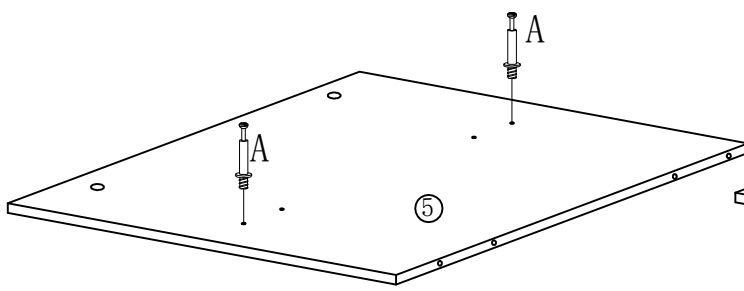
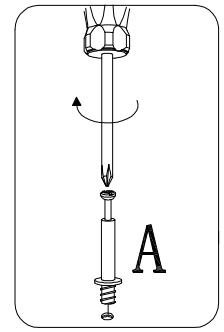
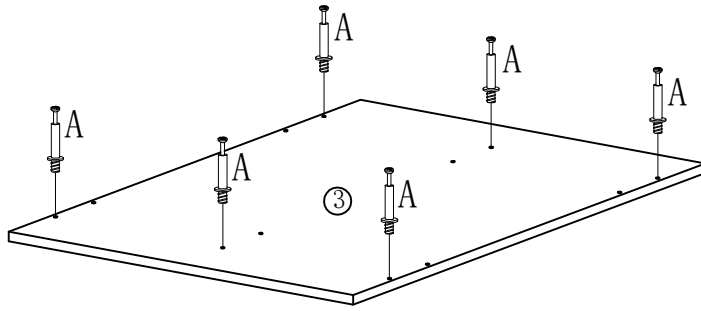
# WF196080AAE

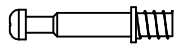




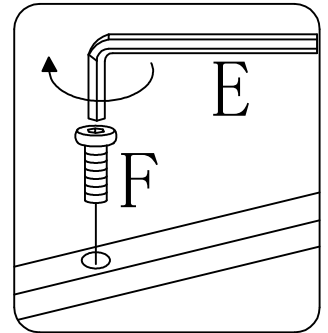
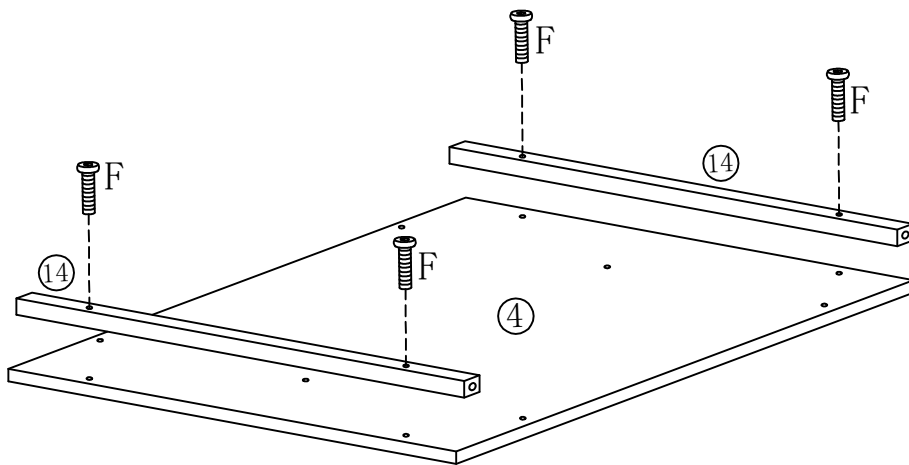
A	X10	B	X10	C	X16	D	X6	E	X1	F	X27	G	X12
													
φ 6X35		φ 15X12		φ 8X30		φ 7X47		M4X55		M6*30mm		M6*40mm	

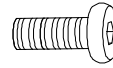
# STEP: 1



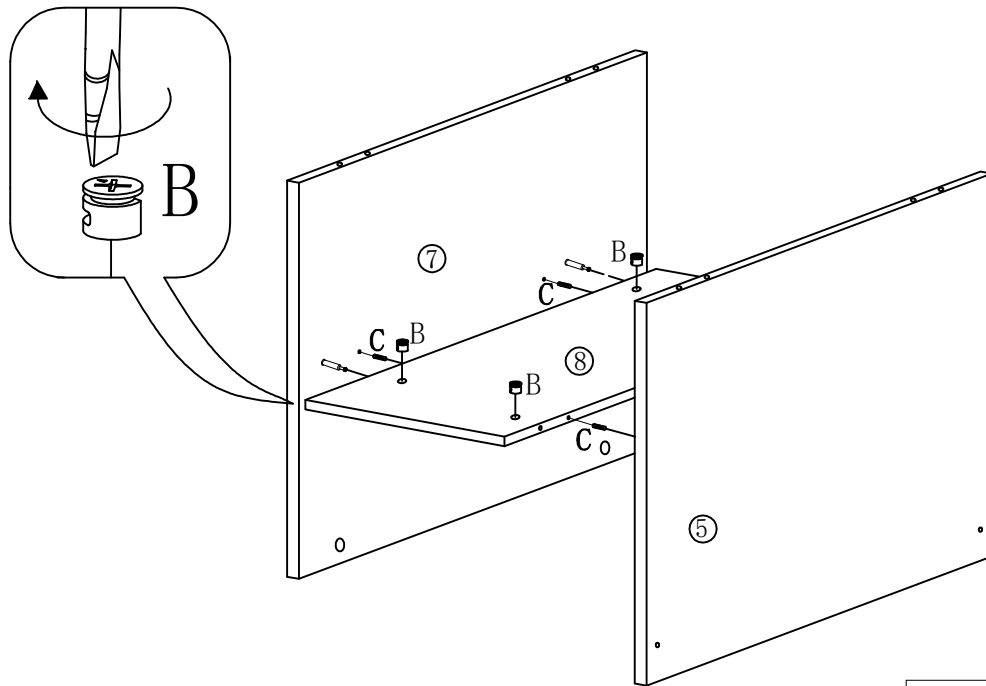
A	X10
	
Φ 6X35	

# STEP: 2



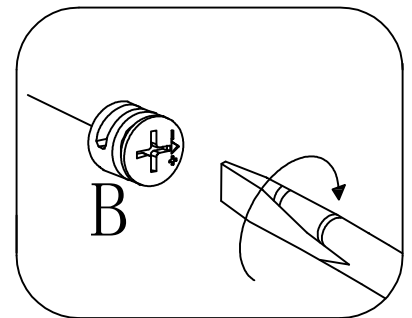
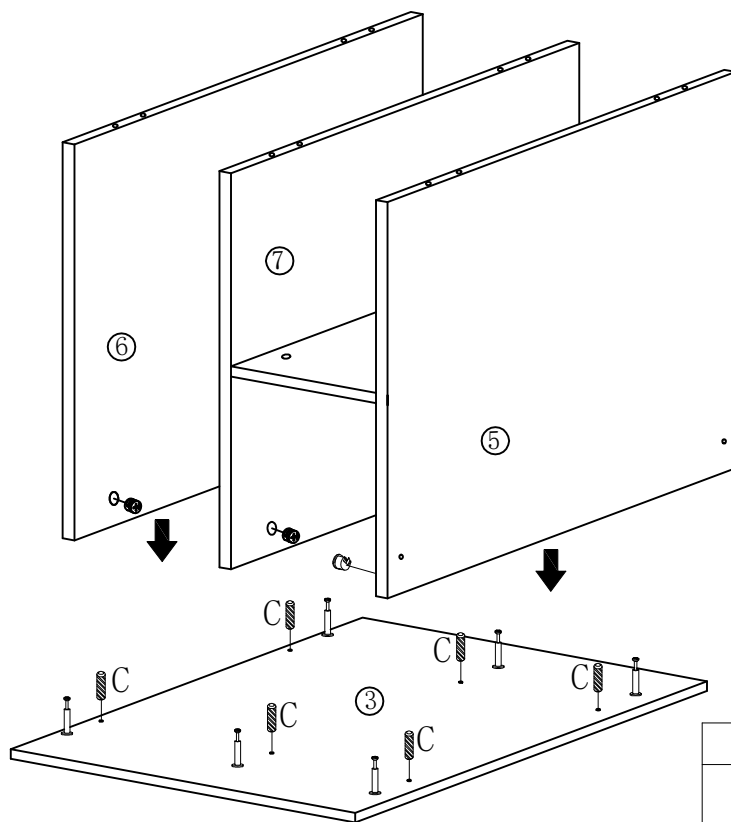
F	X4
	
M6*30mm	

# STEP: 3



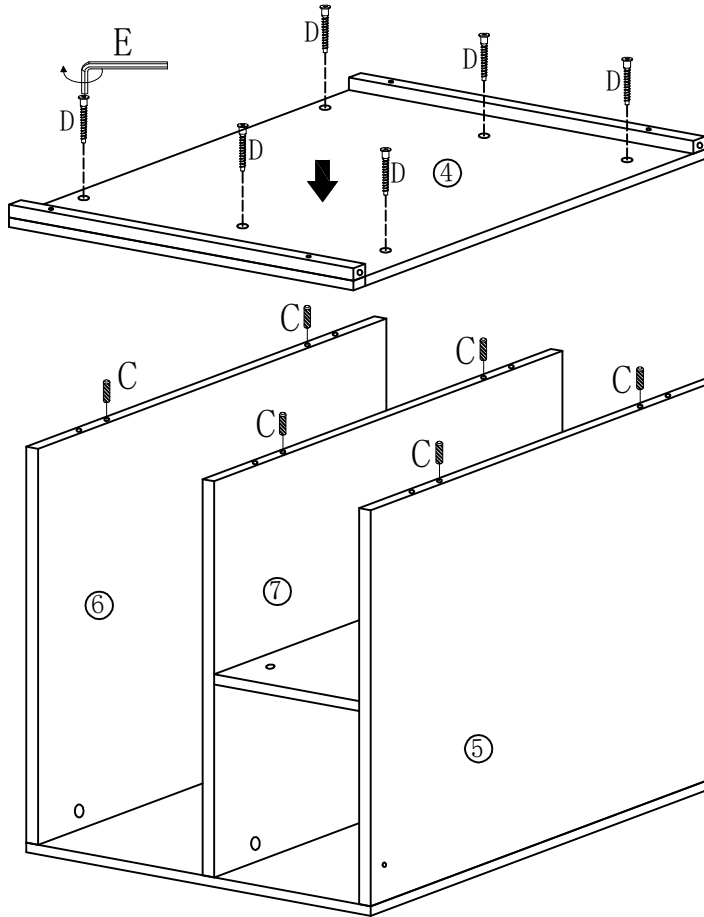
B	X4	C	X4
φ 15X12		φ 8X30	




# STEP: 4



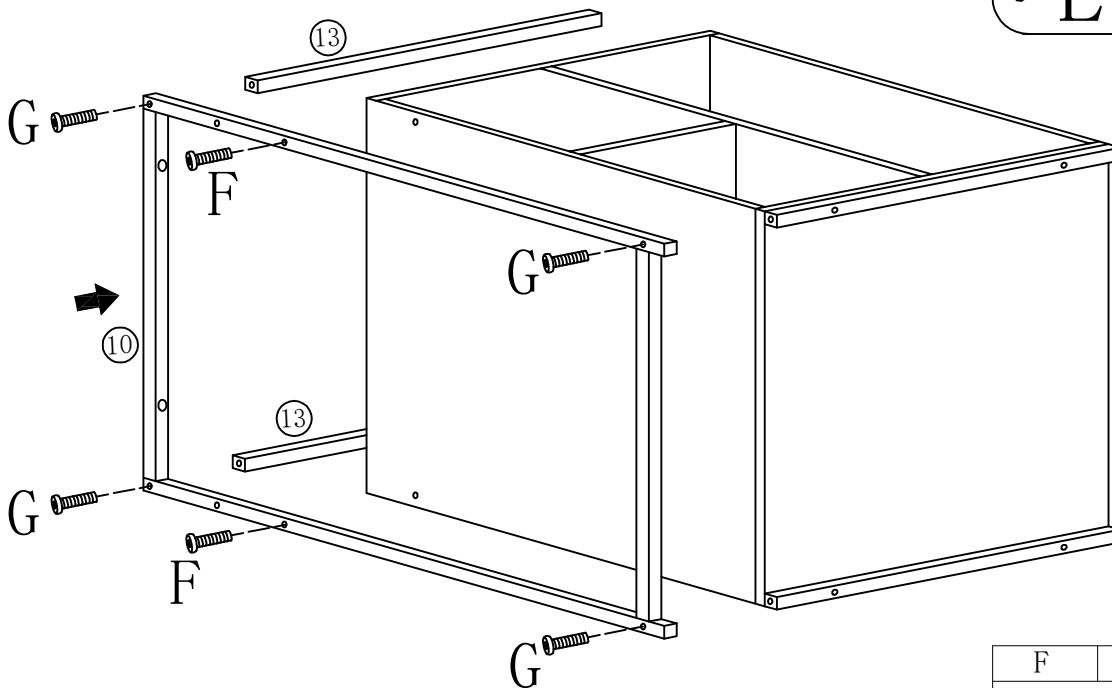
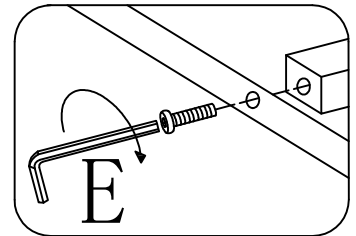
B	X6	C	X6
φ 15X12		φ 8X30	

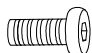
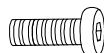
# STEP: 5



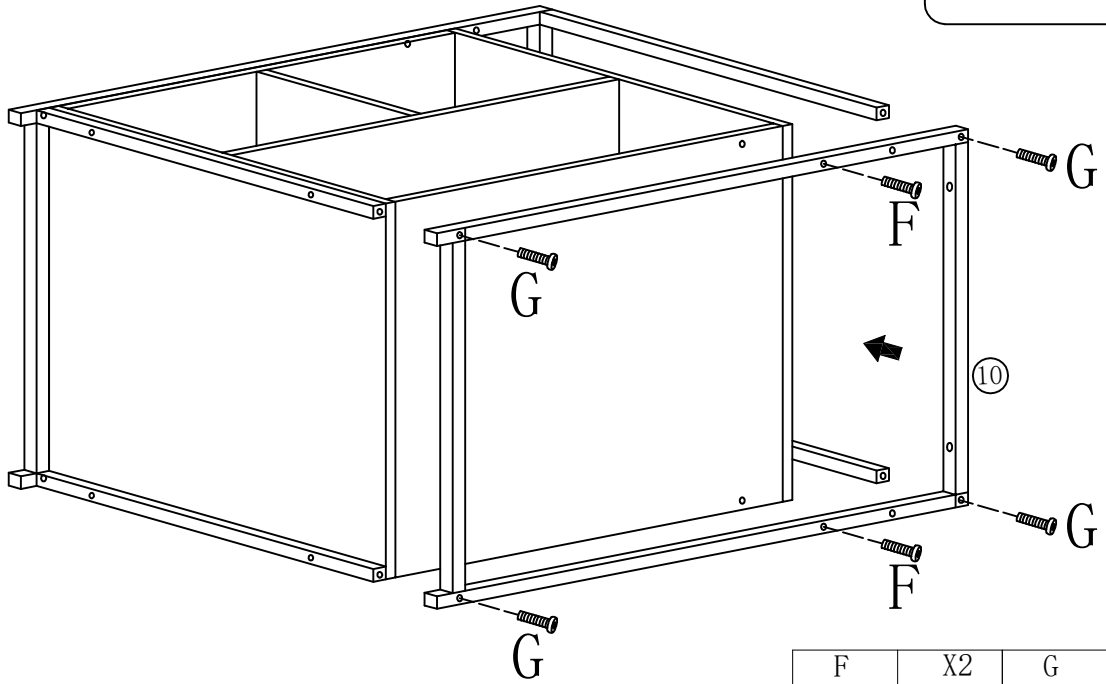
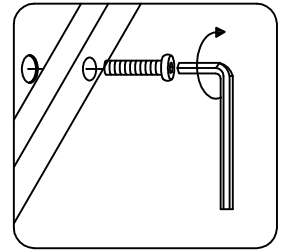
C	X6	D	X6	E	X1
					
φ 8X30		φ 7X47		M4X55	

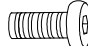

# STEP: 6



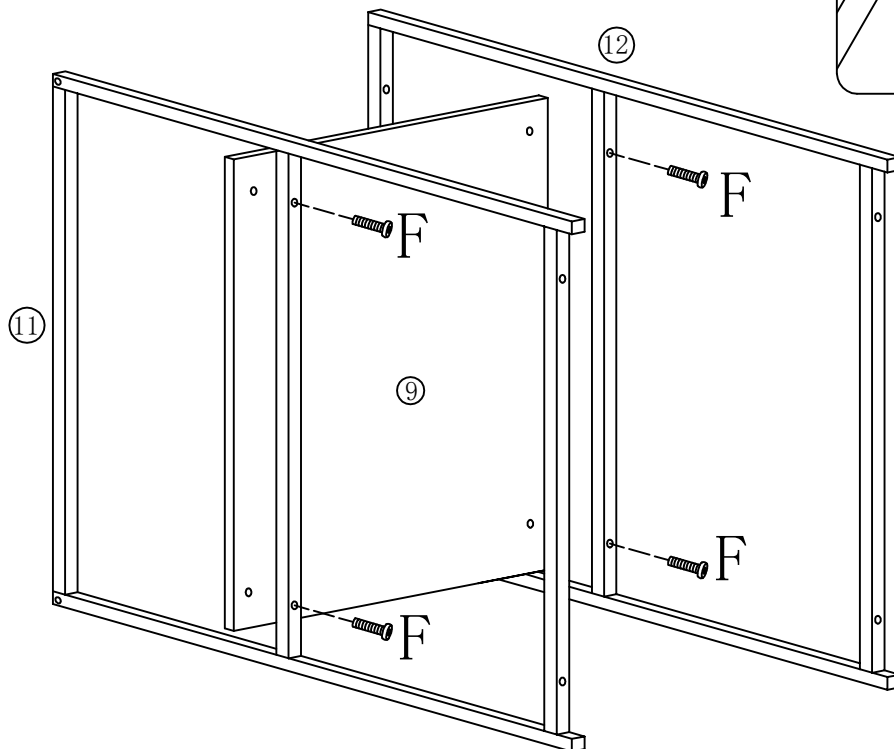
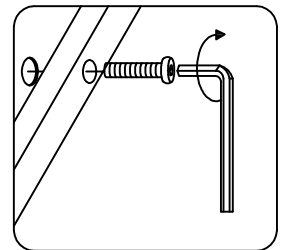
F	X2	G	X4
			
M6*30mm		M6*40mm	

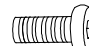
# STEP: 7



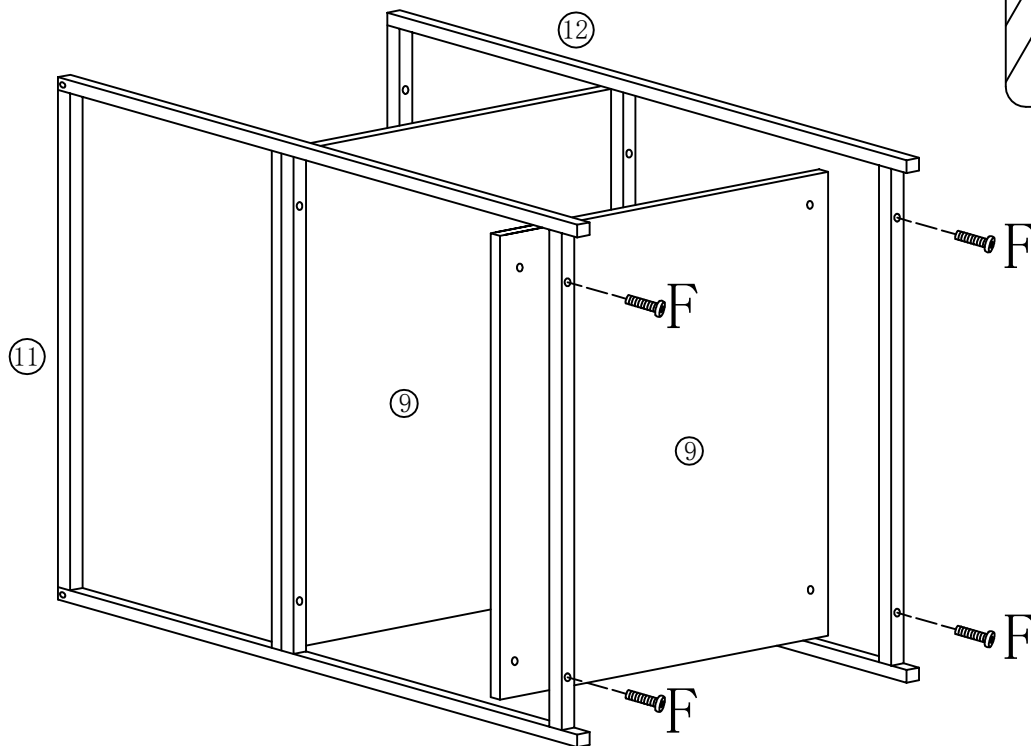
F	X2	G	X4
			
M6*30mm		M6*40mm	

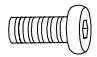
# STEP: 8



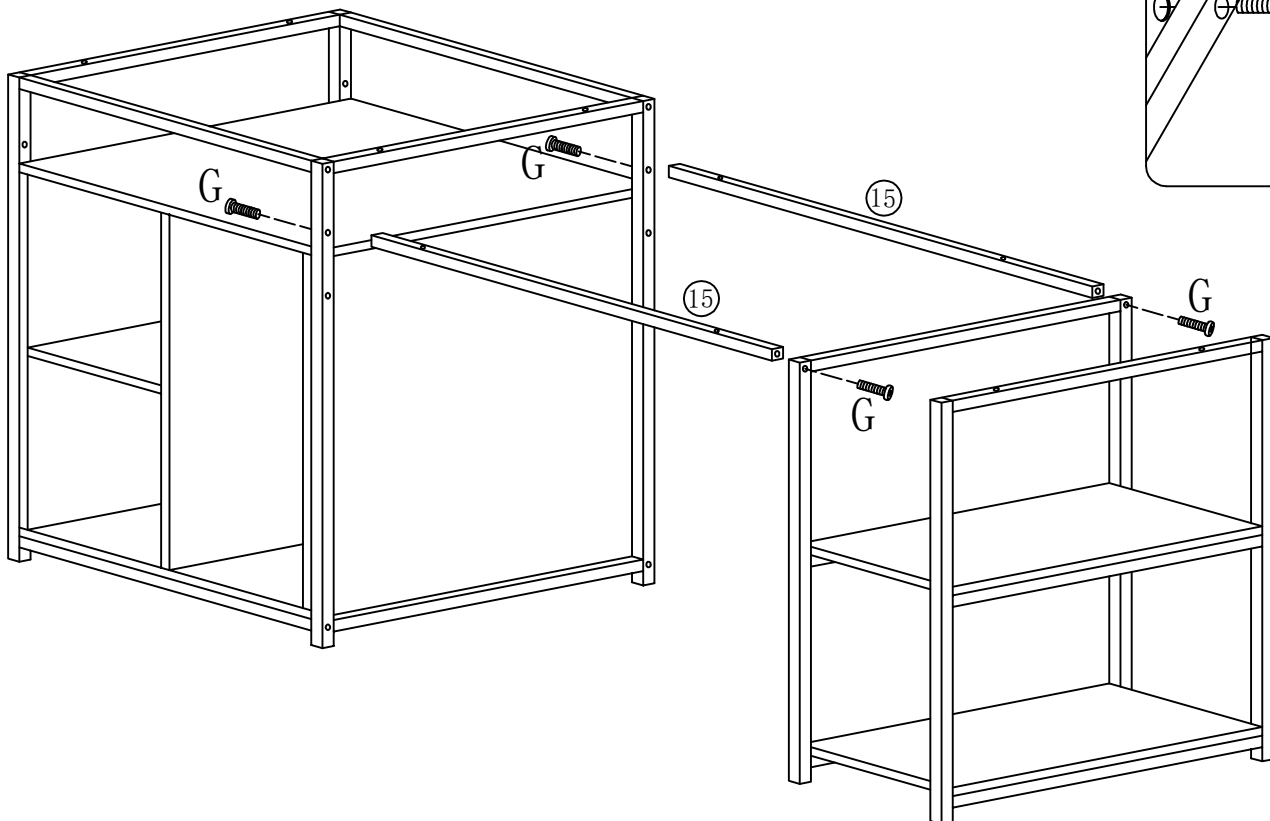
F	X4
	
M6*30mm	

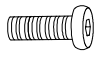
# STEP: 9



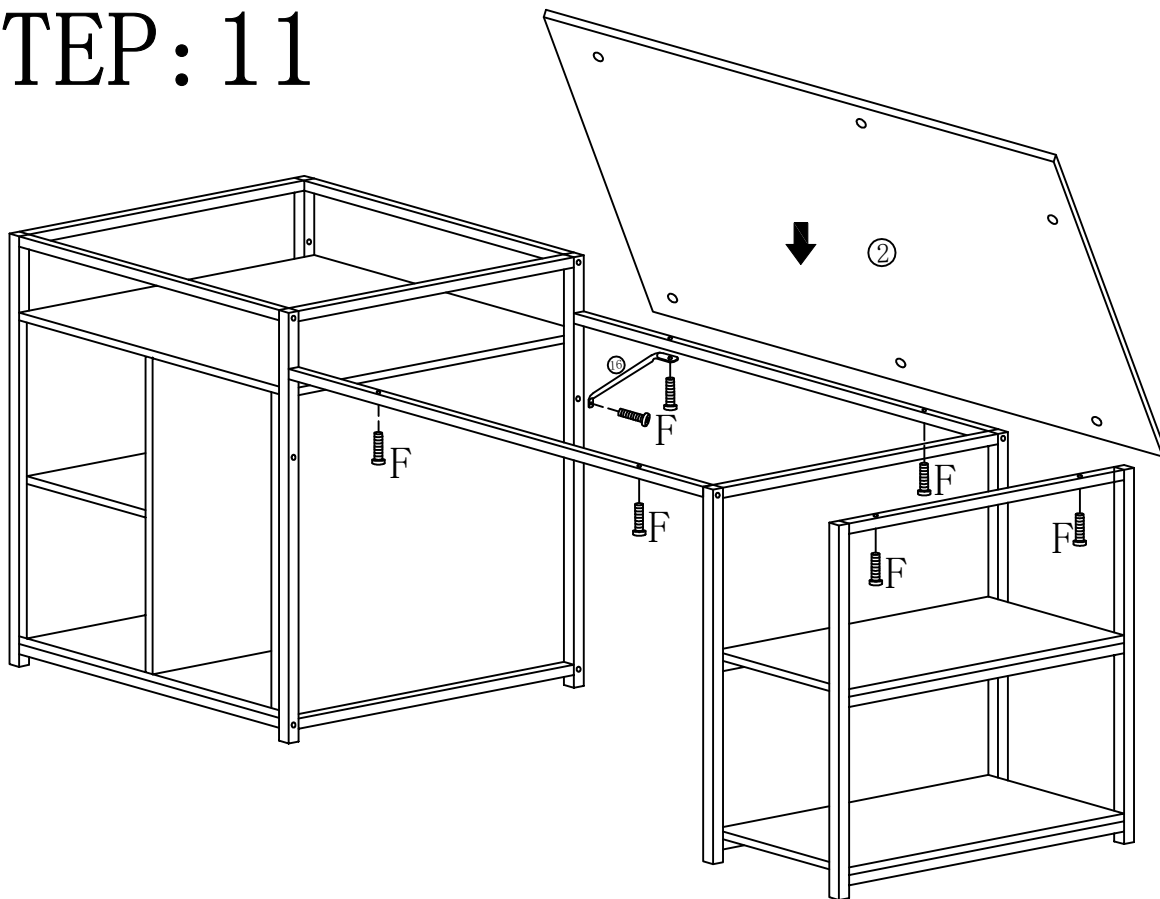
F	X4
	
M6*30mm	

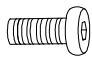
# STEP: 10



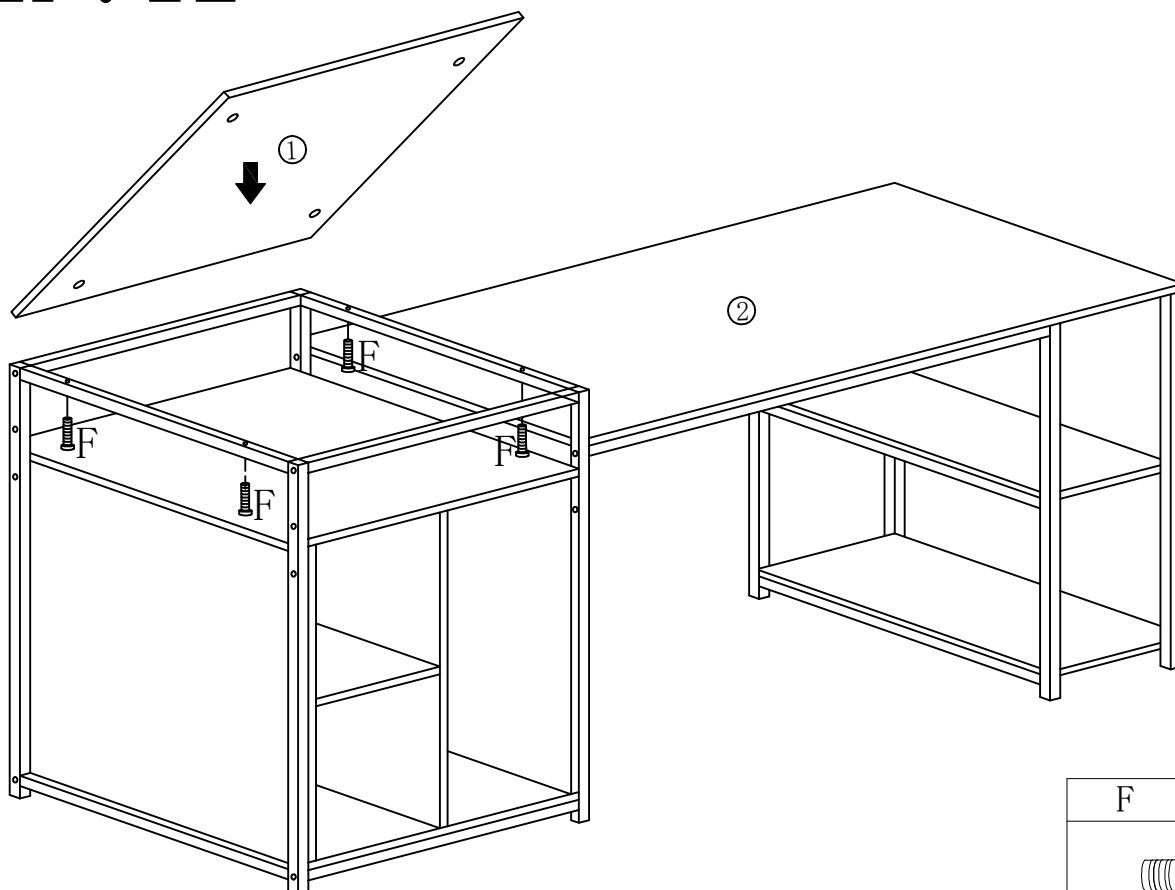
G	X4
	
M6*40mm	

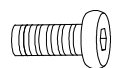
# STEP: 11



F	X7
	
M6*30mm	

# STEP: 12



F	X4
	
M6*30mm	