

ELSF1130W

5" or 6" LED Disk Light, Low Profile,
Surface/Recessed Installation



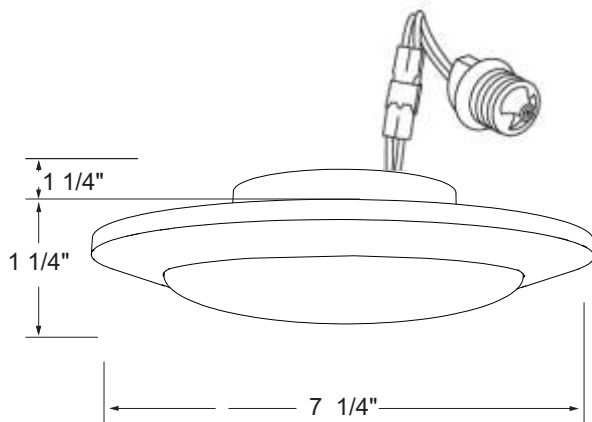
PROJECT INFORMATION:

Project Name: _____

Fixture Type: _____

Date: _____

DIMENSIONS



PRODUCT SPECIFICATIONS

- Suitable for hard wire installation into a standard 4x4 junction box.
- Suitable for installation into a 5" or 6" recessed fixtures with 2-wire connector.
- Suitable for installation into a 5" or 6" recessed fixtures with medium base socket, using PSA30 adaptor (included).
- Housing meets restricted air flow requirement (per ASTM E-283).
- CA Title 24 compliant.
- Meets ENERGY STAR requirements..

Lamp: LED array chip, CRI90

ELSF1130W: 13W, 3000°K, 900 lm

LED Driver: 120V AC, dimmable

Life-span: 50,000 hours

Labels: U.L. listed for wet locations

Warranty: 5 years limited

CATALOG NUMBER

Example: ELSF1130W