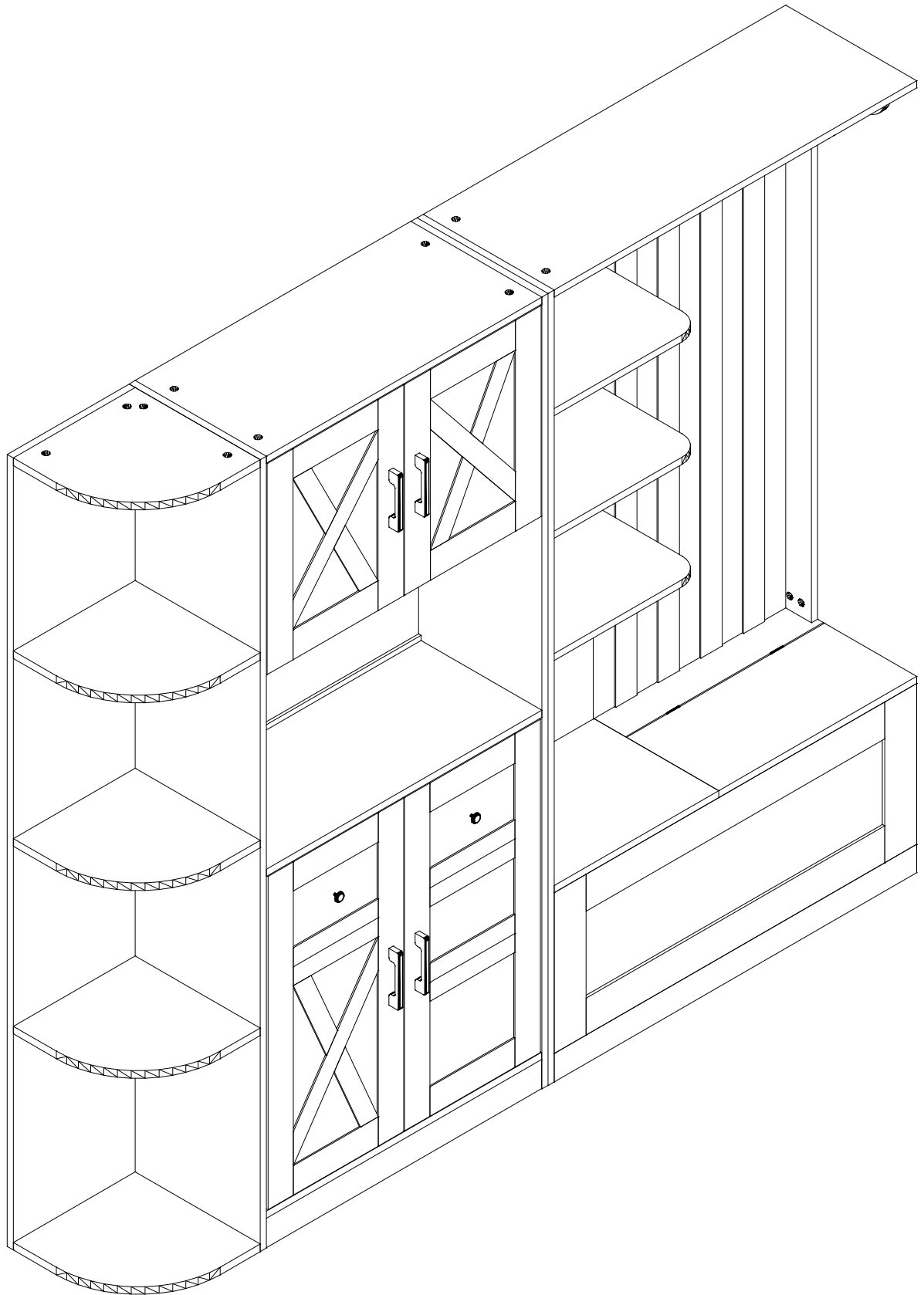
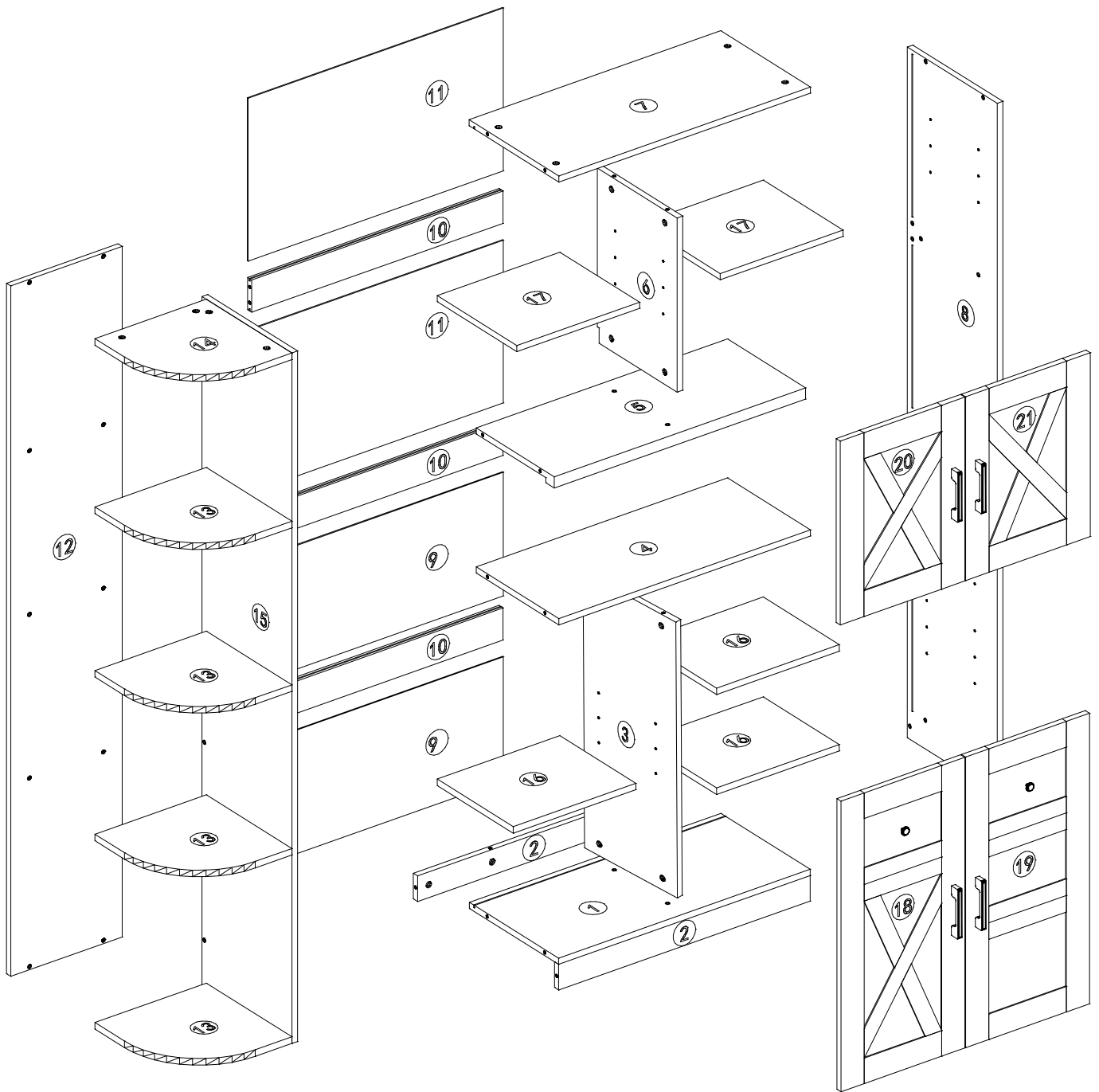


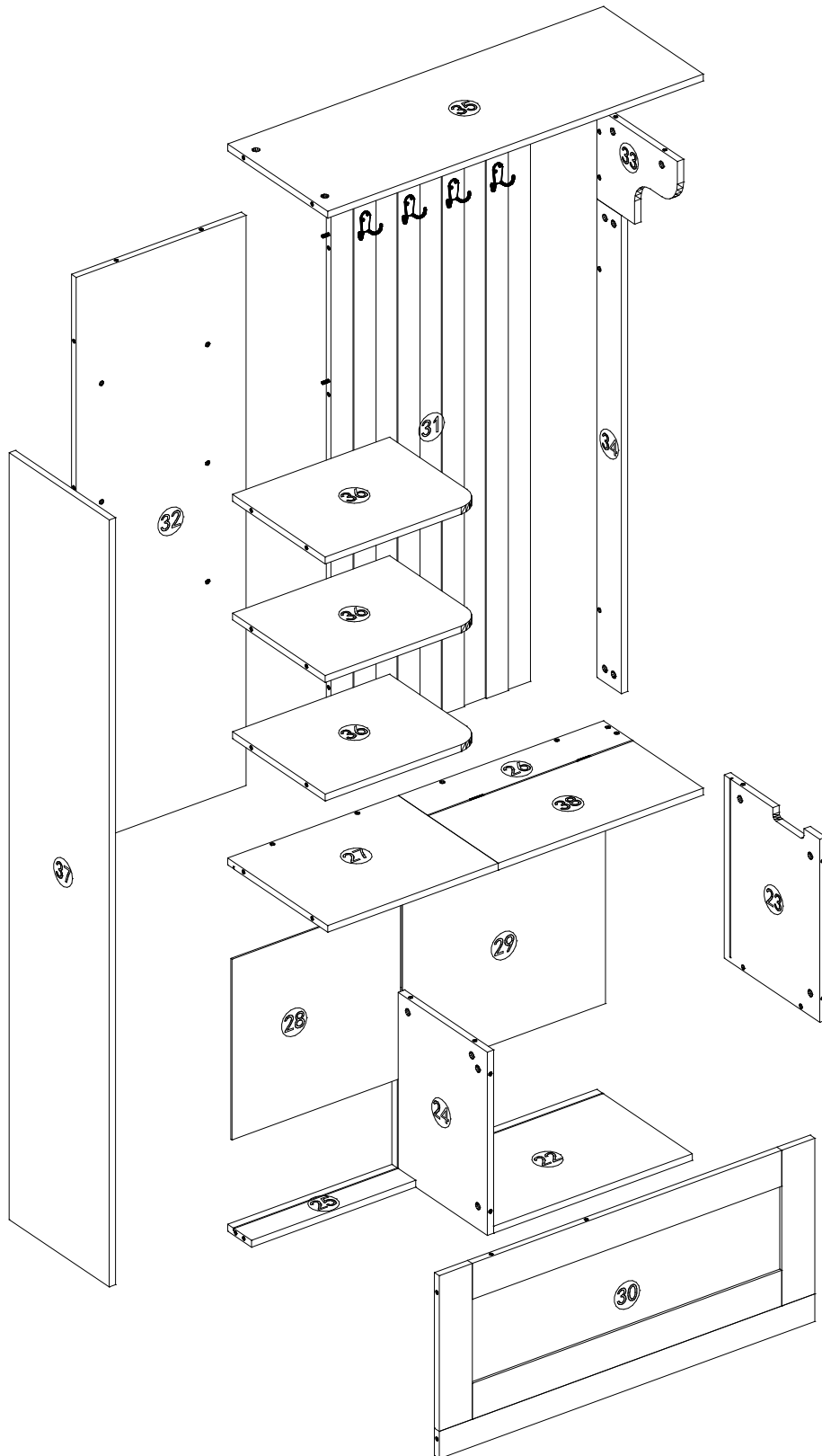
# Assembly Instructions



# Exploded view



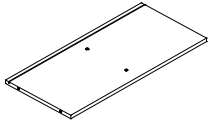
# Exploded view



# Component List

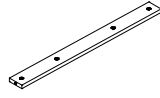
①

x1



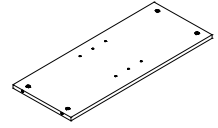
②

x2



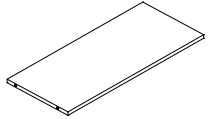
③

x1



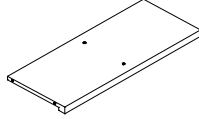
④

x1



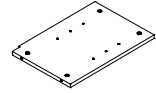
⑤

x1



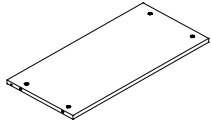
⑥

x1



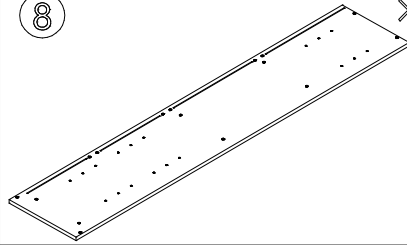
⑦

x1



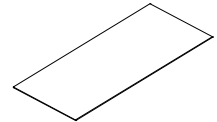
⑧

x1



⑨

x2



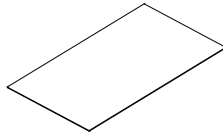
⑩

x3



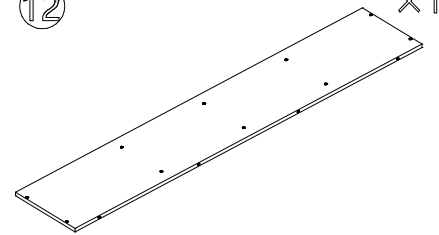
⑪

x2



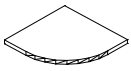
⑫

x1



⑬

x4



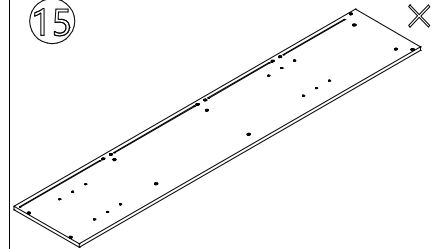
⑭

x1



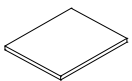
⑮

x1



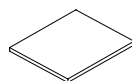
⑯

x3



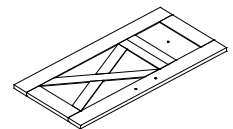
⑰

x2



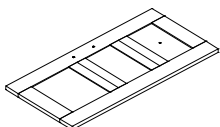
⑱

x1



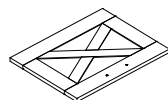
⑲

x1



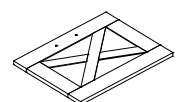
⑳

x1



㉑

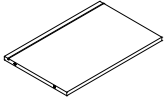
x1



# Component List

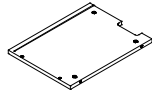
22

x1



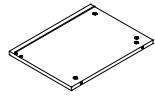
23

x1



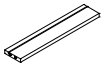
24

x1



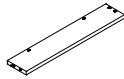
25

x1



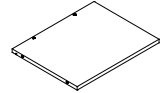
26

x1



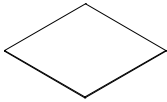
27

x1



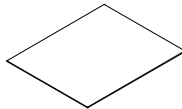
28

x1



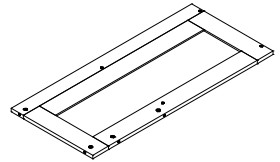
29

x1



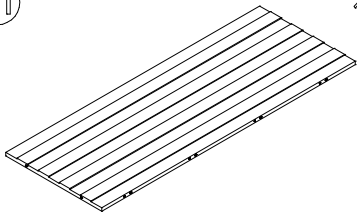
30

x1



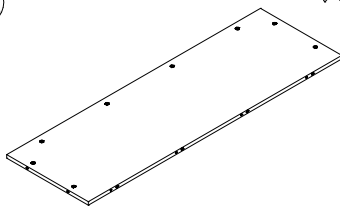
31

x1



32

x1



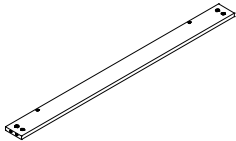
33

x1



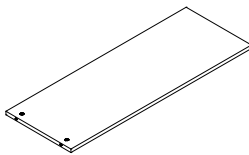
34

x1



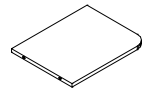
35

x1



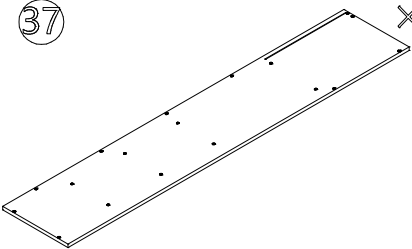
36

x3



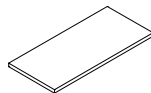
37

x1



38

x1



# Hardware List

×131



(A)

6\*33mm

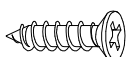
×131



(B)

ø5\*10mm

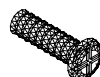
×48



(C)

ø4\*12mm

×10



(D)

ø4\*20mm

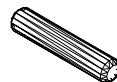
×20



(E)

M5\*12

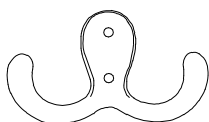
×4



(F)

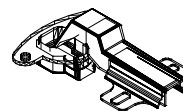
M8\*30

×4



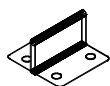
(G)

×8



(H)

×2



(I)

×2



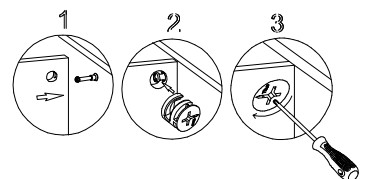
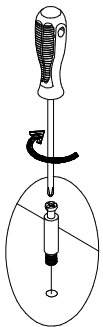
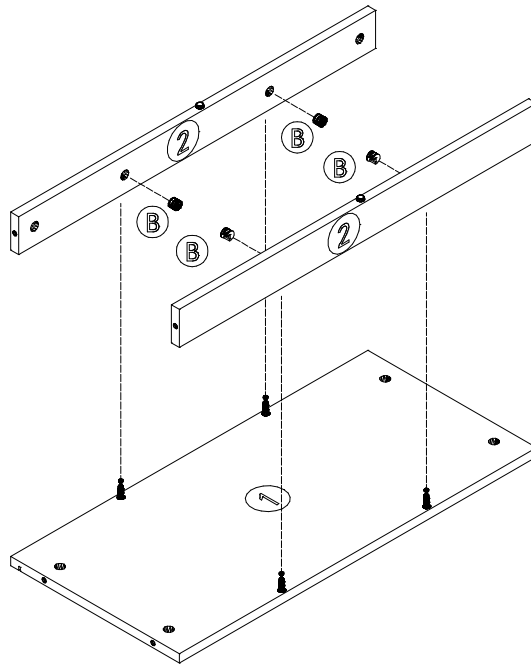
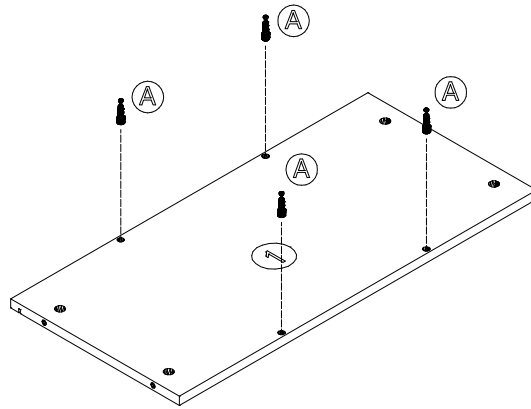
(J)

×4

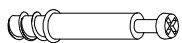


(K)

# Installation steps: 1



A



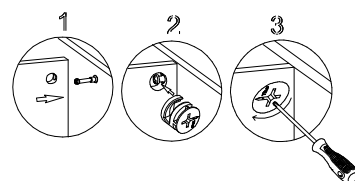
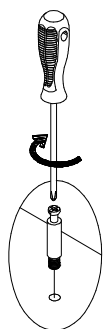
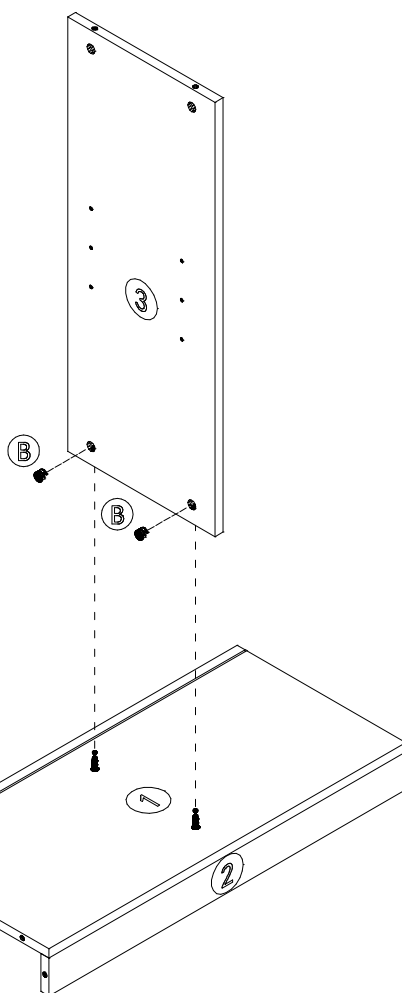
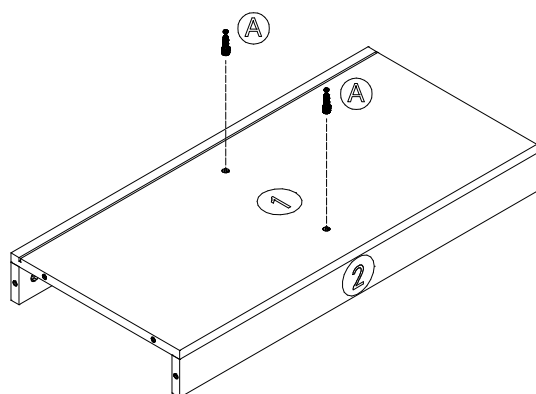
[ × 4 ]

B

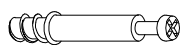


[ × 4 ]

# Installation steps: 2



A



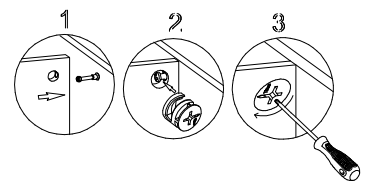
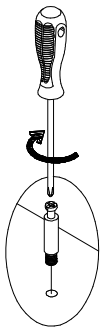
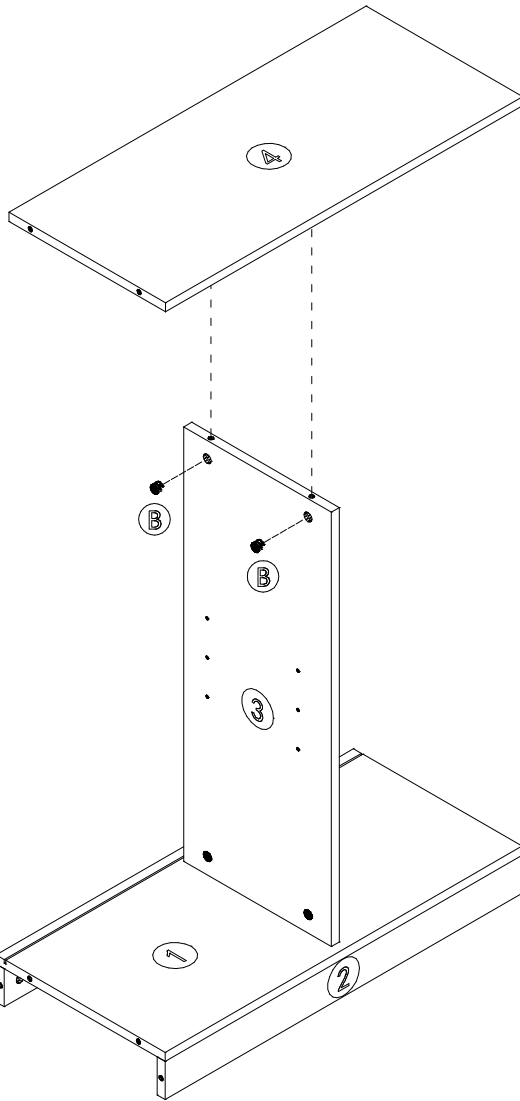
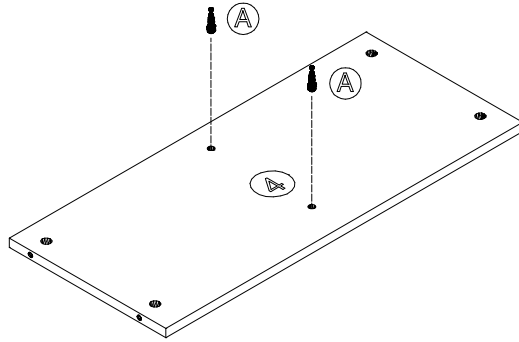
[ × 2 ]

B



[ × 2 ]

# Installation steps: 3



A



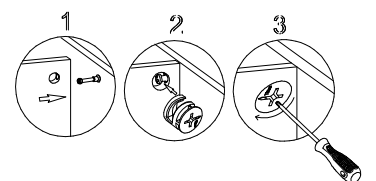
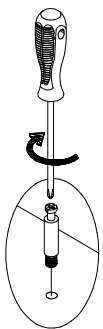
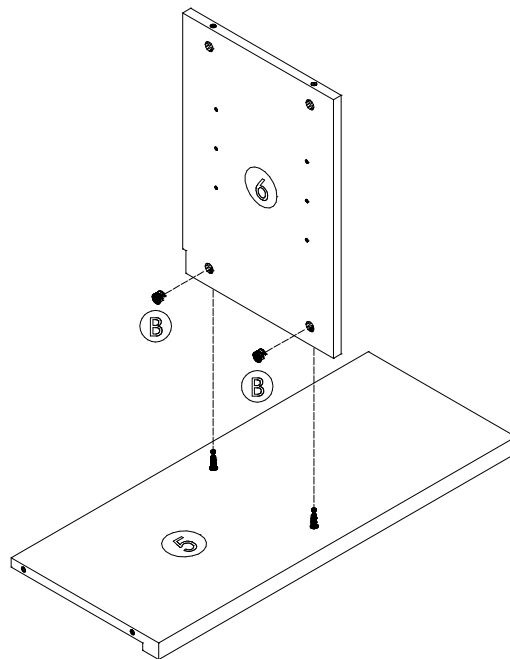
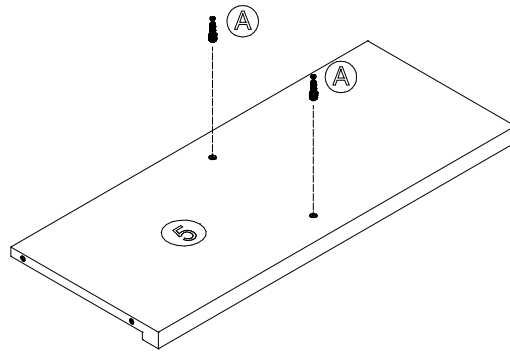
[x2]

B

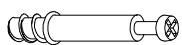


[x2]

# Installation steps: 4



A



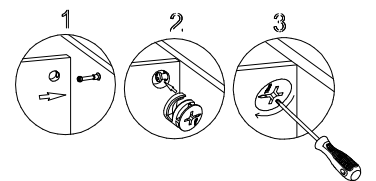
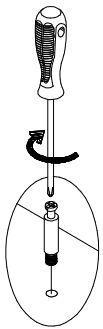
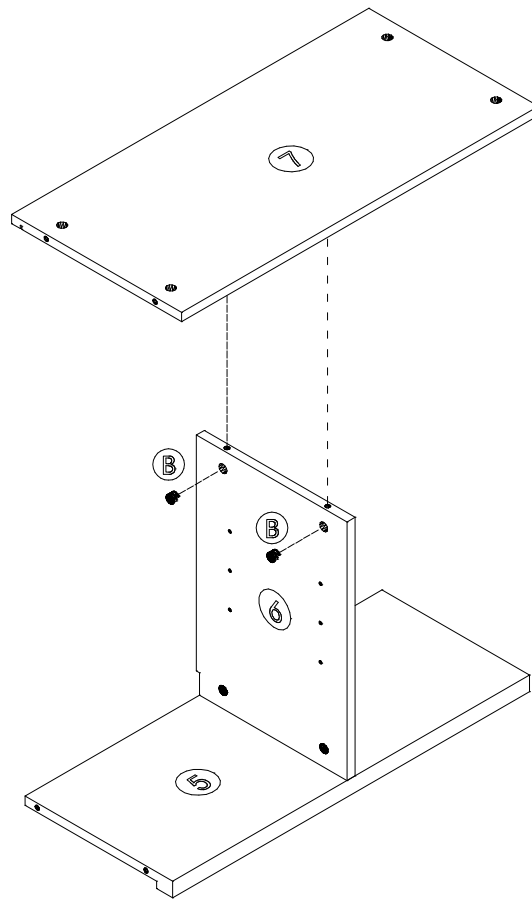
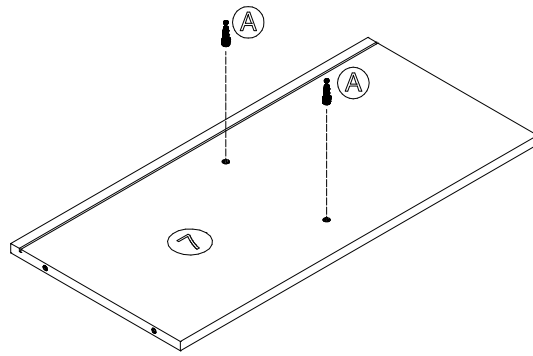
[ × 2 ]

B



[ × 2 ]

# Installation steps: 5



A



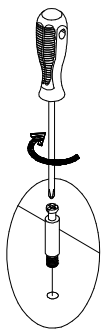
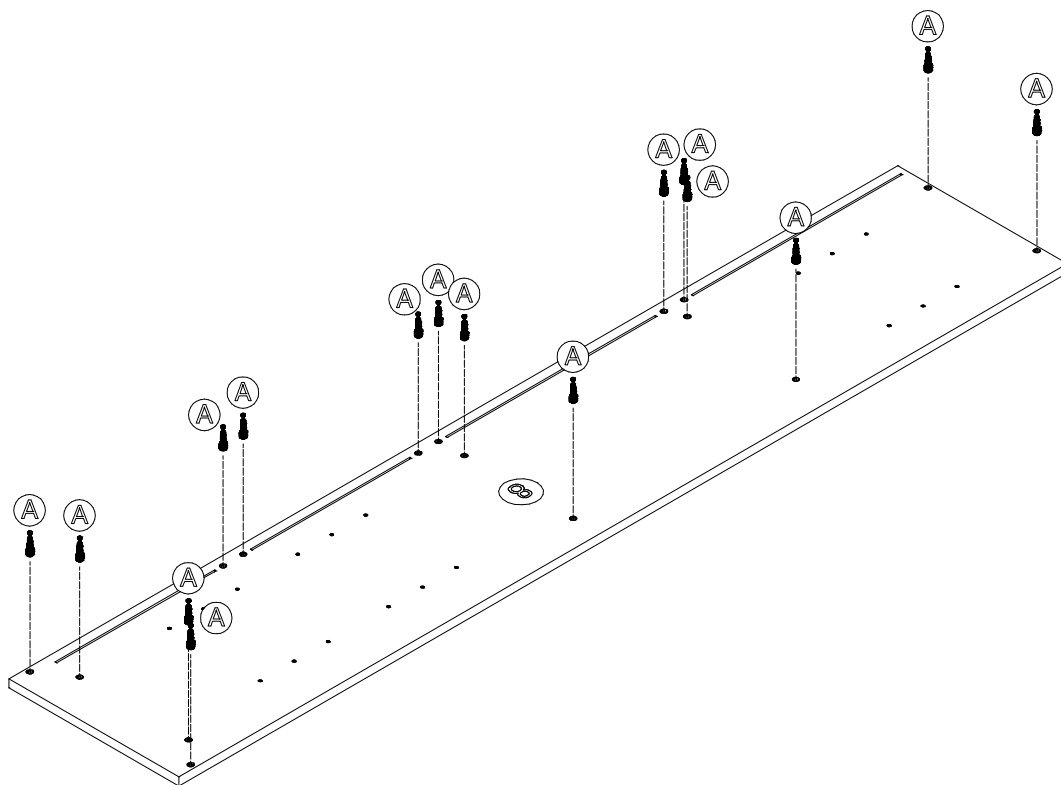
[ × 2 ]

B

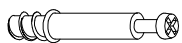


[ × 2 ]

# Installation steps: 6

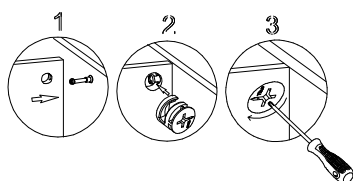
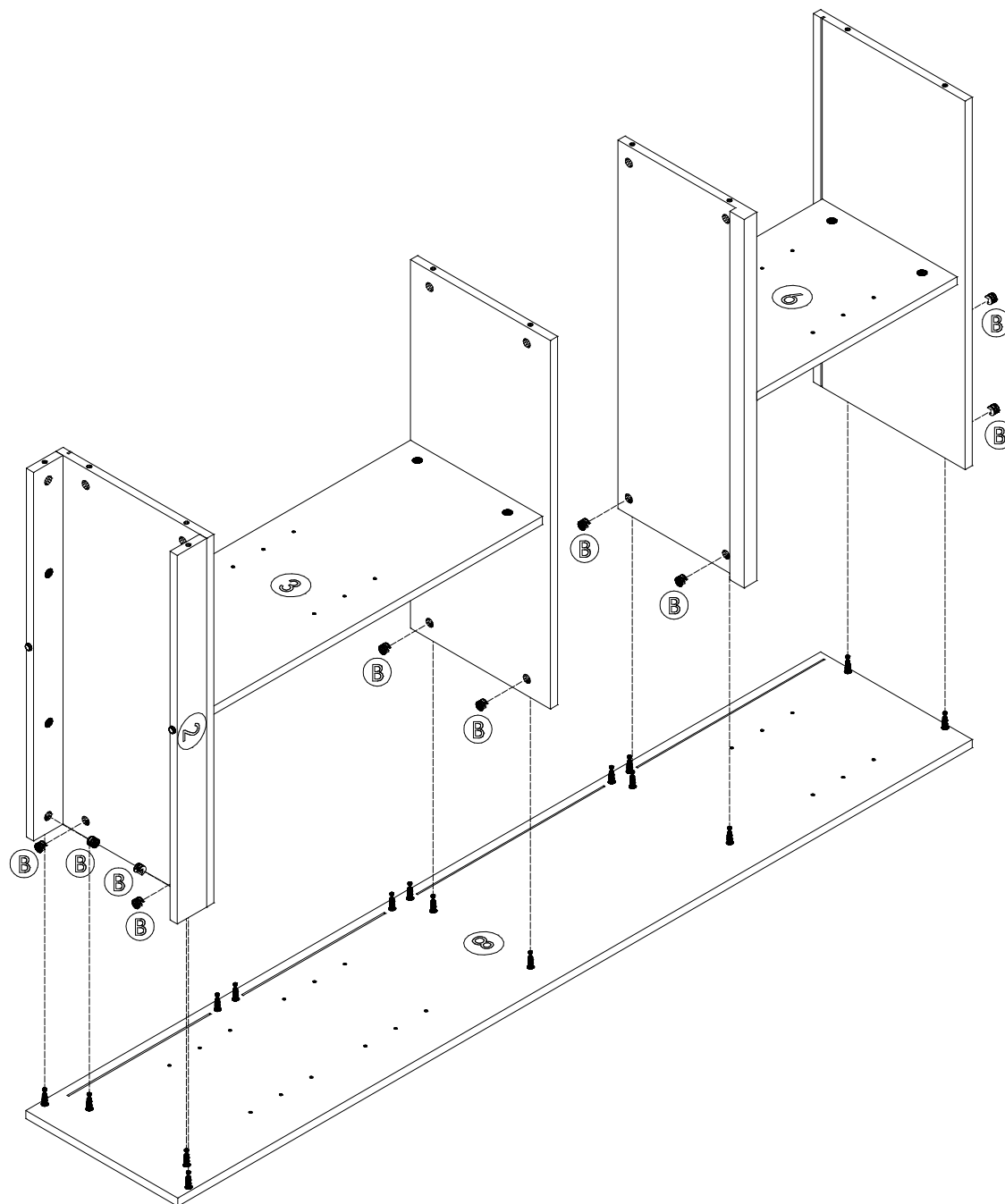


A



[ × 16 ]

# Installation steps: 7

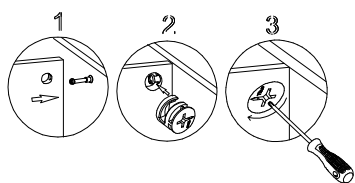
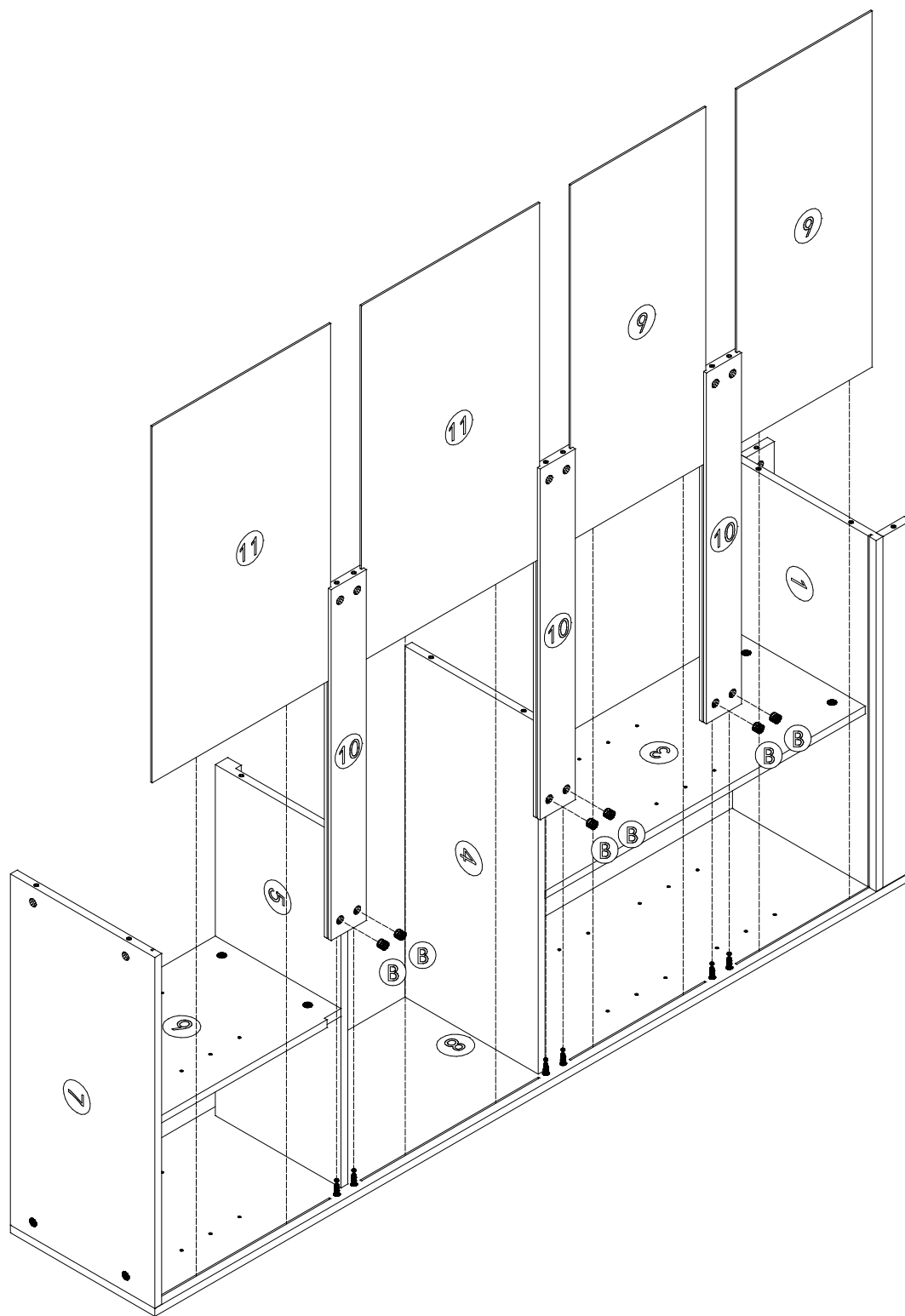


(B)



[ × 10 ]

# Installation steps: 8

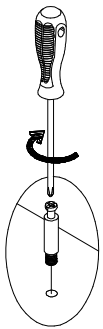
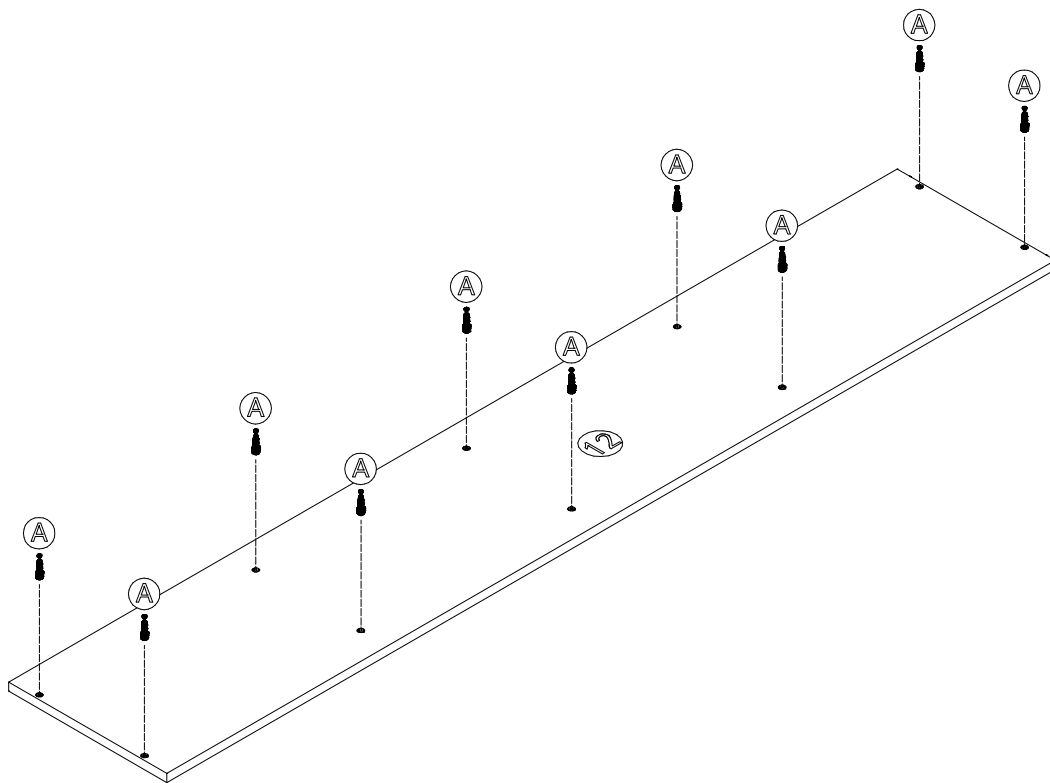


(B)

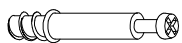


[×6]

# Installation steps: 9

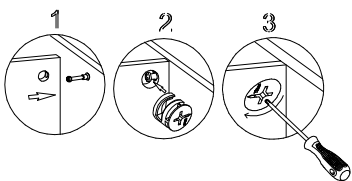
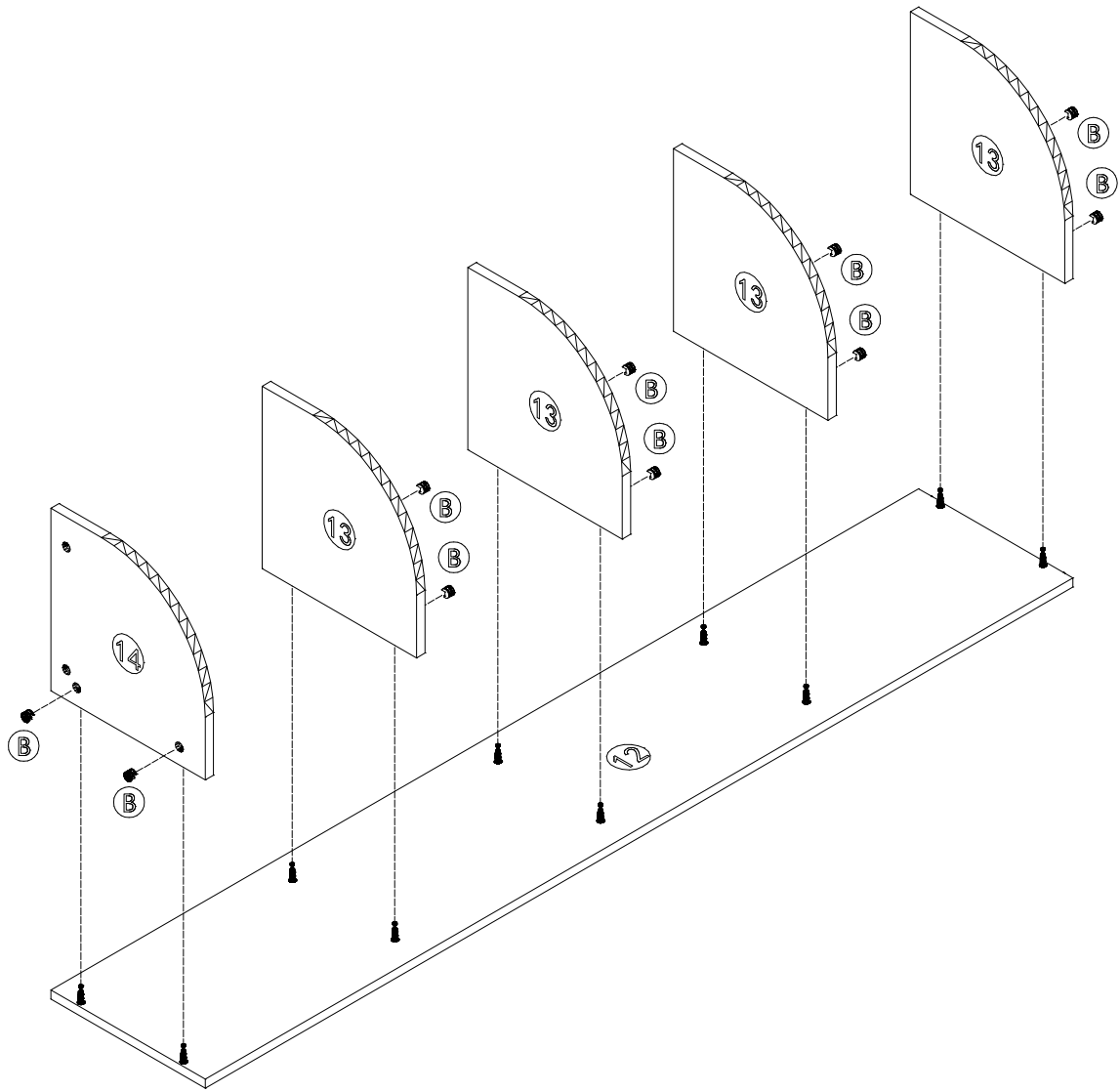


A



[ × 10 ]

# Installation steps: 10

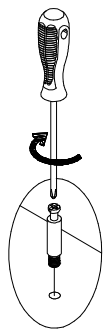
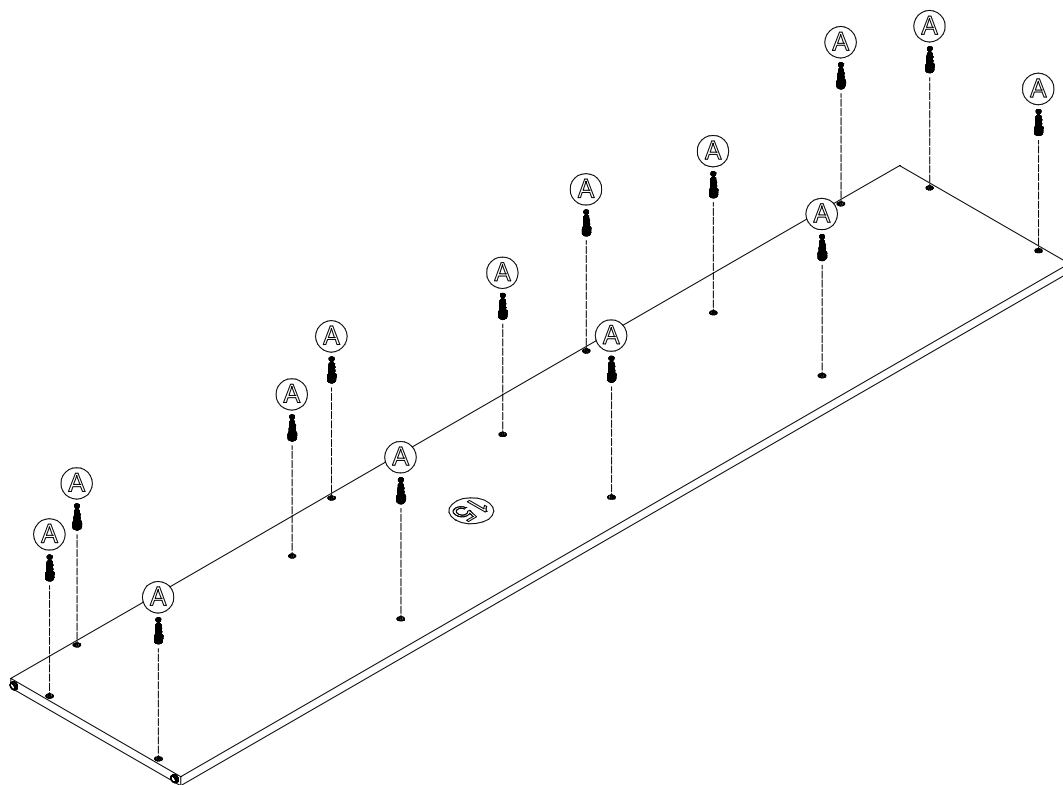


(B)

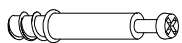


[×10]

# Installation steps: 11

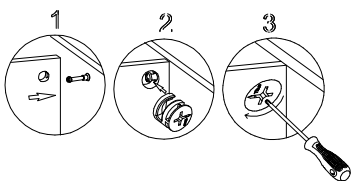
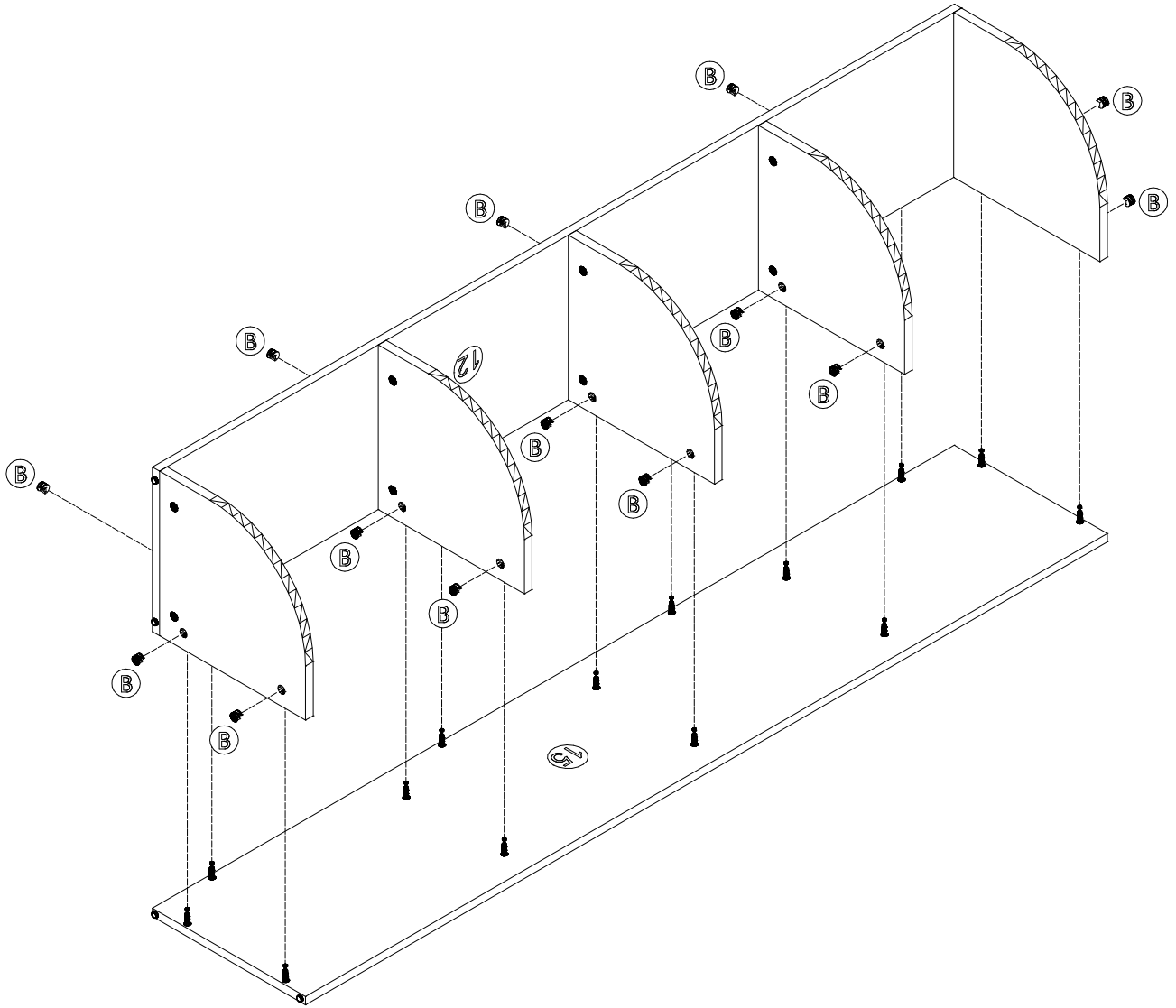


A



[ × 14 ]

# Installation steps: 12

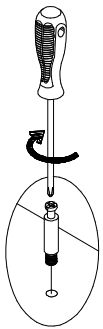
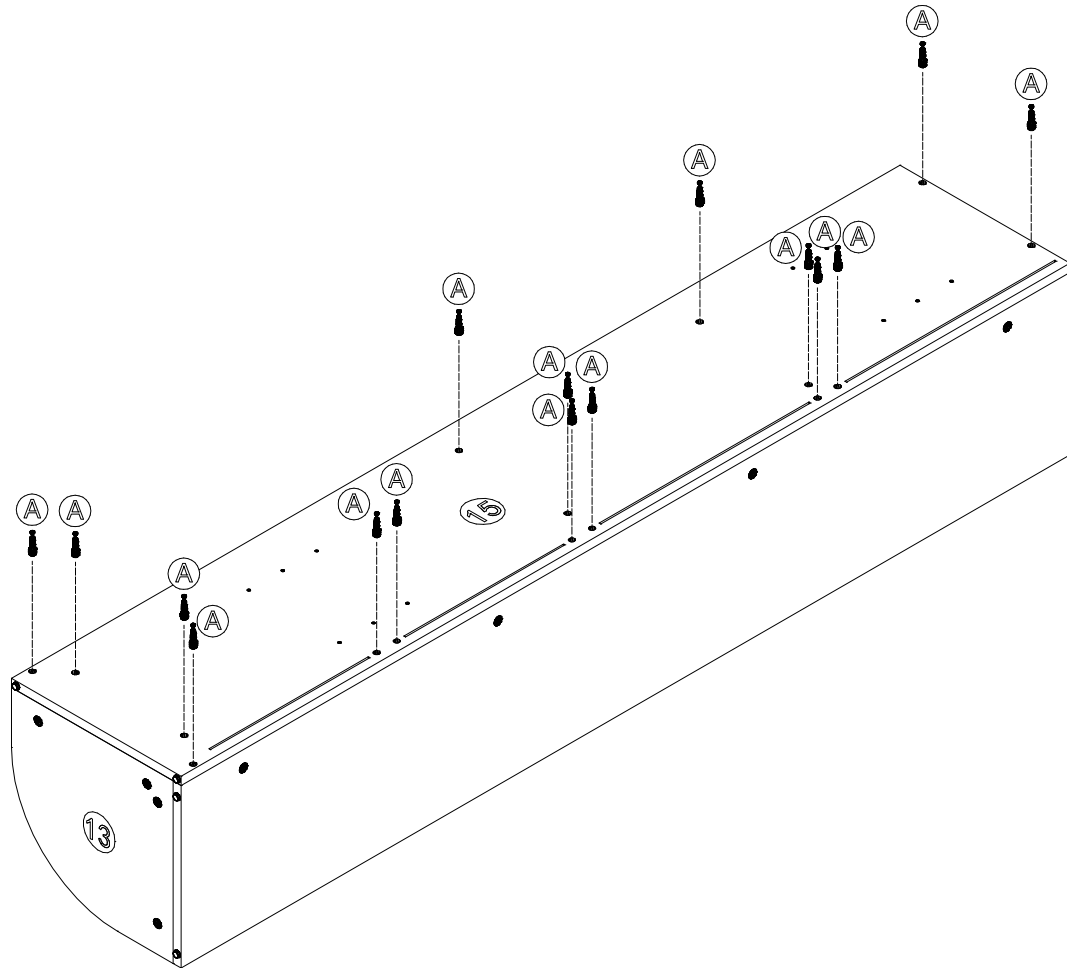


(B)



[ × 14 ]

# Installation steps: 13

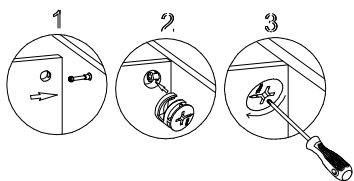
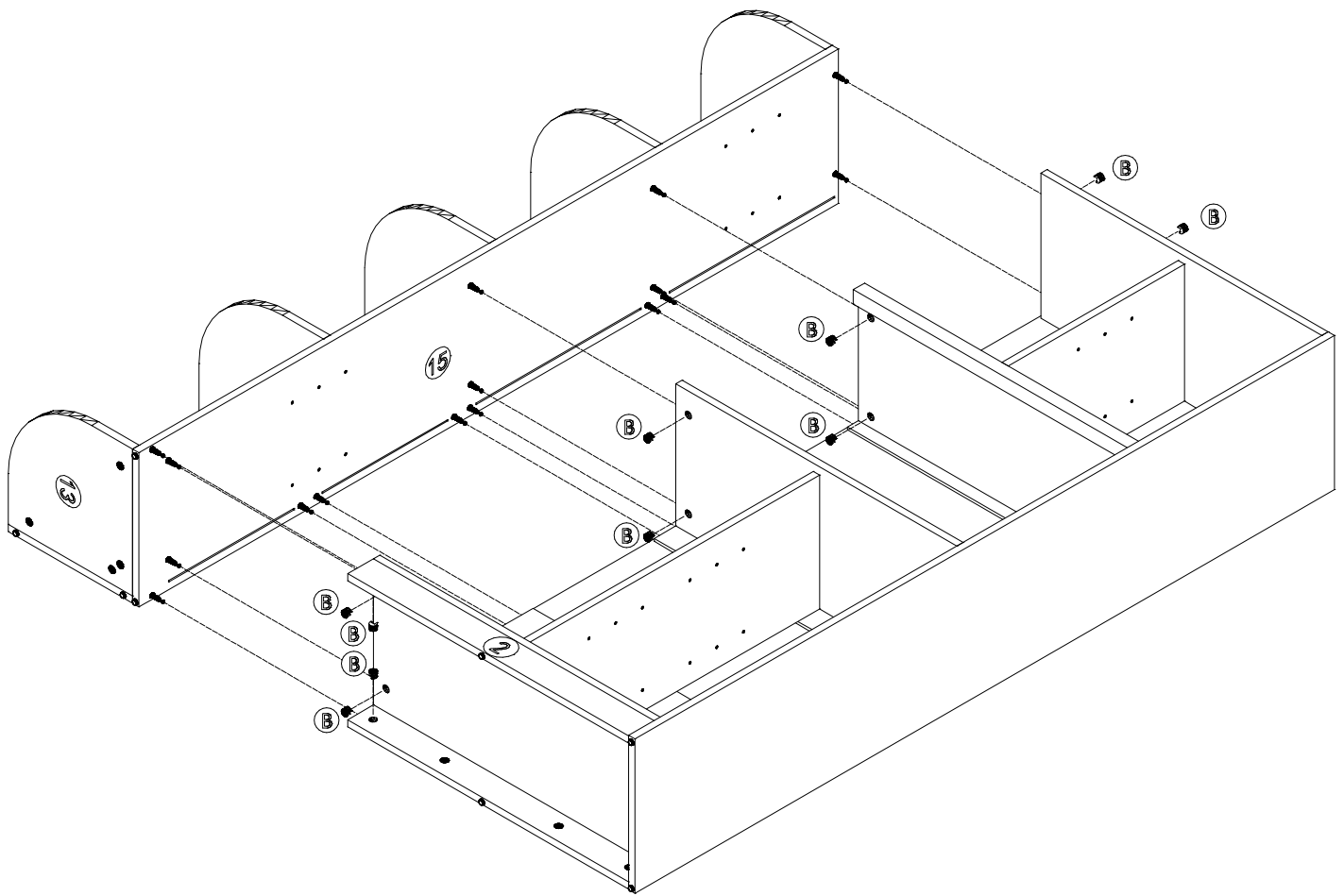


A



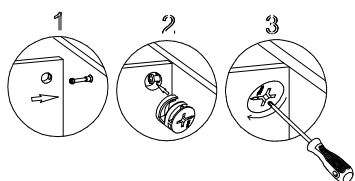
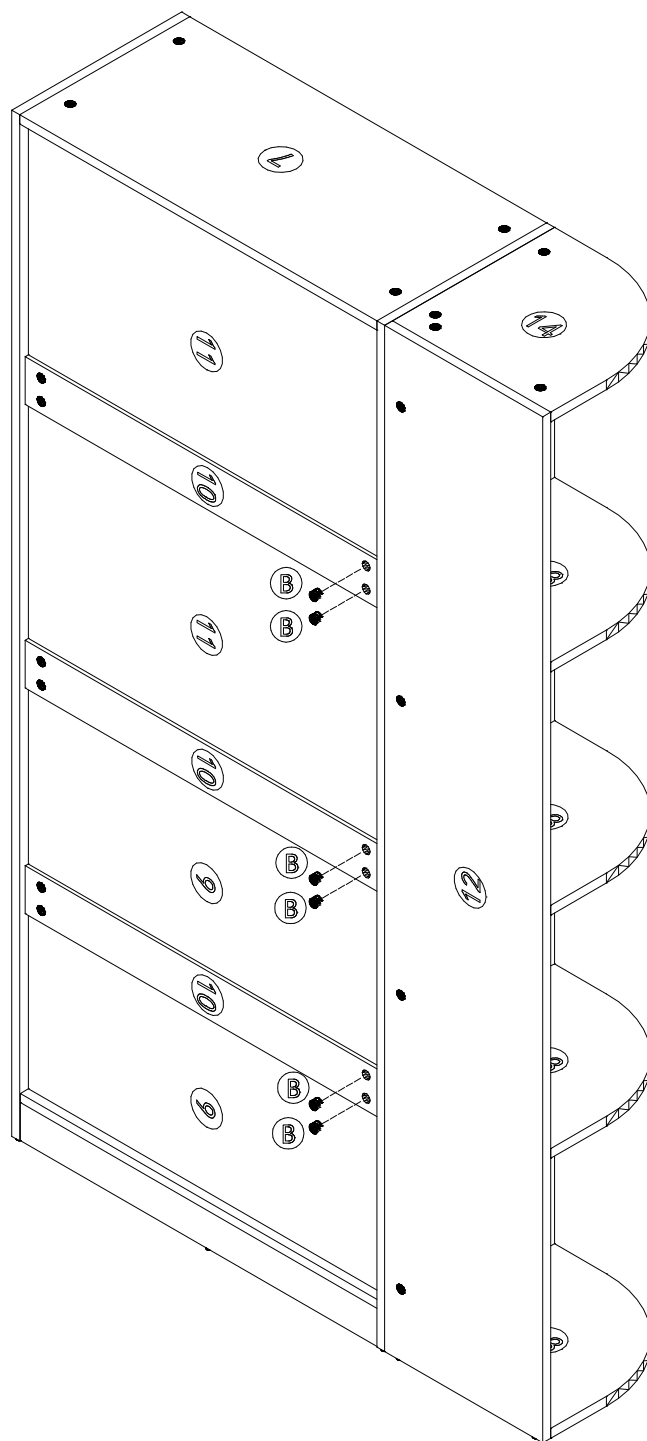
[ × 16 ]

# Installation steps: 14



[ × 10 ]

# Installation steps: 15

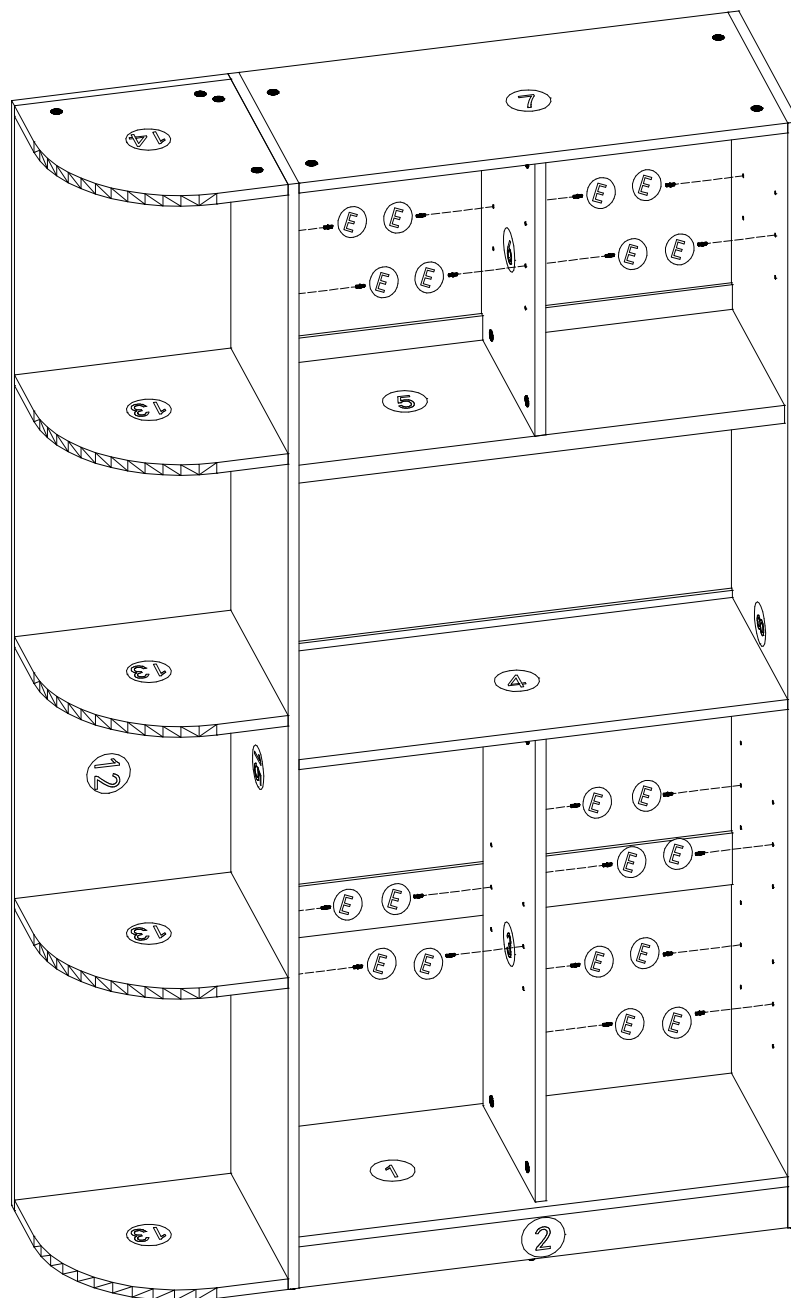


B



[X6]

# Installation steps: 16

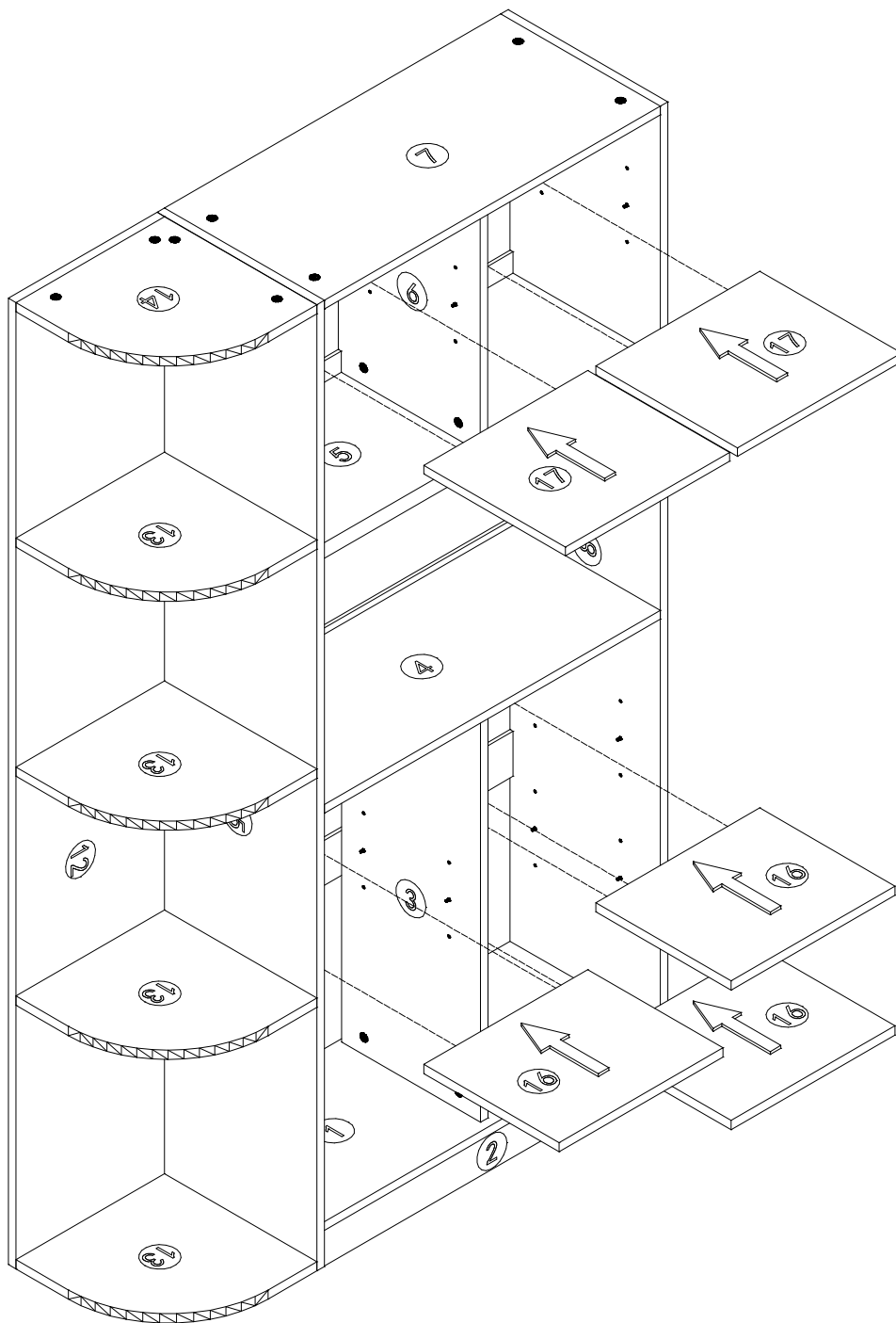


(E)

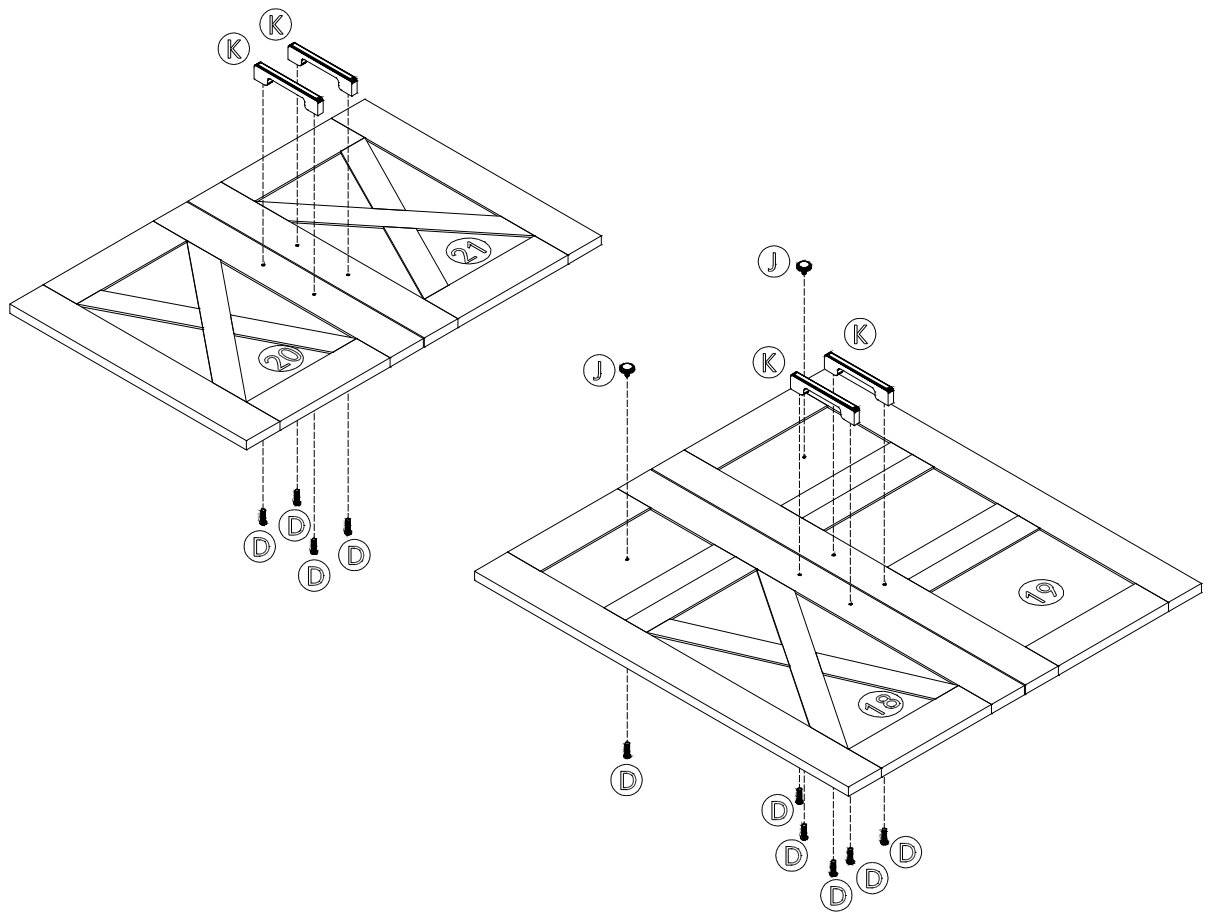


[ × 20 ]

# Installation steps: 17



# Installation steps: 18

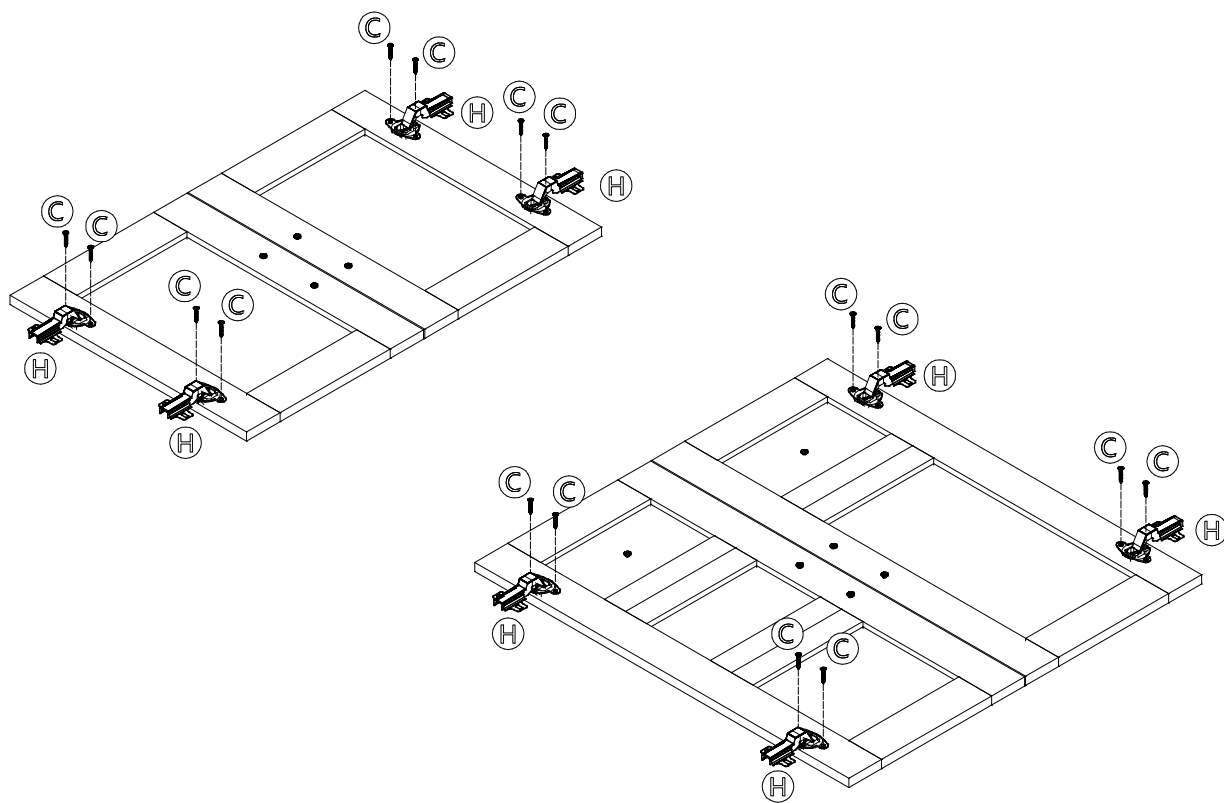


Ⓛ  [×10]

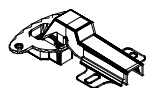
ⓔ  [×2]

Ⓚ  [×4]

# Installation steps: 19

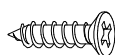


(A)



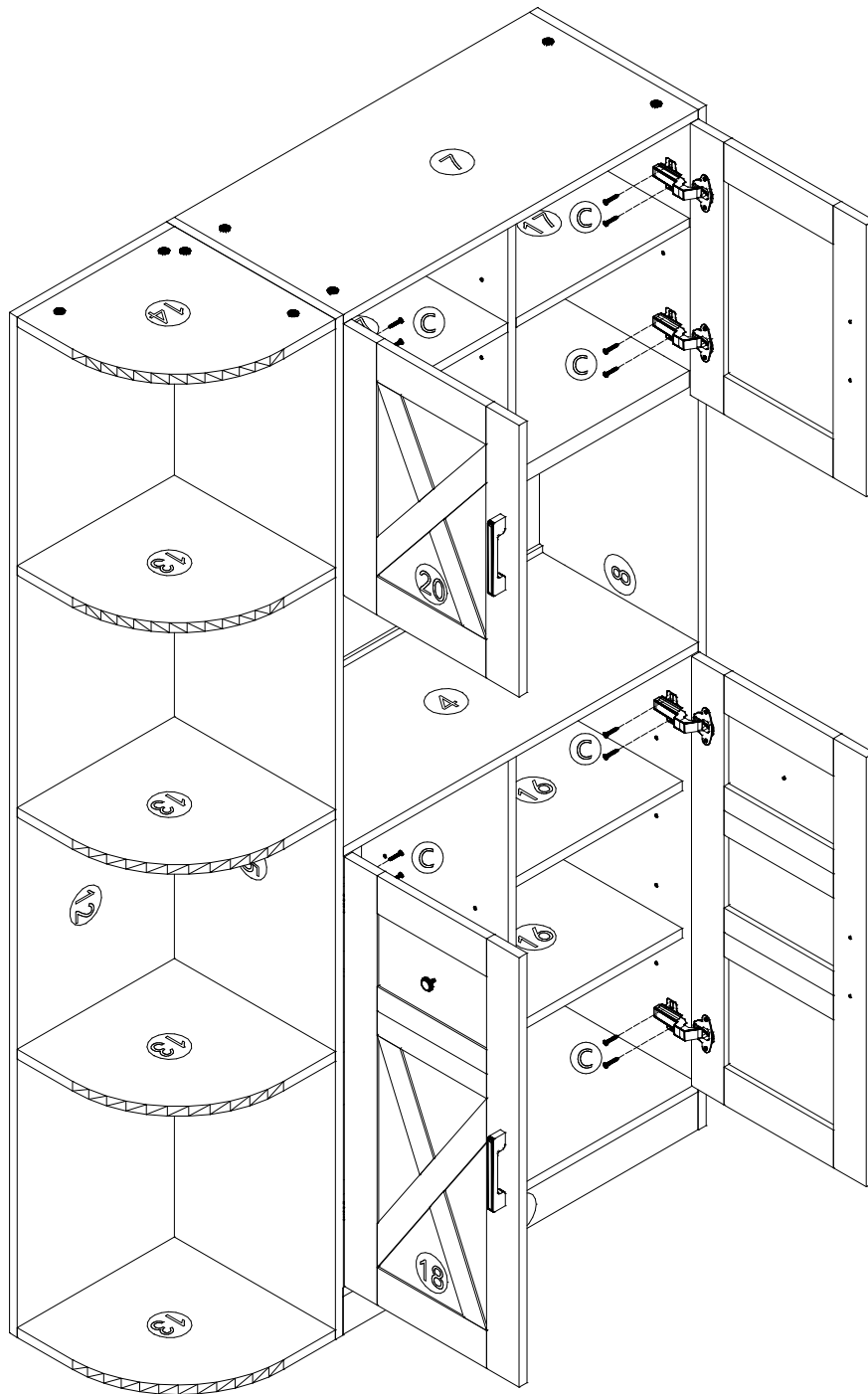
[ × 8 ]

(C)



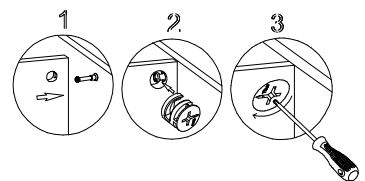
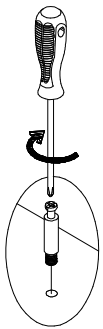
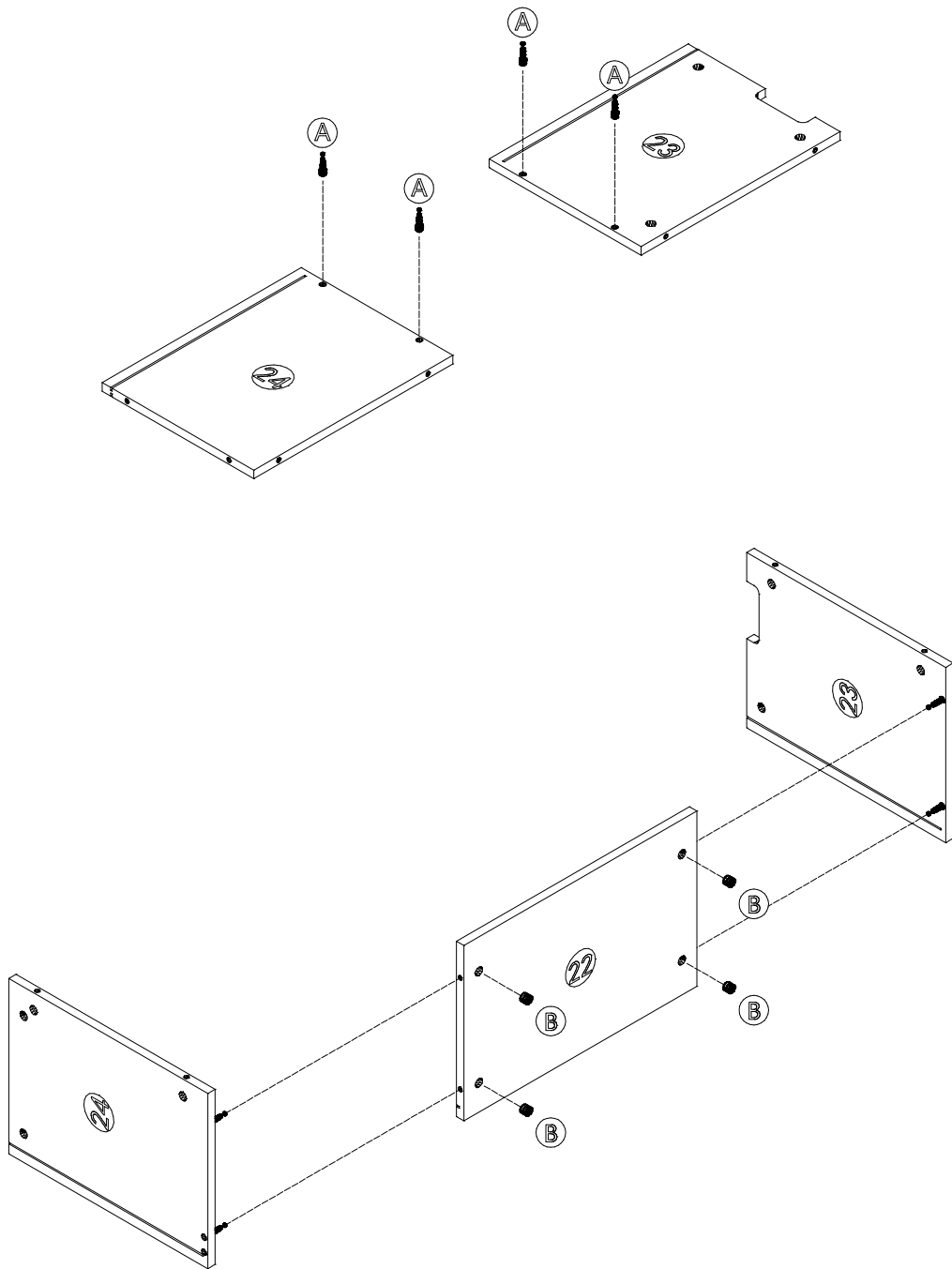
[ × 16 ]

# Installation steps: 20

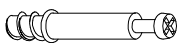


[ ×16 ]

# Installation steps: 21



A



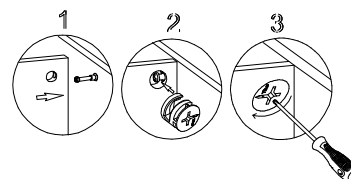
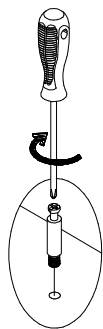
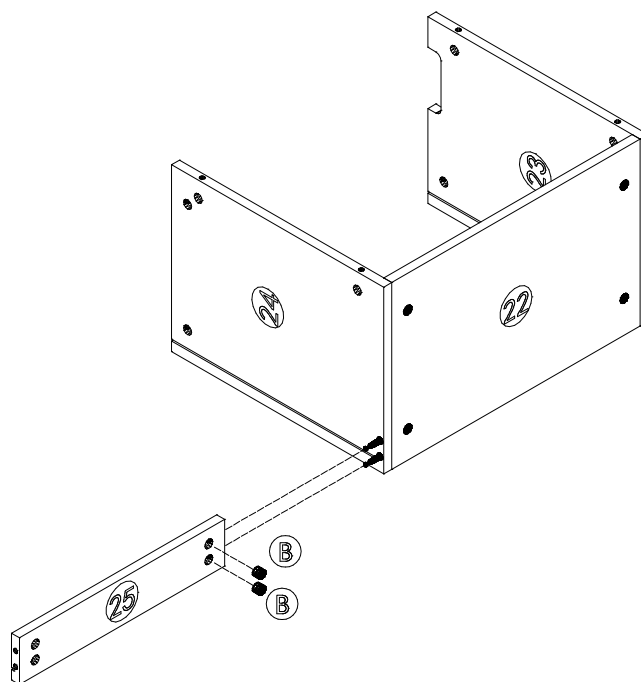
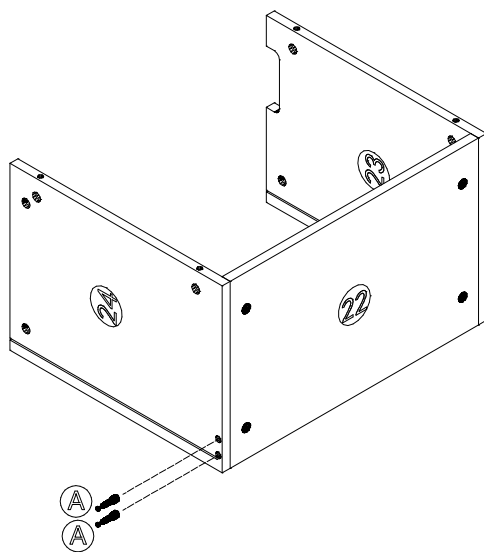
[ × 4 ]

B

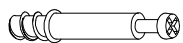


[ × 4 ]

# Installation steps: 22



A



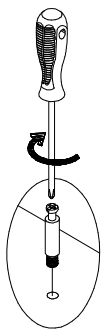
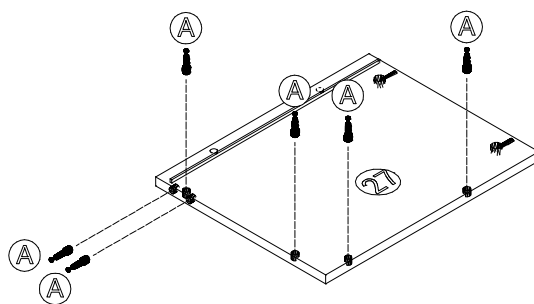
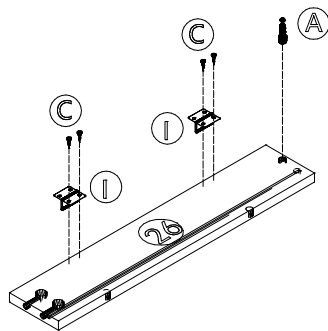
[ × 2 ]

B

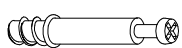


[ × 2 ]

# Installation steps: 23



A



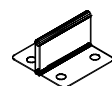
[ × 7 ]

C



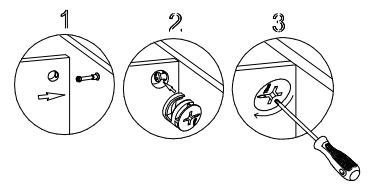
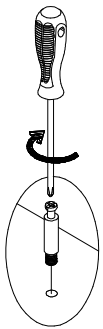
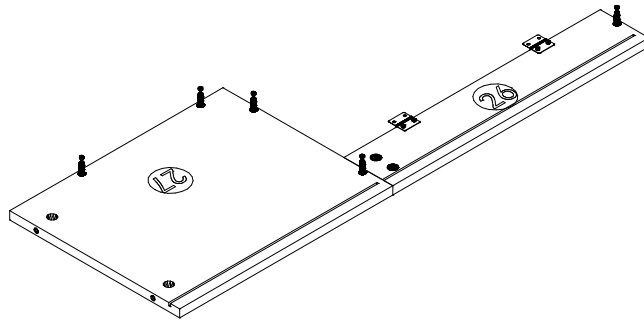
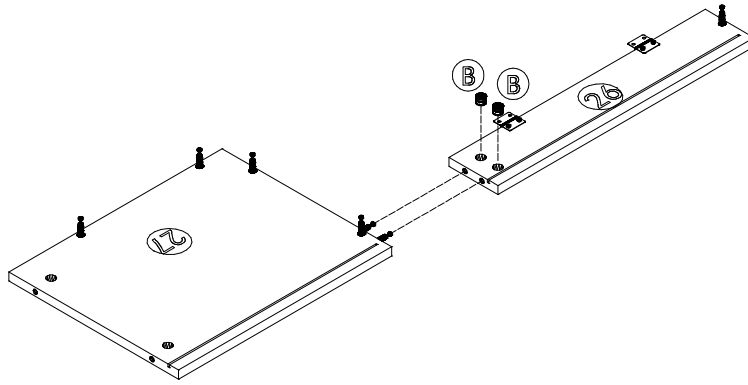
[ × 4 ]

I

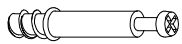


[ × 2 ]

# Installation steps: 24



(A)



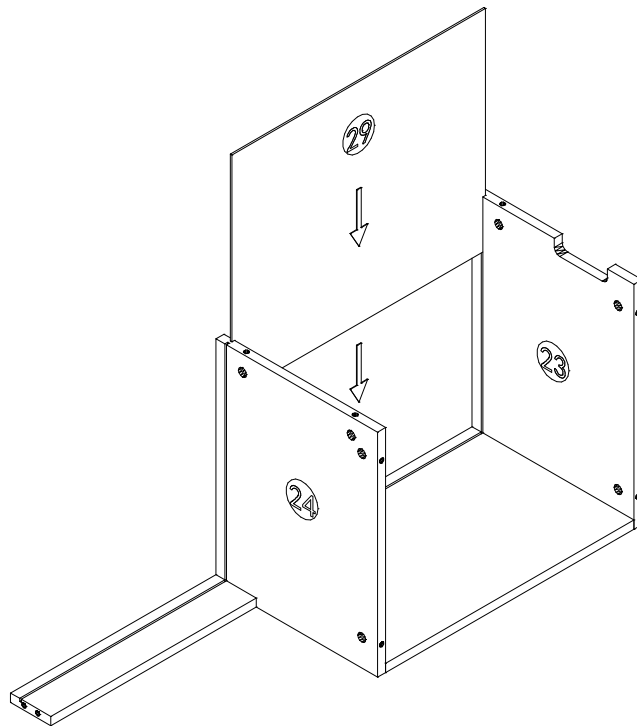
[×0]

(B)

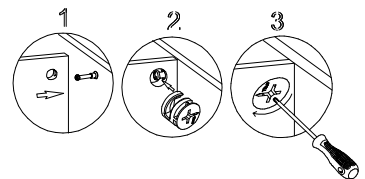
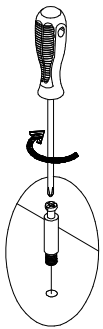
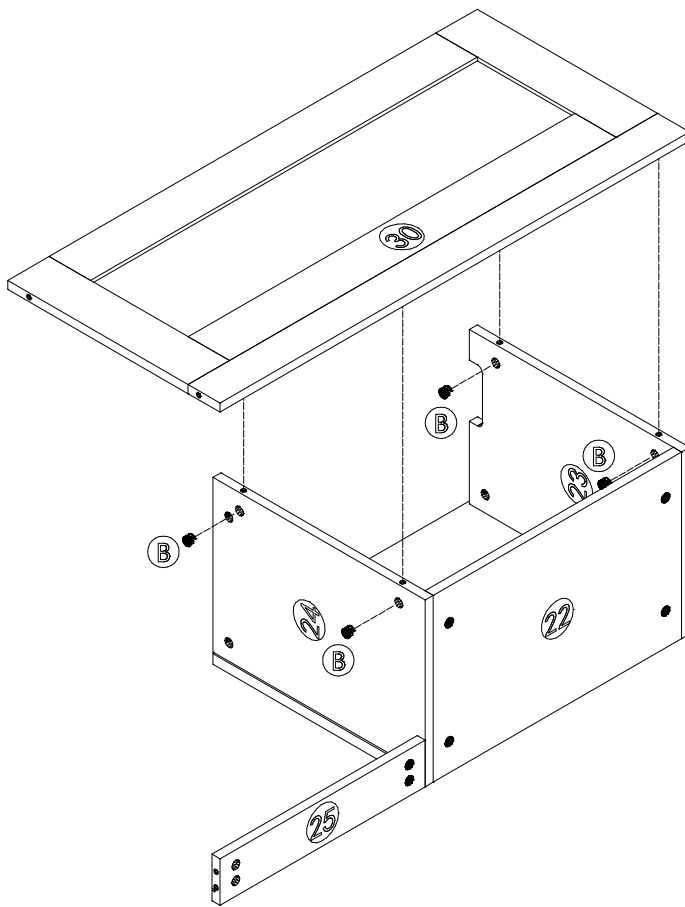
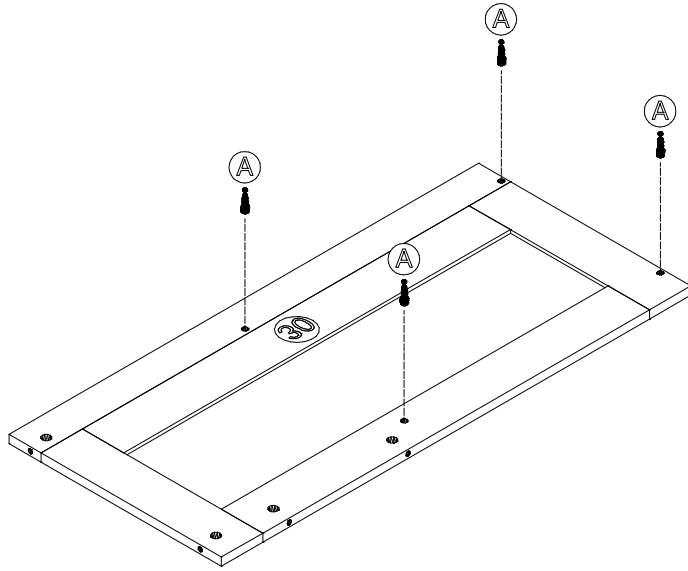


[×2]

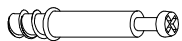
# Installation steps: 25



# Installation steps: 26



A



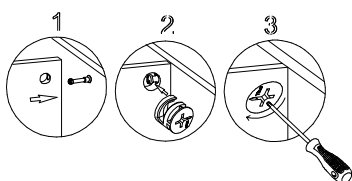
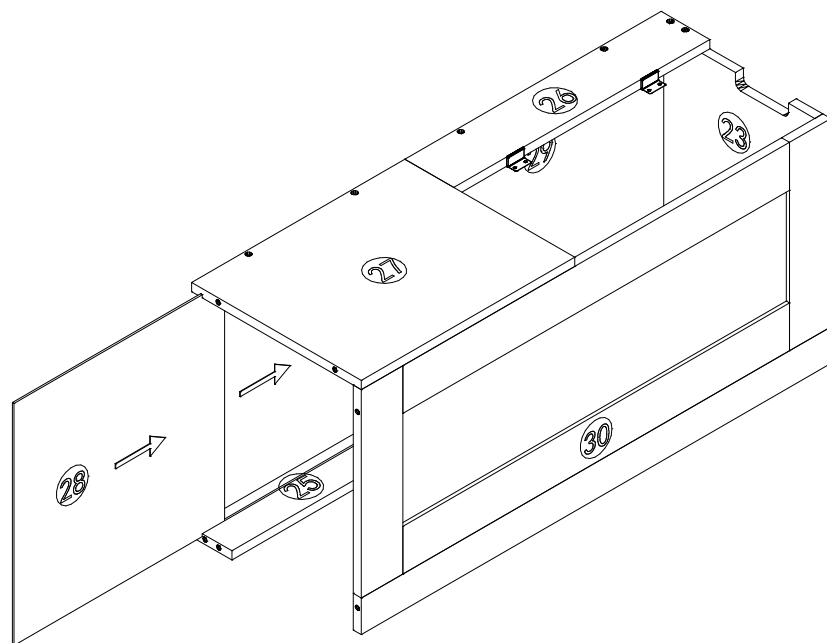
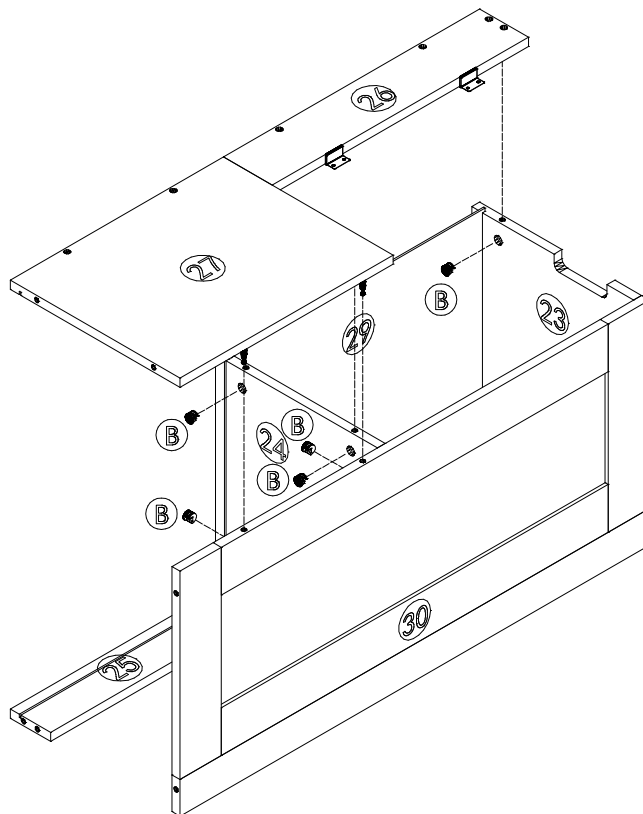
[ × 4 ]

B



[ × 4 ]

# Installation steps: 27

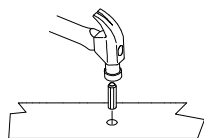
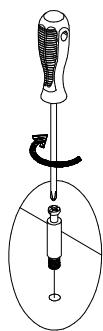
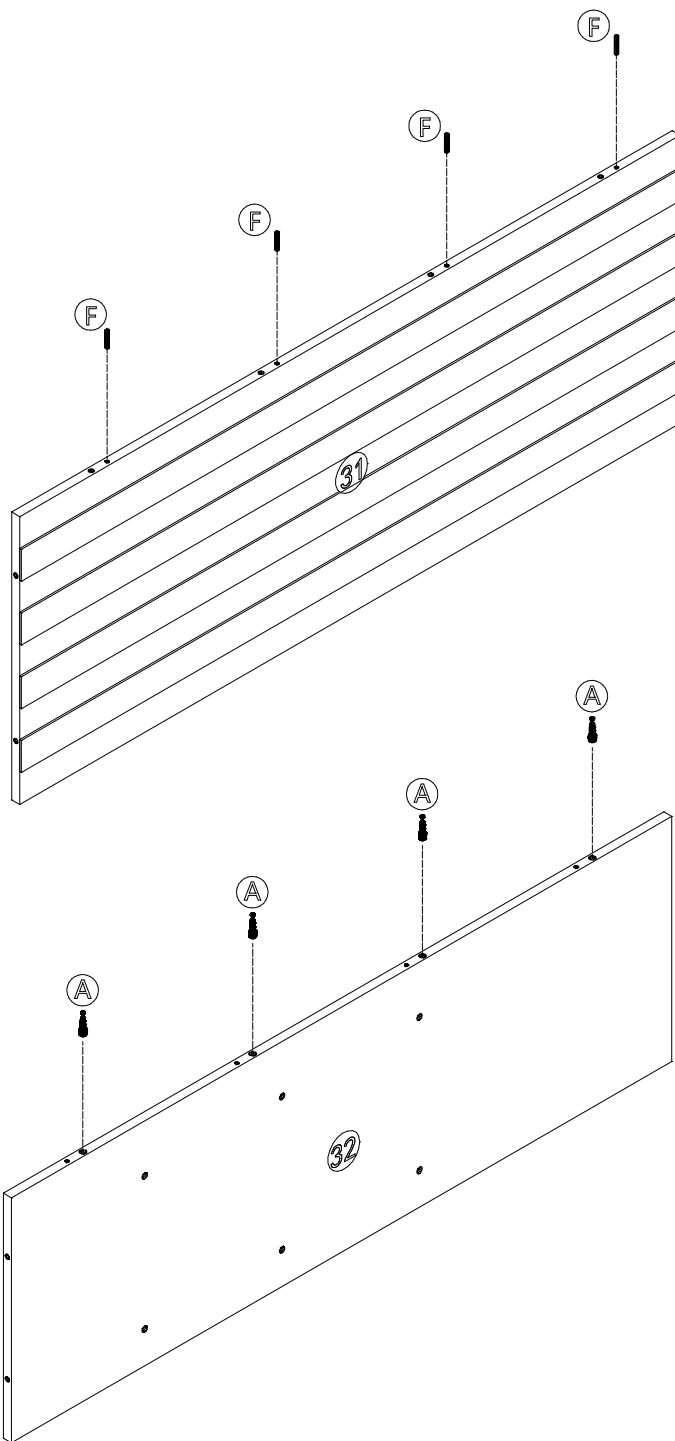


(B)

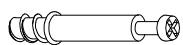


[ × 5 ]

# Installation steps: 28

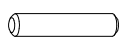


A



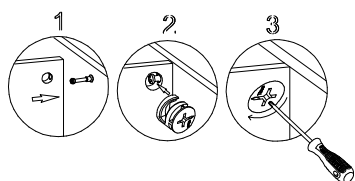
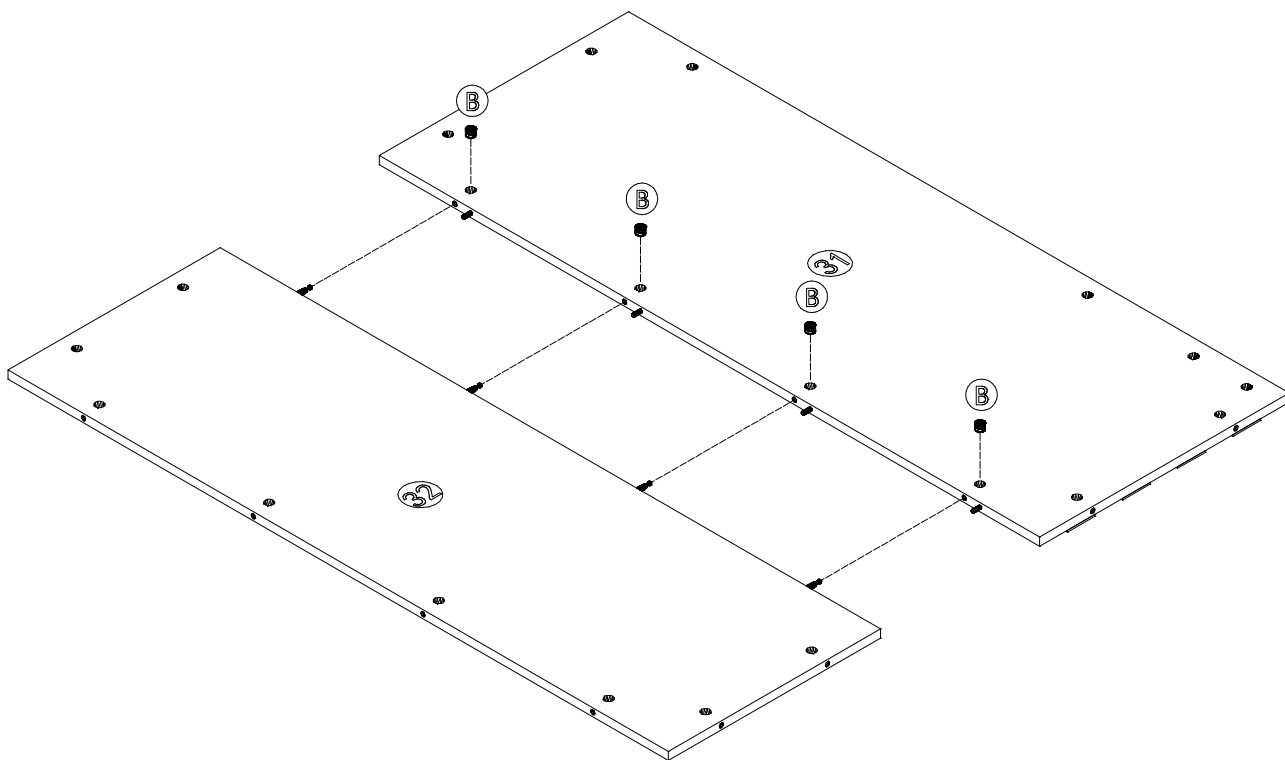
[ × 4 ]

F



[ × 4 ]

# Installation steps: 29

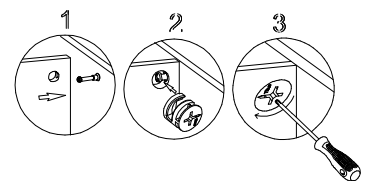
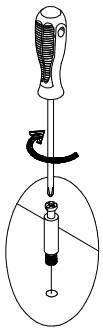
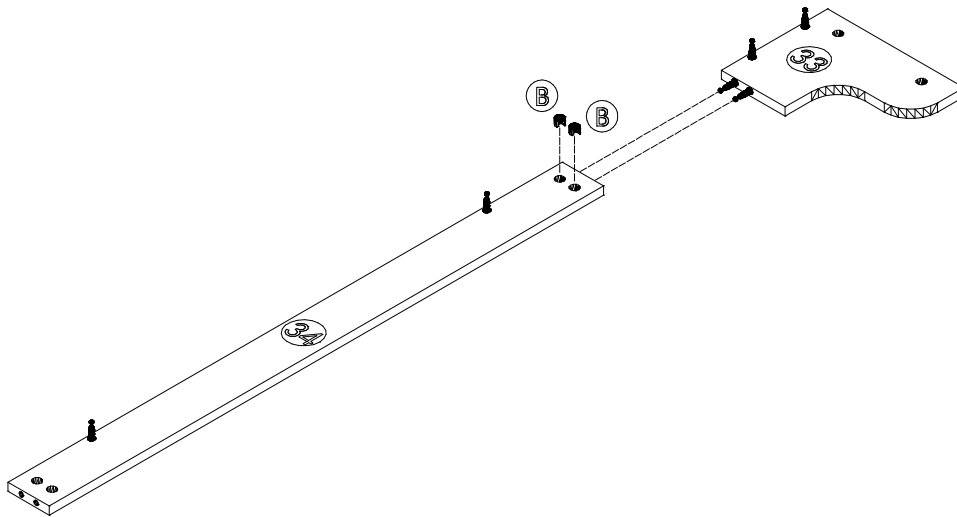
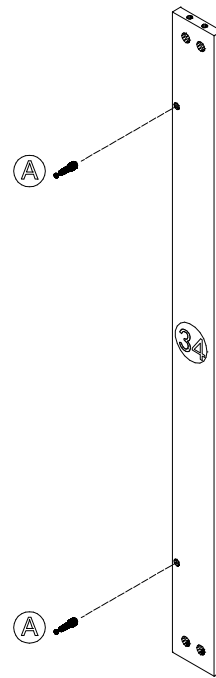
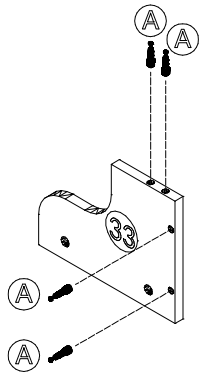


(B)



【×4】

# Installation steps: 30



A



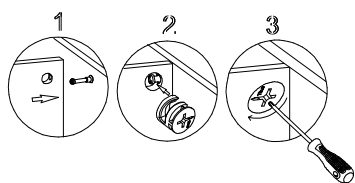
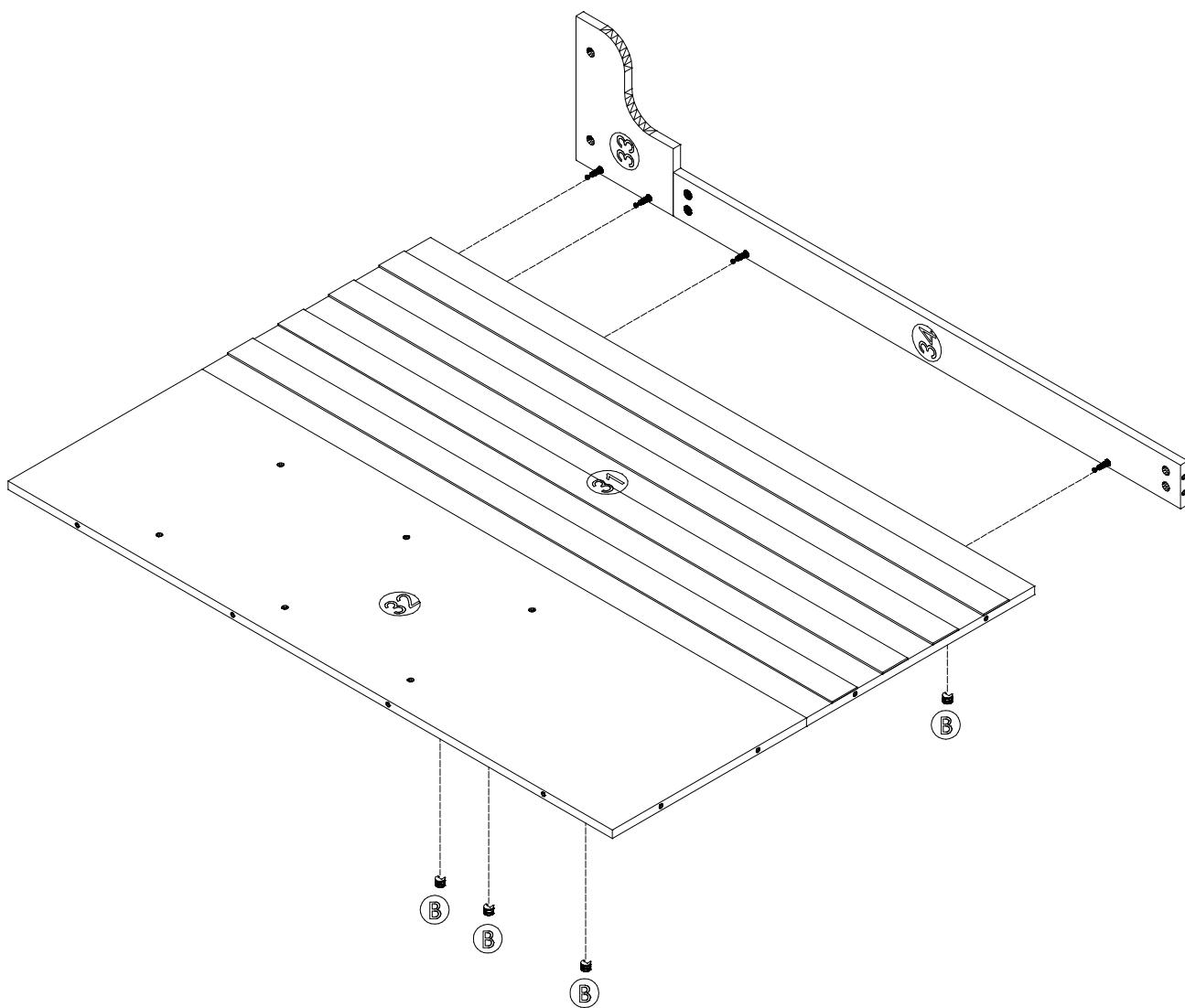
[ × 6 ]

B



[ × 2 ]

# Installation steps: 31

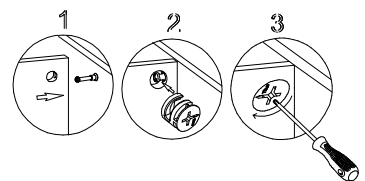
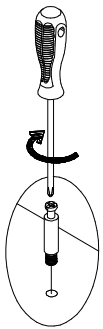
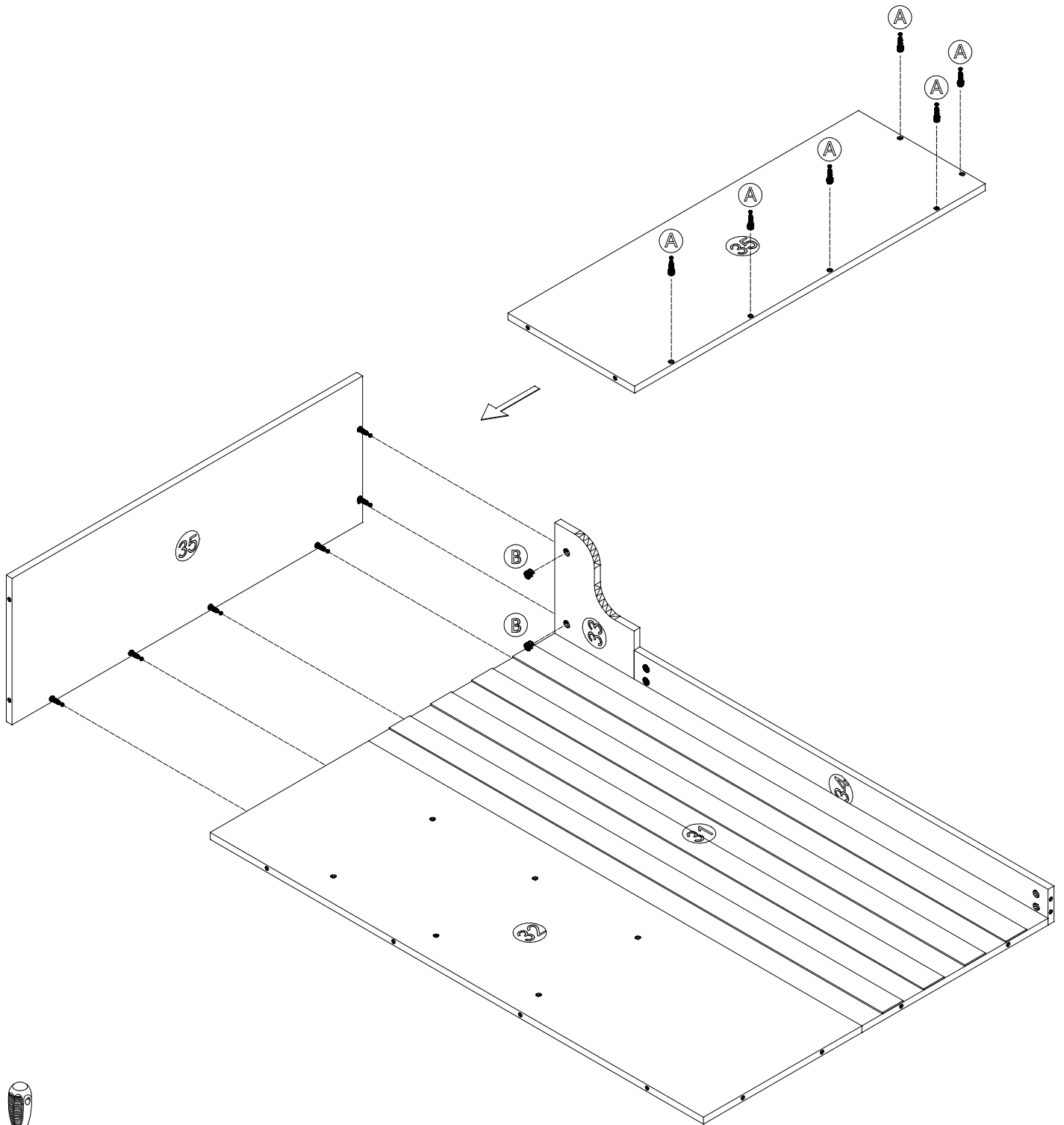


(B)

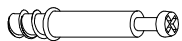


[×4]

# Installation steps: 32



A



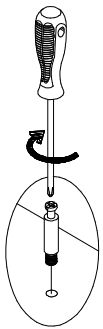
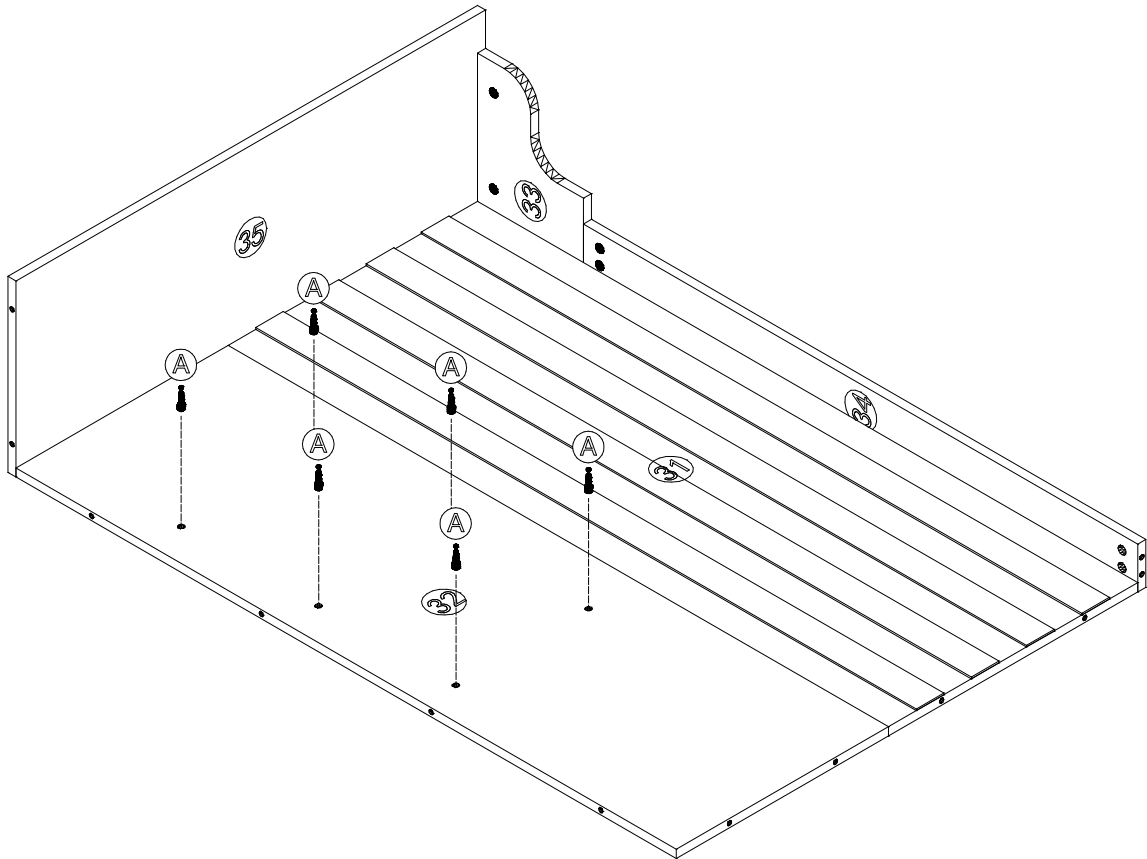
[X6]

B

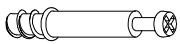


[X2]

# Installation steps: 33

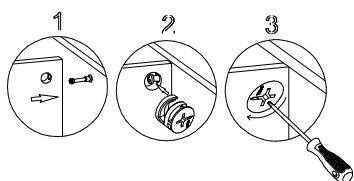
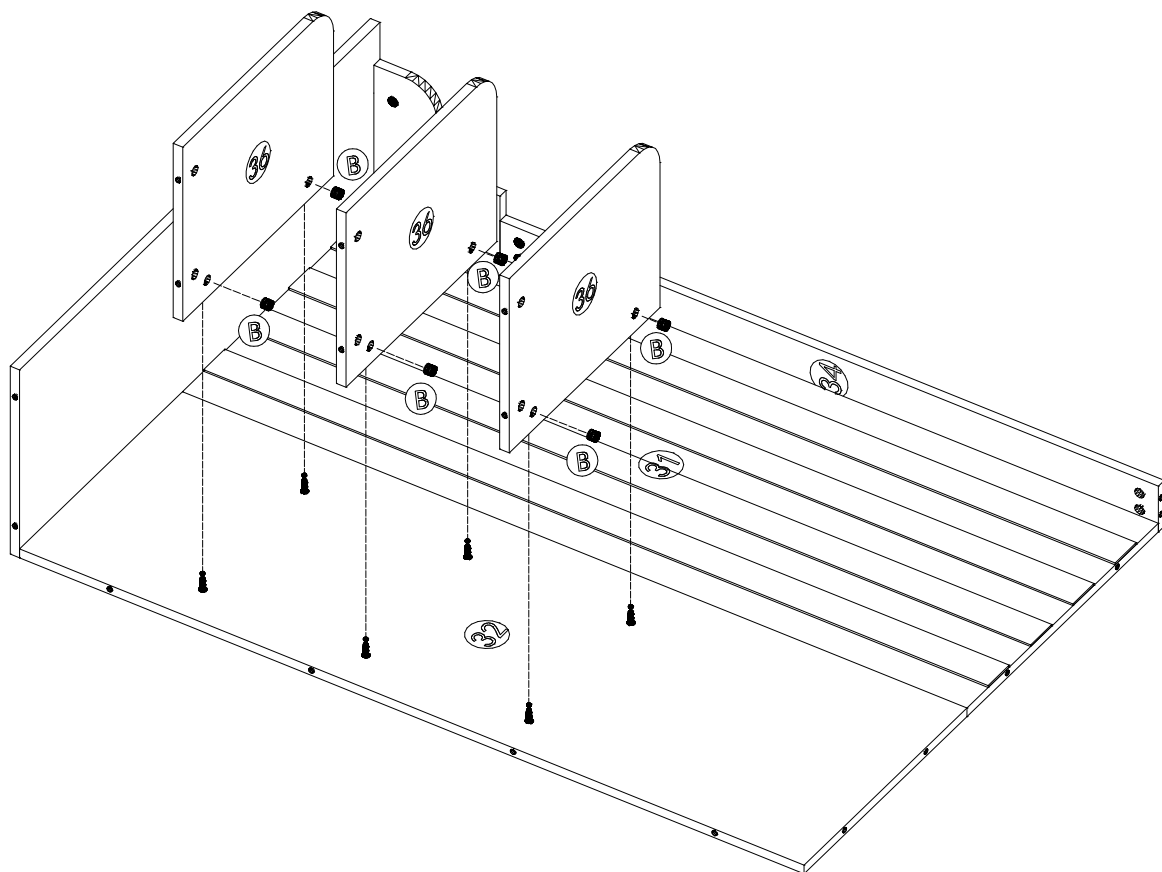


A



[ × 6 ]

# Installation steps: 34

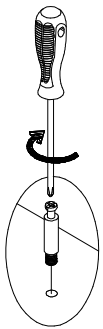
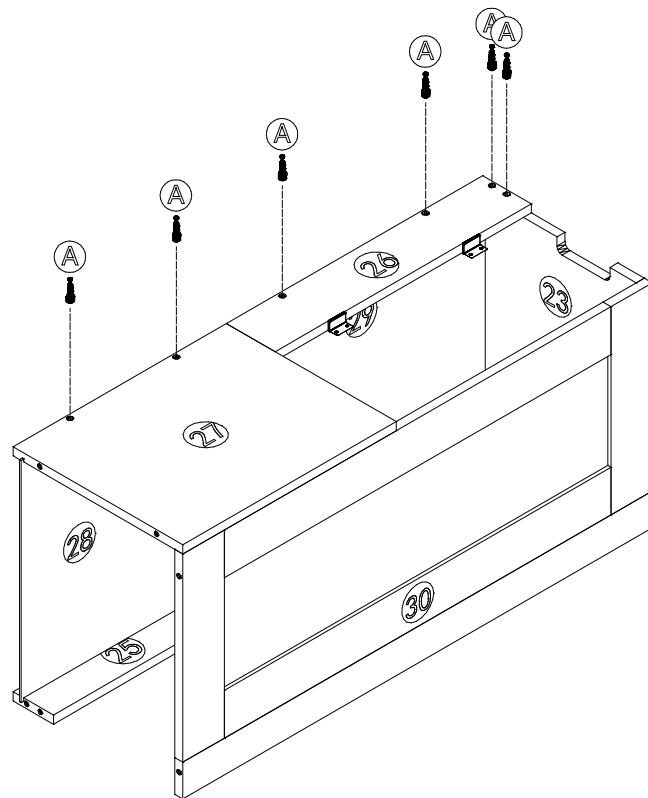


(B)

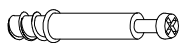


[×6]

# Installation steps: 35

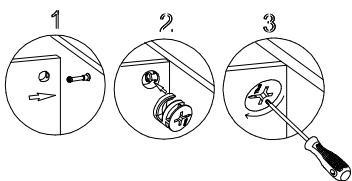
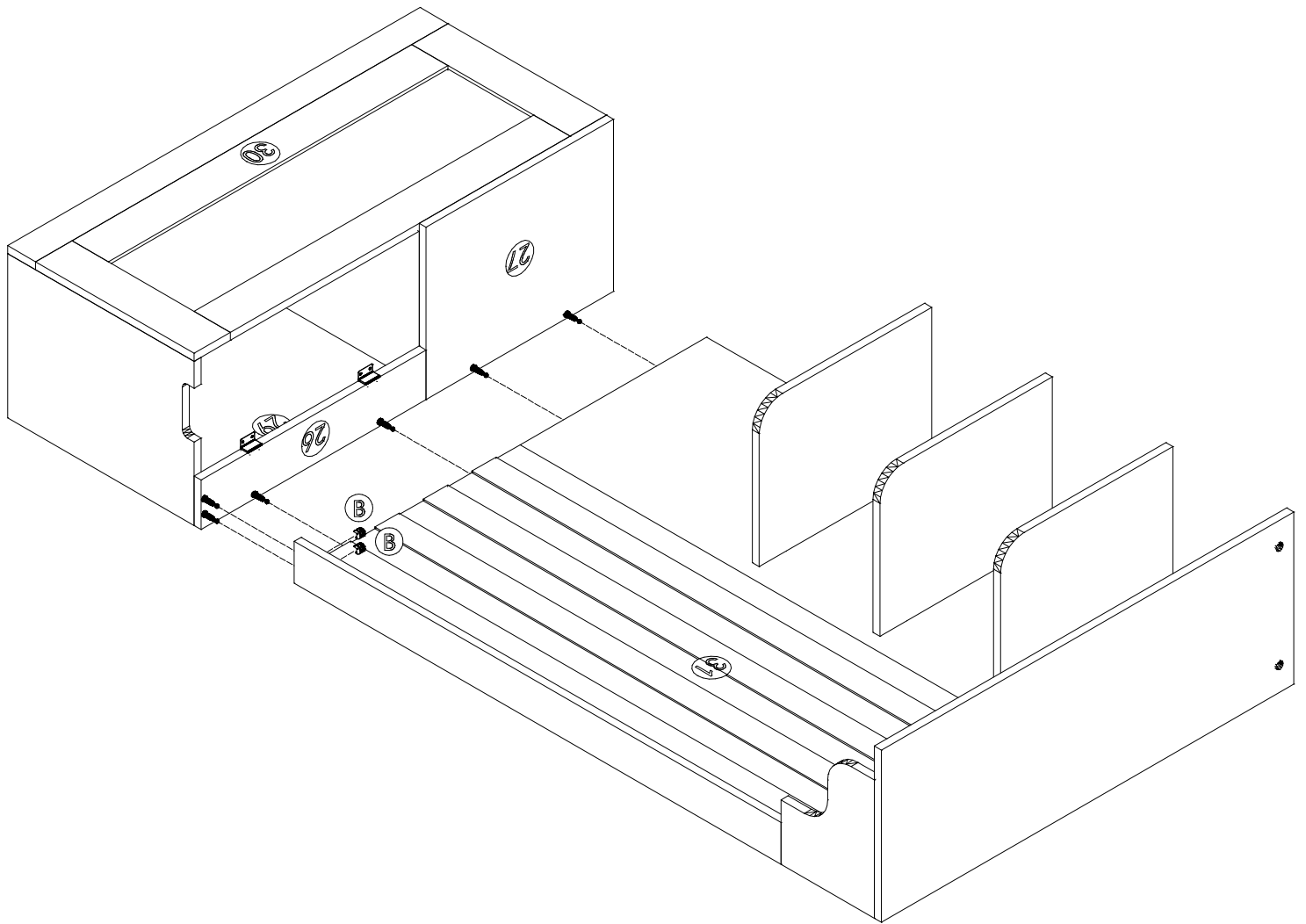


A



[ × 6 ]

# Installation steps: 36

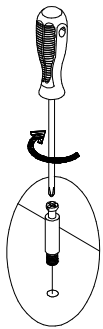
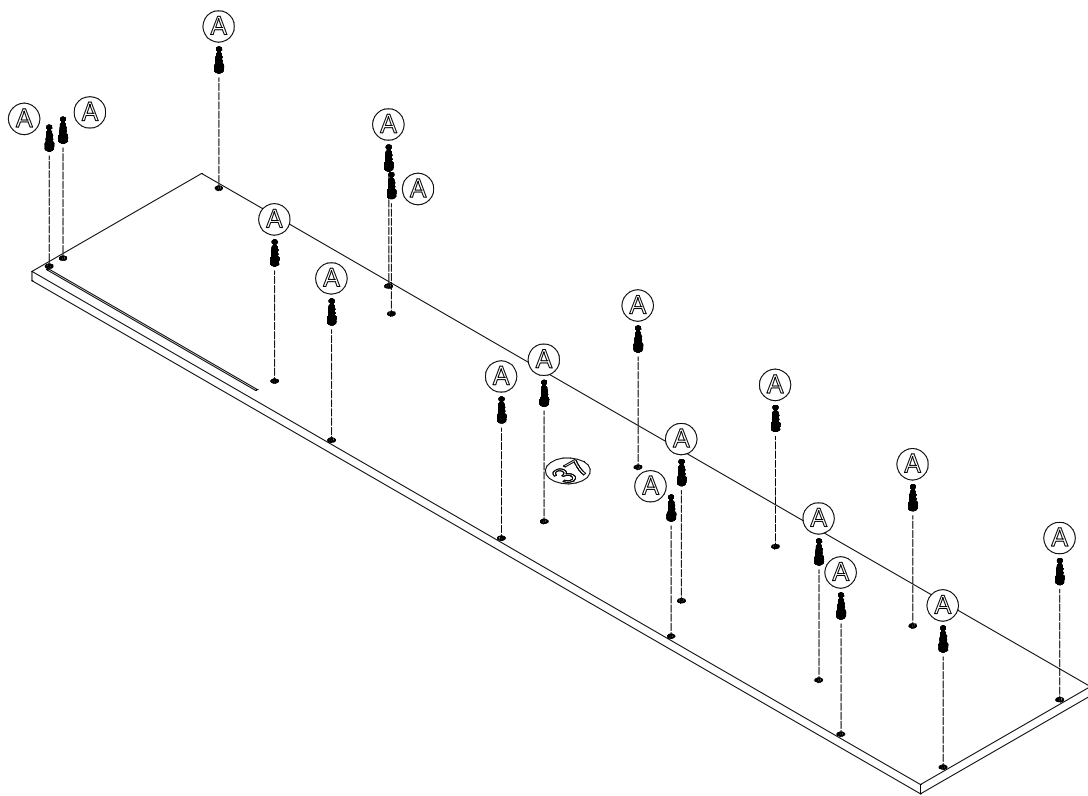


(B)

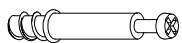


[×2]

# Installation steps: 37

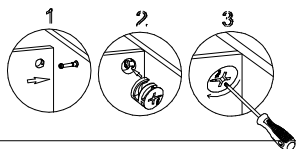
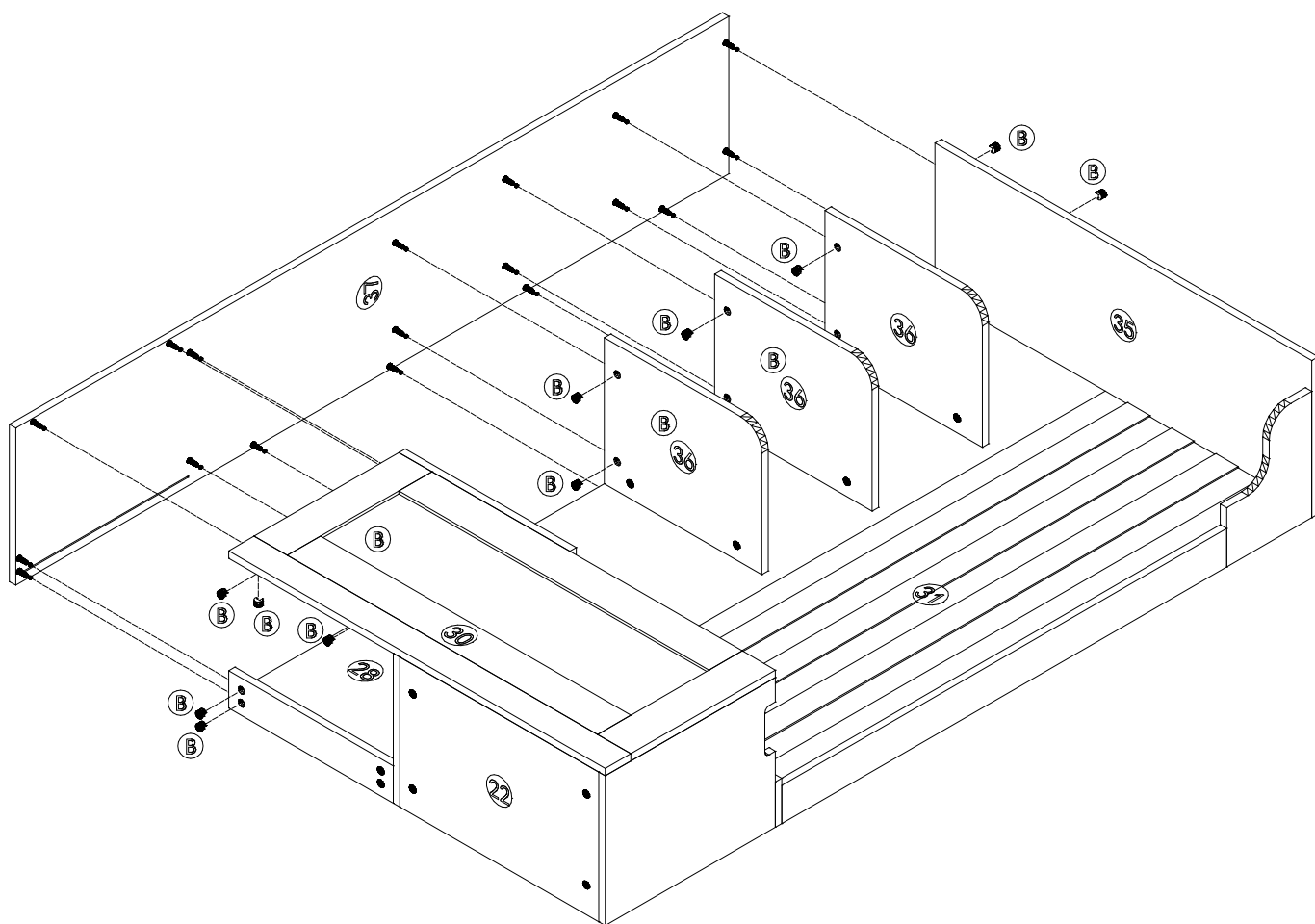


(A)



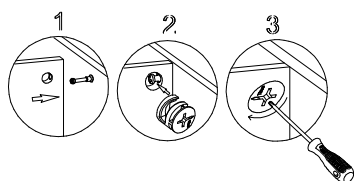
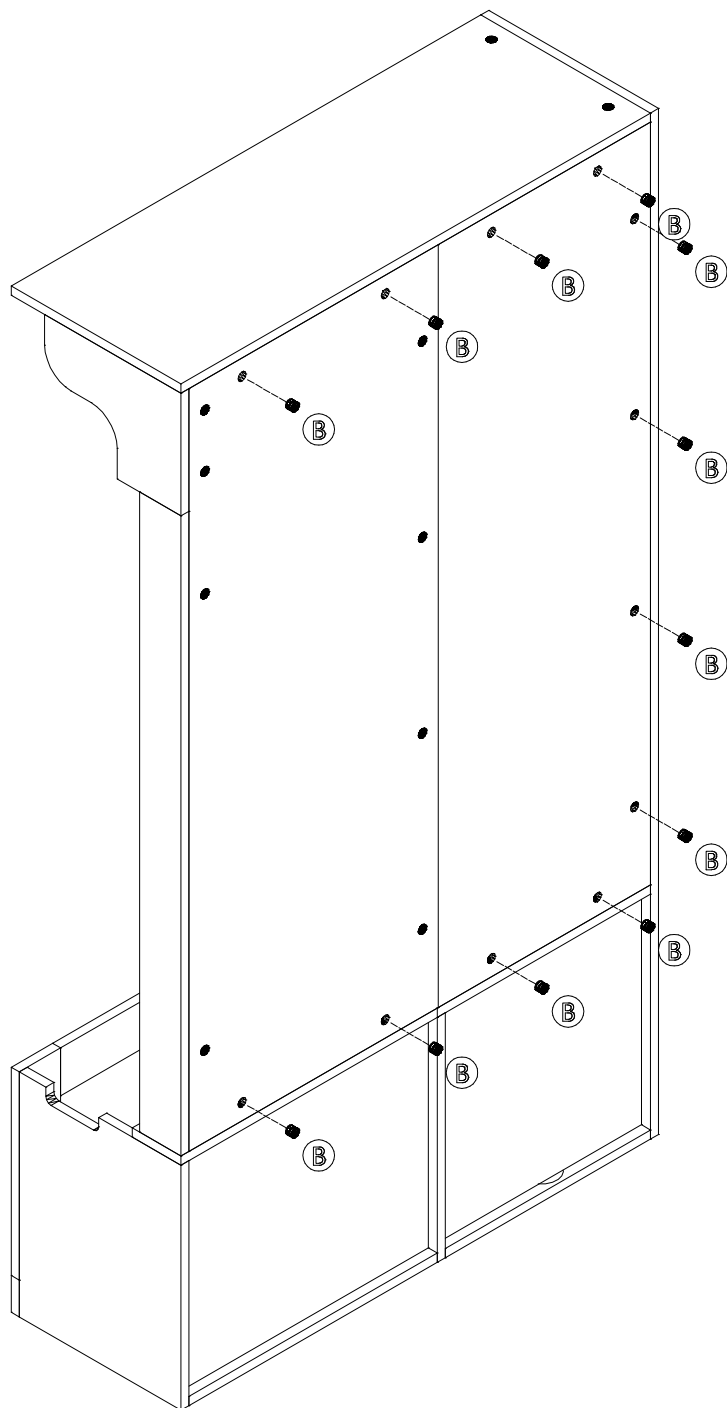
[ × 18 ]

# Installation steps: 38



(B)  【×14】

# Installation steps: 39

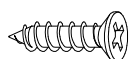
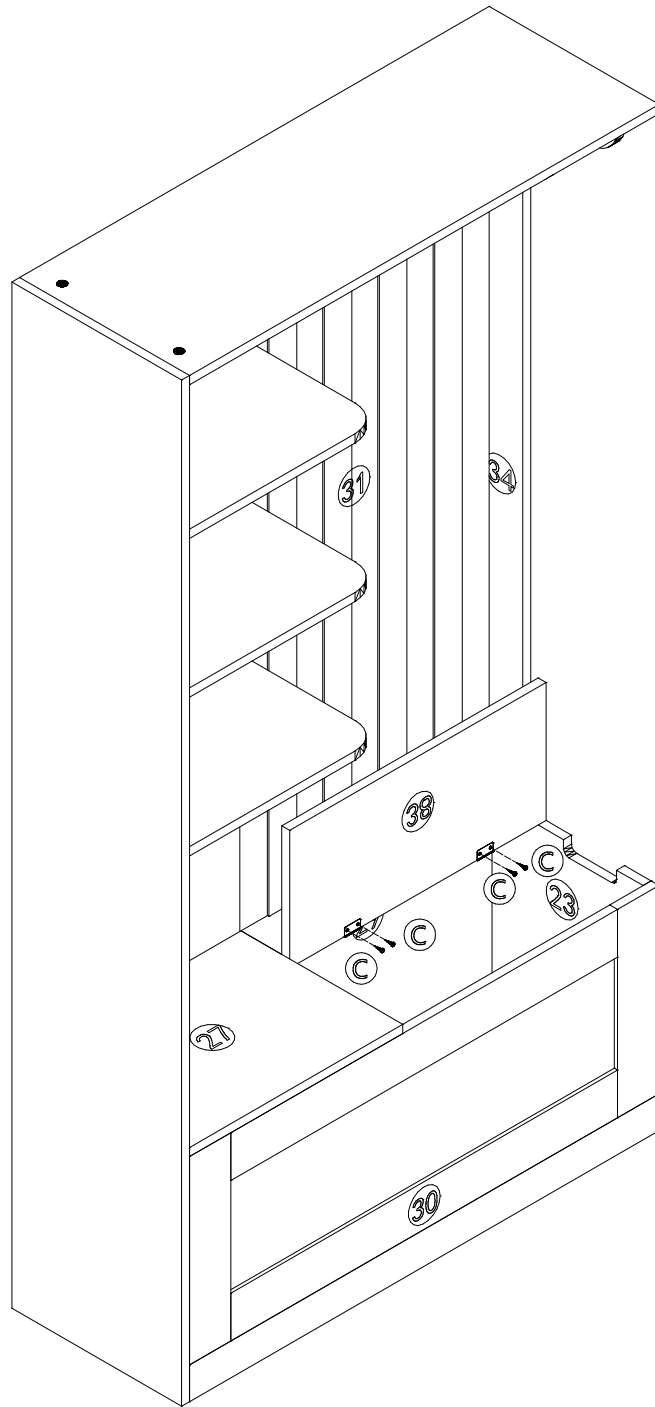


ⓑ



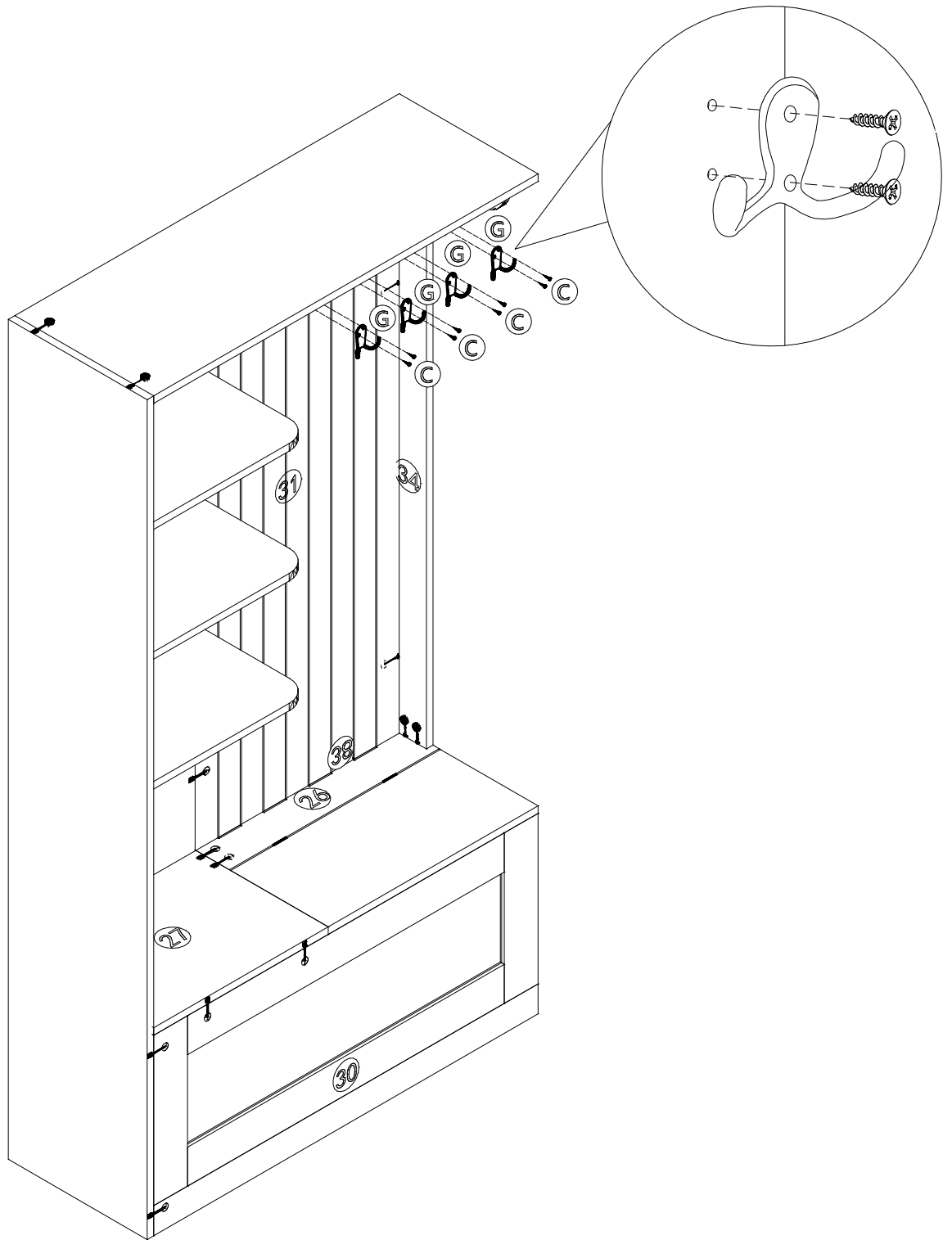
【×12】


# Installation steps: 40



[×4]

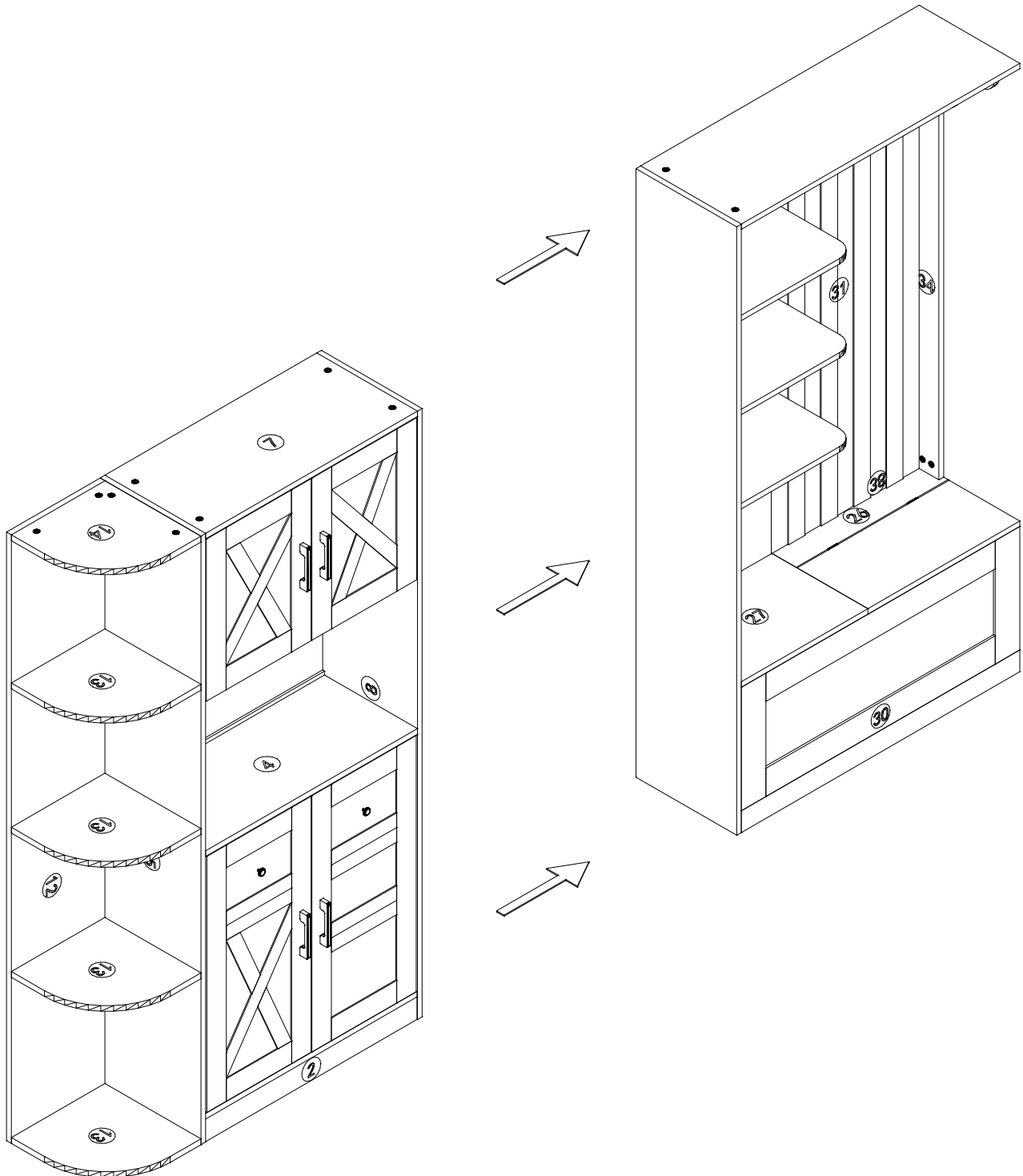
# Installation steps: 41



Ⓒ  [×8]

Ⓓ  [×4]

# Installation steps: 42



# Installation steps: 43

