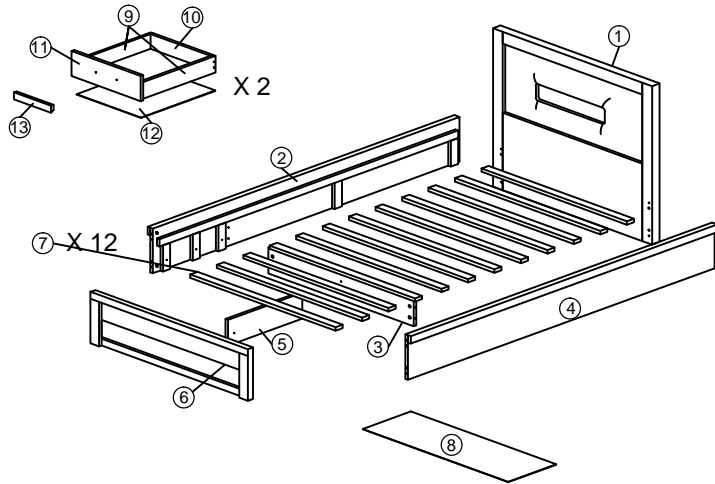


# ASSEMBLY INSTRUCTION

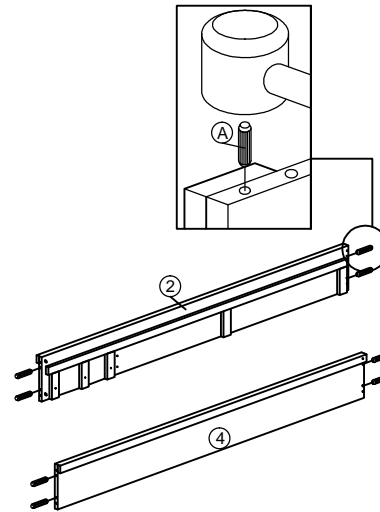
DESC: SINGER BED WITH 2 DRAWERS

HARDWARE	A	B	C	D	E	F	G	H	I	J	K	L
	WOOD DOWEL 8 X 25 8	CSK CAP WOOD M6X70MM 4	CSK CAP WOOD M6X50MM 2	CB SCREW M3.5X16MM 26	CB SCREW M4X38MM 20	MINIFIX CAP 9	MINIFIX 5654+5546 9 SETS	L KEY 1	DRAWER SLIDE 18" 2 SET	NAIL 5/8 20	L BRACKET M502 1	CB SCREW M4X32MM 8

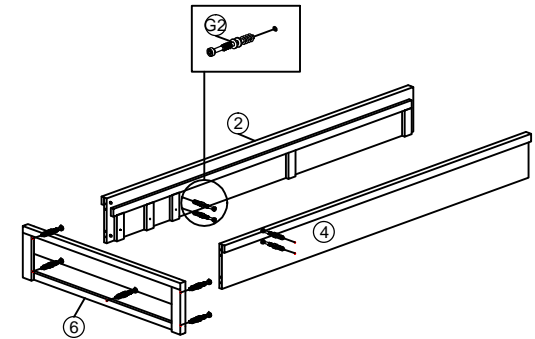
## PART LIST



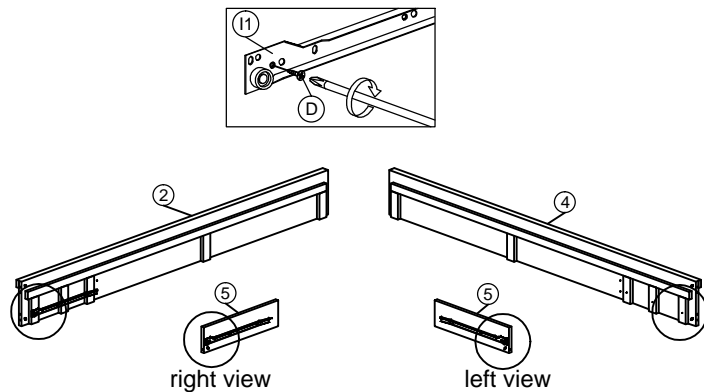
## STEP 1



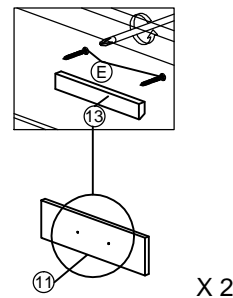
## STEP 2



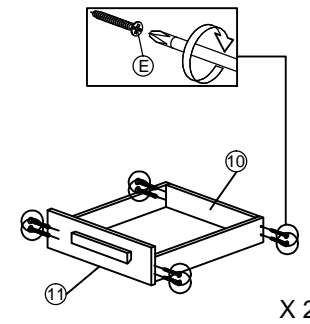
## STEP 3



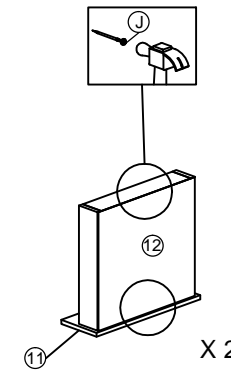
## STEP 4



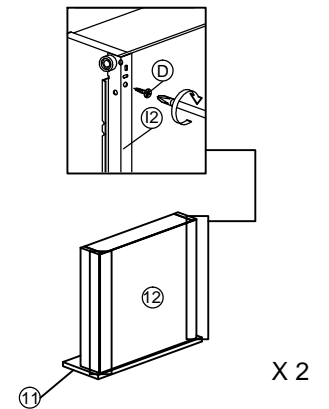
## STEP 5



## STEP 6



## STEP 7

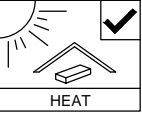




SOFT, DRY CLOTH



CHEMICAL



HEAT



KEEP DRY



HANDLE WITH CARE

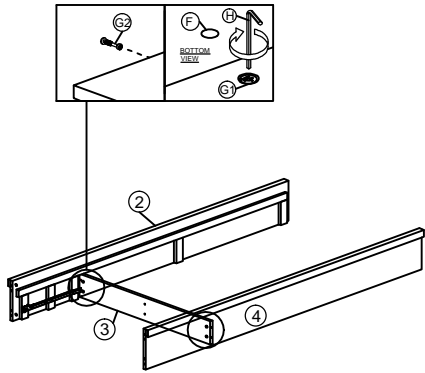


DO NOT USE KNIFE

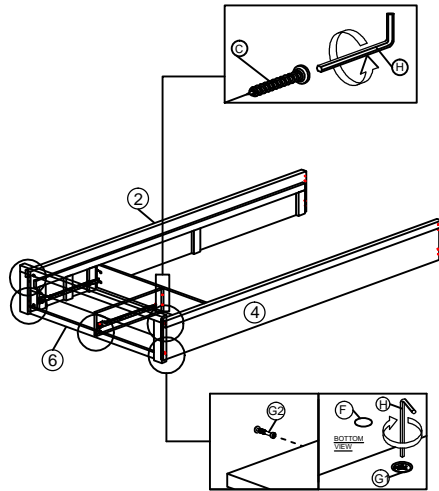
# ASSEMBLY INSTRUCTION

DESC: SINGER BED WITH 2 DRAWERS

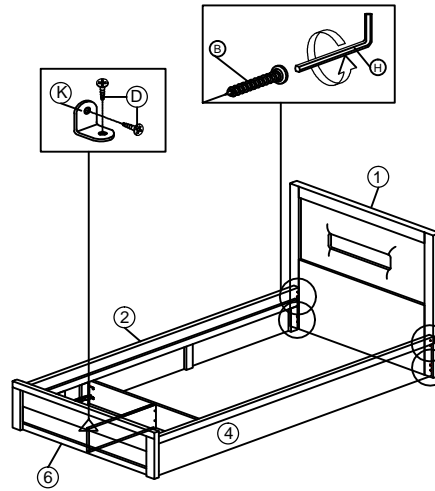
STEP 8



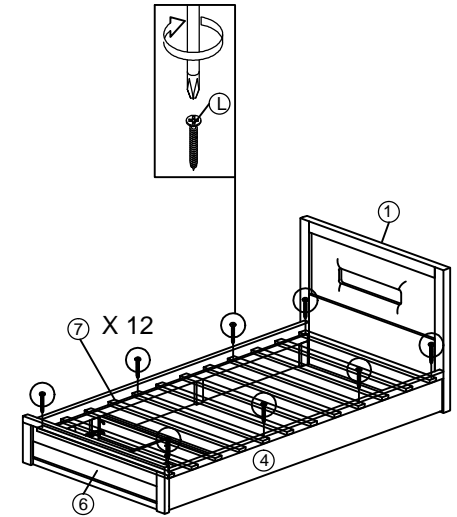
STEP 9



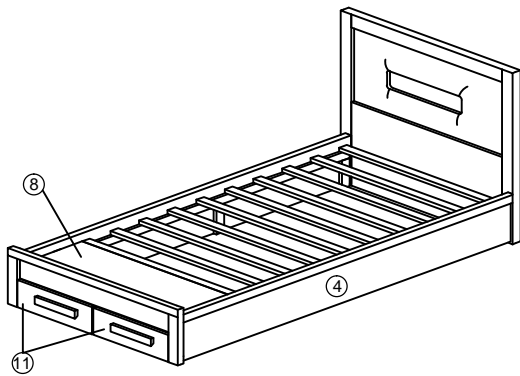
STEP 10



STEP 11



STEP 12



COMPLETED

