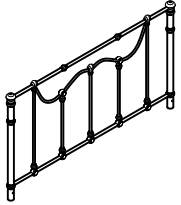


ASSEMBLY INSTRUCTION

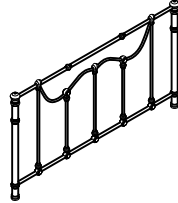
FULL SIZE METAL BED

A HEADBOARD



1pc

B FOOTBOARD



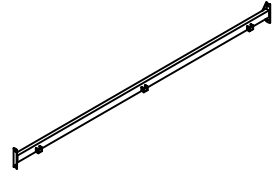
1pc

C EXTENSION LEG



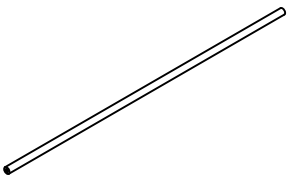
2pcs

D SIDE RAIL



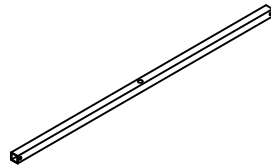
2pcs

E BAR



1pc

F SLATS



3pcs

G FINIAL



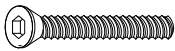
4pcs

H SUPPORT LEG



3pcs

I BOLT
1/4", 57MM



6pcs

J BOLT
1/4", 44MM



9pcs

K BOLT
1/4", 22MM



4pcs

L BOLT
1/4", 13MM



2pcs

M NUT
1/4"



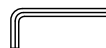
10pcs

N FLAT WASHER
Ø16mm



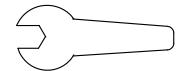
23pcs

O ALLEN WRENCH
4X4MM

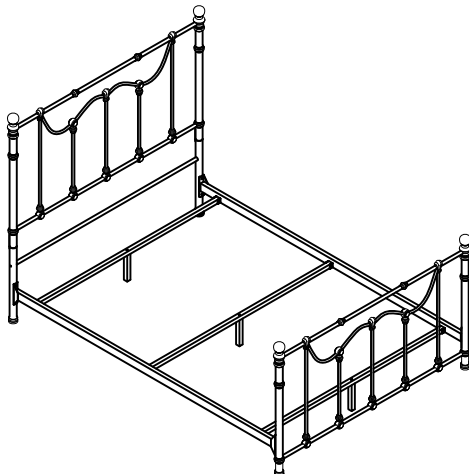


1pc

P WRENCH
11.3MM

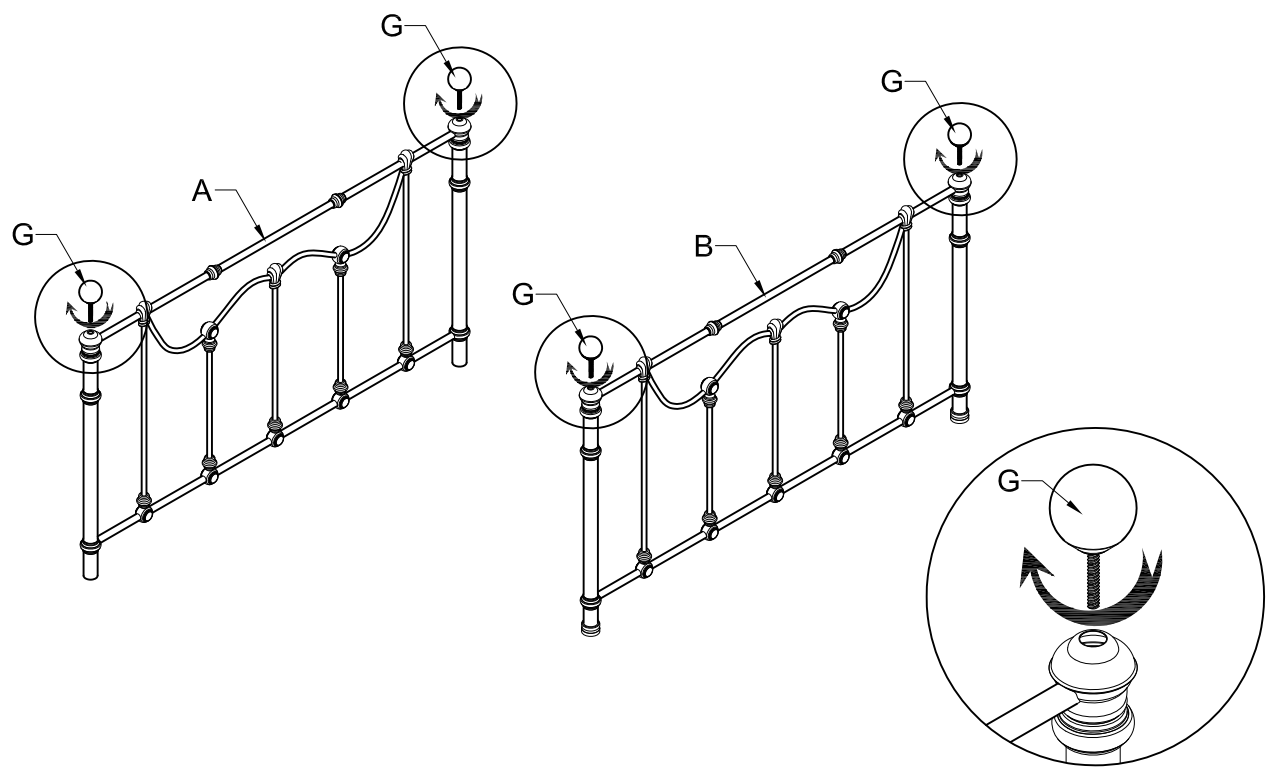


1pc

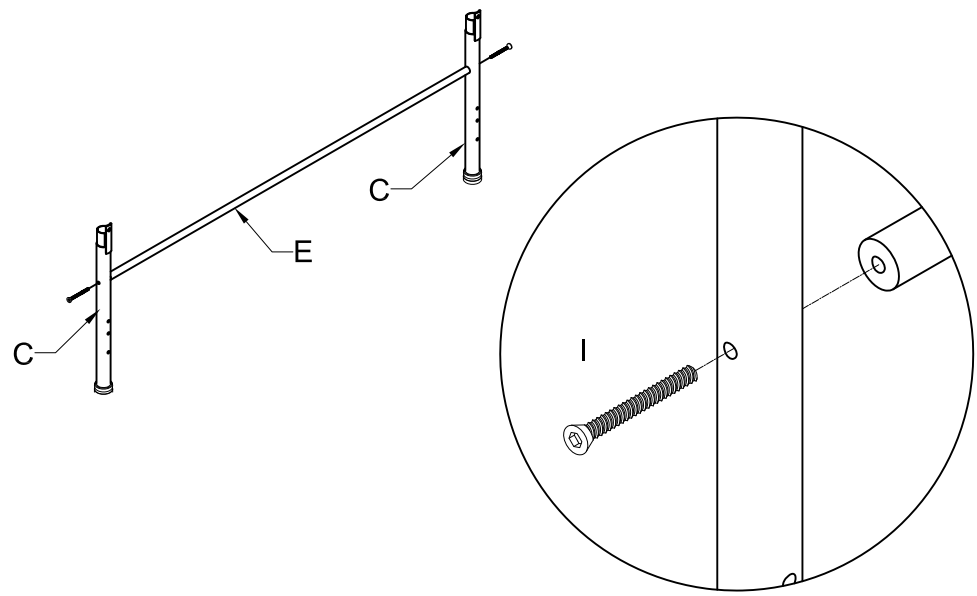
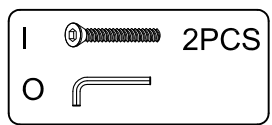


This page lists all the contents included in the box. Please take the time to identify the hardware as well as the individual components to this product. As you unpack and prepare for assembly, place the contents on a carpeted or padded area to protect them from damage.

1 Assemble the finial (G) to the headboard (A) and footboard (B).

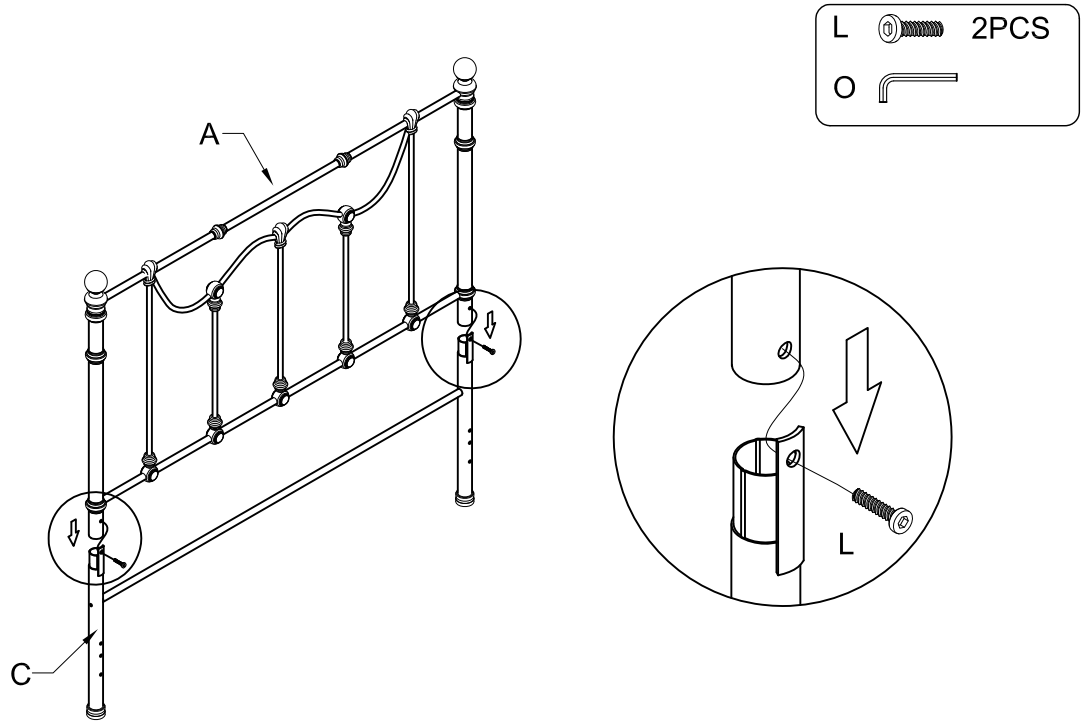


2 Assemble the bar (E) to the extension leg (C) with 2pcs bolt (I) then fastened using allen wrench (O) .

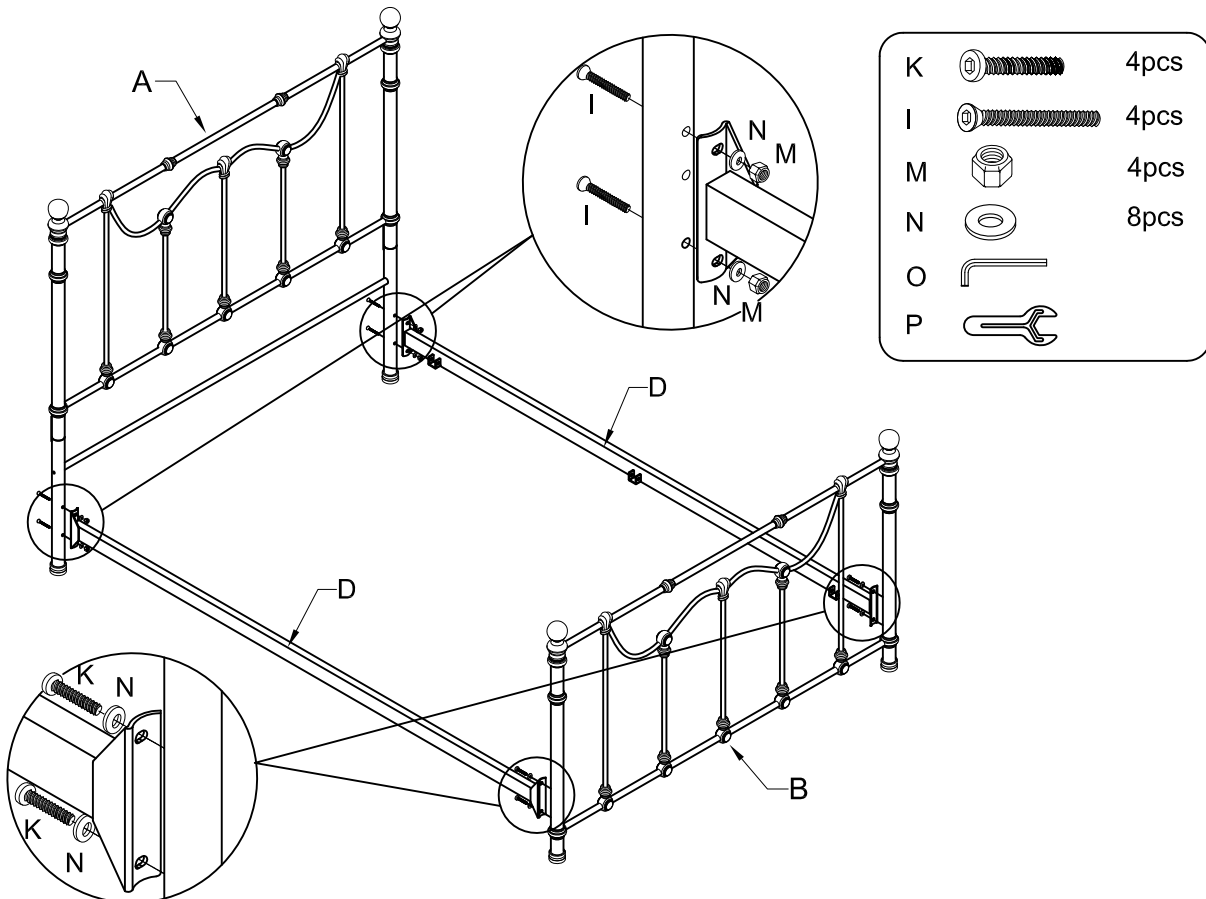


3

Assemble the extension leg (C) to the headboard (A) with 2pcs bolt (L) then fastened using allen wrench (O).



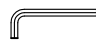
**4**

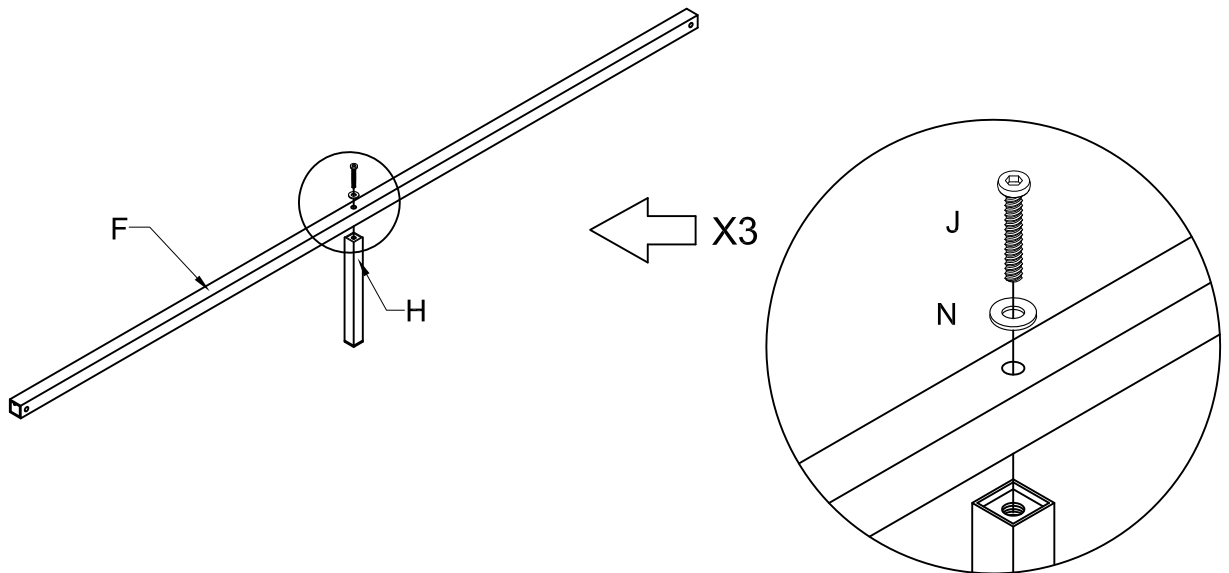
Assemble the side rail (D) to the headboard (A) with 4pcs bolt (I) and 4 pcs flat washer (N) and 4 pcs nut (M). Assemble the side rail (D) to the footboard (B) with 4pcs bolt (K) and 4 pcs flat washer (N), then fastened using allen wrench (O) and wrench (P).








5

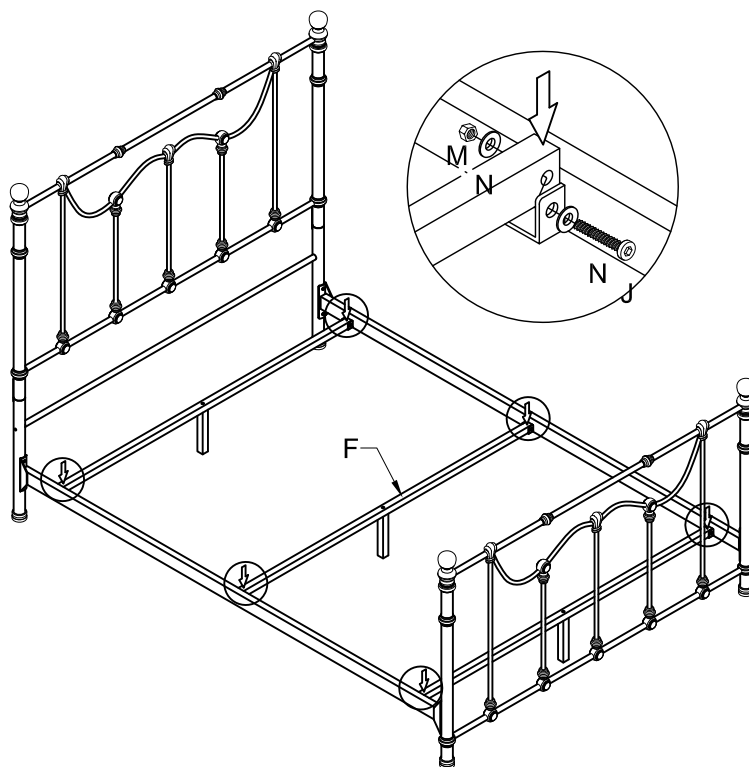
Assemble the support leg (H) to the slats (F) with 3pcs bolt (J) and 3pcs flat washer (N), then fastened using allen wrench (O).

- | | | |
|---|-------------------------------------------------------------------------------------|------|
| J |  | 3pcs |
| N |  | 3pcs |
| O |  | |

**6**

Assemble the slats (F) to the side rail (D) with 6pcs bolt (J) and 12pcs flat washer (N) and 6pcs nut (M), then fastened using allen wrench (O) and wrench (P).

- | | | |
|---|---------------------------------------------------------------------------------------|-------|
| J |  | 6pcs |
| M |  | 6pcs |
| N |  | 12pcs |
| O |  | |
| P |  | |



Cleaning & Care:

Treat surface with care. Surface is resistant to scratches but is not scratch resistant. Clean surfaces with a dry or damp soft cloth. Do not use abrasive cleaners. Hardware may loosen over time. Periodically check that all connections are tight.