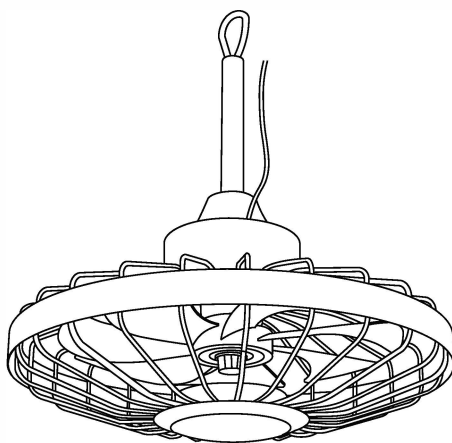


# Outdoor ceiling fan User's Manual



## Warm Tips

- About Light Memory: (Figure 1)
  - \* Turn off light (wall switch or remote controller)
  - \* Turn on the light after 10s to remain last light setting.

P.S: If turn on within 10s, light CCT will change.

- The lighting kit is replaceable.

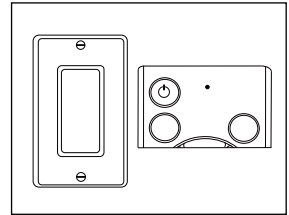


Figure 1

## WARNING!!!

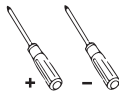
- To avoid fire, shock and serious personal injury, follow these instructions.

1. Read your user's manual and safety information before installing your new fan. Review the accompanying assembly diagrams.
2. Before servicing or cleaning the unit, switch off the power at the service panel and lock the service panel to prevent power from being switched on accidentally. If the service disconnecting means cannot be locked, securely fasten a warning device, such as a tag, to the service panel.
3. Be cautious around the fan and blades when clearing, repairing, or working near the fan. Always turn off the power to the ceiling fan before performing any servicing.
4. Do not insert anything into the fan blades while the fan is operating.
5. This appliance is not intended for use by young children or individuals with disabilities without supervision. Young children should be supervised to ensure they do not play with the appliance.
6. Before installing your ceiling fan, refer to the section on the proper method of wiring your fan. If you feel that you do not have enough wiring knowledge or experience, it is recommended to have your fan installed by a licensed electrician.

## Tools May Required



Ladder



Screwdriver



Wire Strippers



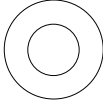




Tape



Goggles

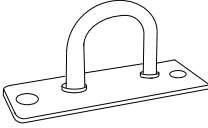
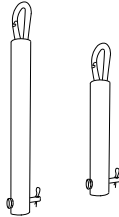

## Accessories

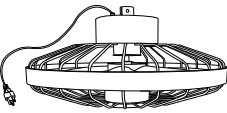
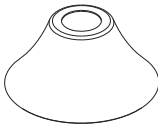
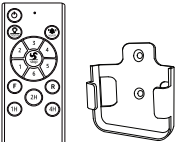
- Check to see that you have received the following parts

2  Washer	2  Self-tapping screw	2  Expansion screw	2  Hook	3  Zip ties
--	--	---	--	--

## Package Contents

- Check to see that you have received the following parts

1  Mount bracket	1  Downrods	2  Lampshade
---	--	--

1  Lamp body	1  Coupling cover	1  Remote controller
---	--	---

## Energy Saving Usage

- Ceiling fan performance and energy savings rely heavily on the proper installation and use of the ceiling fan. Here are a few tips to ensure efficient product performance.

### Choosing the Appropriate Mounting Location

Ceiling fans should be installed or mounted in the middle of the room and positioned at least 7 feet above the floor.

If the ceiling height allows, it is recommended to install the fan 7~9 feet above the floor to achieve optimal airflow.

### Turn Off When Not in the Room

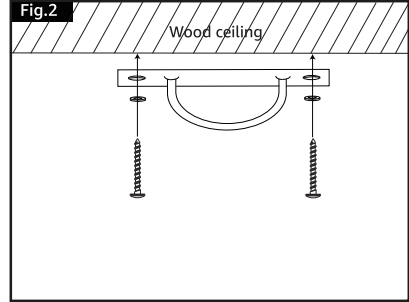
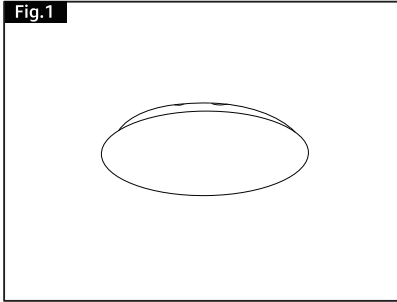
If the room is unoccupied, turn off the ceiling fan to save energy.

### Using the Ceiling Fan Year Round

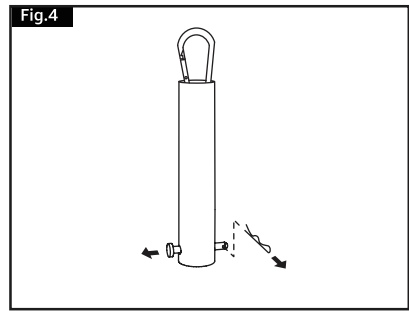
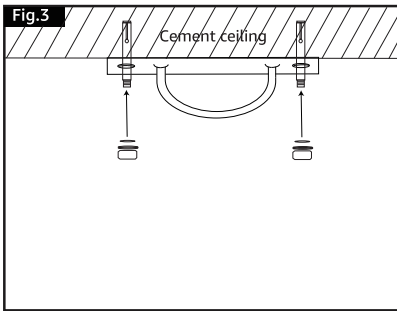
Summer Season: Use the ceiling fan in the counterclockwise direction. The airflow created by the ceiling fan produces a wind-chill effect, making you feel cooler. Select a fan speed that provides a comfortable breeze; lower speeds consume less energy.

Winter Season: Reverse the motor and operate the ceiling fan at a low speed in the clockwise direction. This produces a gentle updraft, which pushes the warm air near the ceiling down into the occupied space. Remember to adjust your thermostat when using your ceiling fan. This simple step can lead to additional energy and cost savings.

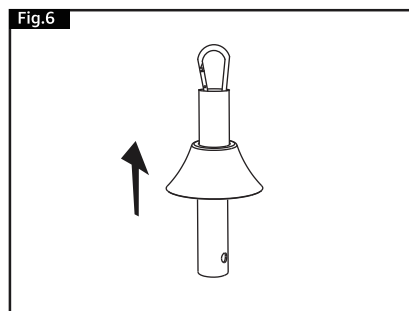
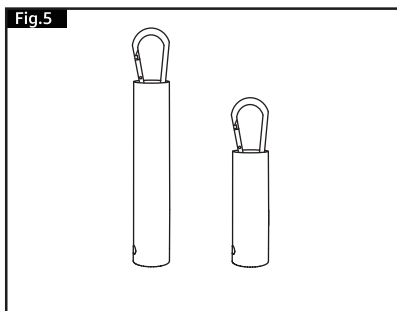
# Installation



- Carefully take out the lampshade from box to a stable palce, it is fragile.
- Use self-tapping screws to drive into the wooden ceiling.

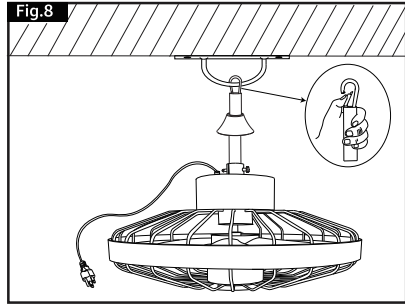
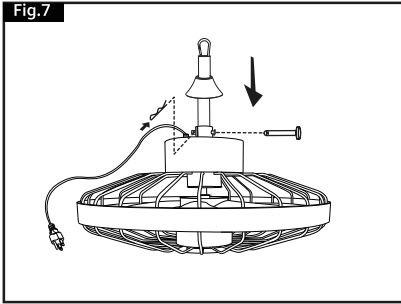


- Drill a hole on the cement ceiling, then use expansion screws to secure.
- Remove the downrod pin from the downrod assembly.

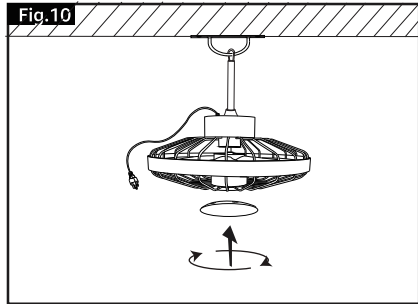
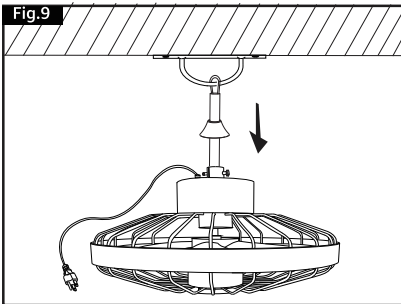


- Choose a downrod for the suspended installation.
- Install the coupling cover onto the downrod.

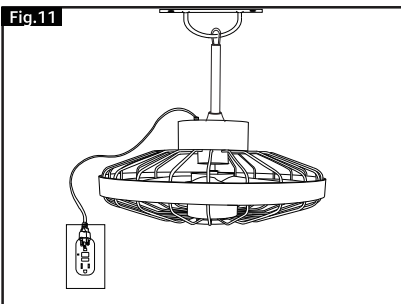
# Installation



- Assemble the downrods and yoke as shown in the diagram, then insert the downrod pin, lock it with the downrod clip, and finally tighten the two screws on the yoke.
- Suspend the lamp on the Mount bracket.

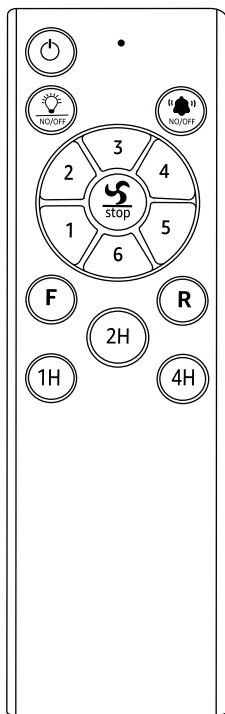


- Move the Coupling Cover downwards.
- Screw the lampshade to the bottom plate.



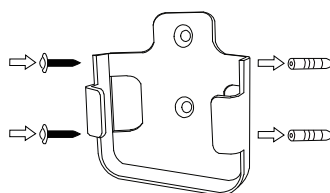
- Plug in and operate with remote controller.

# Remote Control



	Light & fan all off
1-6	Fan speed
	Fan off
F	Forward
R	Reverse
	Sound on/off
	Light on/off
1H	Fan stop & light off after 1 hour.
2H	Fan stop & light off after 2 hours.
4H	Fan stop & light off after 4 hours.

Attach wall plate using the two screws provided.



To operate the fan, please install 2 AAA batteries (included) in the handheld remote transmitter. If not used for extended periods of time, remove the batteries to prevent damage to the transmitter. Store the remote away from excessive temperatures and humidity.

Pairing method: (single/multiple fans)

The remote control transmitter can be used to control multiple receivers.

1. For the ceiling fan you want to pair, turn the main power switch off for at least 60 seconds.

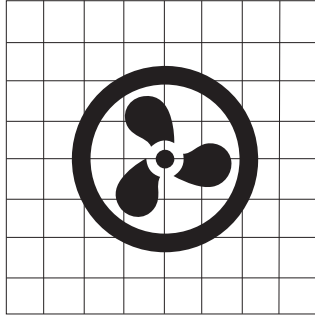
2. Turn on the main power switch of the ceiling fan, then press and hold **2H** button .

3. When you hear a beep or light flash, release **2H** button, pairing completed.

If the pairing process is unsuccessful, please repeat the above steps.

# Installation Recommended

Room Size:



UP TO 8.5 ft x 8.5 ft

# Troubleshooting

PROBLEM	SUGGESTED REMEDY
If Fan Does Not Start	<ol style="list-style-type: none"><li>1. Check if the remote controller is paired and battery is working.</li><li>2. Check the outlet is in good condition.</li></ol>
If The Fan Sounds Noisy	<ol style="list-style-type: none"><li>1. Make sure all screws in the yoke are snug.</li><li>2. Allow a "break-in" period of 24 hours. Most noises associated with a new fan will disappear after this period.</li><li>3. Check if the fan blades are in contact with the something.</li></ol>
If Fan Wobbles	<ol style="list-style-type: none"><li>1. Make sure that hook is scured.</li><li>2. Make sure all screws in the yoke are snug.</li></ol>
If Light Does Not Work	<ol style="list-style-type: none"><li>1. Check for loose wiring of the LED board.</li></ol>
Remote Does Not Work	<ol style="list-style-type: none"><li>1. Battery out of power or not installed correctly; change new AAA battery and ensure well installed.</li><li>2. Re-pairing the remotor by Long-pressing "2H" within 5s after plug in the outlet to pair.</li></ol>

# Customer Service :

## 30-Days Full Refund Guarantee

If you are not completely satisfied or the item isn't what you expected, just tell us within 30 days. We will give you a full refund unconditionally.

## Friendly Reminder

It's better to contact us than leaving a negative shopping experience. Nothing is more important than your satisfaction, and we will do our best to serve you.

## Quick Response within 12 Hours

You can contact us without any hesitation at any time of the day, and we will reply to you within 12 hours. ( It would be appreciated if you could provide us with a video or pictures, if available)

## 2-year Warranty

Your fan light comes with a two-year warranty. If a malfunction occurs due to product quality issues, we will assist in diagnosing the problem and provide replacement parts free of charge to ensure your fan light resumes normal operation.