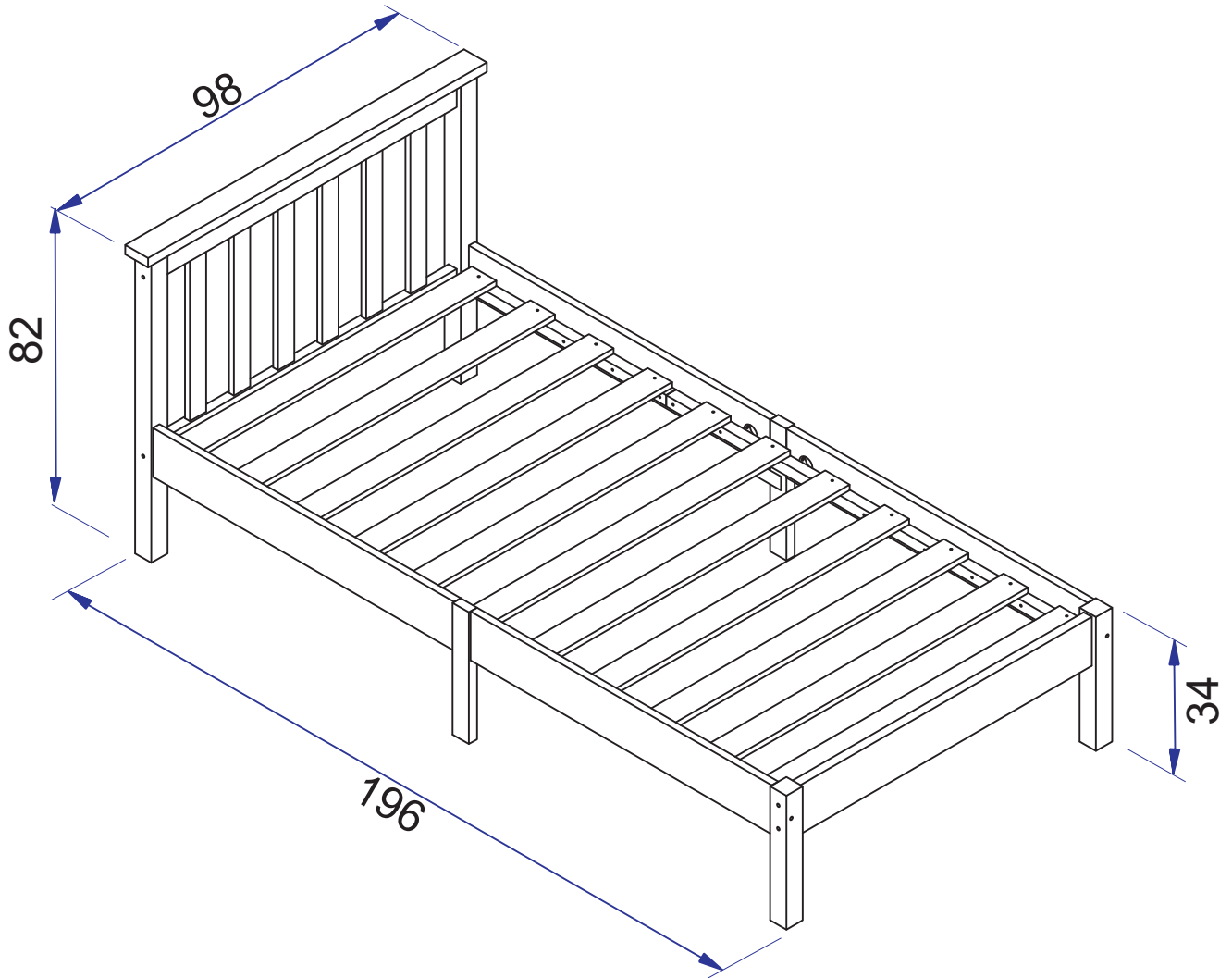


Low Foot End Wooden Bed

Assembly Instructions – Please keep for future reference



Dimensions	No. people	Assembly Time
Width: 196 cm		40 mins (approx.)
Depth: 98 cm		
Height: 82 cm		

Important

- PLEASE READ THESE INSTRUCTIONS FULLY BEFORE STARTING ASSEMBLY
- PLEASE DO NOT THROW THE PACKAGING AWAY UNTIL YOU ARE SATISFIED WITH PURCHASE, GOODS NEED TO BE RETURNED IN ORIGINAL PACKAGING.

Safety and Care Advice

Important

- PLEASE READ THESE INSTRUCTIONS FULLY BEFORE STARTING ASSEMBLY
- PLEASE DO NOT THROW THE PACKAGING AWAY UNTIL YOU ARE SATISFIED WITH PURCHASE, GOODS NEED TO BE RETURNED IN ORIGINAL PACKAGING.

- Check you have all the components and tools listed on pages 4 and 5.
- Remove all fittings from the plastic bags and separate them into their groups.
- Keep children and animals away from the work area, small parts could choke if swallowed.
- Make sure you have enough space to lay out the parts before starting.
- Do not stand or put weight on the product, this could cause damage.
- Assemble the item as close to its final position (in the same room) as possible.
- Assemble on a soft, level surface to avoid damaging the unit or your floor.
- We do not recommend the use of power drill/drivers for inserting screws, as this could damage the unit. Only use hand screwdrivers.
- Dispose of all packaging carefully and responsibly.



Care and Maintenance

- Only clean using a damp cloth and mild detergent, do not use bleach or abrasive cleaners.
- From time to time check that there are no loose screws on this unit.
- This product should not be discarded with household waste. Take to your local authority waste disposal centre.

If kept outside please ensure in the winter months that the product is correctly covered or put away into a dry environment to prevent corrosion, weathering or damage.

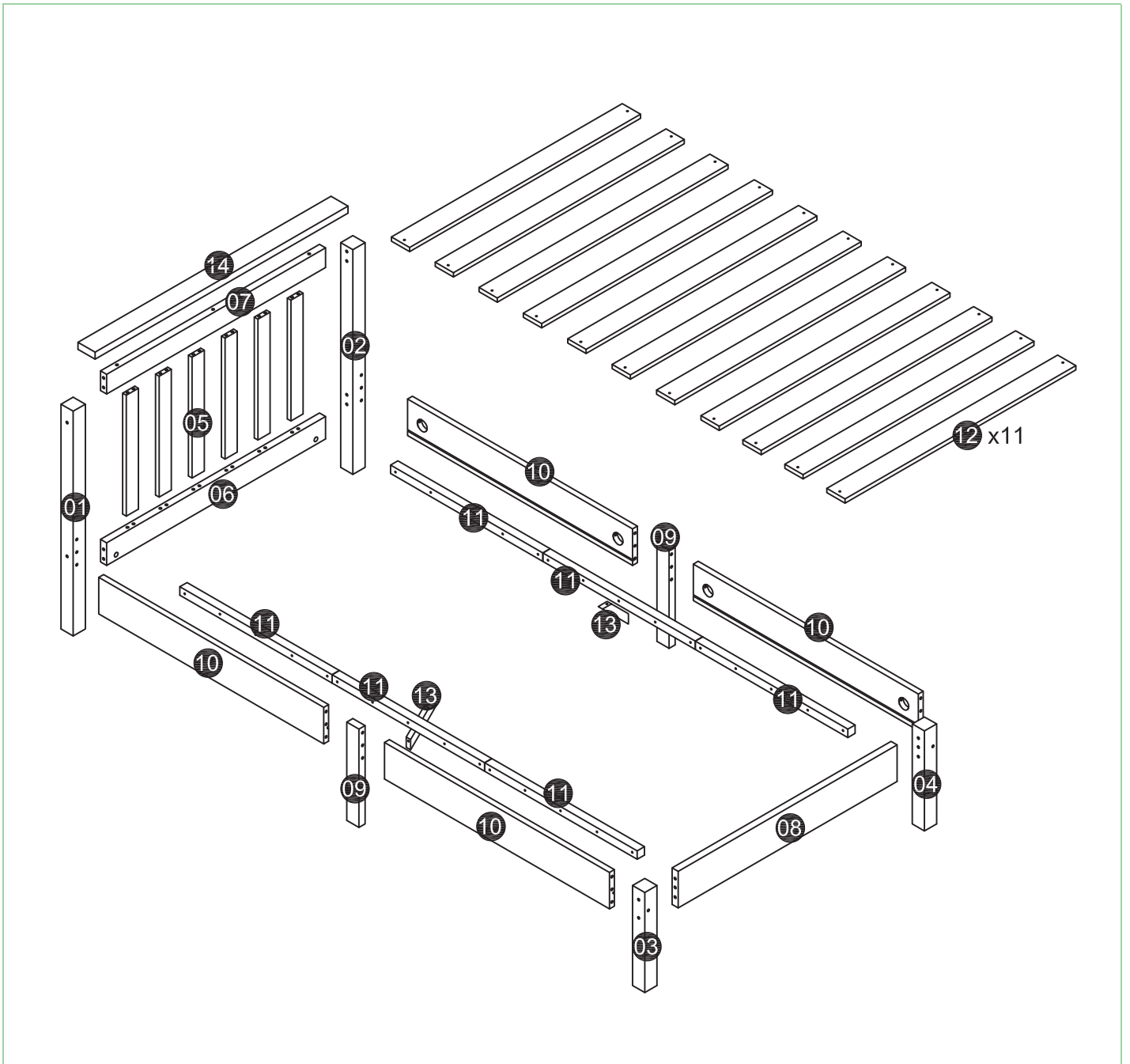
If your product is not designed to be outside, we recommend that it is always kept indoors in a dry environment.

Components - Panels

Please check that you have all the components listed below before constructing your item.

Part No	Description	Qty	Size (mm)	Thickness (mm)
1	HIGH LEG	1	800x40	30
2	HIGH LEG	1	800x40	30
3	SHORT LEG	1	340x40	30
4	SHORT LEG	1	340x40	30
5	HEADBOARD VERTICAL BAR	6	450x45	15
6	HEADBOARD	1	880x45	18
7	HEADBOARD	1	880x45	18
8	FOOTBOARD	1	880x90	18
9	CENTRAL SIDE RAIL SUPPORT	2	340x60	20
10	SIDE RAIL	4	920x90	18
11	SLAT SUPPORT	6	630x25	20
12	SLATS	11	900x60	13
13	CORNER SUPPORT	2	160x45	18
14	HEADBOARD STRIP	1	980x45	18

Exploded View

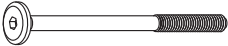


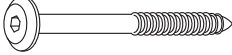
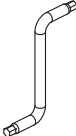

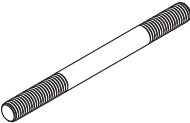

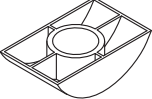
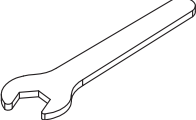
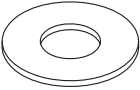
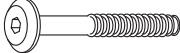


Important – Please read these instructions fully before starting assembly

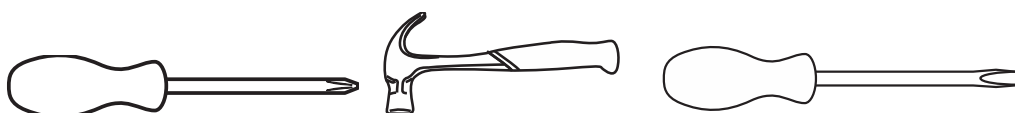
Components - Fixings

Please check that you have all the components listed below before constructing your item.

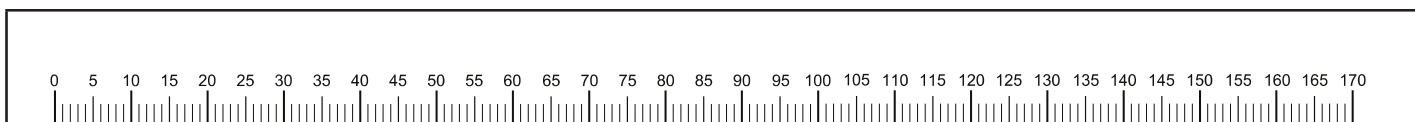
Note: The quantities below are the correct amount to complete the assembly. In some cases more fittings may be supplied than are required.

(A)	Bolt x10 M6 x80mm 	(B)	Nut x6 	(C)	Wooden dowel x46 Ø8 x30mm 	(D)	Screw x2 Ø6 x90mm 
(E)	Allen key x1 	(F)	Screw x56 Ø4 x30mm 	(H)	Bolt bar x2 	(I)	Nut x8 
(J)	Half moon washer x8 	(K)	Spanner x1 	(L)	Washer x8 	(M)	Screw x3 Ø6 x55mm 

Tools Required



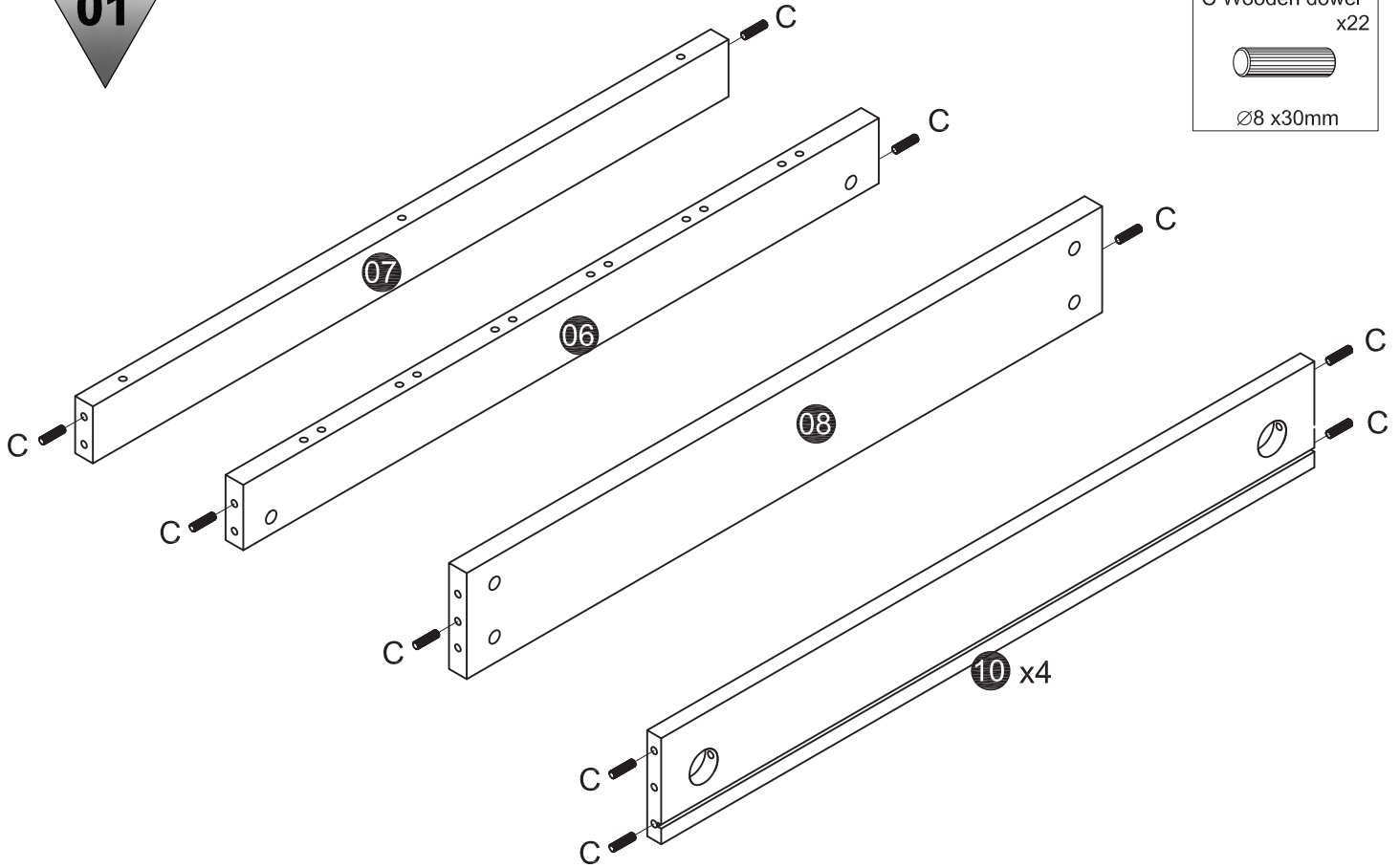
Ruler – Use this to measure your screws (mm)



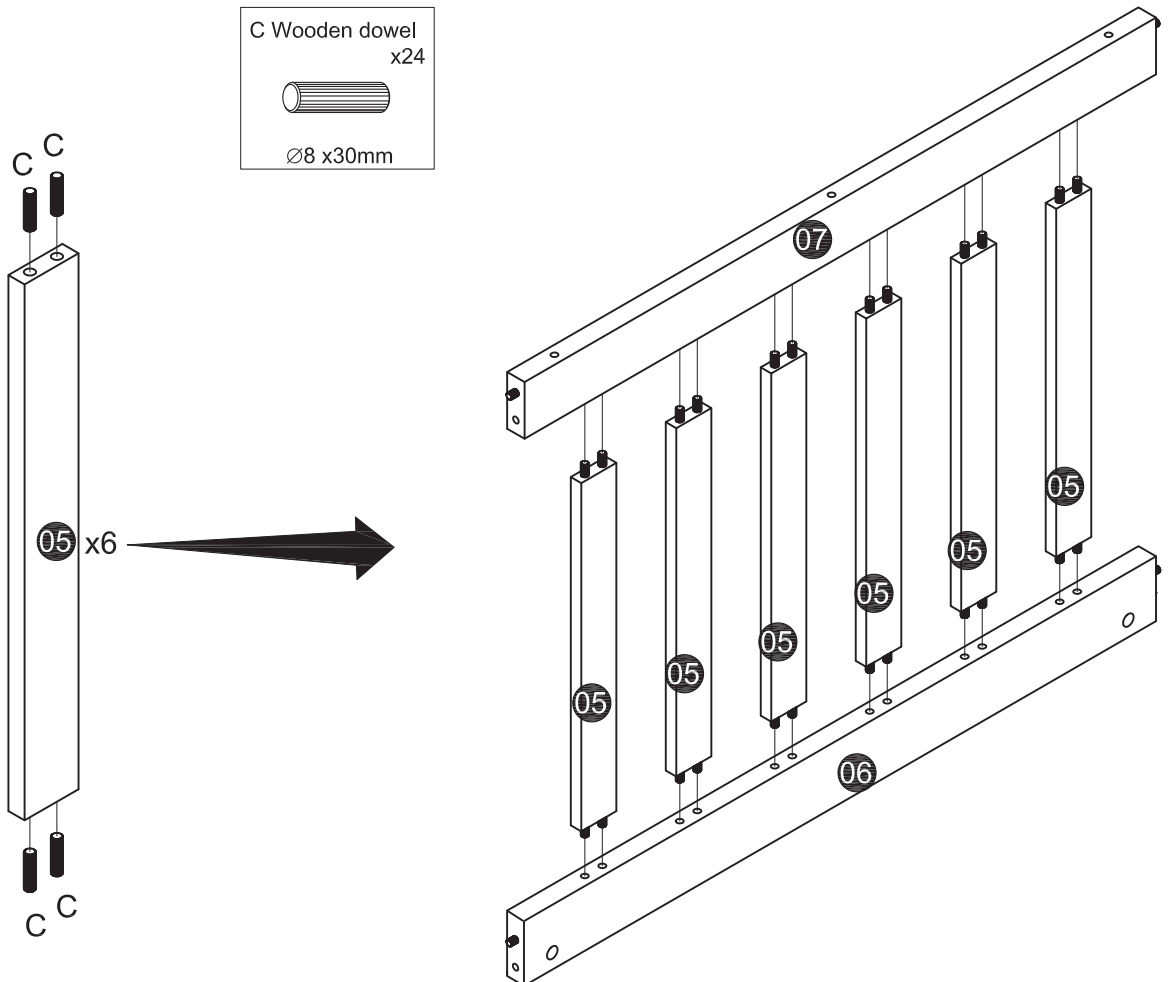
Important – Please read these instructions fully before starting assembly

Assembly Instructions



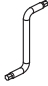

01

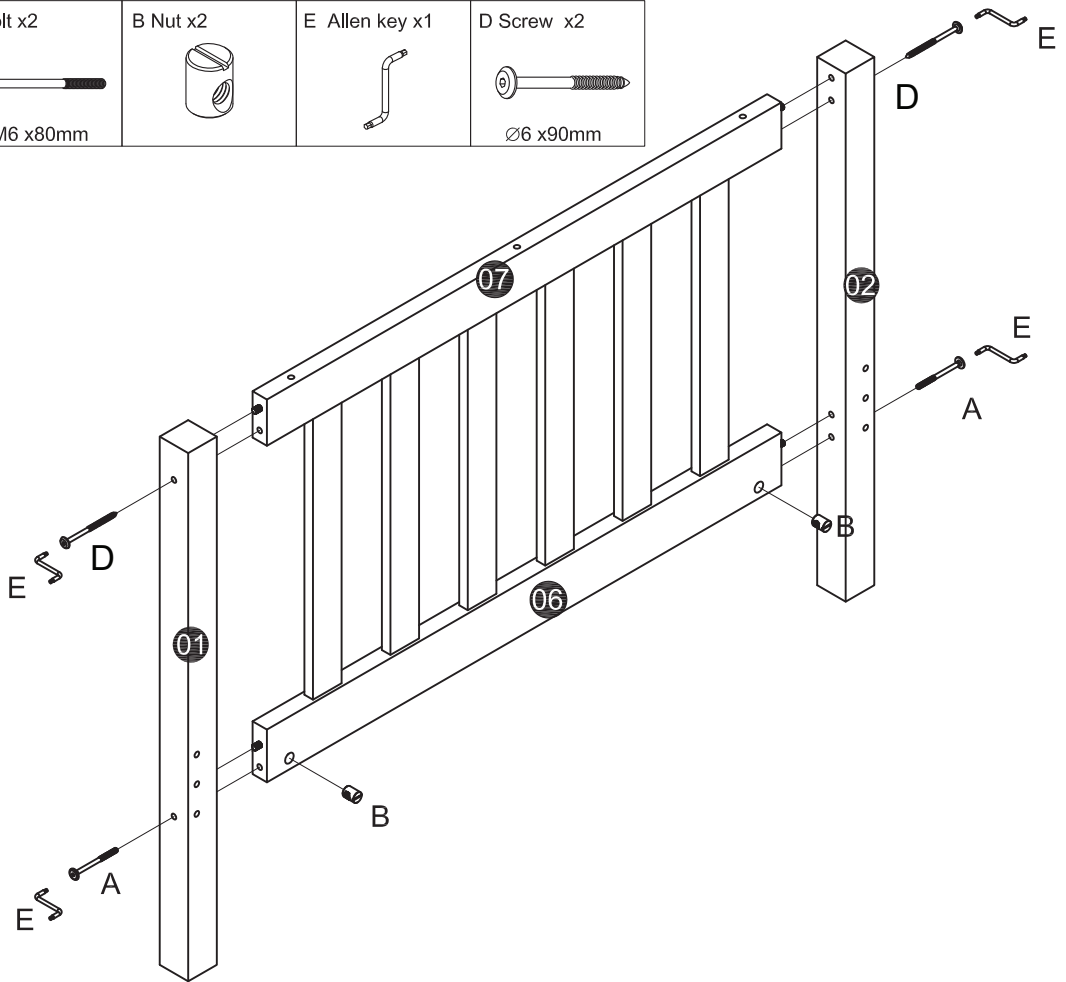


02

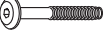
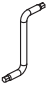


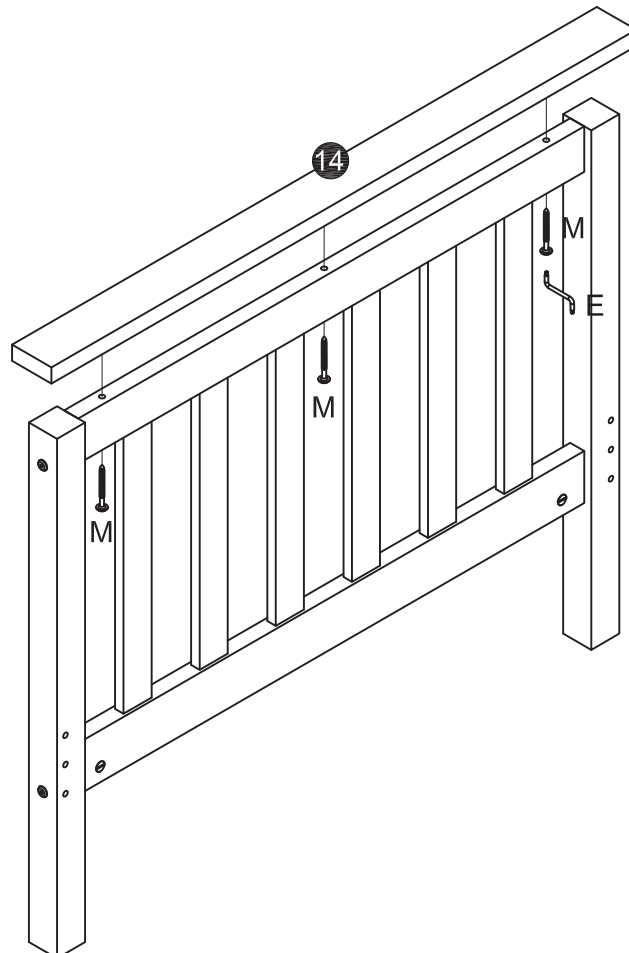
03

A Bolt x2  M6 x80mm	B Nut x2 	E Allen key x1 	D Screw x2  Ø6 x90mm
--	---	---	---



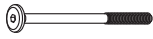
04

M Screw x3  Ø6 x55mm	E Allen key x1 
---	---



05

A Bolt x4

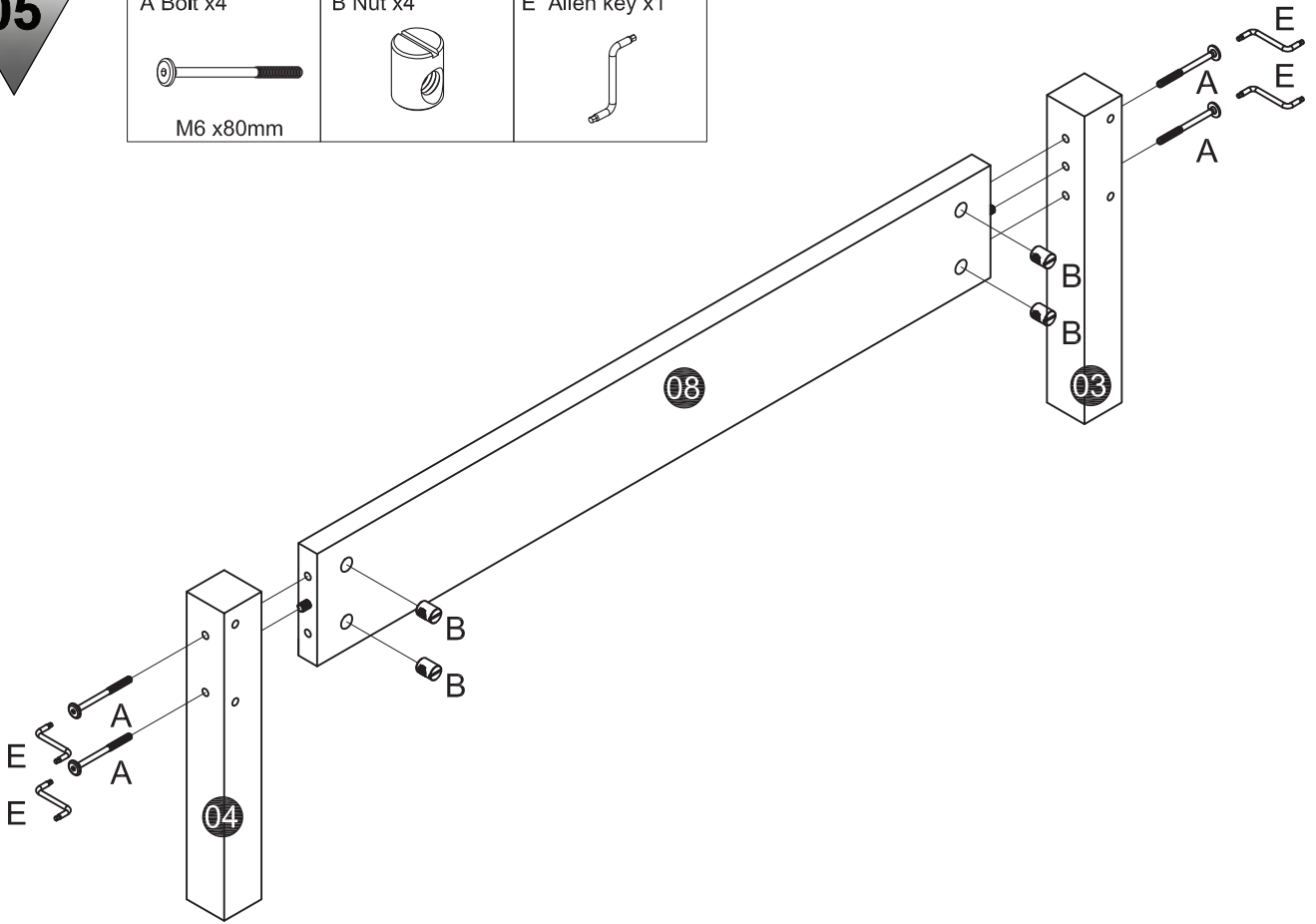


M6 x80mm

B Nut x4



E Allen key x1



06

K Spanner x1



L Washer x4



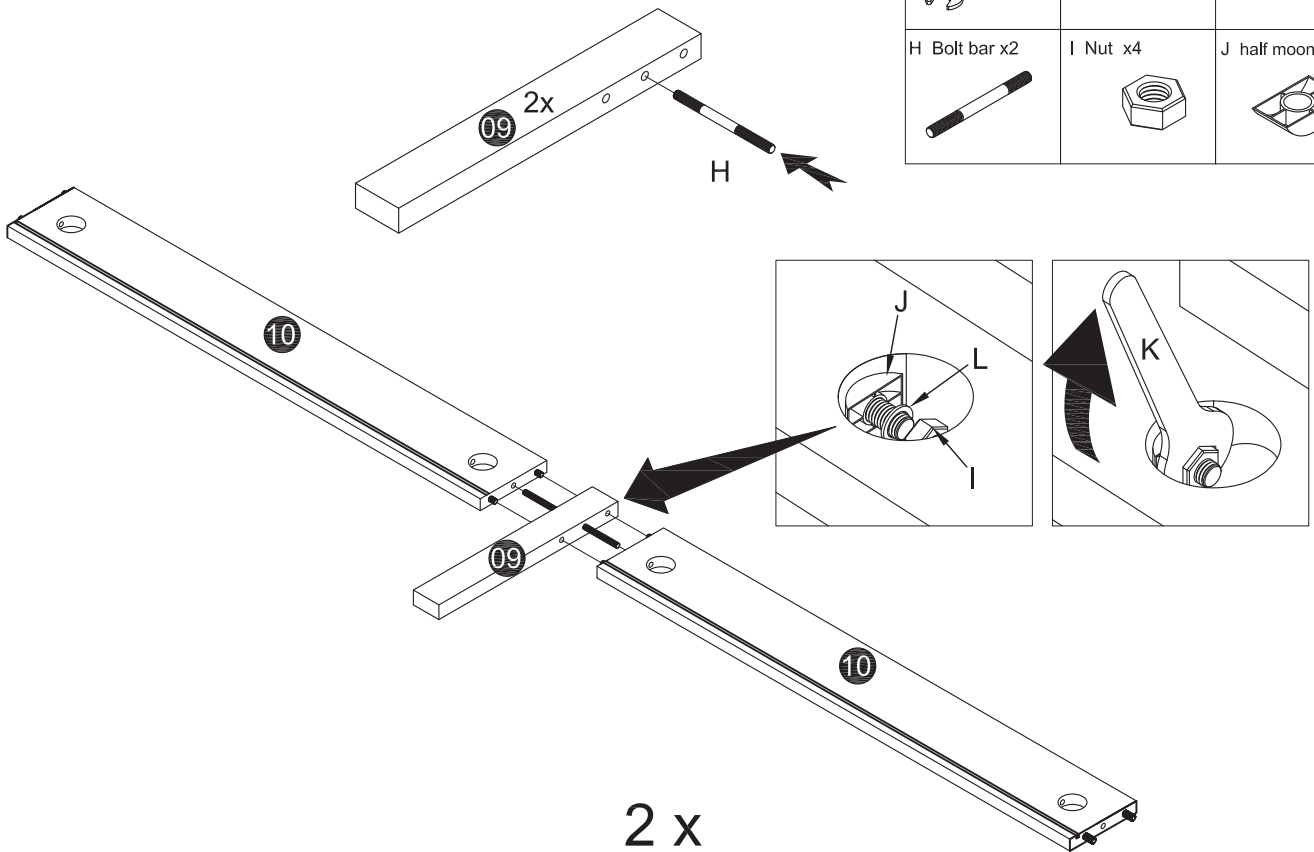
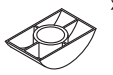
H Bolt bar x2



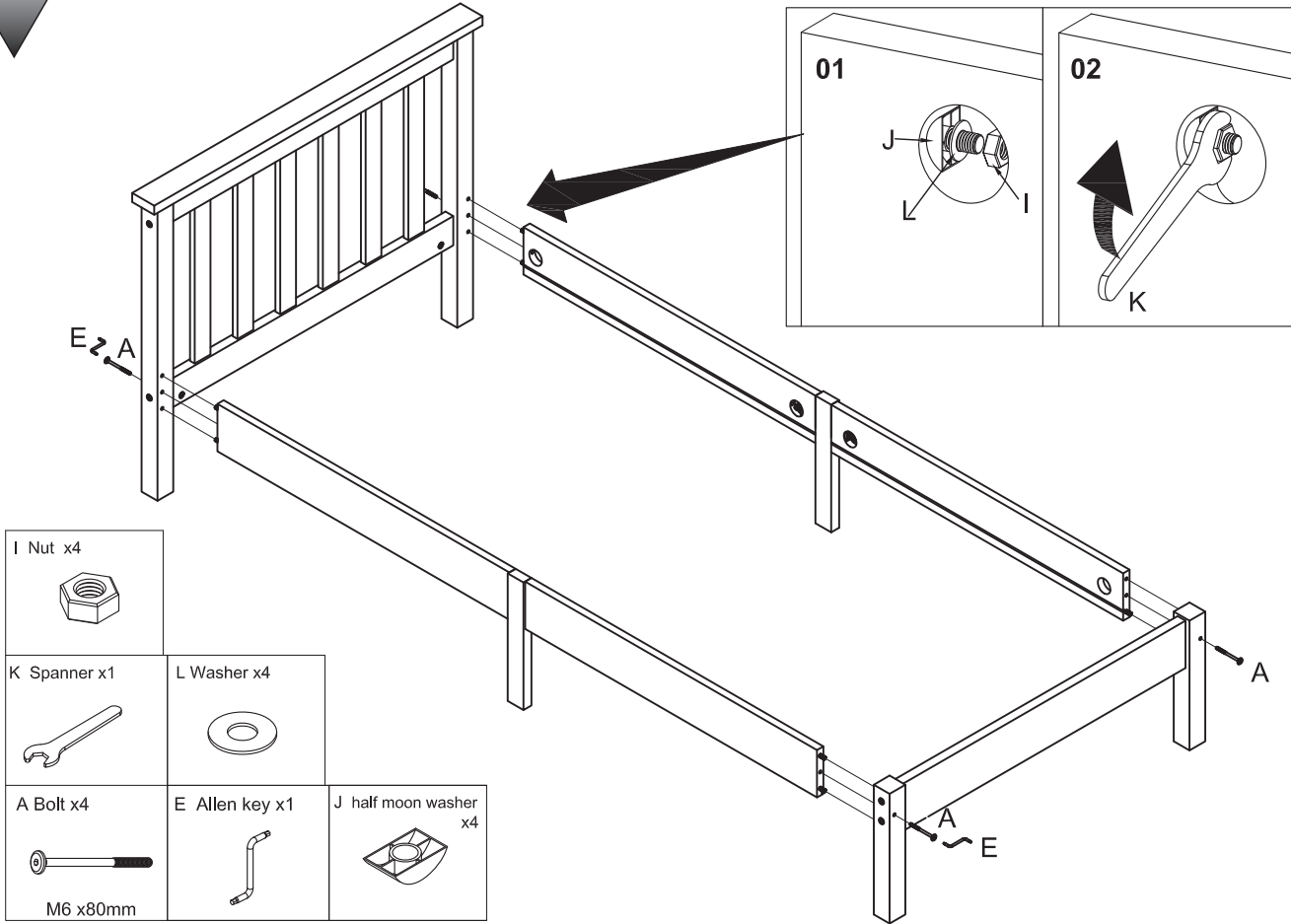
I Nut x4



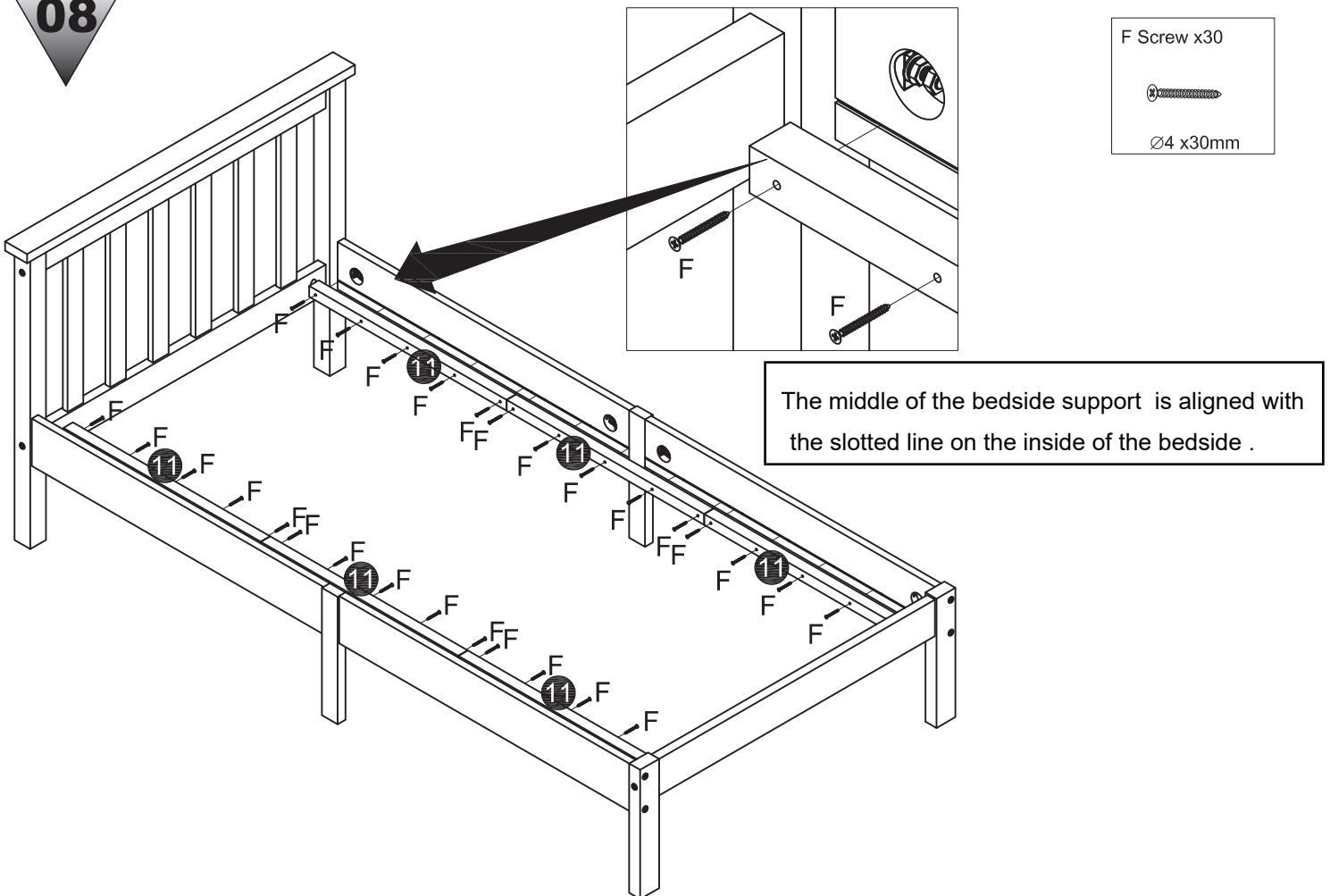
J half moon washer x4



07

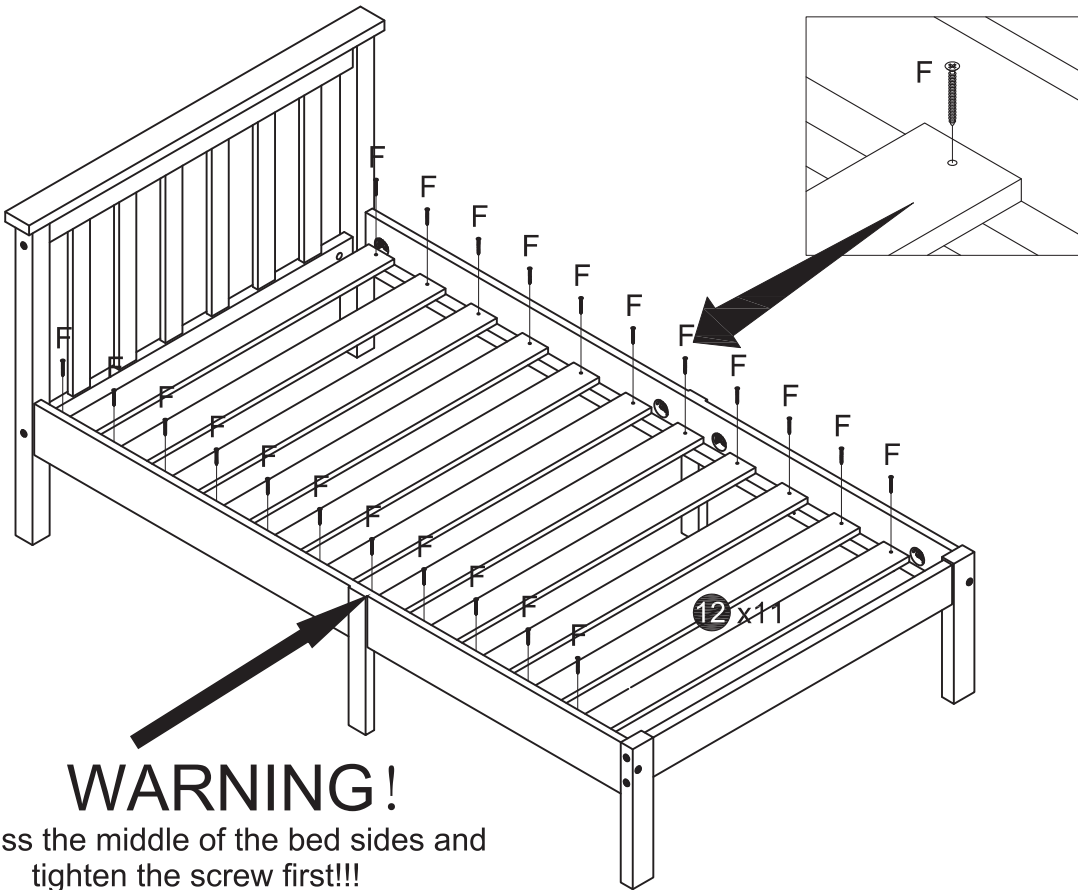
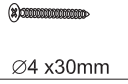


08



09

F Screw x22



10

F Screw x4



Ø4 x30mm

