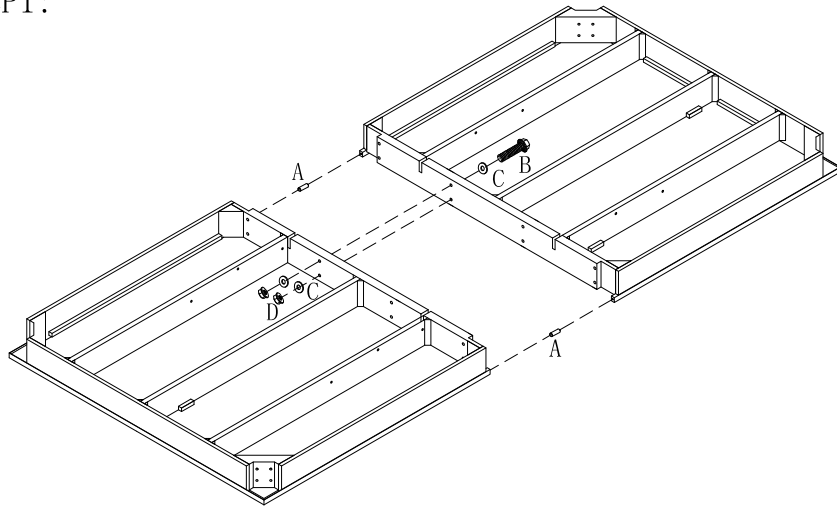




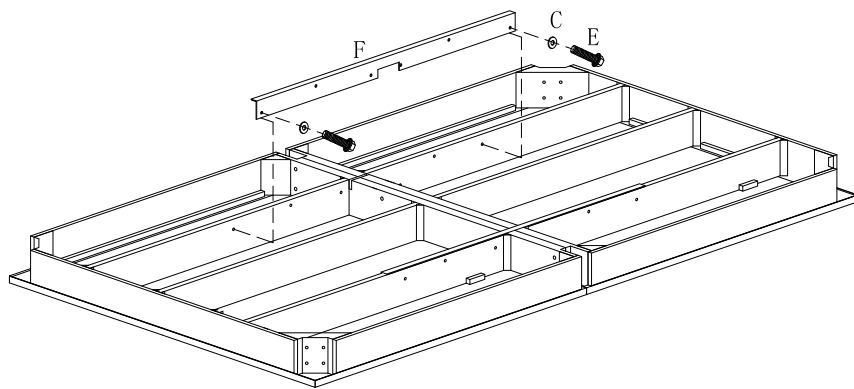
#7225-PENELOPE TABLE TENNIS

Assembly Instruction

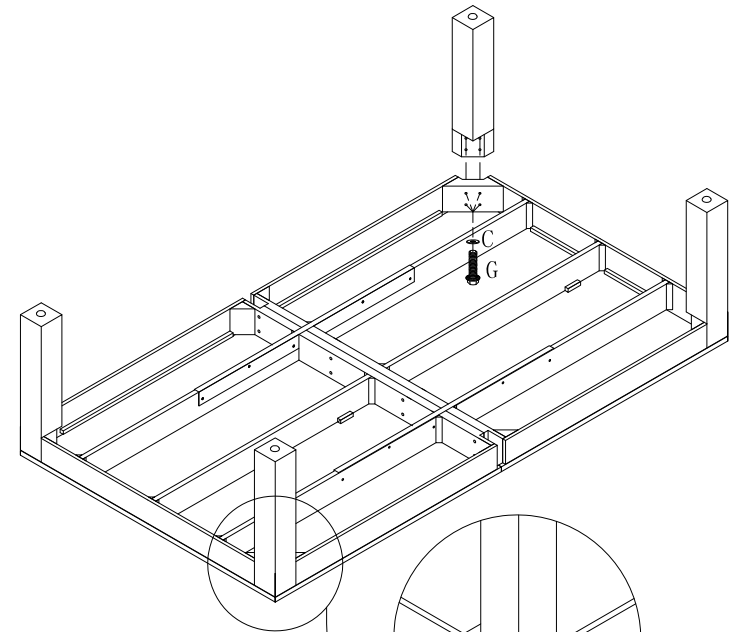
STEP1:



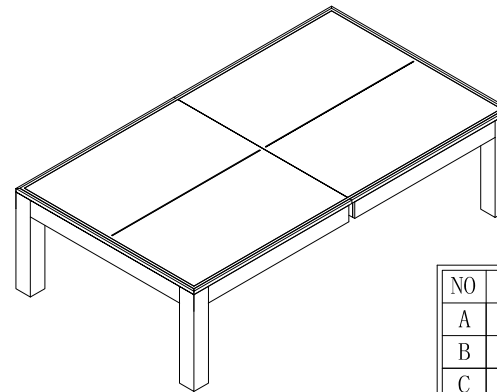
STEP2:



STEP3:



To secure the bolt perfectly,
please make sure the leg is
aligned with the blinds



NO	NAME	SIZE	PCS	DRAW
A	DOWEL	Φ10mmX30mm	2	
B	FLANG BOLT	Φ5/16"X4"	8	
C	WASHER	Φ5/16"X3/4"X2mm	44	
D	NUT	Φ5/16"	8	
E	FLANG BOLT	Φ5/16"X1-1/4"	12	
F	L METAL	52"X2-19/32"X1-5/16"	2	
G	FLANG BOLT	Φ5/16"X3"	16	