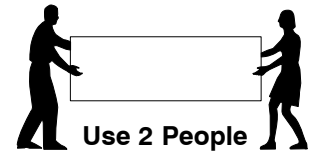
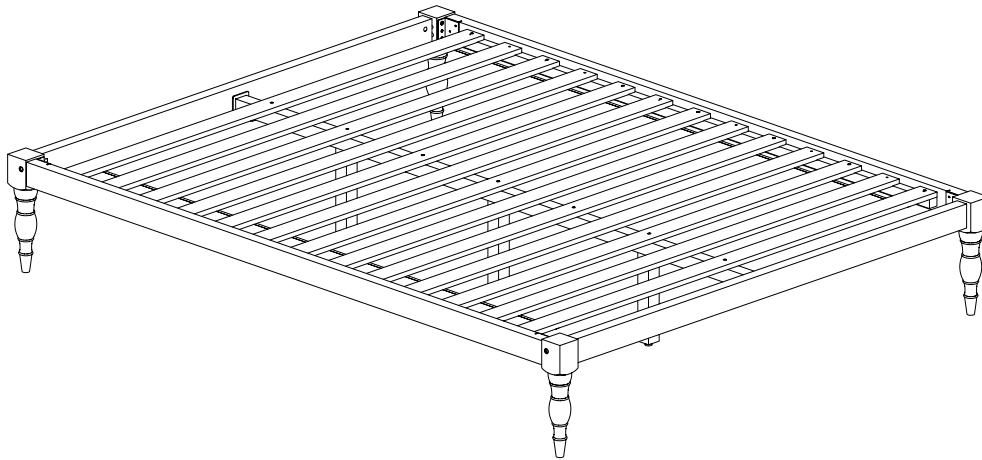


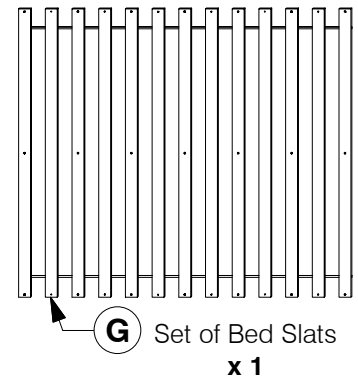
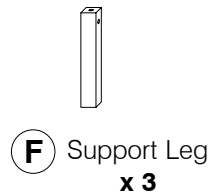
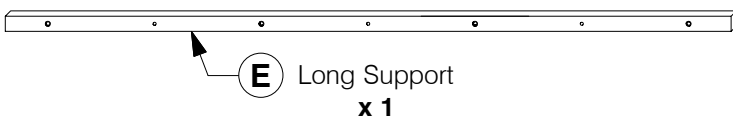
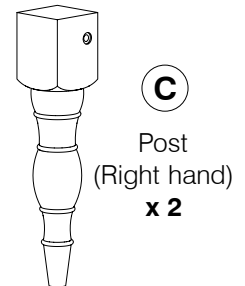
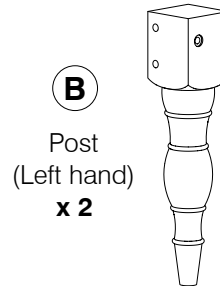
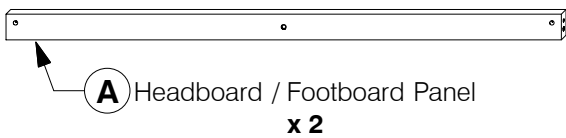
## Assembly Instructions

### 1 Assembled View

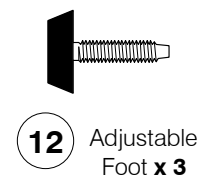
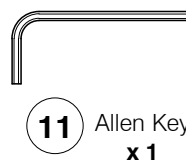
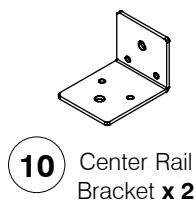
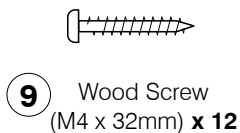
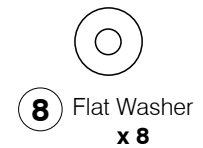
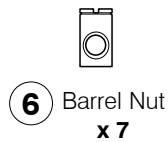
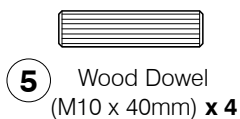
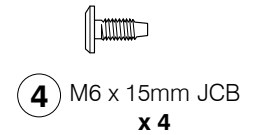
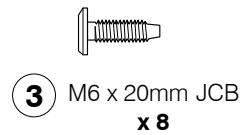
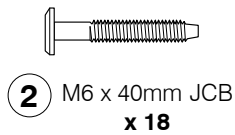
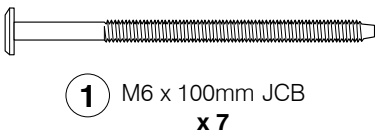


**Note:** Do not assemble using power tools. This can cause the bolts to be overtightened

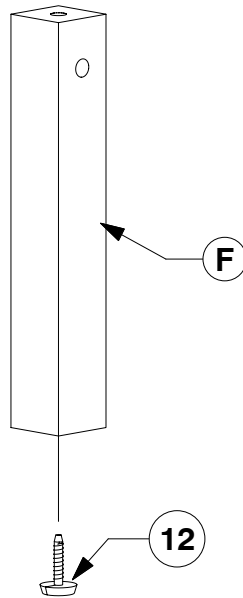
### 2 Parts List



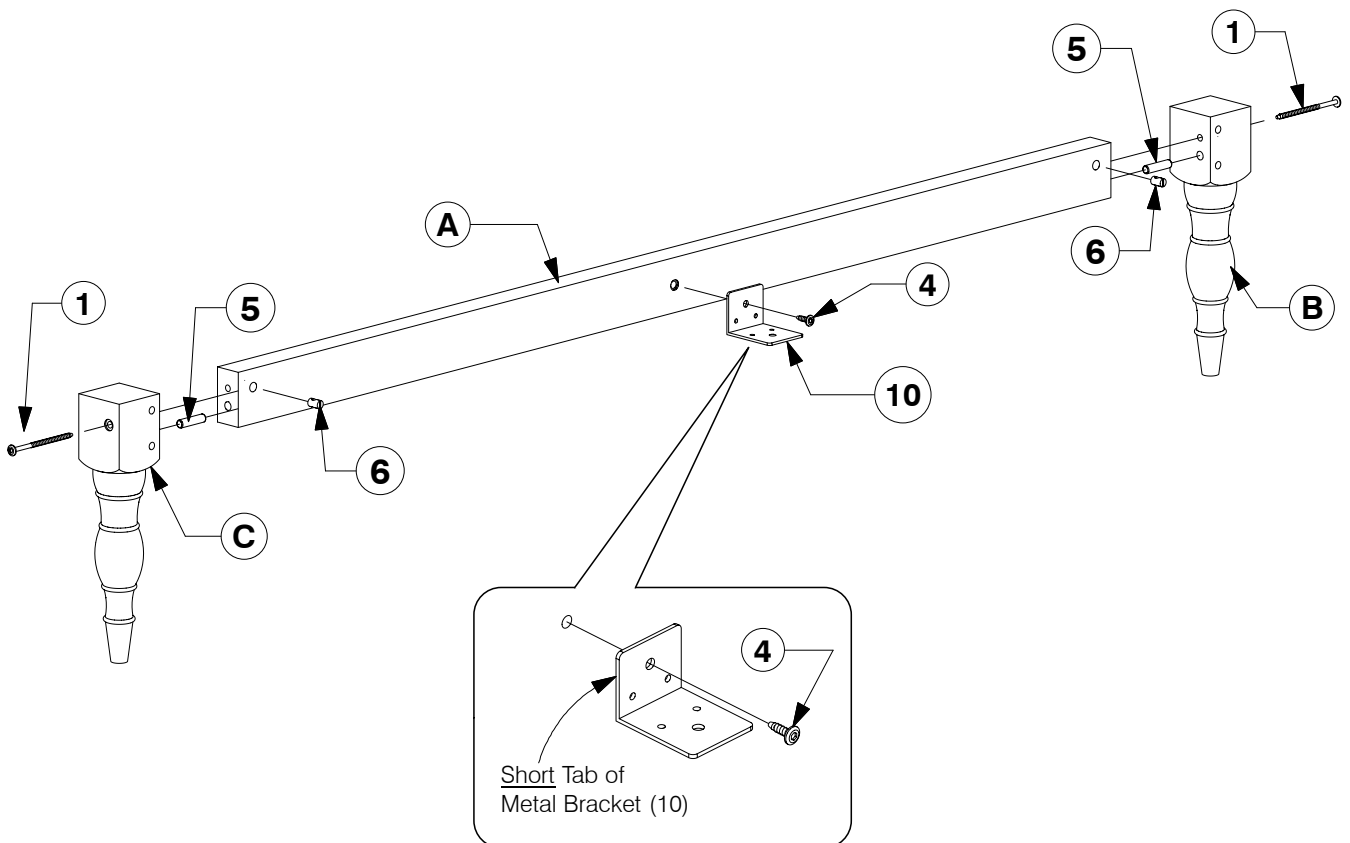
### 3 Hardware List



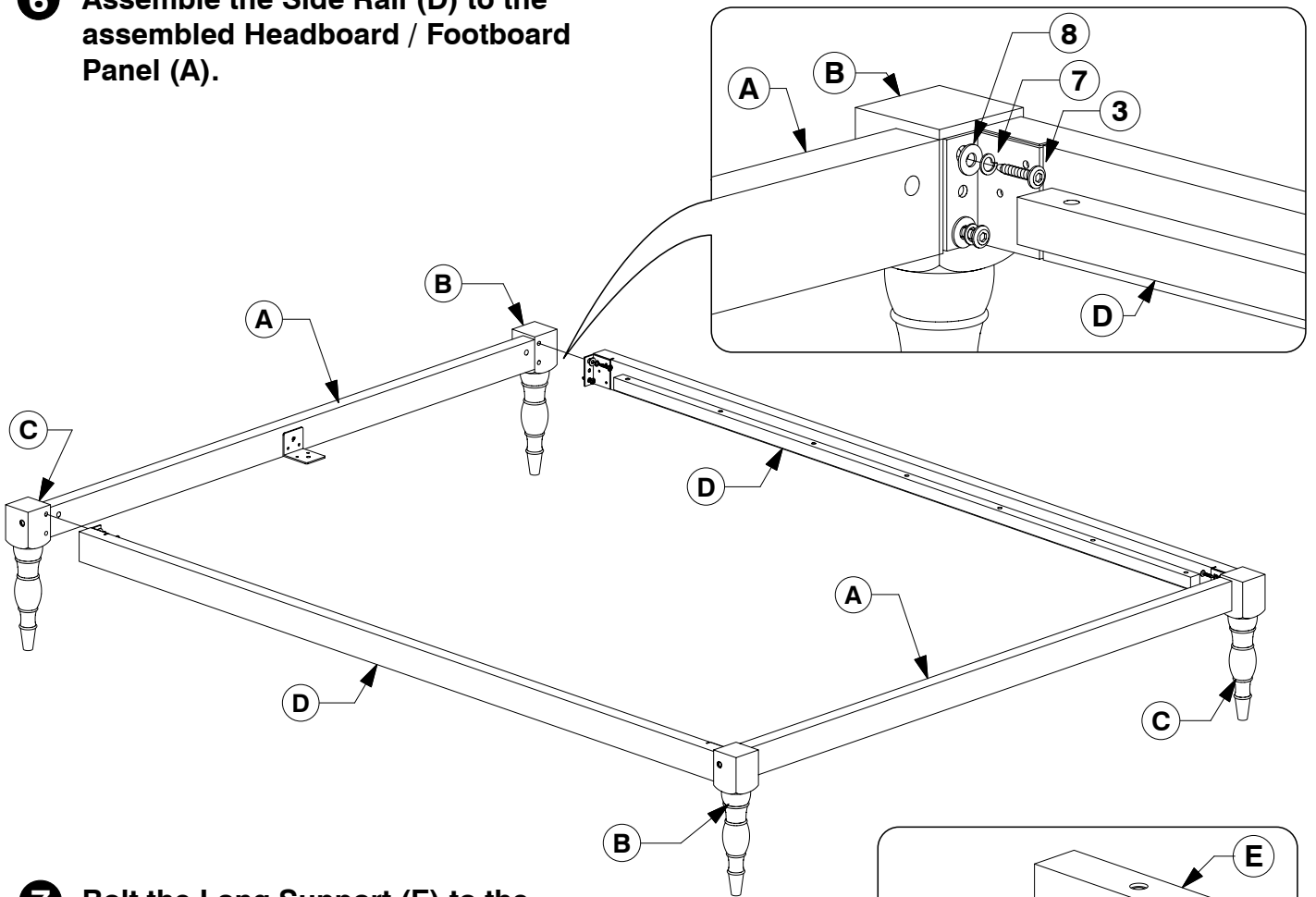
**4** Fix the Adjustable foot to the bottom of the Support Leg (F).



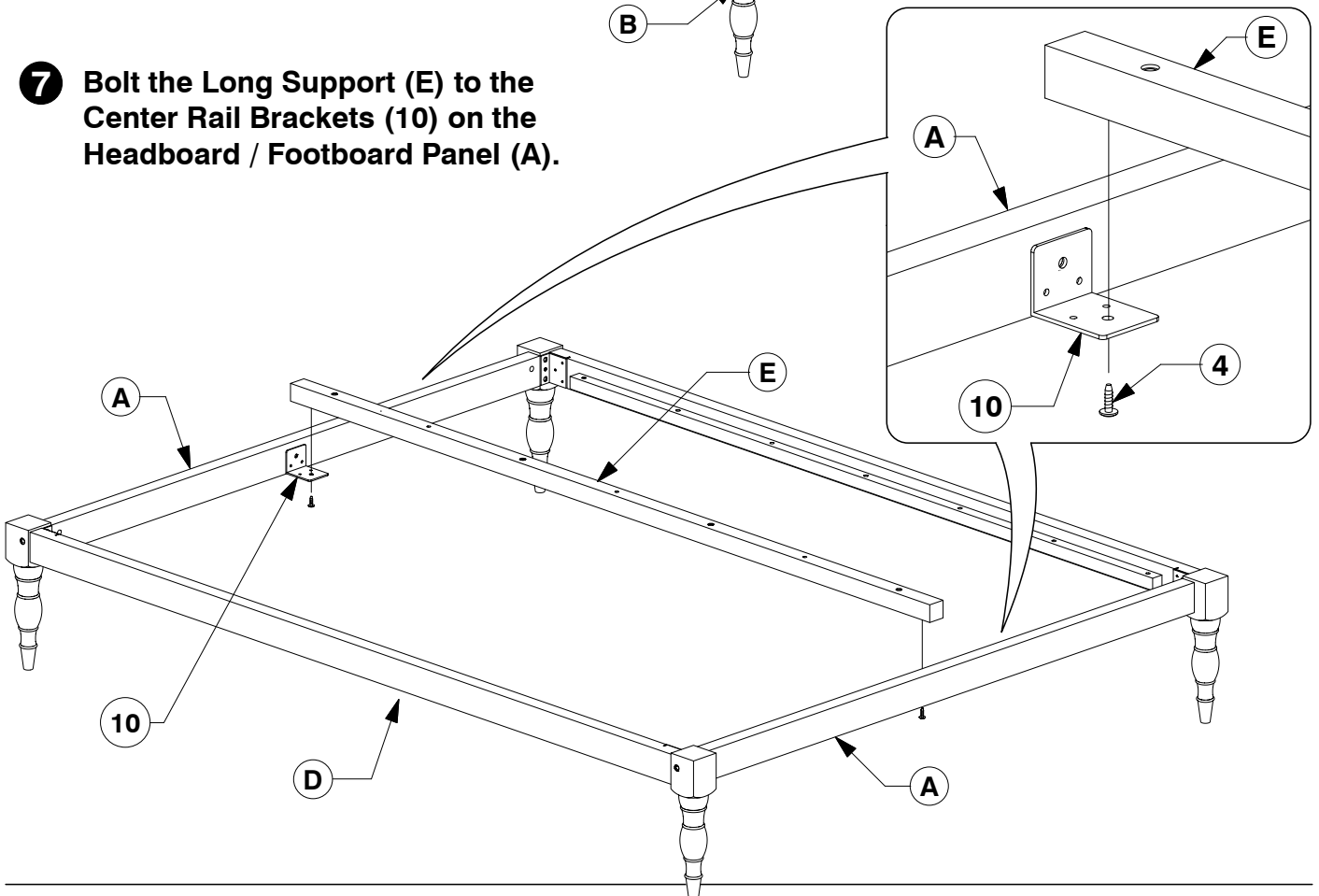
**5** Assemble the Post (B & C) to the Headboard / Footboard Panel (A).  
Fit the Center Rail Bracket to the Headboard / Footboard Panel (A).



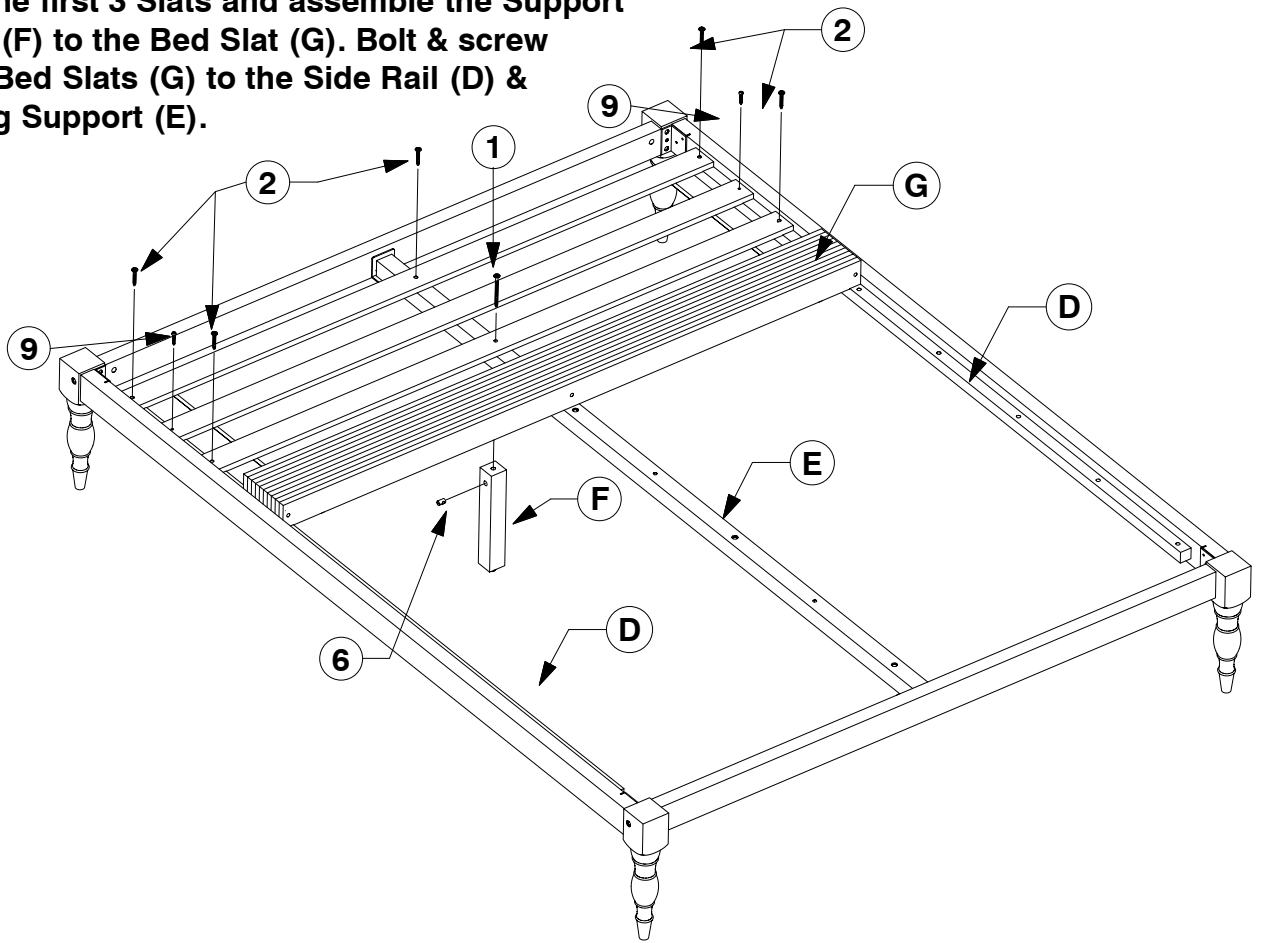
- 6 Assemble the Side Rail (D) to the assembled Headboard / Footboard Panel (A).**



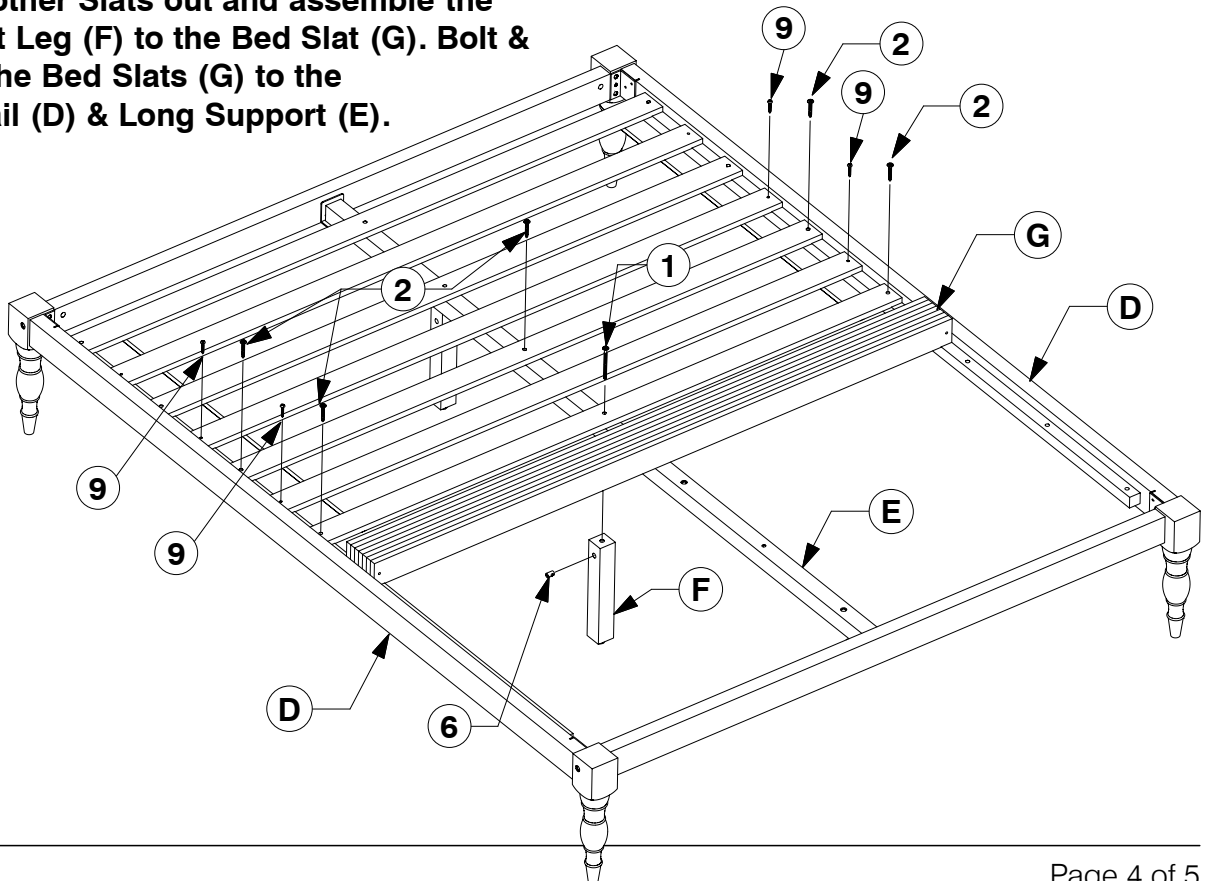
- 7 Bolt the Long Support (E) to the Center Rail Brackets (10) on the Headboard / Footboard Panel (A).**



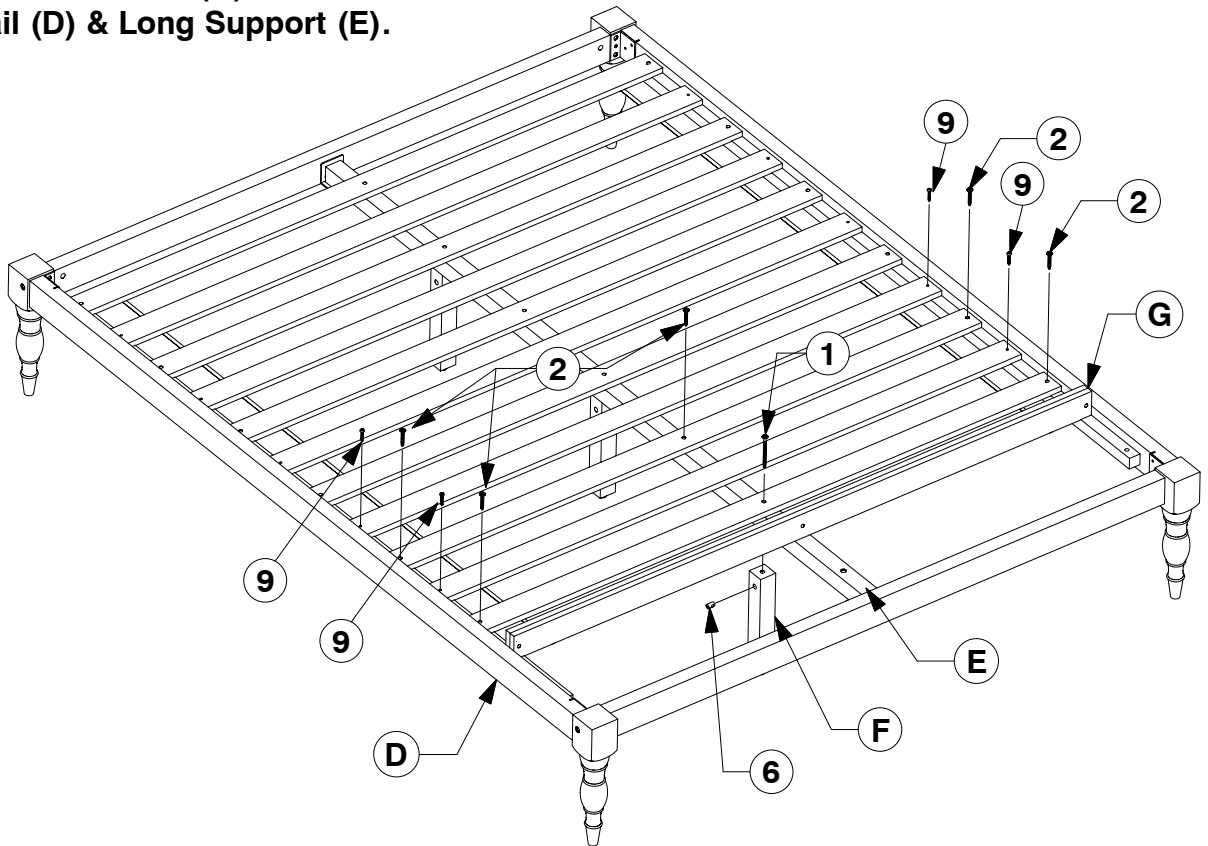
- 8** Fit the first 3 Slats and assemble the Support Leg (F) to the Bed Slat (G). Bolt & screw the Bed Slats (G) to the Side Rail (D) & Long Support (E).



- 9** Fit the other Slats out and assemble the Support Leg (F) to the Bed Slat (G). Bolt & screw the Bed Slats (G) to the Side Rail (D) & Long Support (E).



- 10** Fit the other Slats out and assemble the Support Leg (F) to the Bed Slat (G). Bolt & screw the Bed Slats (G) to the Side Rail (D) & Long Support (E).



- 11** Bolt & screw the remaining Bed Slats (G) to the Side Rail (D).

