

41064

12" GRAB BAR

STANDARD SPECIFICATION:

- GROHE StarLight®

*Pure Freude
an Wasser*








PRODUCT FEATURES:

-  GROHE StarLight®

CERTIFICATIONS:

AVAILABLE FINISHES:

- 41064000**  StarLight® Chrome
- 41064A00**  Hard Graphite
- 41064BE0**  Polished Nickel InfinityFinish™
- 41064EN0**  Brushed Nickel InfinityFinish™
- 41064GN0**  Brushed Cool Sunrise

NOTE: Install this product according to the installation guide. ADA, CSA compliant when installed to the specific requirements of these regulations.

Tel: 1.630.582.7711 Fax: 1.630.582.7722

We reserve the right to make revisions without notice to product specifications.

For the most current Specification Sheet, go to www.grohe.us.

07-01-2020

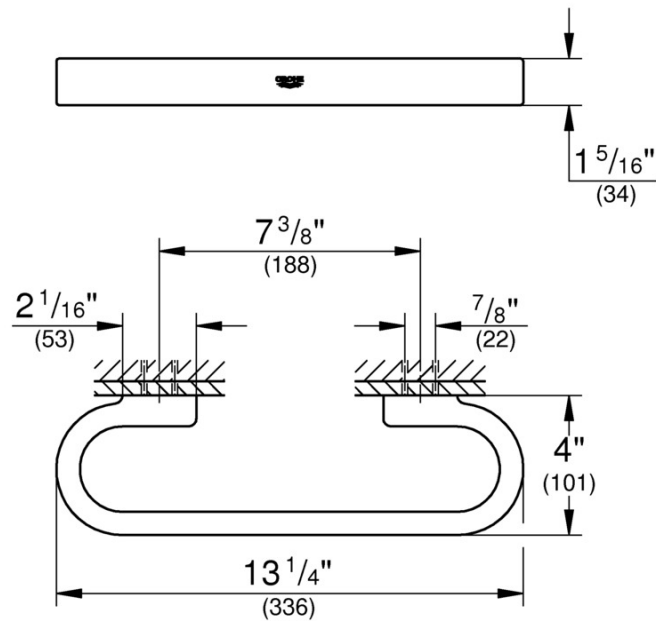
PART OF LIXIL

41064

12" GRAB BAR

TECHNICAL DATA:

Pure Freude
an Wasser



Tel: 1.630.582.7711 Fax: 1.630.582.7722

We reserve the right to make revisions without notice to product specifications.

For the most current Specification Sheet, go to www.grohe.us.

07-01-2020

PART OF **LIXIL**