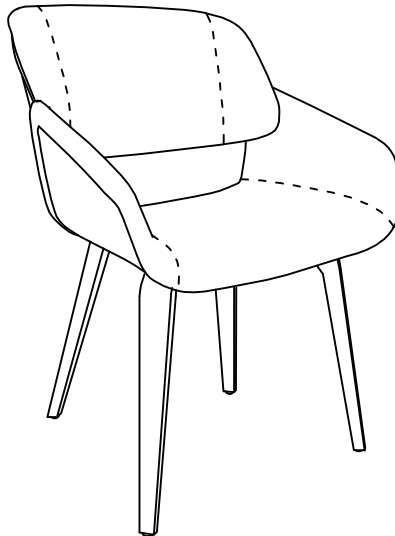


# ASSEMBLY INSTRUCTIONS

ASSEMBLY  
REQUIREMENTS

1-Person  
Assembly

30 Minutes  
Assembly Time



## ASSEMBLY PREPARATION

1. Remove all packaging materials, staples and packing straps from the carton.
2. Refer to Parts List and Hardware List, and ensure parts and hardware are correct before assembly.  
Contact customer service for missing parts.
3. Place all wooden parts on a clean, flat and soft surface (e.g. carpet or rug) to prevent parts from getting scratched.

## SAFETY PRECAUTION

1. KEEP ALL HARDWARE PARTS OUT OF REACH OF CHILDREN.
2. DISPOSE PLASTIC PACKAGING MATERIAL IMMEDIATELY TO AVOID ANY RISK OF SUFFOCATION TO CHILDREN AND ANIMALS.

## TIPS FOR ASSEMBLY

1. Allow ample room for assembly and in close proximity to where product will be placed.
2. Assemble the product on a surface that does not scratch or damage the exterior gloss and finish of the furniture.
3. Identify all of the parts, hardware and quantities required for each step.
4. During assembly, do not over-tighten any fittings as this may cause damage.
5. DO NOT USE POWER TOOLS TO ASSEMBLE THIS PRODUCT.
6. Always place the product on a flat, level surface.
7. Do not sit or stand on the partially assembled product; only use the product for which it is intended.

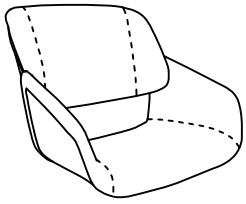
## CARE AND MAINTENANCE

- Use a slightly damp cloth to clean the product. Do not use bleach or abrasive cleaning material.
- Check all the fittings periodically and re-tighten as necessary. Do not use the product if any of the parts is damaged or broken.
- Never allow any kind of liquid to remain on your furniture. Absorption can cause wood to warp or delaminate.
- Do not place hot items (e.g. hot drinks) directly onto the wood surface.
- Do not drag and/or pull the furniture.

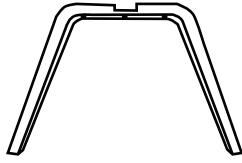
This product is for indoor and household use only - not for commercial use.

# ASSEMBLY INSTRUCTIONS

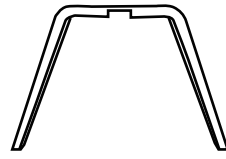
## PARTS AND HARDWARE LIST



Seat  
A x1



Leg  
B x1



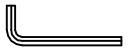
Leg  
C x1



M4x30mm  
Screws  
F x 1

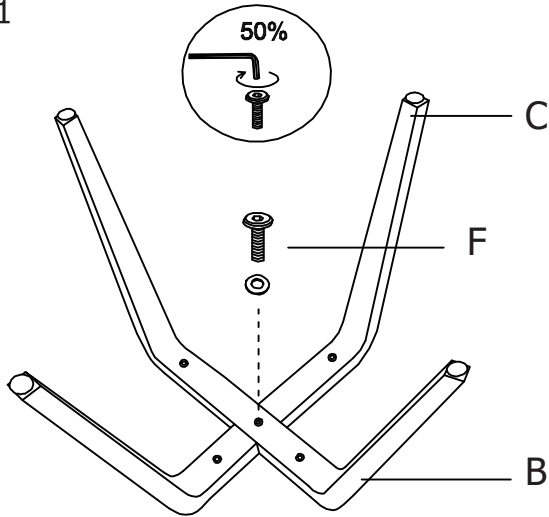


M6x42mm  
Screws  
G x4



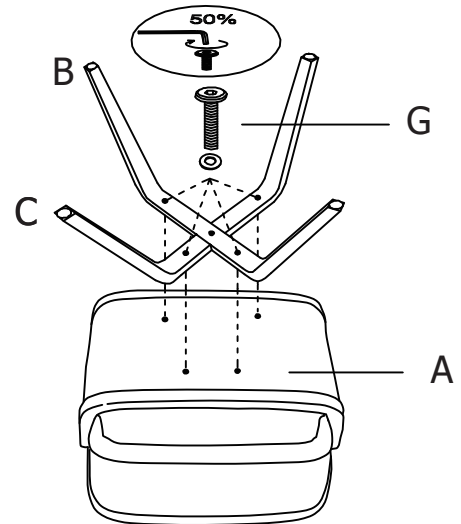
Allen Key  
L x1

### STEP 1



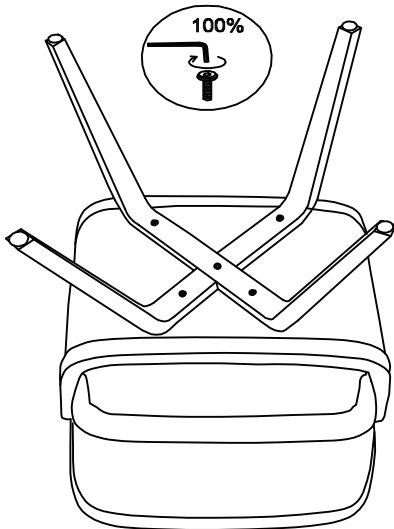
- Place Leg (B) over Leg (C) as shown on an elevated surface (e.g. table top).
- Use Allen Key (L) to drive Screw (F) fitted with washer to loosely fasten (B to C).

### STEP 2

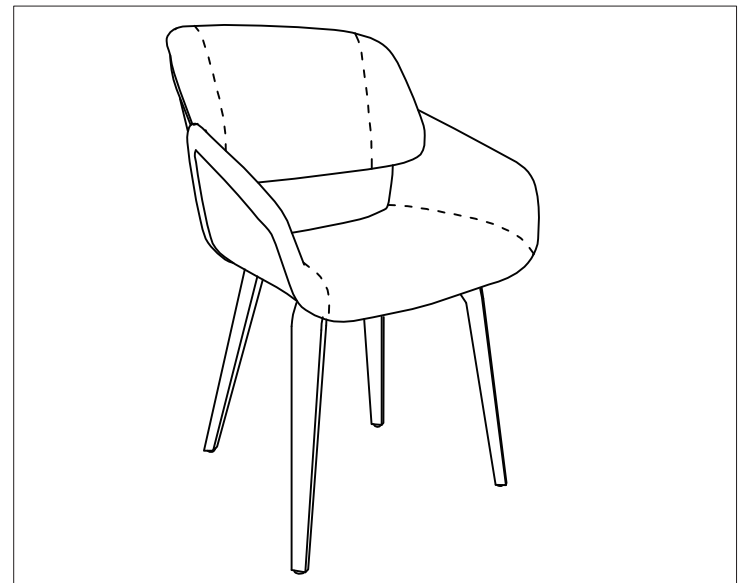


- Place Seat (A) bottom-side up as shown, and locate the 4 screw holes on the seat.
- Place Leg Frame (B & C) over (A) and align the screw holes on (B & C) to the screw holes on (A).
- Use Allen Key (L) to drive Screw (G) fitted with washer to loosely fasten (B & C) to (A).

### STEP 3



Tighten all the Screws (F & G) from STEP 1 and STEP 2 completely at this time. Use Allen Key (L) to drive (F & G)



Place the chair right-side up.  
The assembly of the chair is complete.