
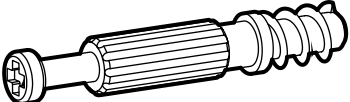
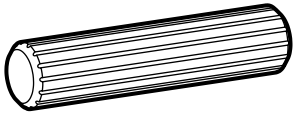
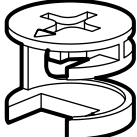
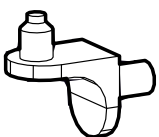
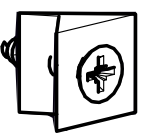

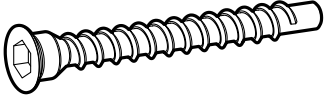
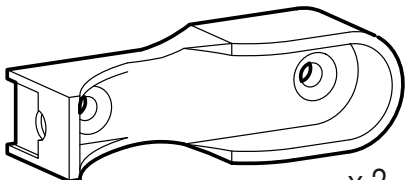
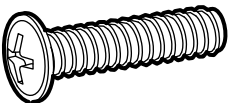
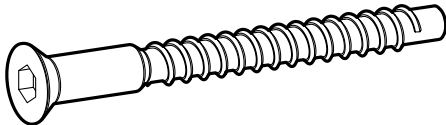
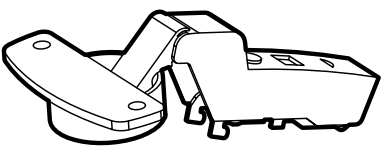
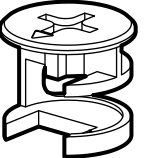


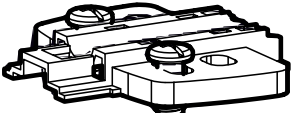


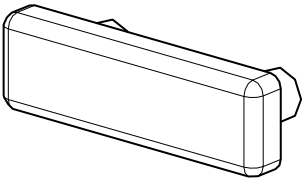
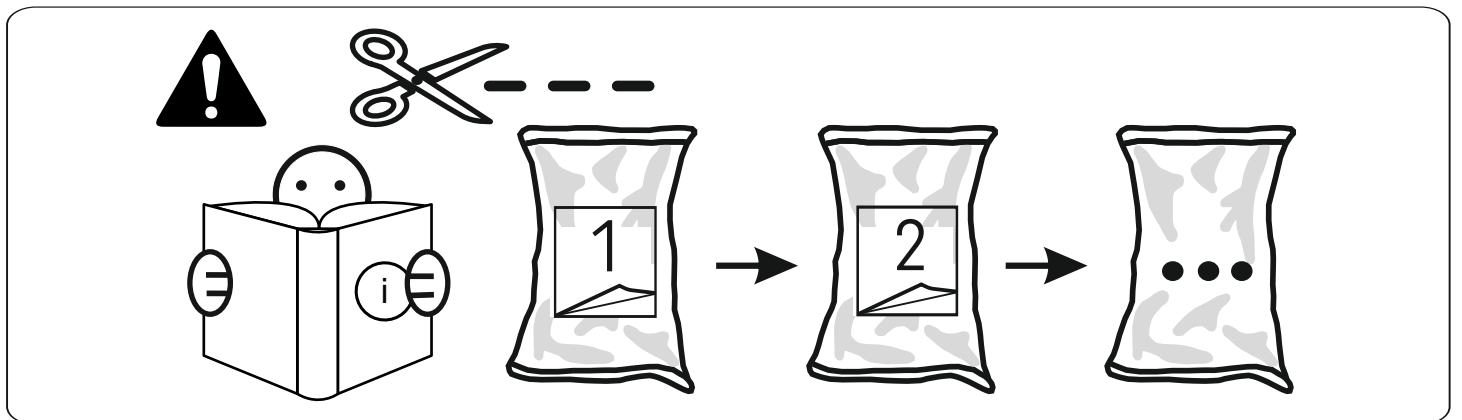
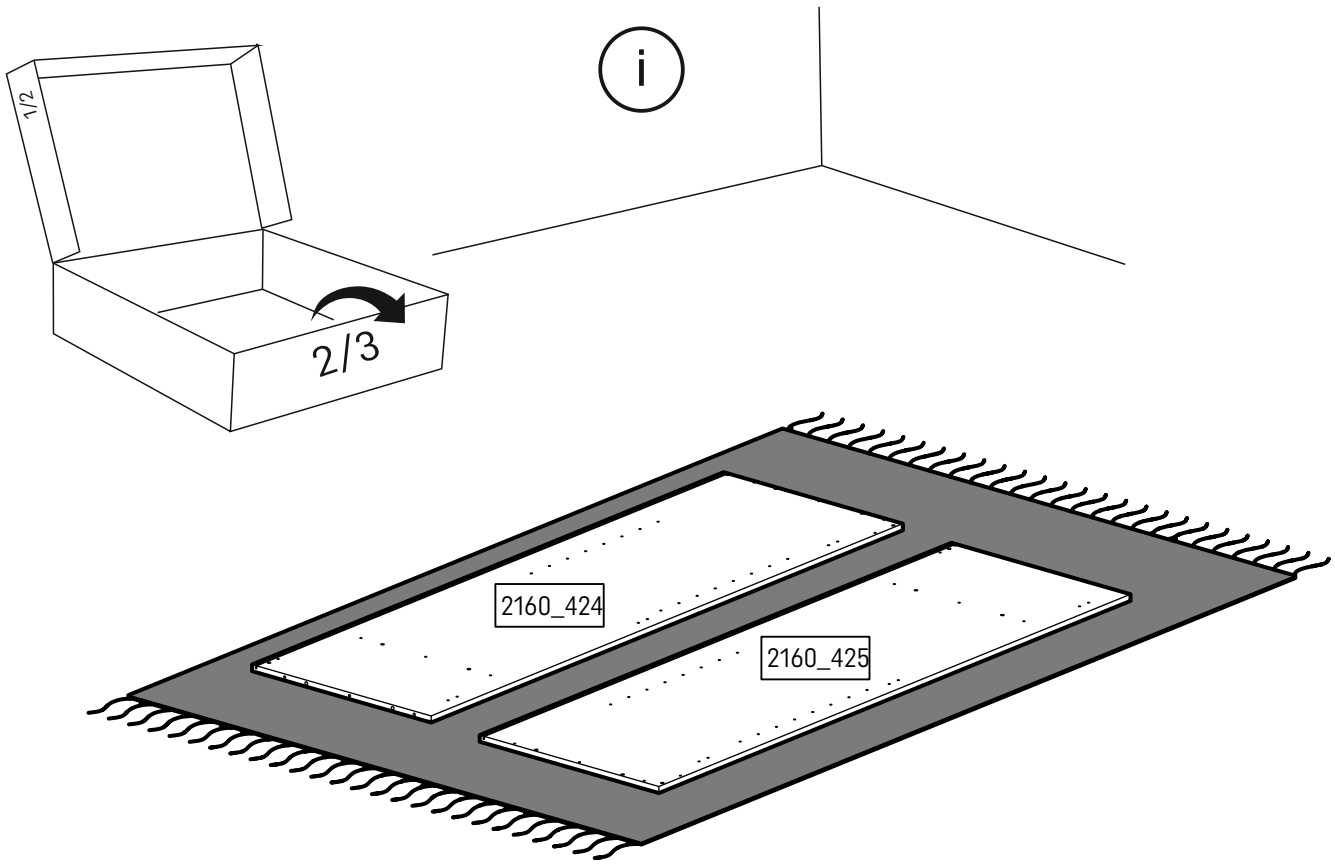
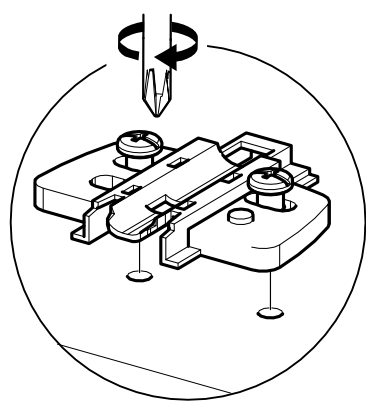
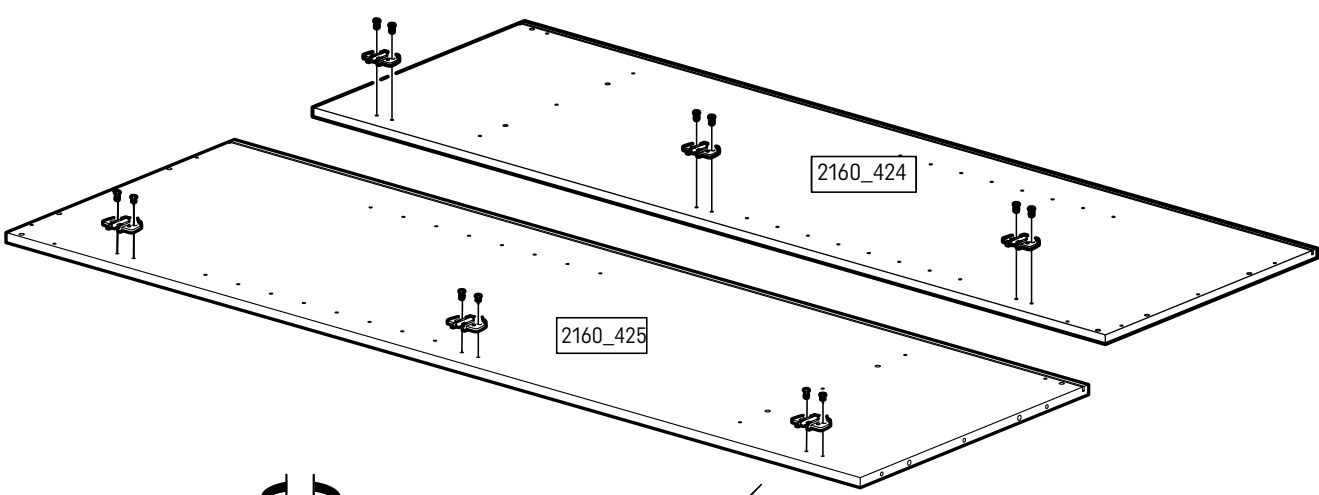
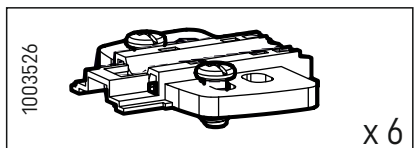


1000806  x1	1006091  x 19	1005857  x 20
1005990  x 9	1001262  x 8	1006022  x 8
1000893  x 1	1005876  x 9	1000225  x 2
1110778  x 2	1005962  x 8	1004820  x 6
1005367  x 10	1006012  x 18	1005681  x 12
1003526  x 6	1006031  x 4	1114564  x 2
1000868  x 1		



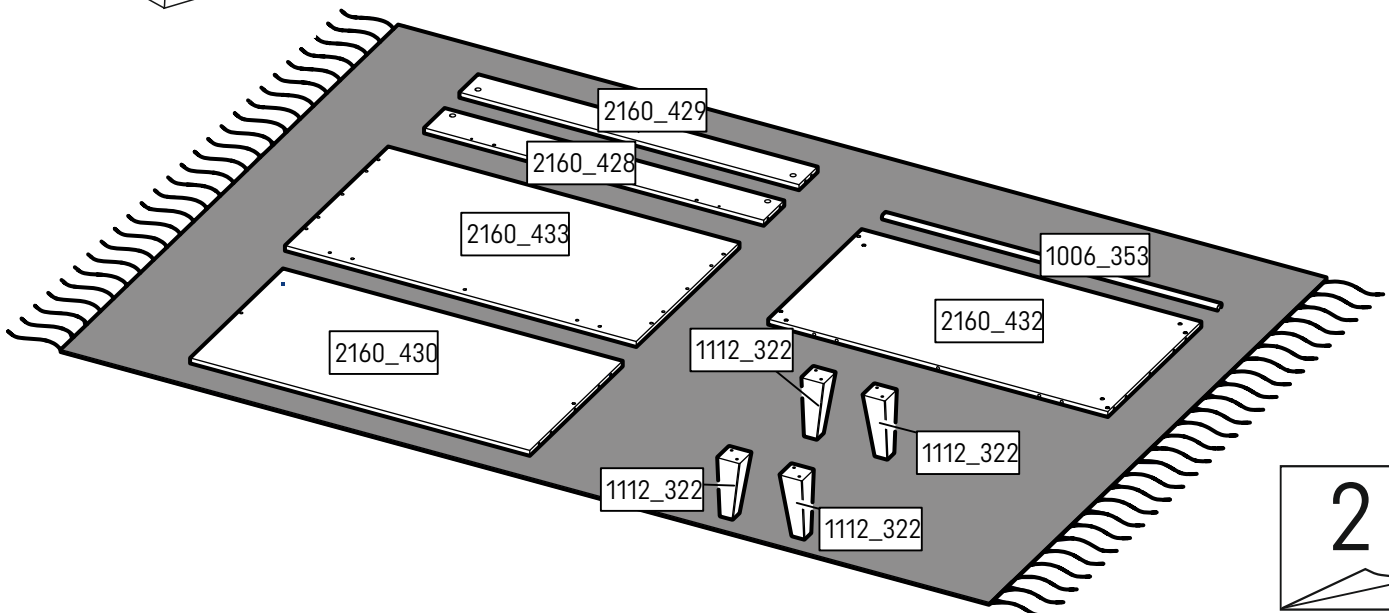
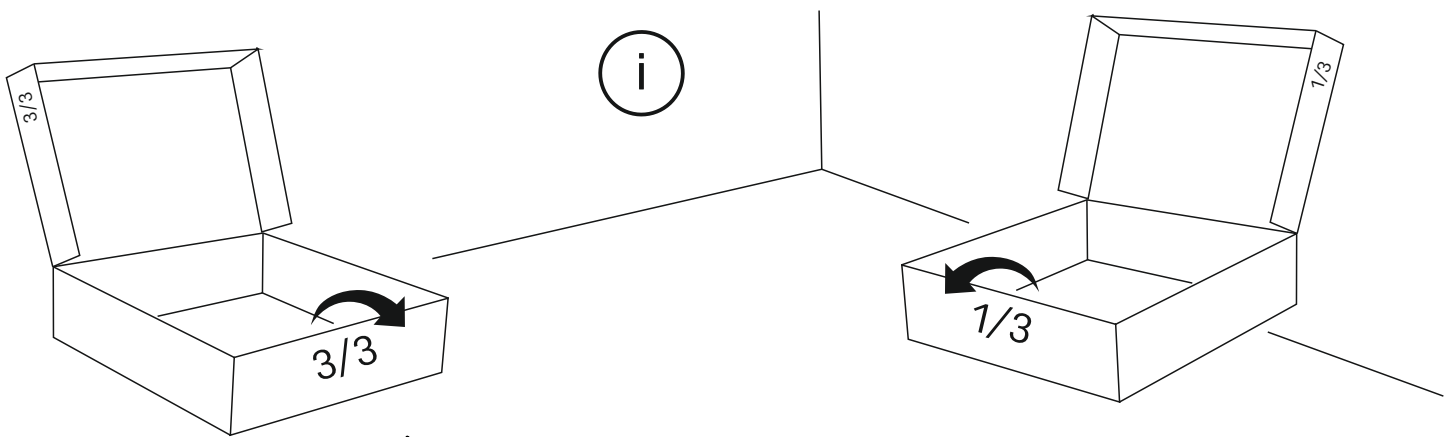
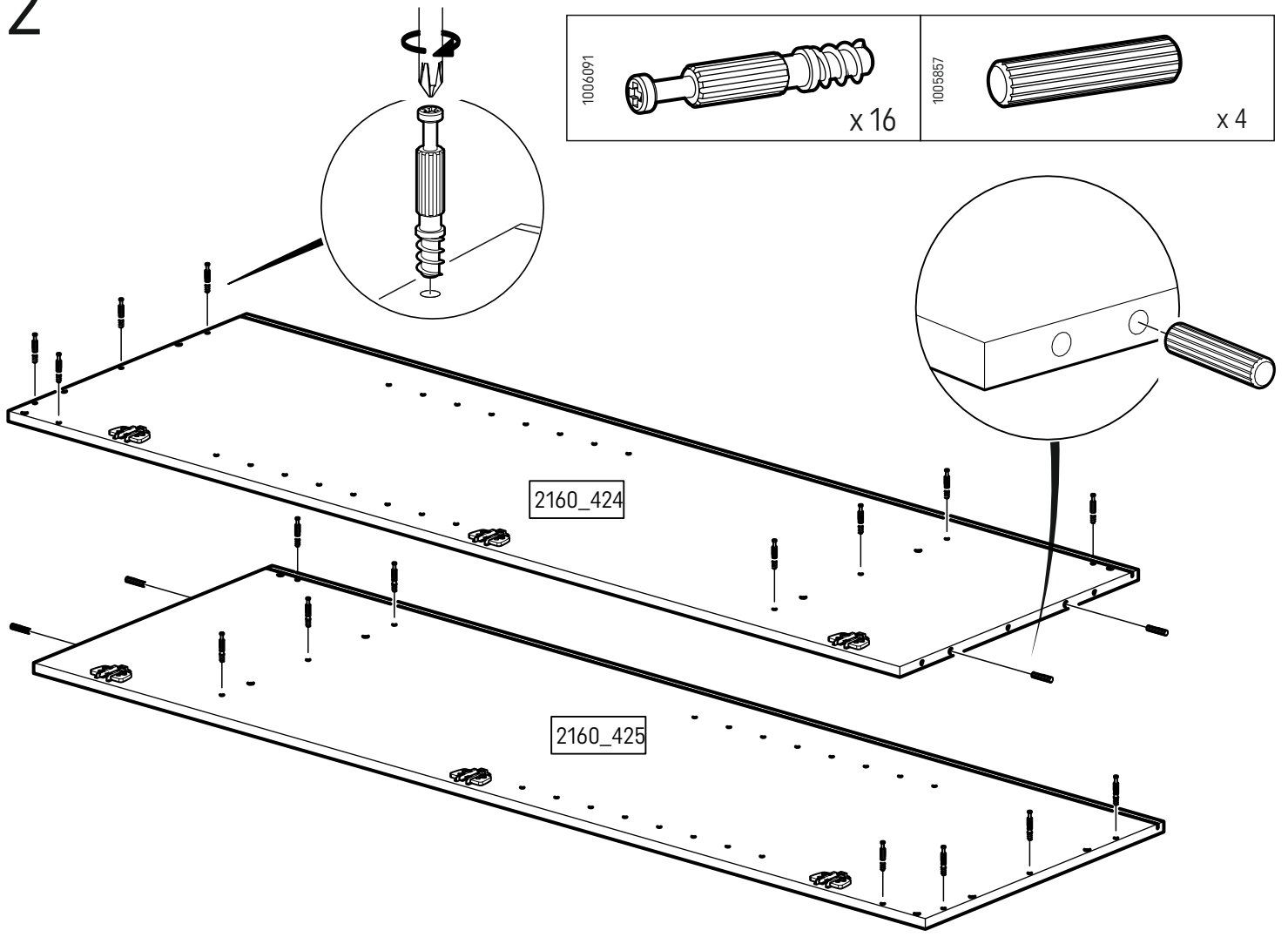


1



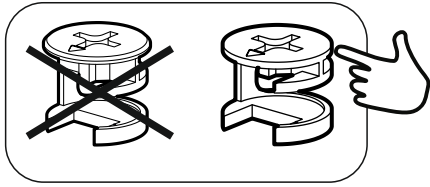
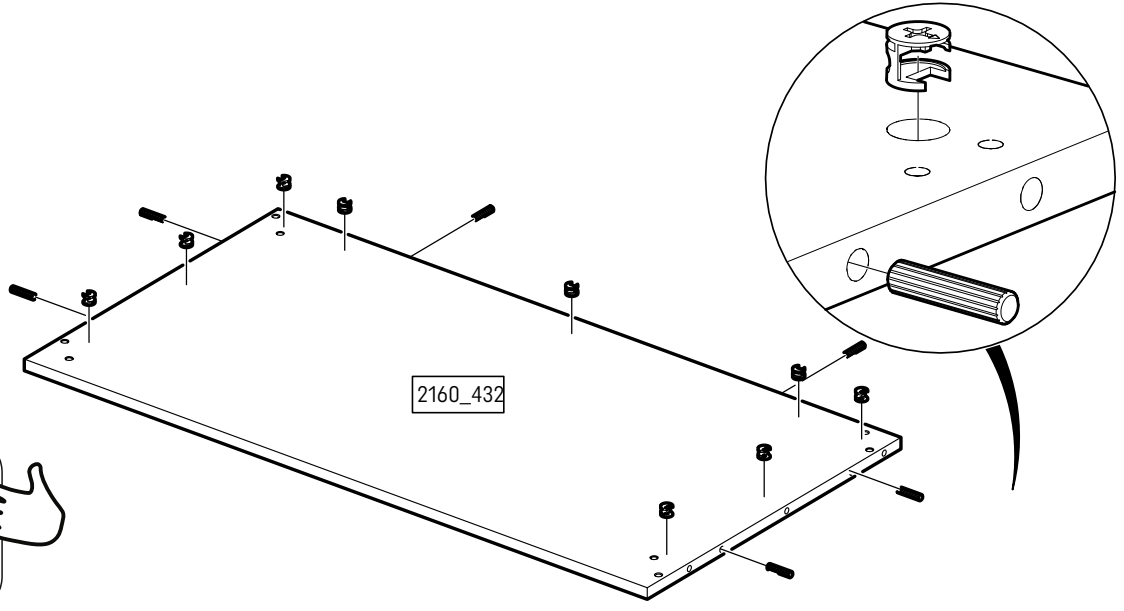
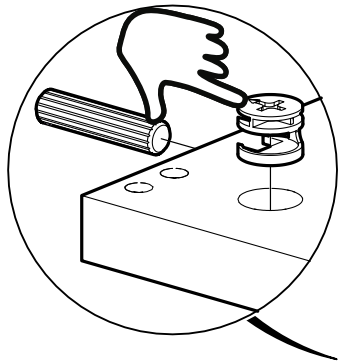
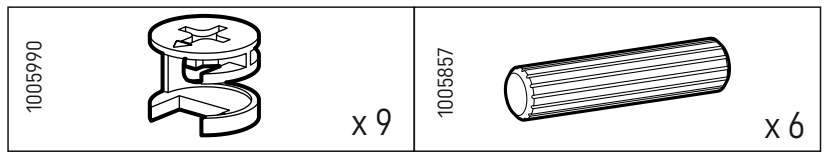
1

2

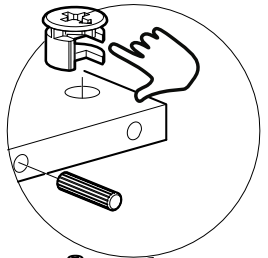
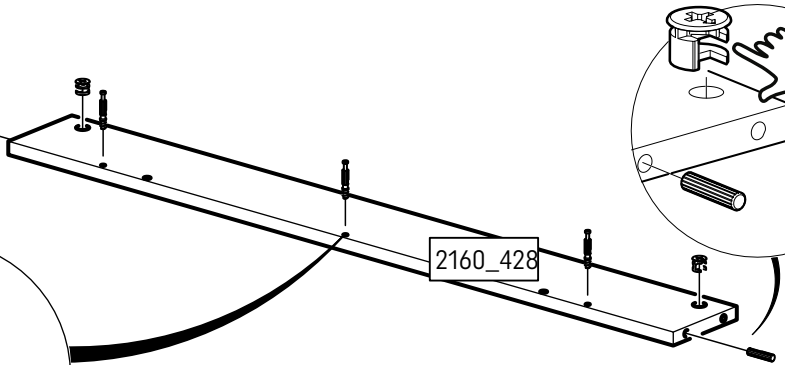
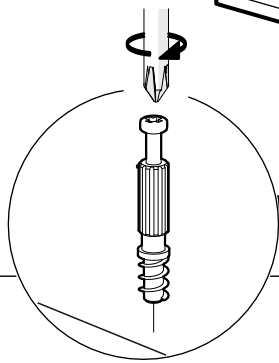
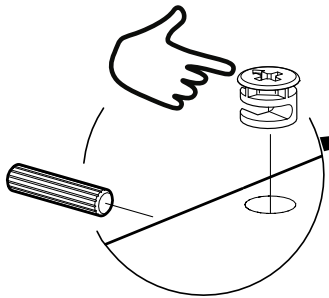
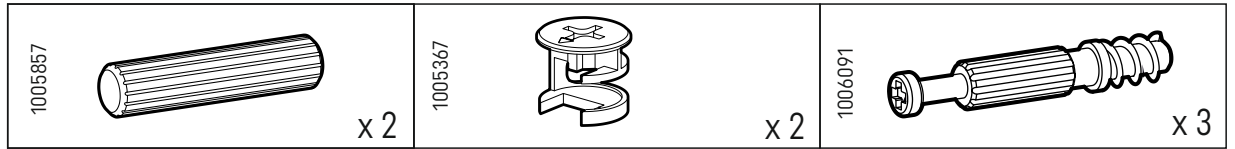


2

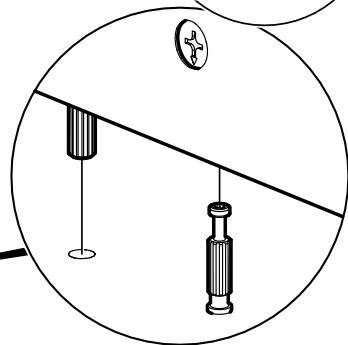
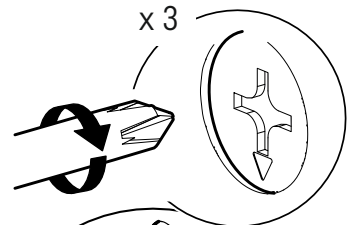
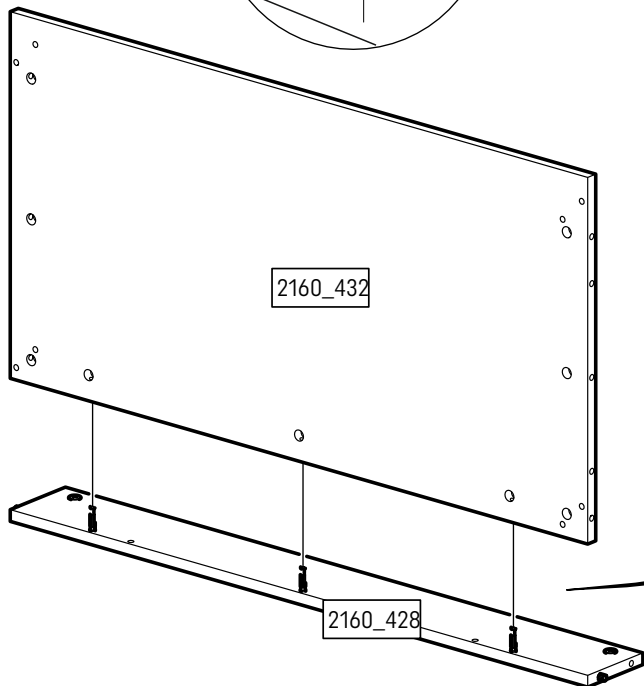
3



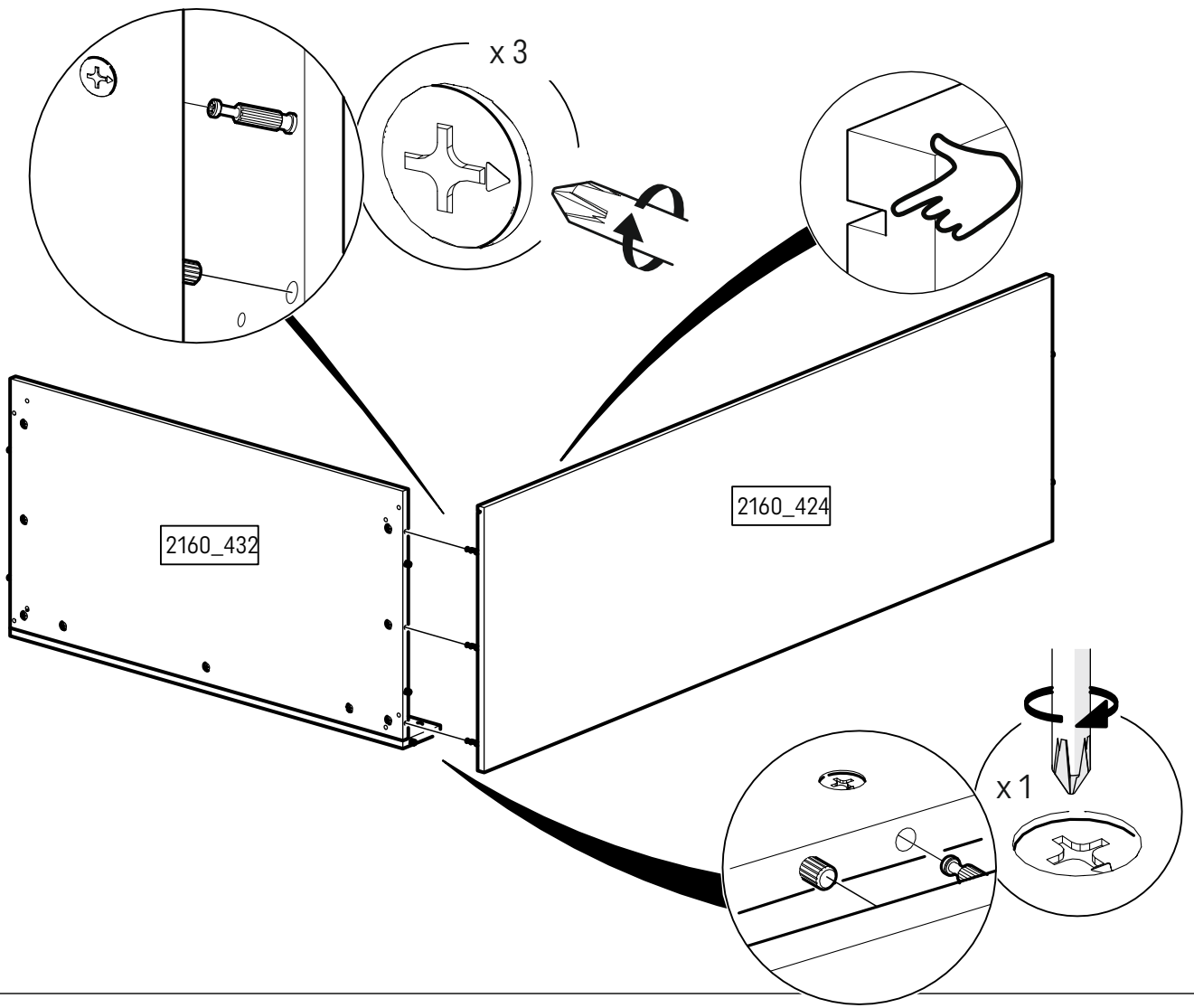
4



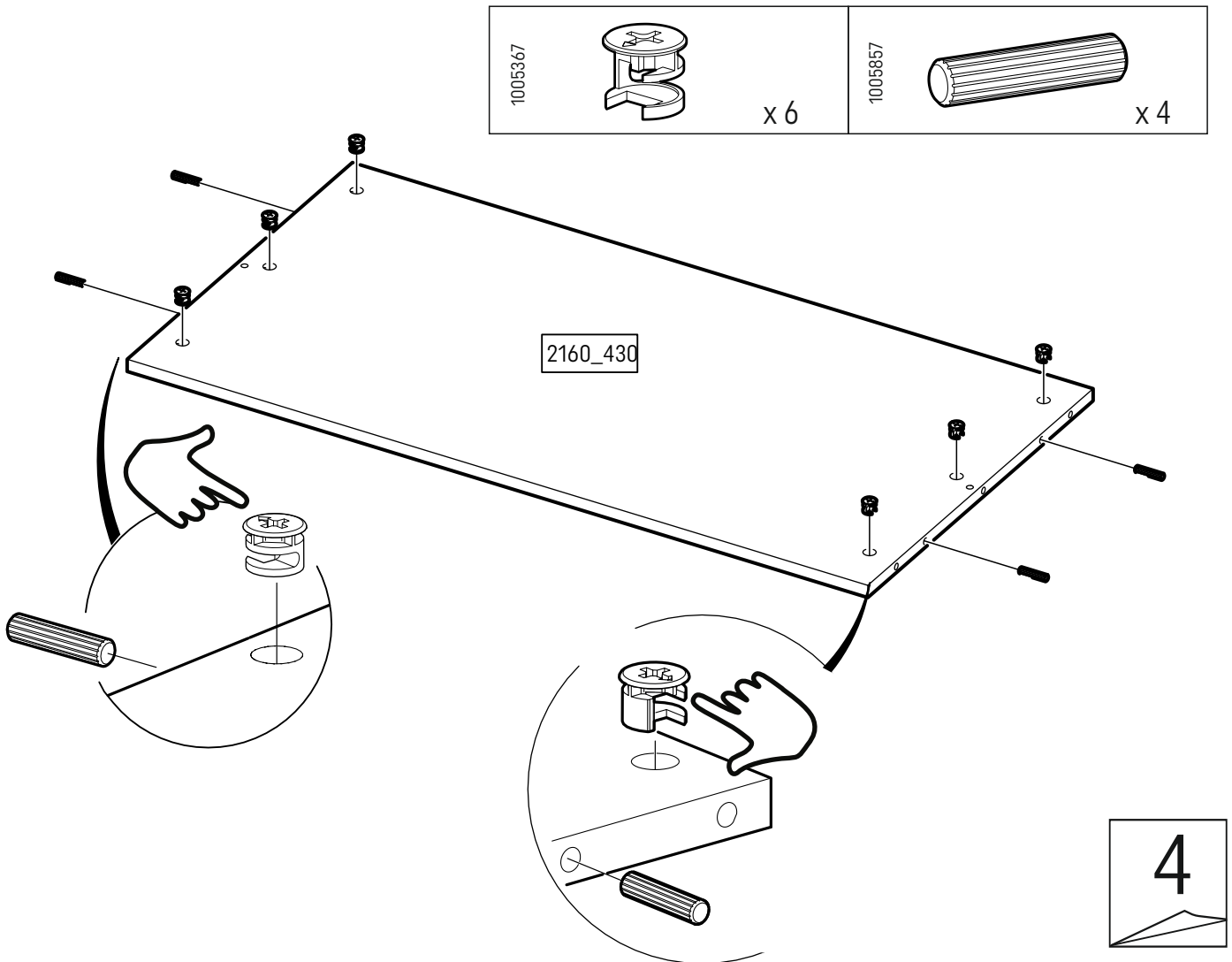
5



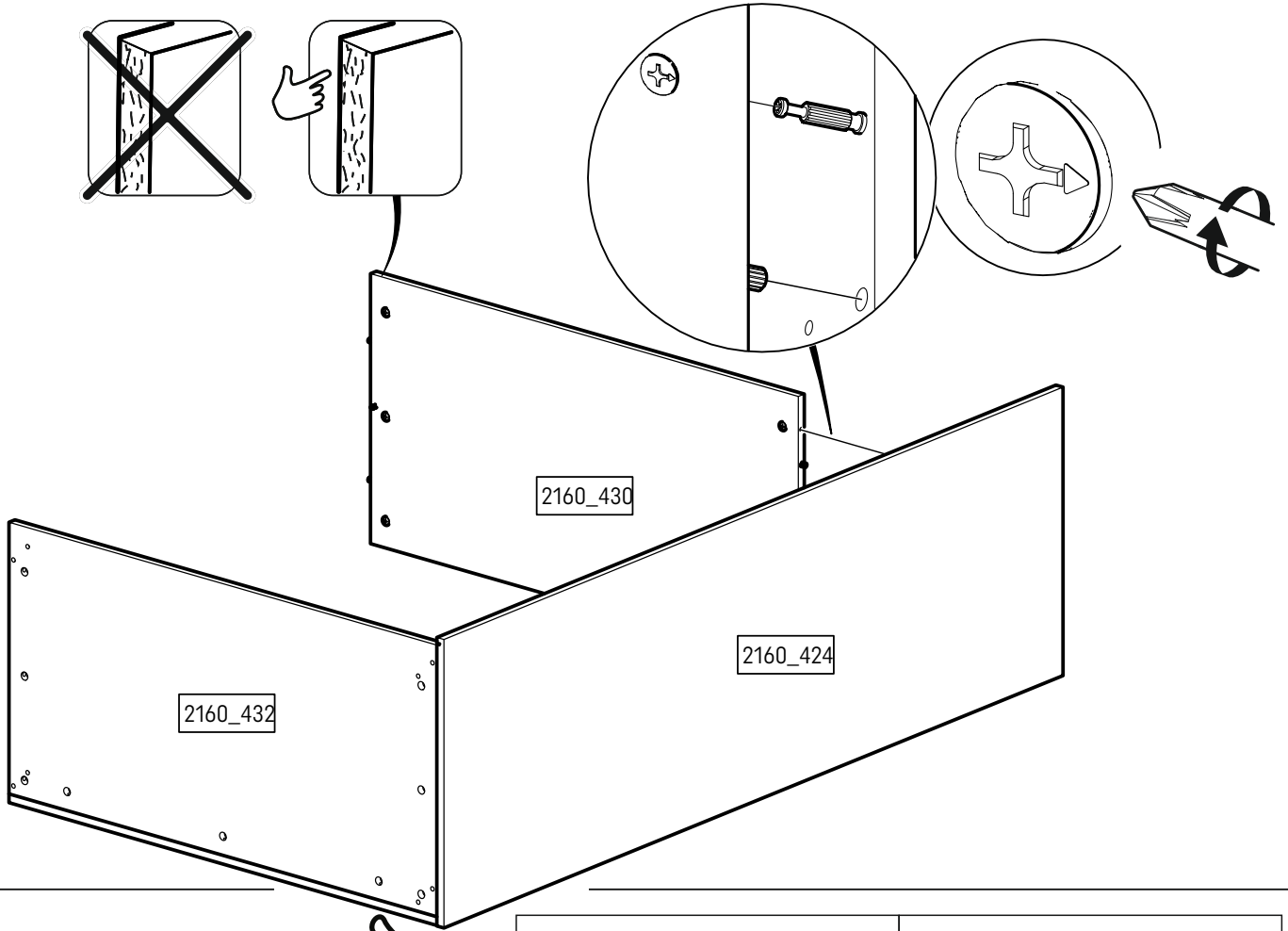
6



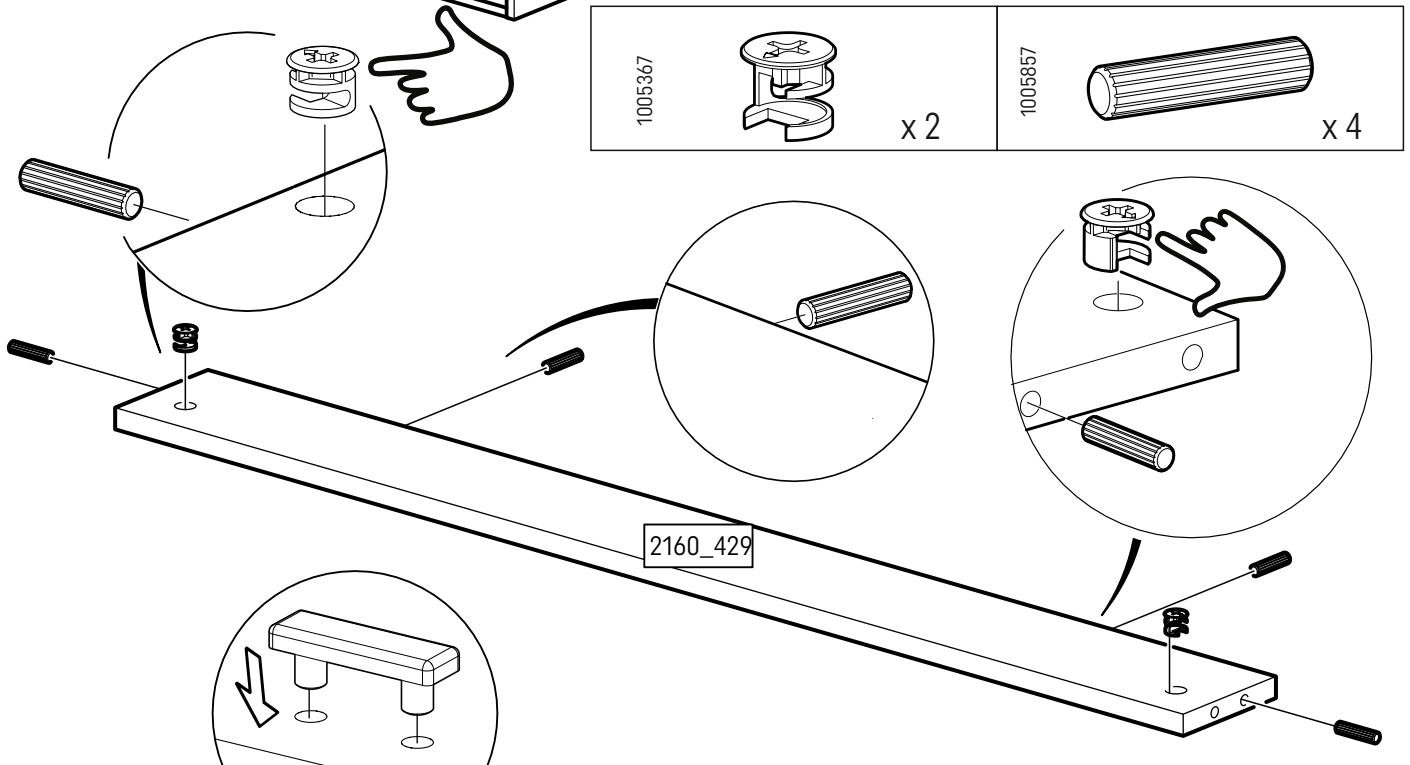
7



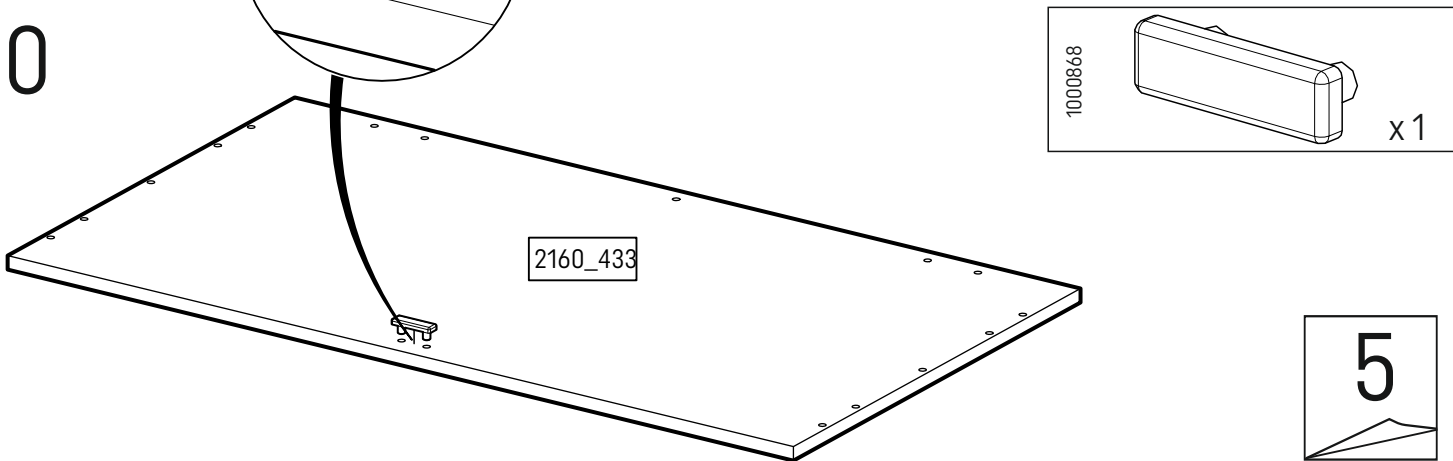
8



9

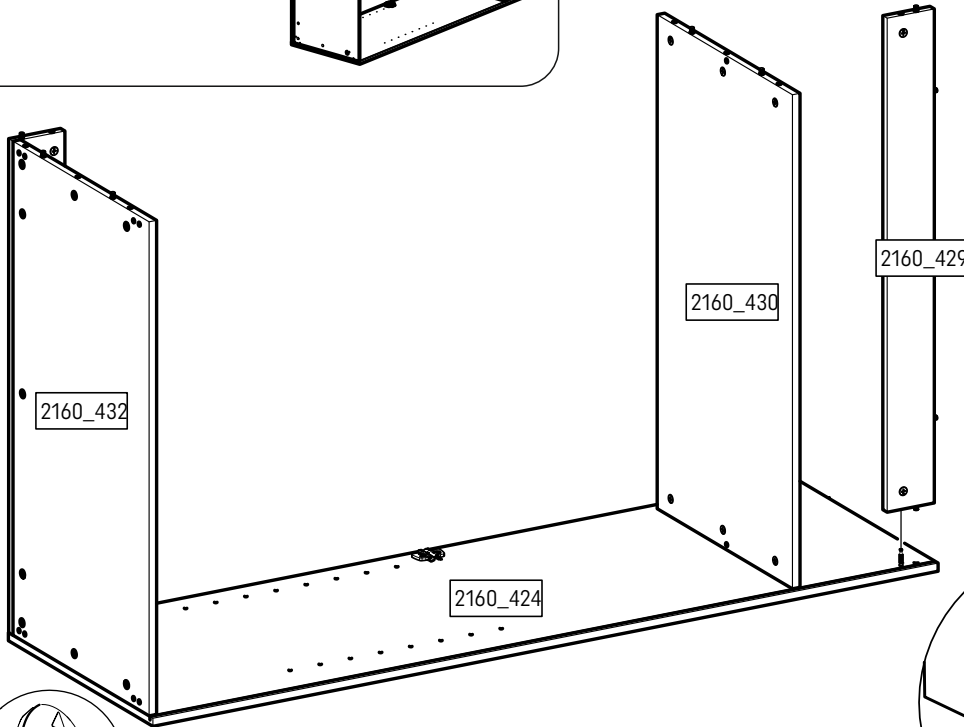
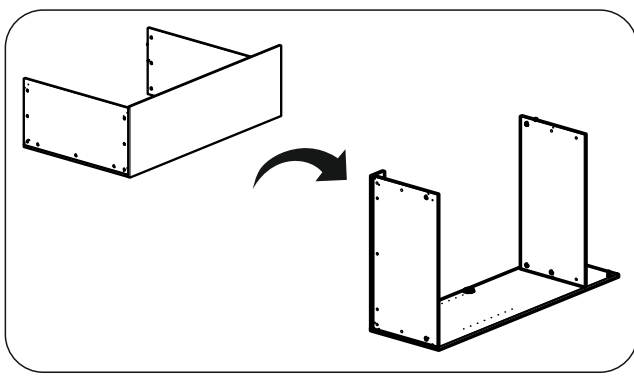


10



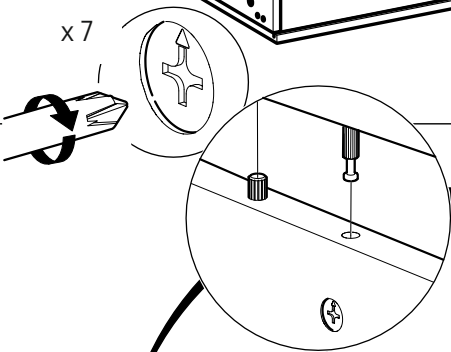
5

11

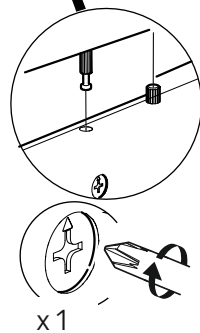
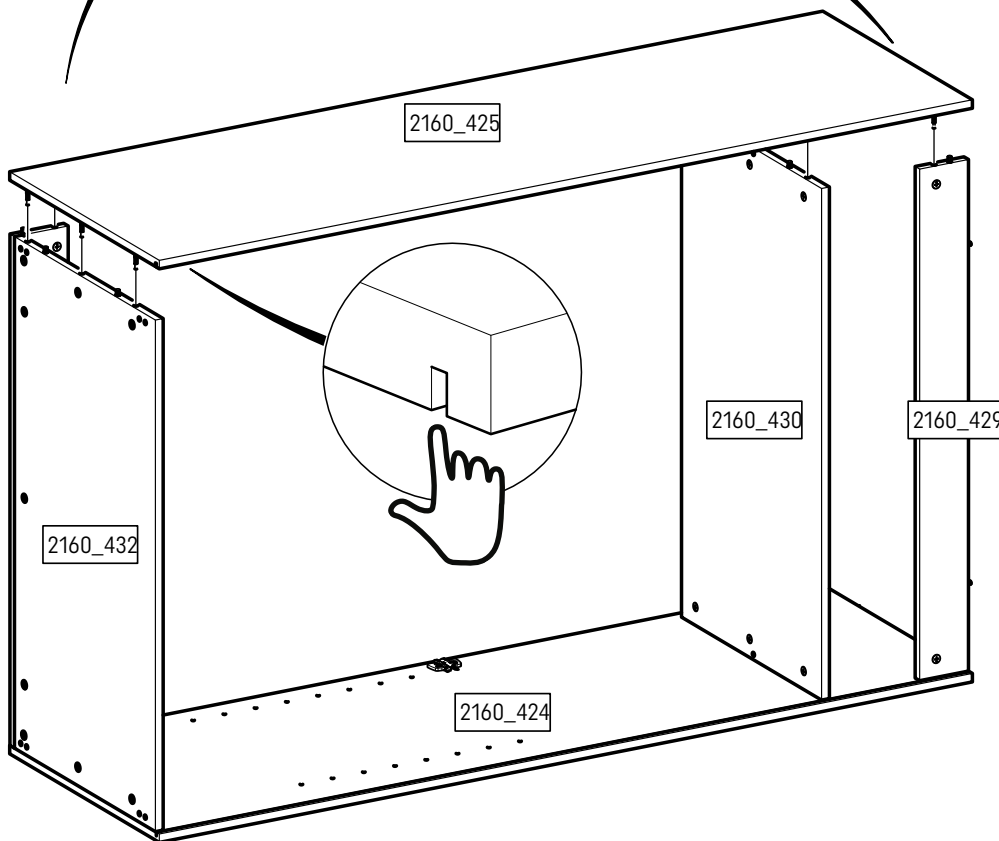
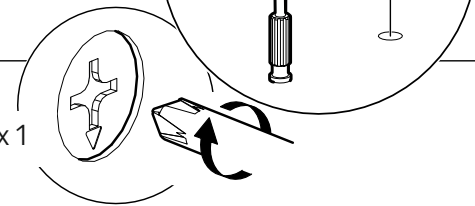


12

x7

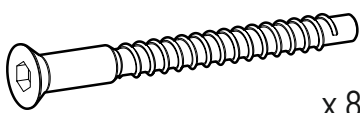


x1

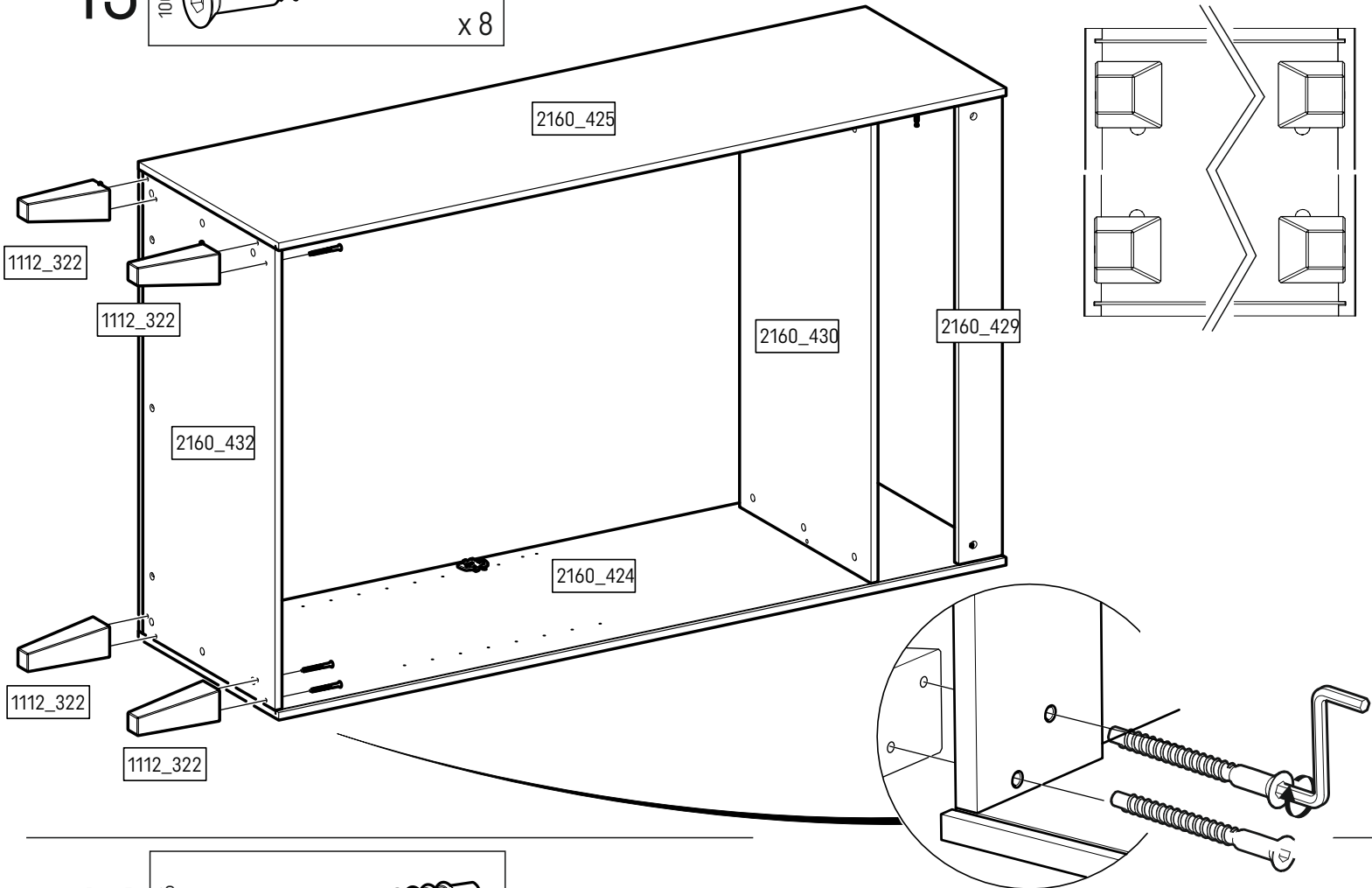


13

1005962

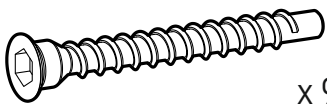


x 8

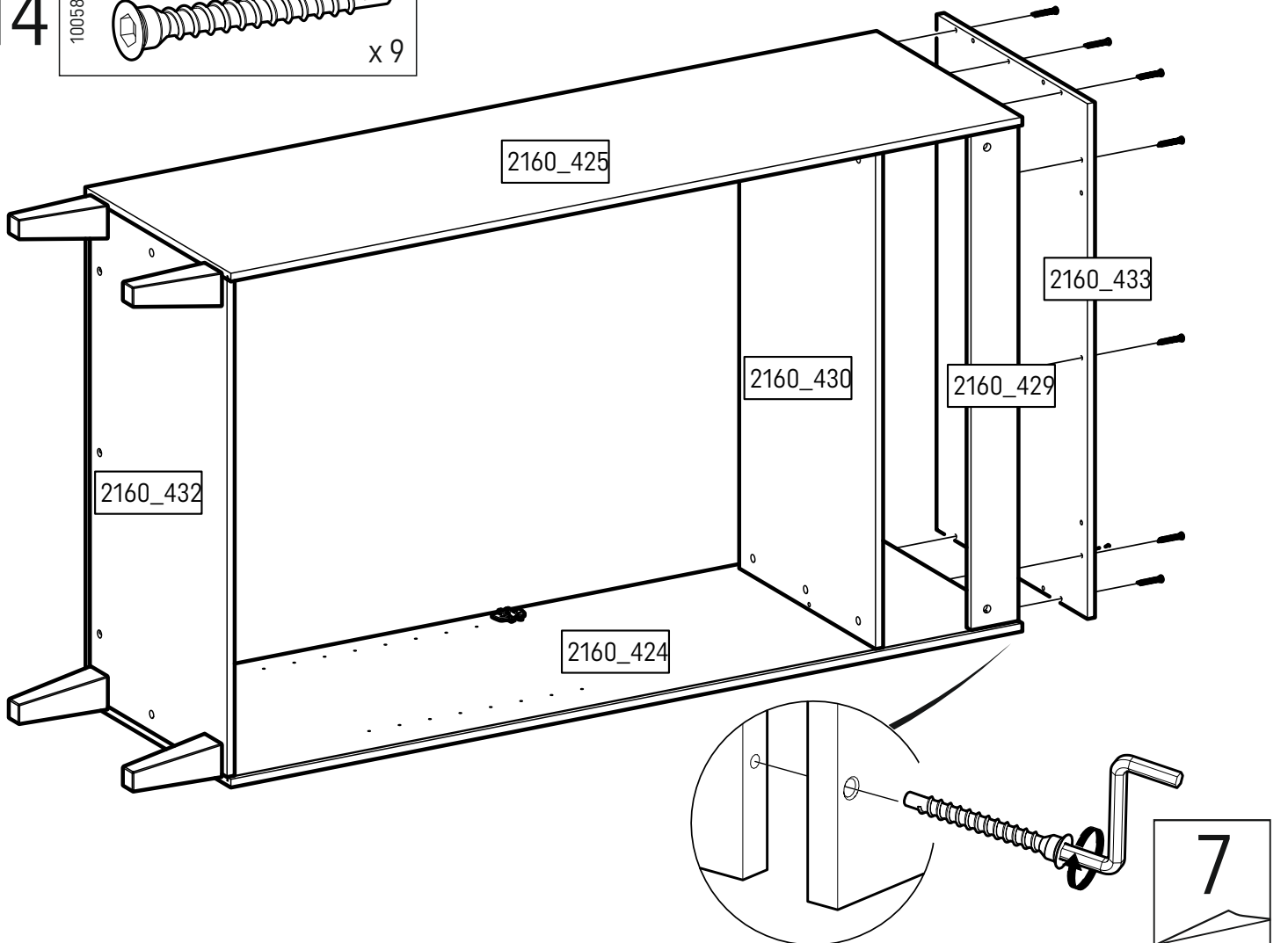


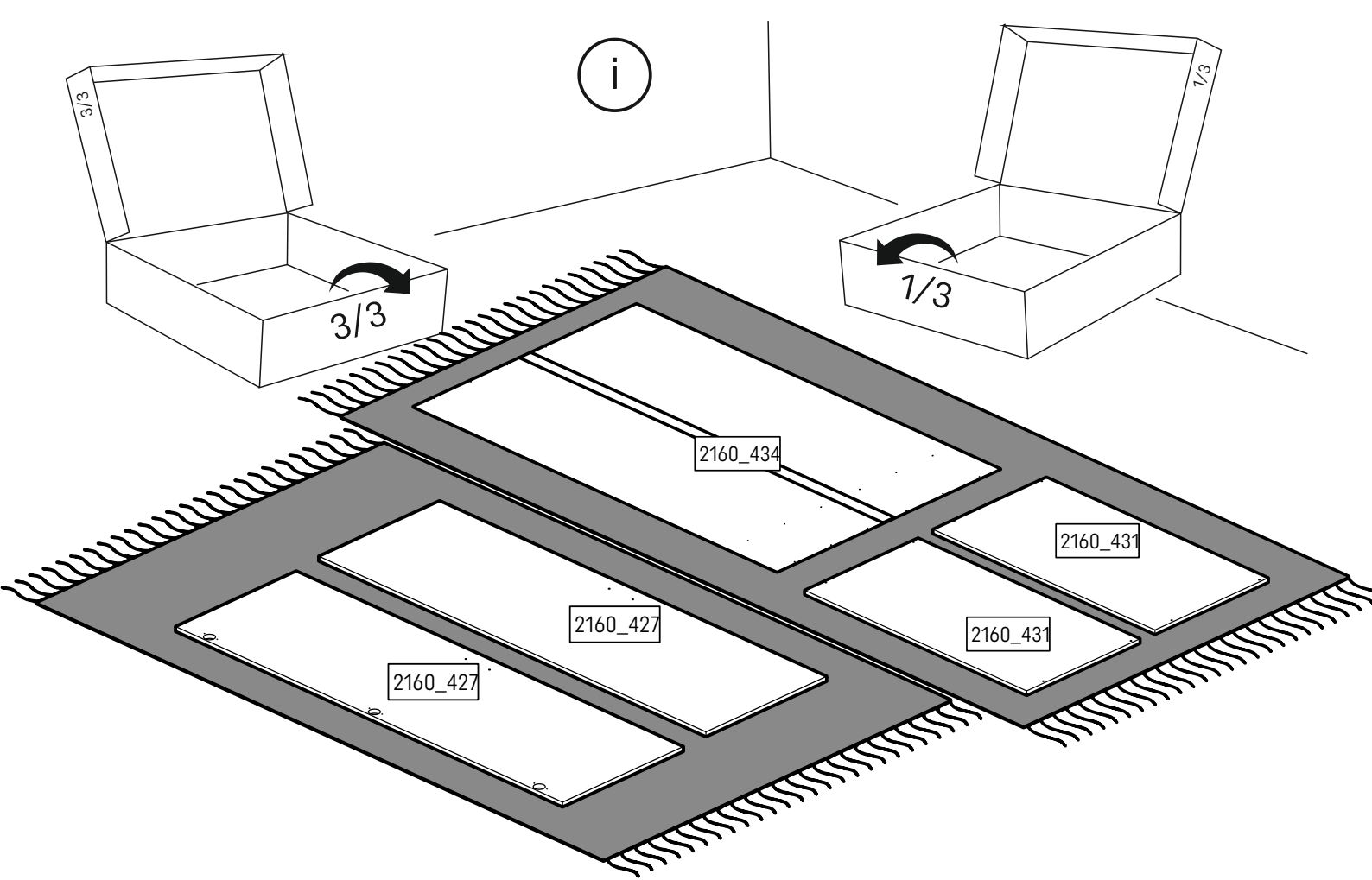
14

1005876

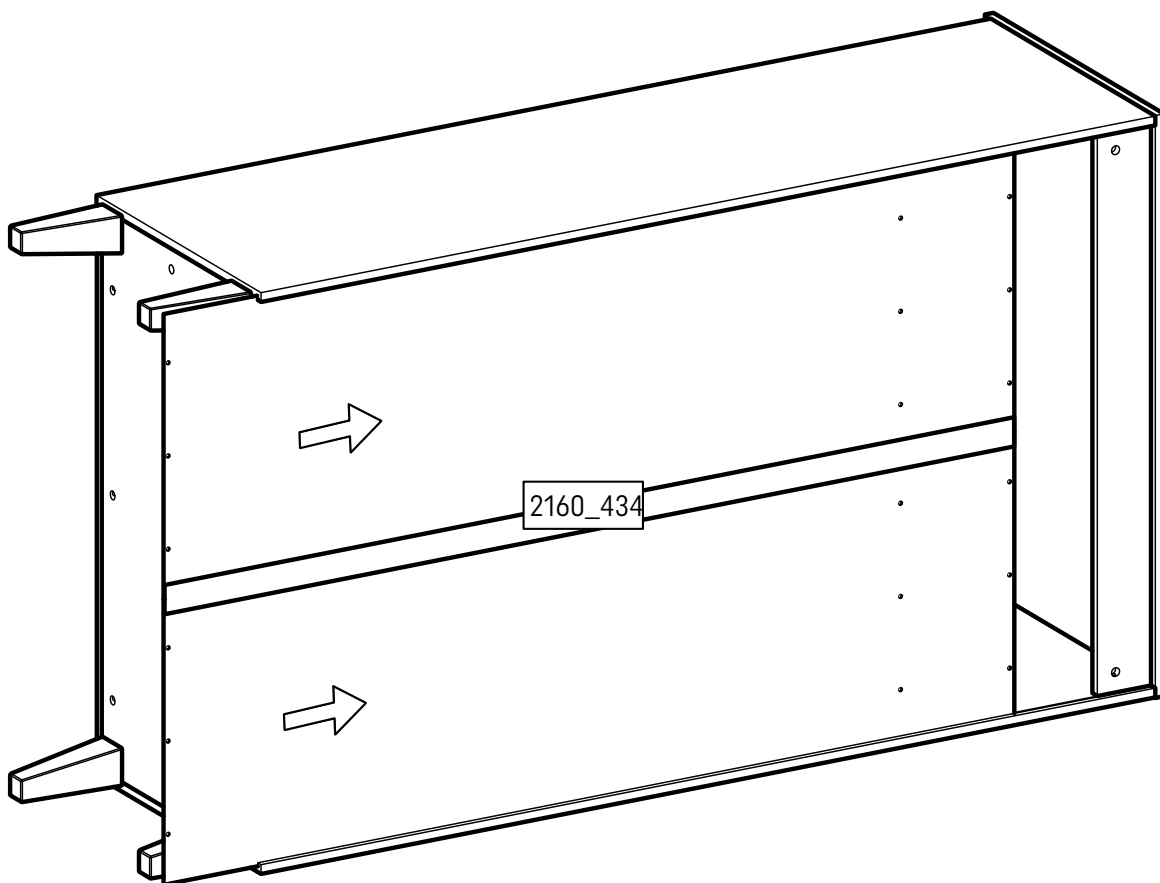


x 9

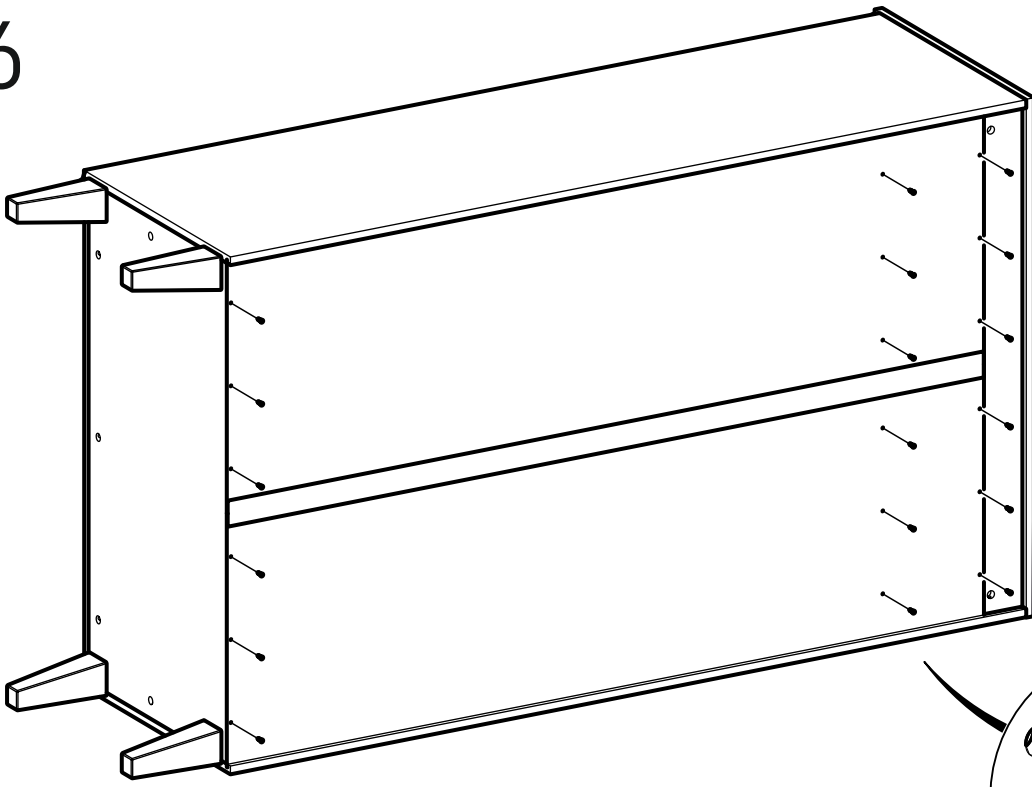




15



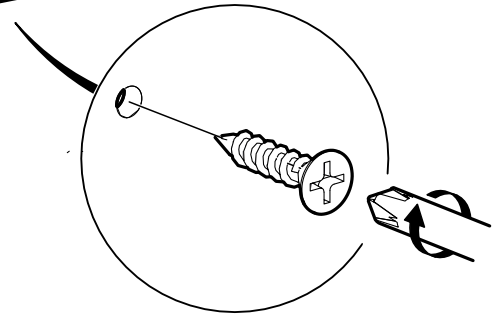
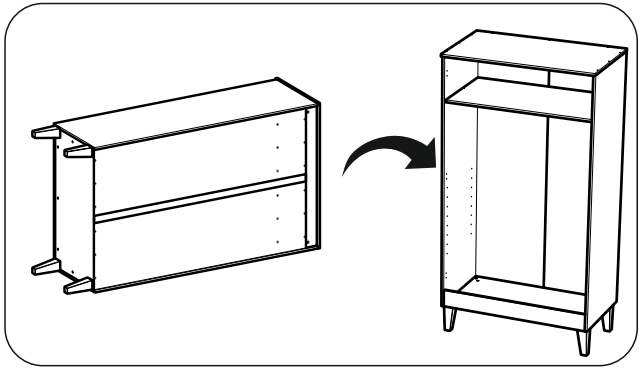
16



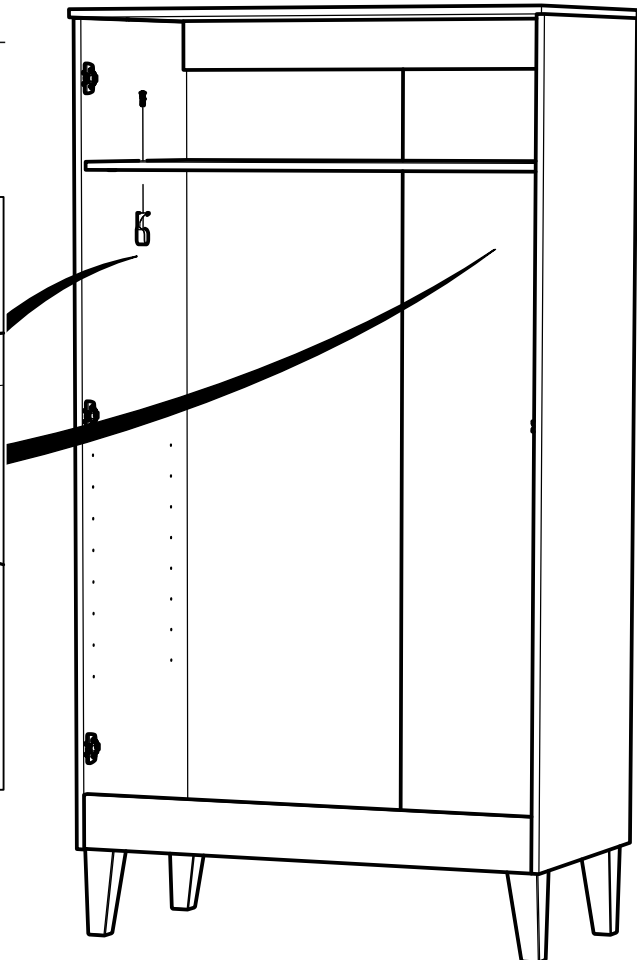
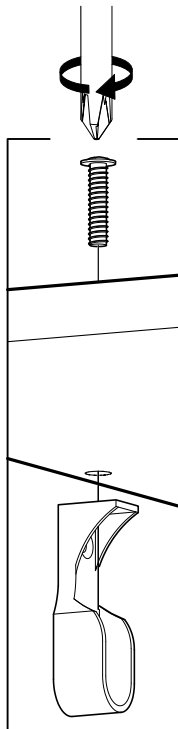
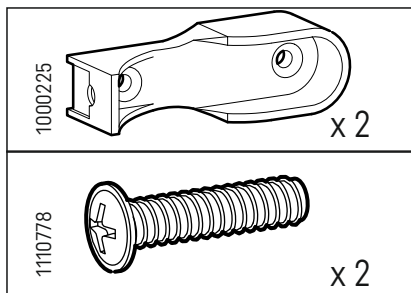
1006012



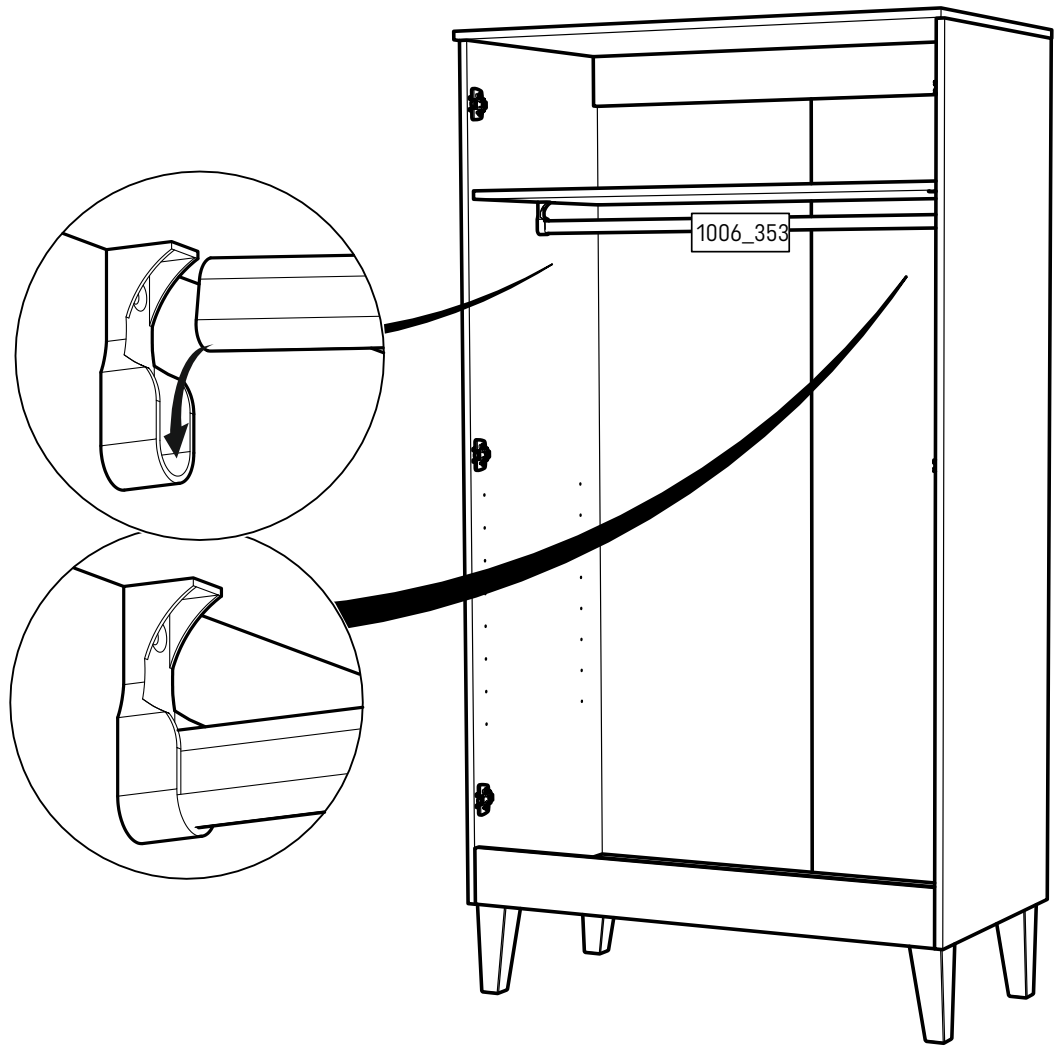
x 18



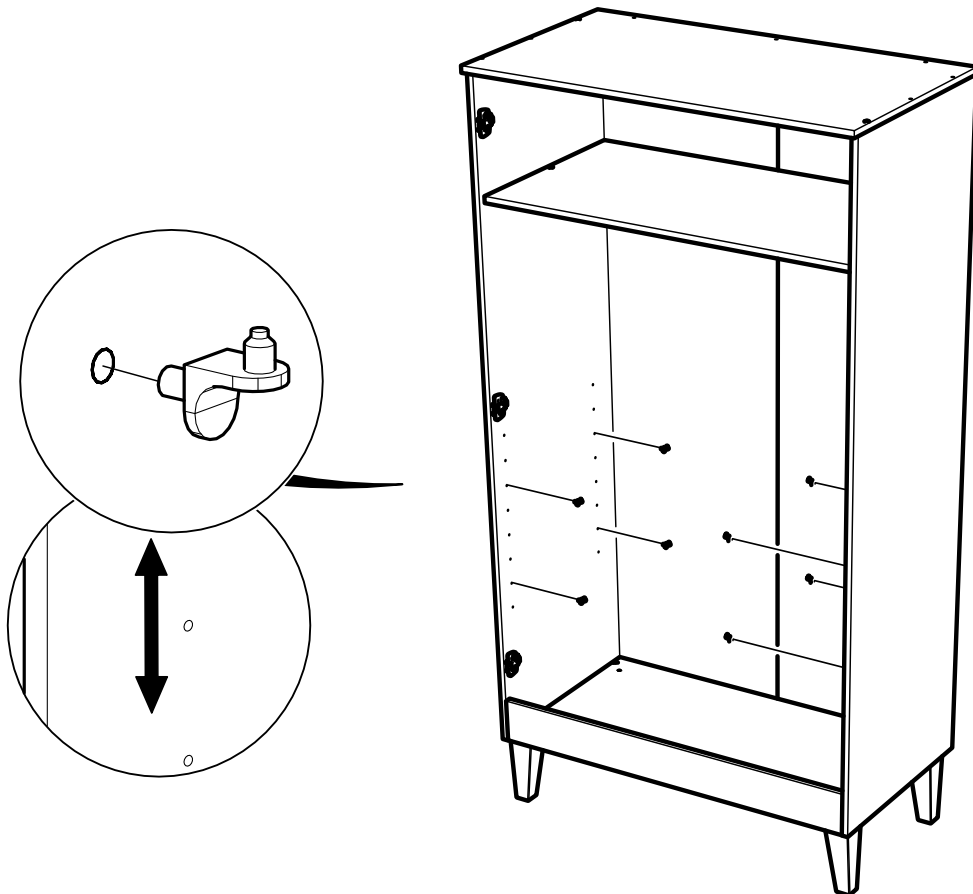
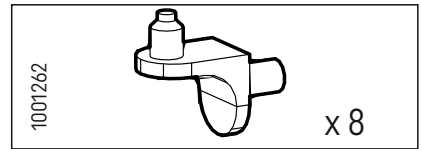
17



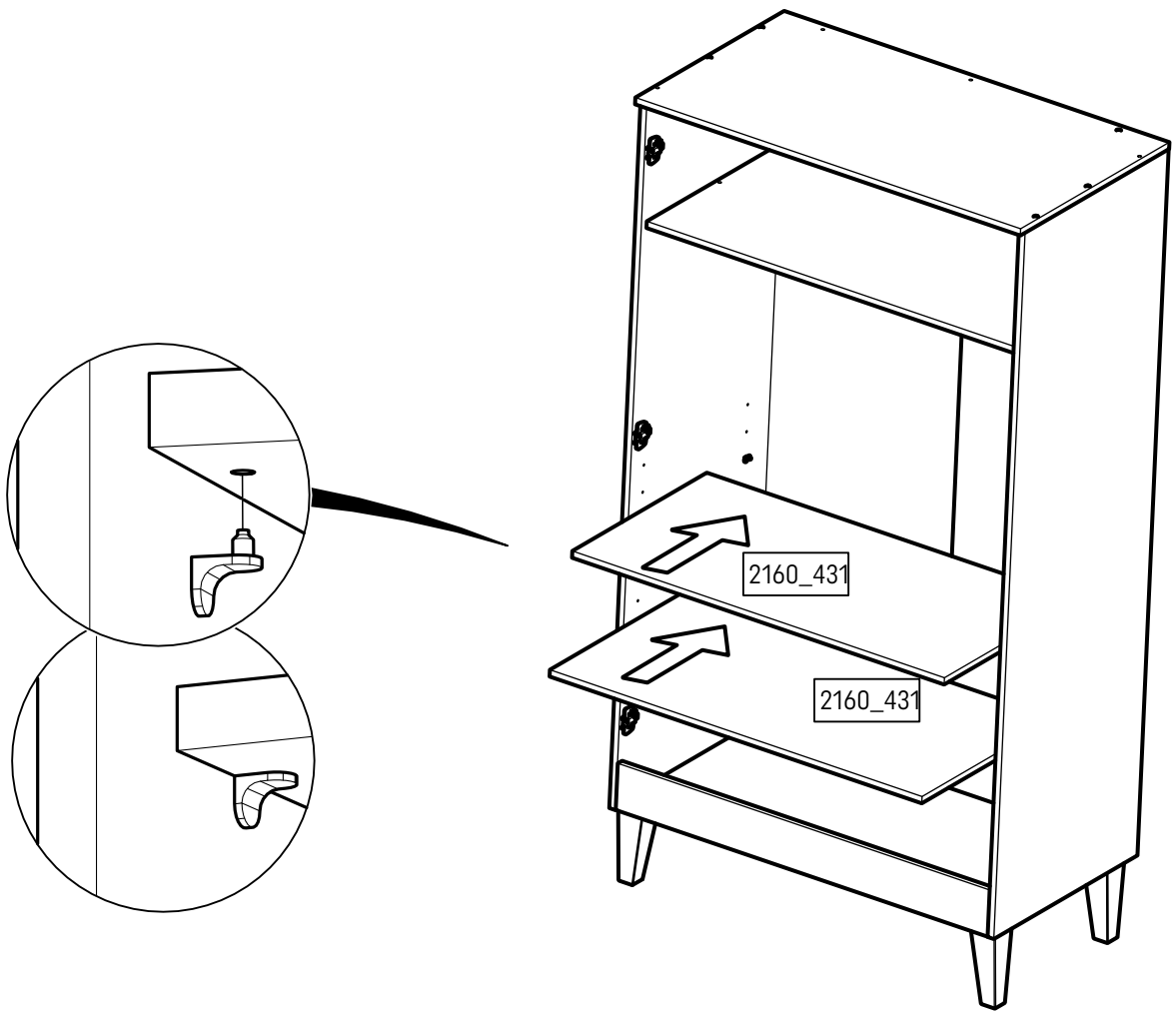
18



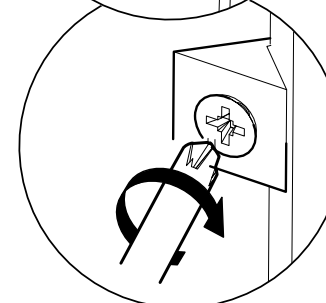
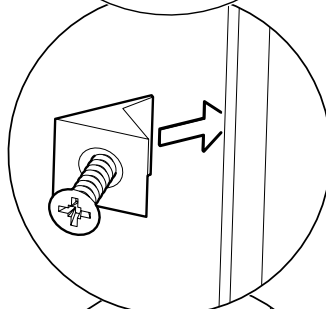
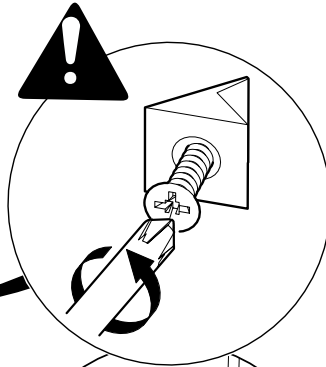
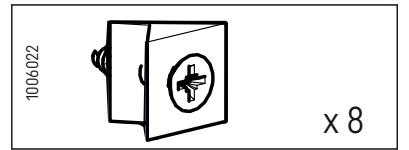
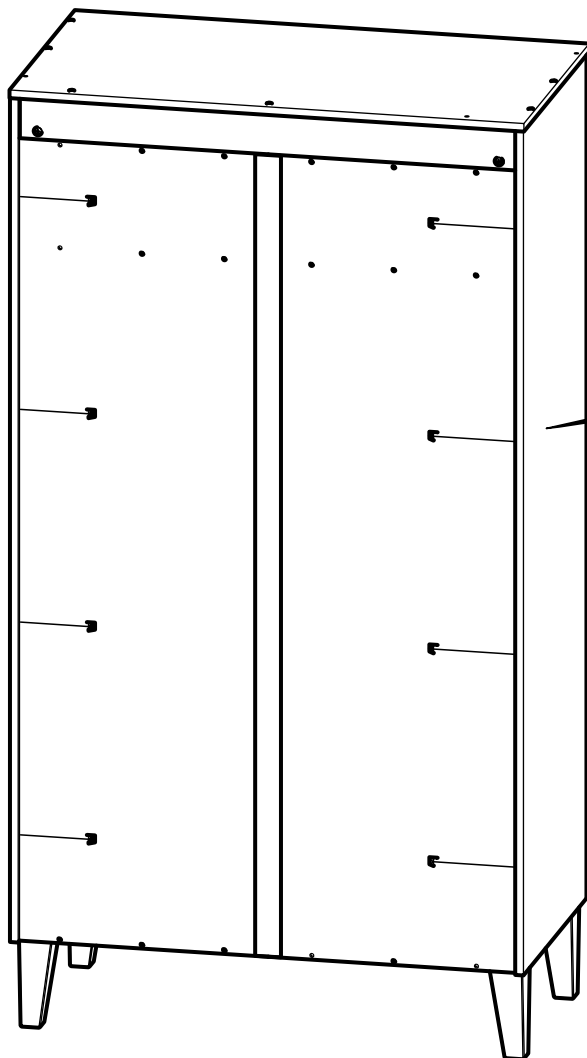
19



20

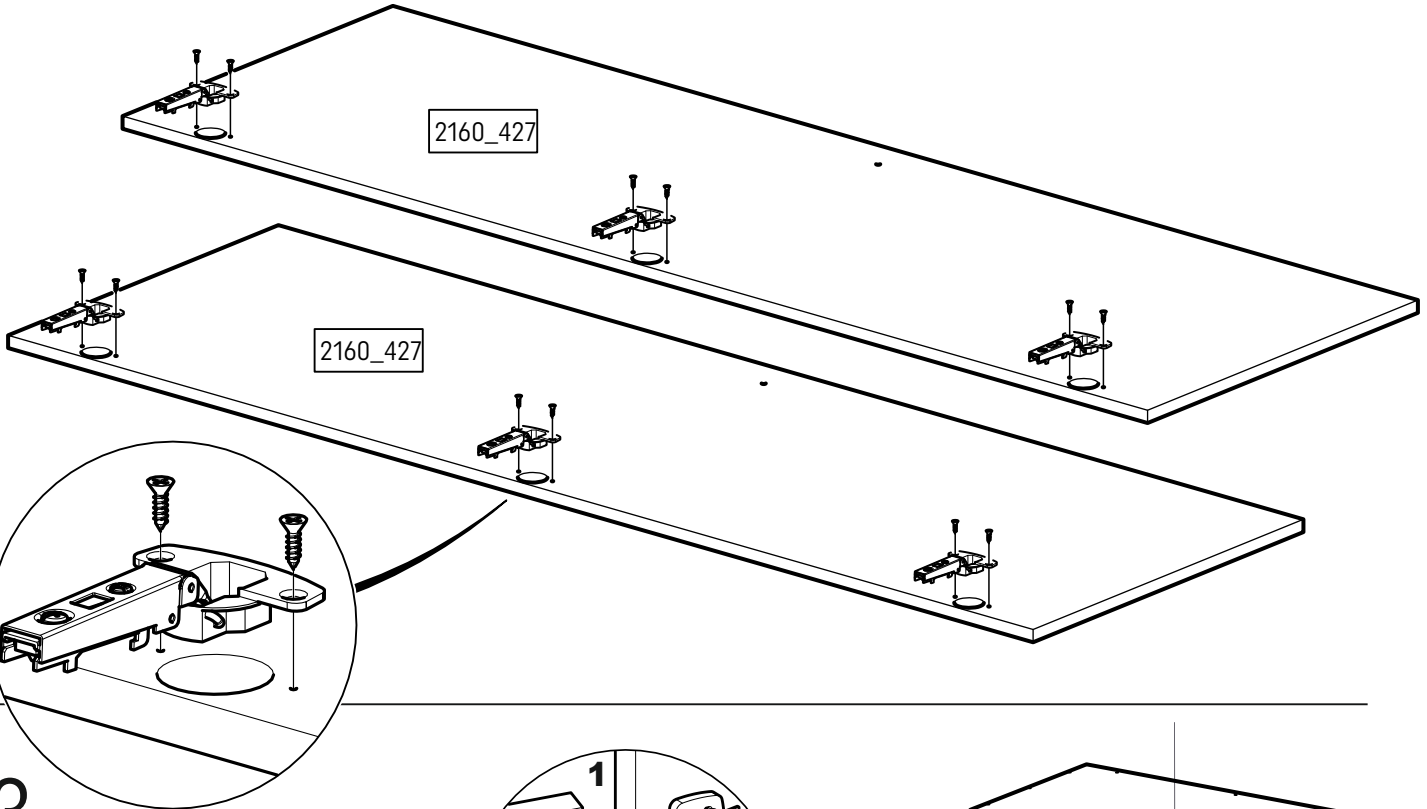
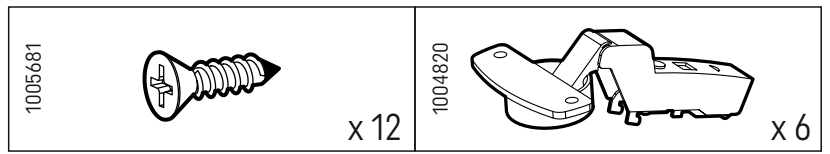


21

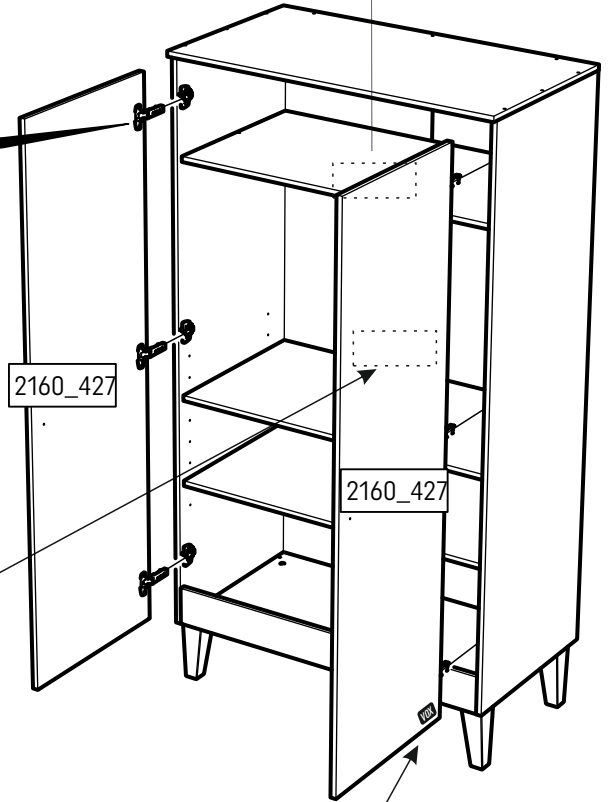
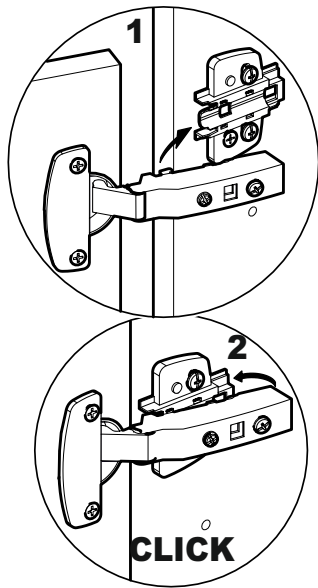


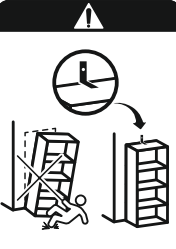
11

22

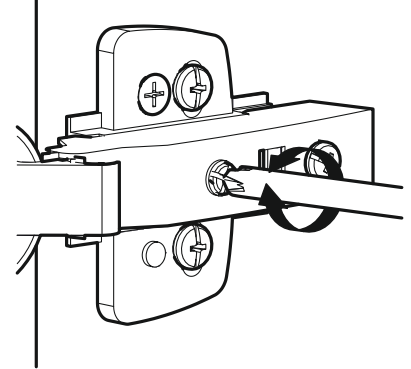
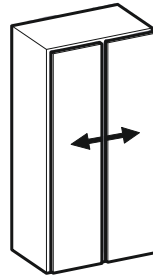
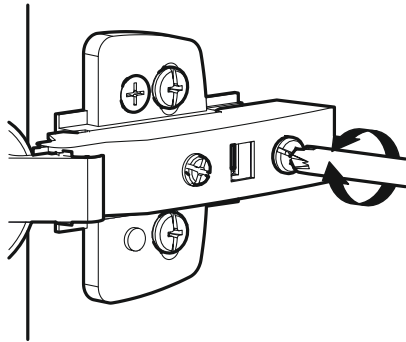
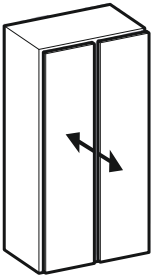
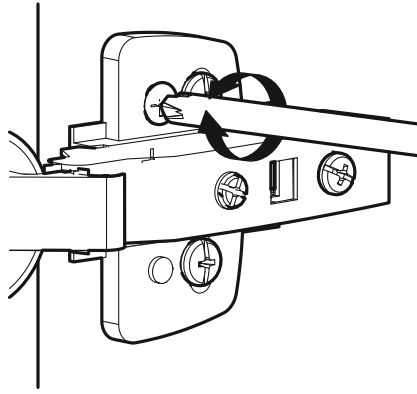
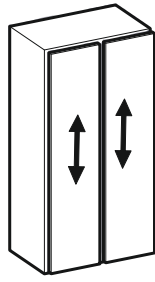


23

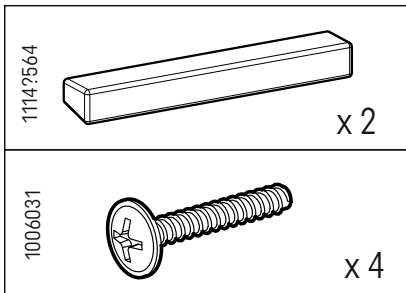


<p>⚠ WARNING</p> <p>Serious or fatal crushing injuries can occur from furniture tip-over. To help prevent tip-over:</p> <ul style="list-style-type: none"> • Install tipover restraint provided. • Place heaviest items in the lower drawers. • Unless specifically designed to accommodate, do not set TVs or other heavy objects on top of this product. • Never allow children to climb or hang on drawers, doors or shelves. • Never open more than one drawer at a time. <p>(OR)</p> <ul style="list-style-type: none"> • Do not defeat or remove the drawer interlock system. <p>Use of tip-over restraints may only reduce, but not eliminate, the risk of tip-over.</p> <p><small>This is a permanent label. Do not attempt to remove.</small></p>	
--	---

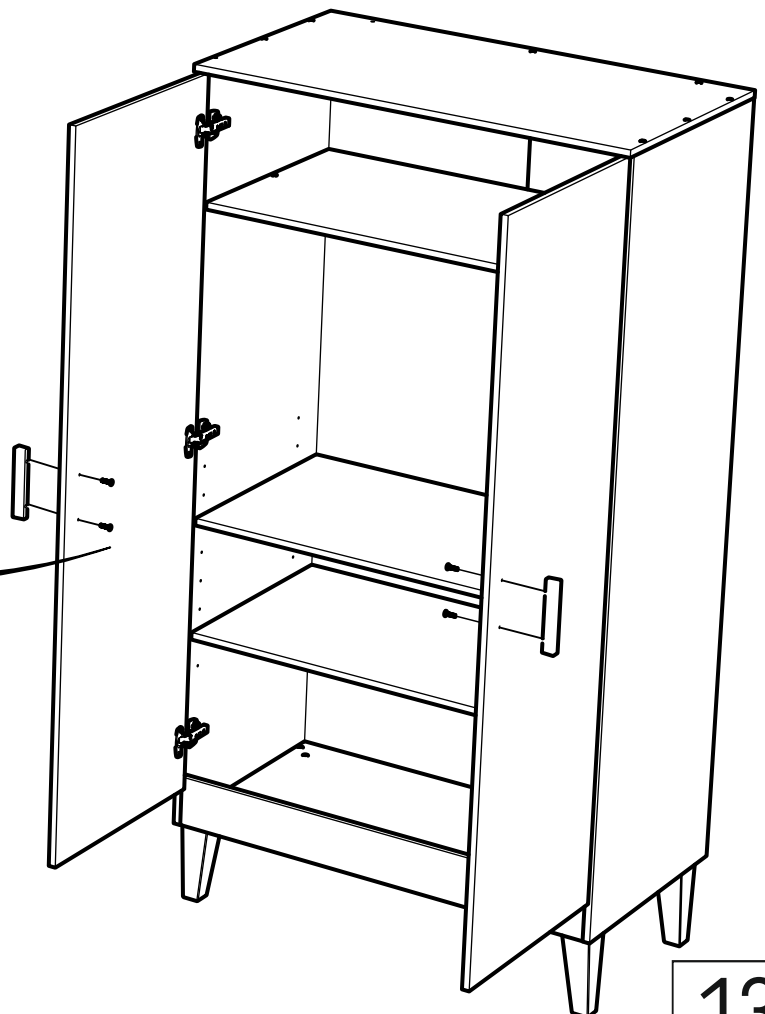
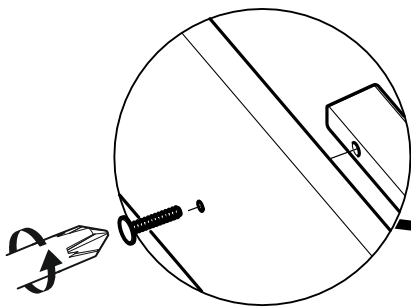
i



24

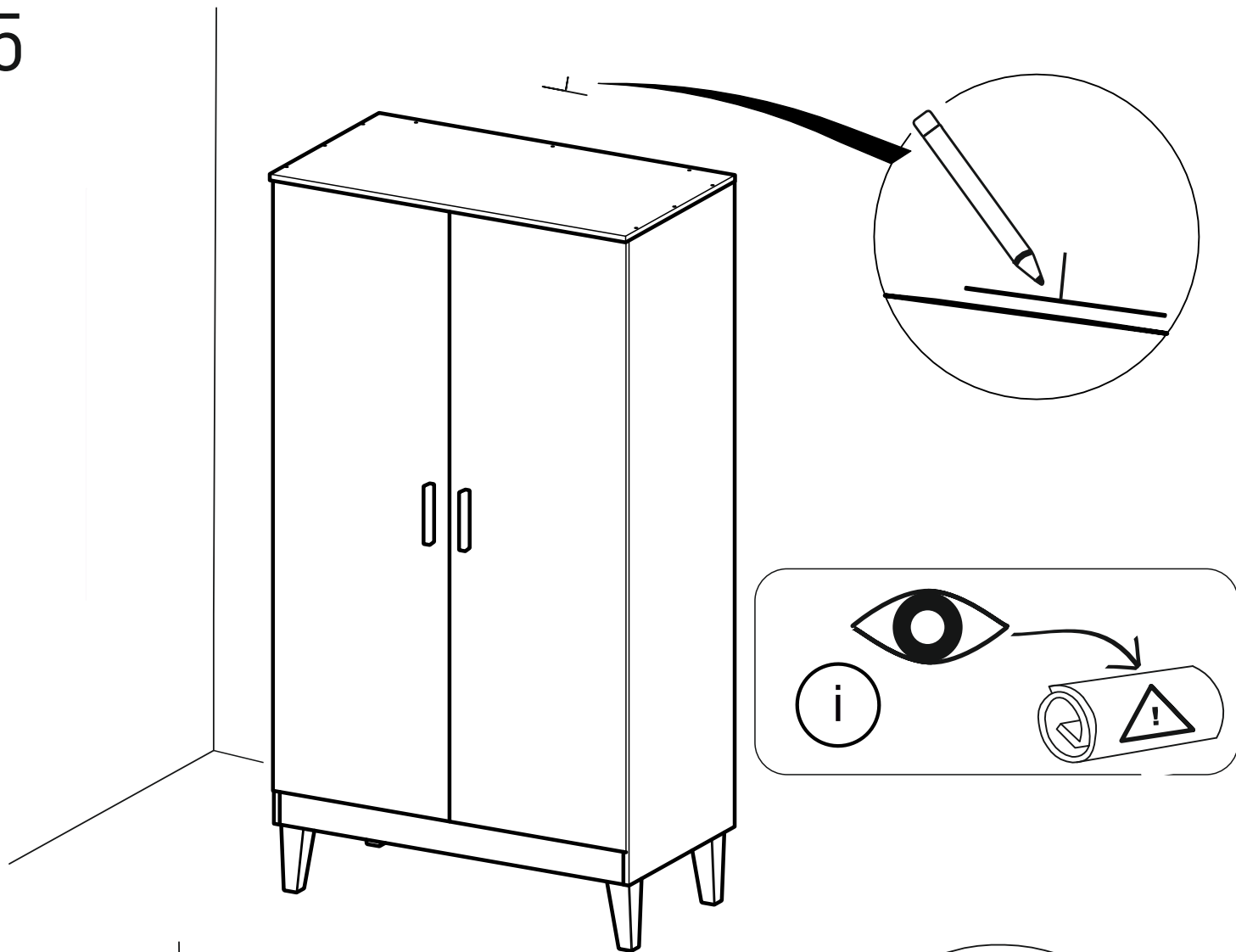


x2

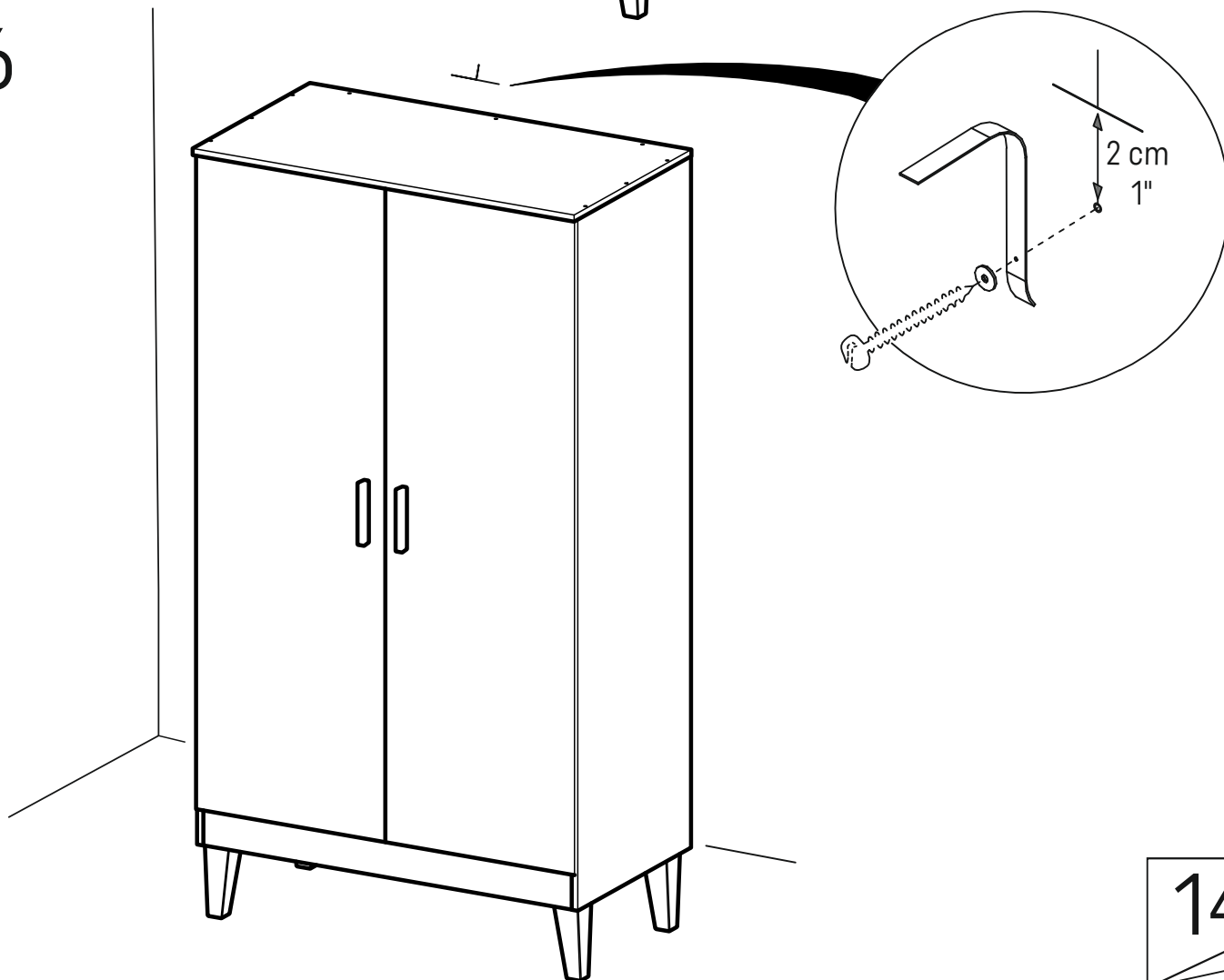


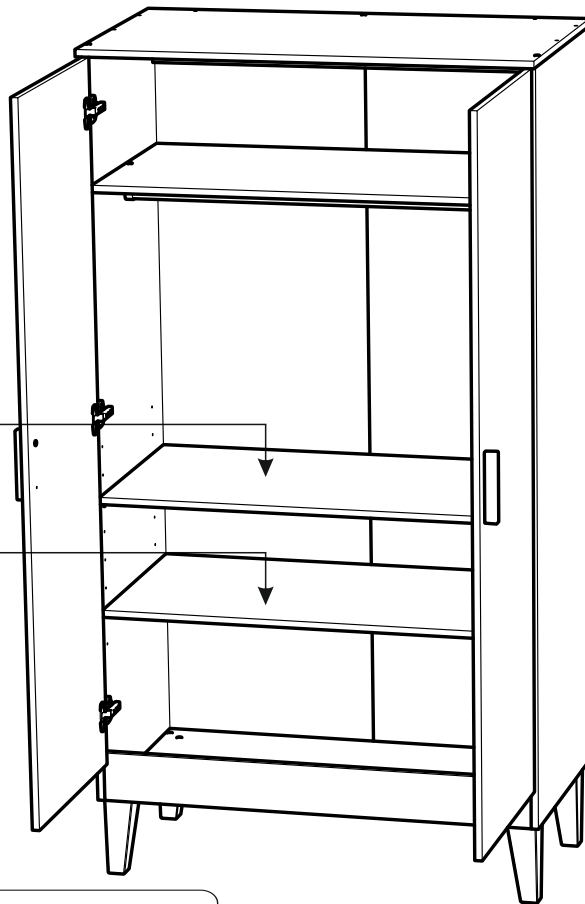
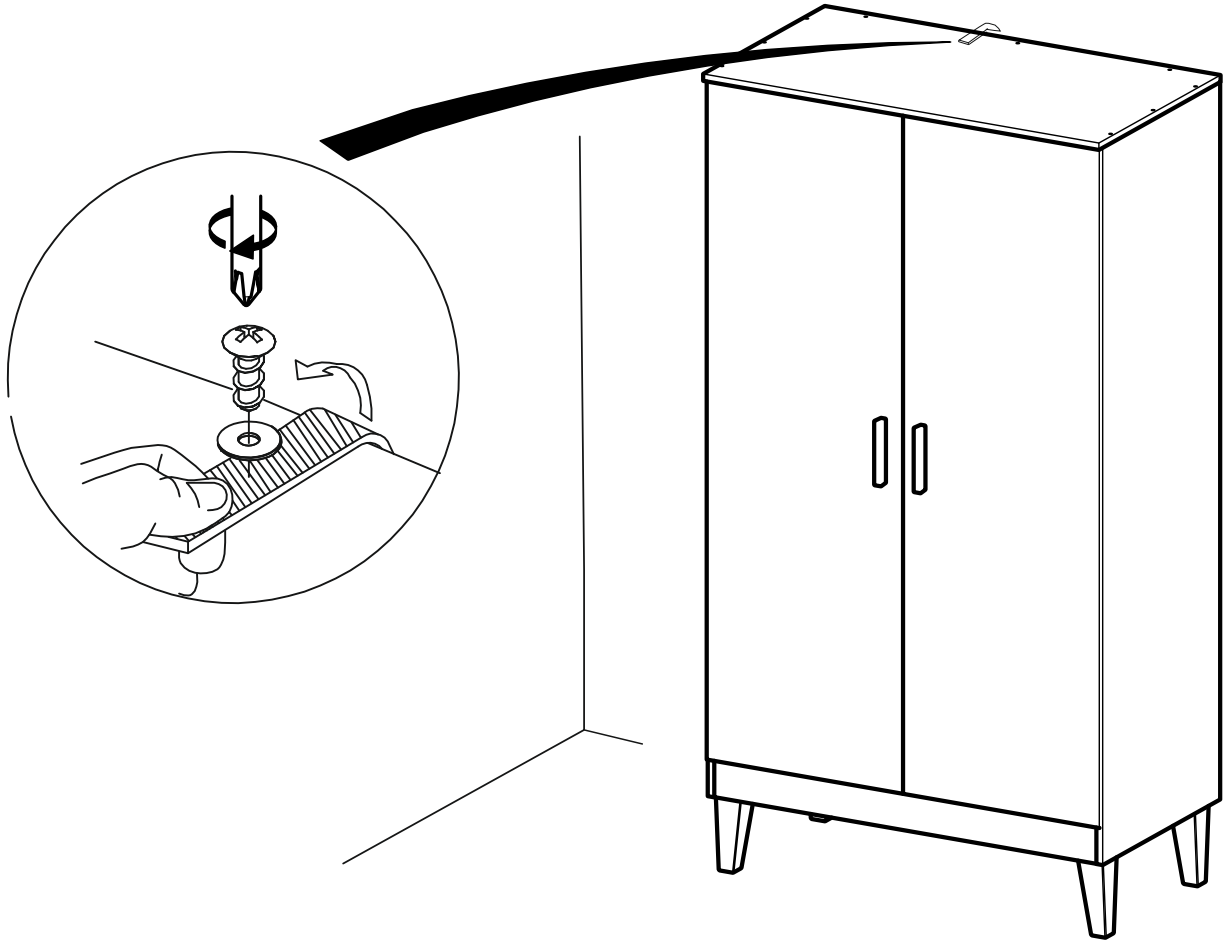
13

25



26






max 20 kg / 44 lb


max 20 kg / 44 lb

