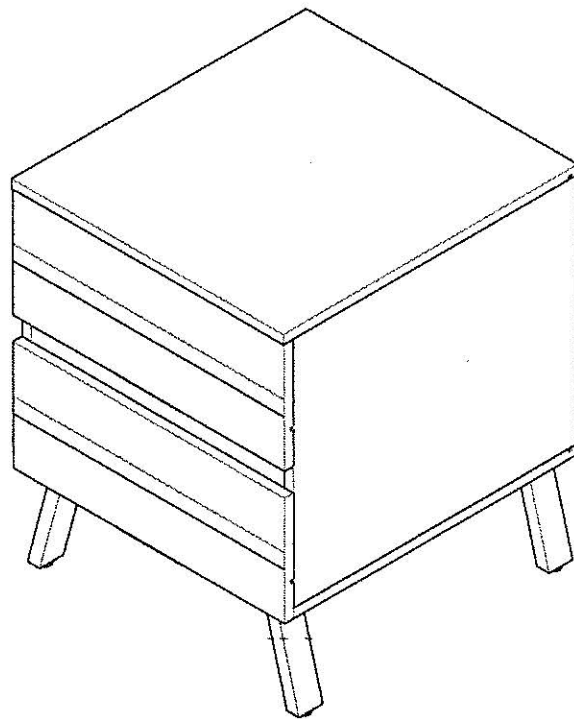
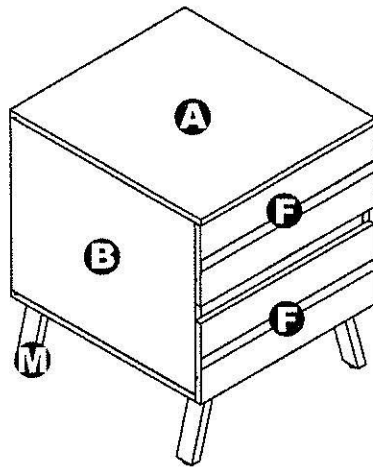


ASSEMBLY INSTRUCTIONS

**END TABLE**

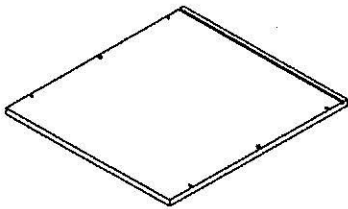




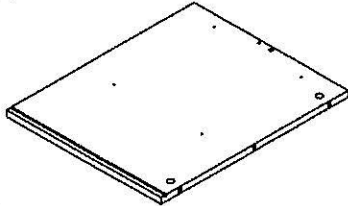
**DIMENSIONS**  
 Width - 18.11"  
 Depth - 19.69"  
 Height - 22.91"

**PARTS LIST**

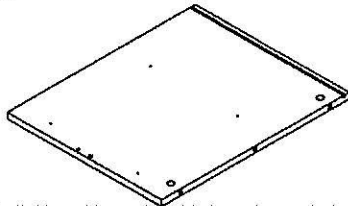
**A** X1



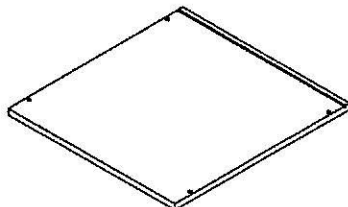
**B** X1



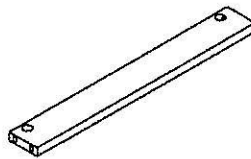
**C** X1



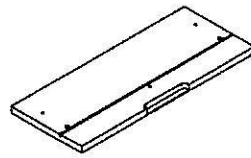
**D** X1



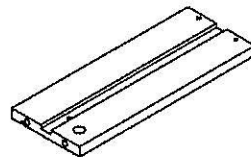
**E** X1



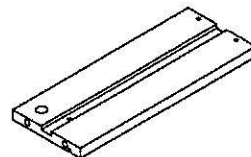
**F** X2



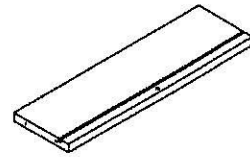
**G** X2



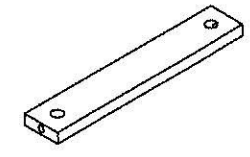
**H** X2



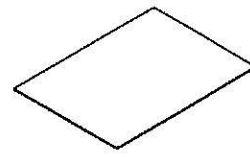
**I** X2



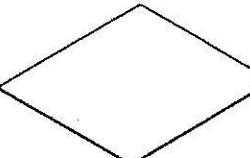
**J** X2



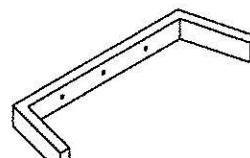
**K** X2



**L** X1

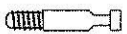


**M** X2



**HARDWARE LIST**

**1** X14



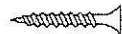
**2** X14



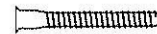
**3** X8



**4** X8



**5** X4



**6** X4



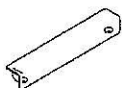
**7** X8



**8** X4



**9** X2



**10** X4



**11** X4



**12** X4



**13** X4

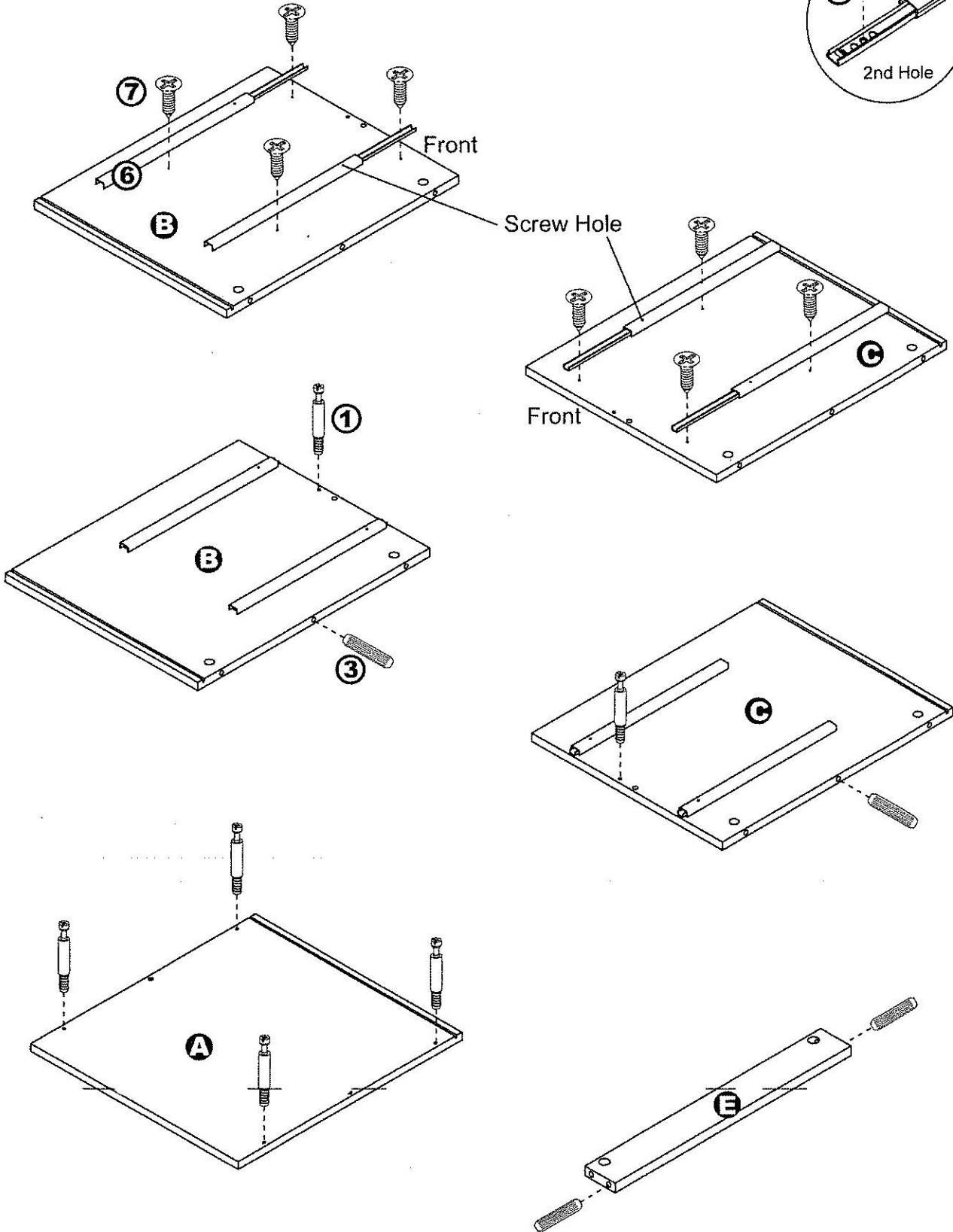
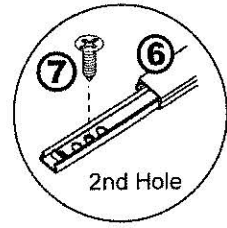


**14** X6

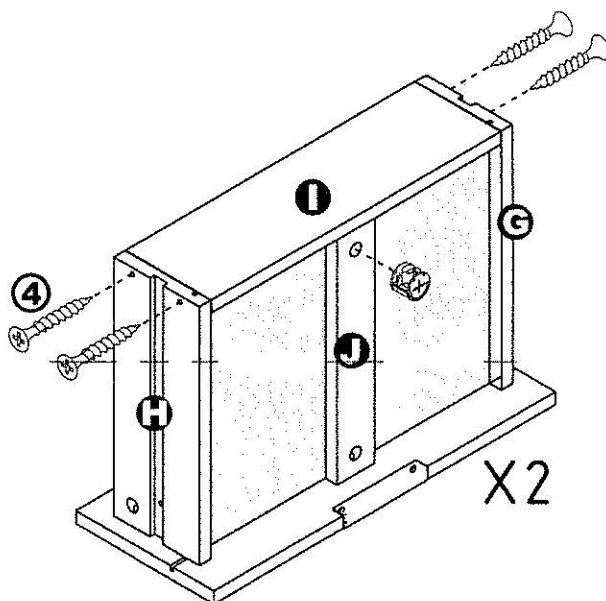
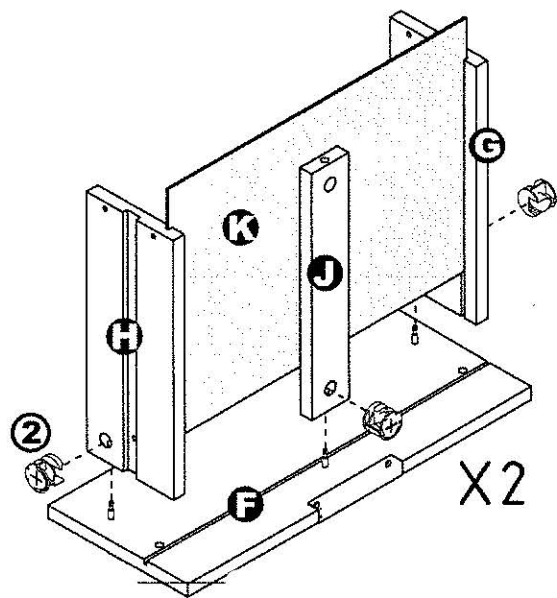
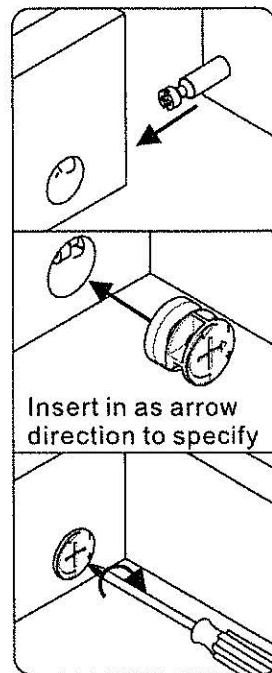
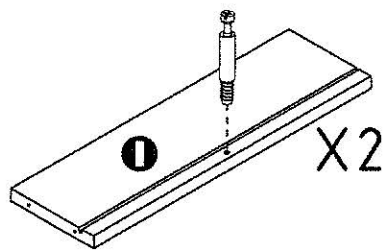
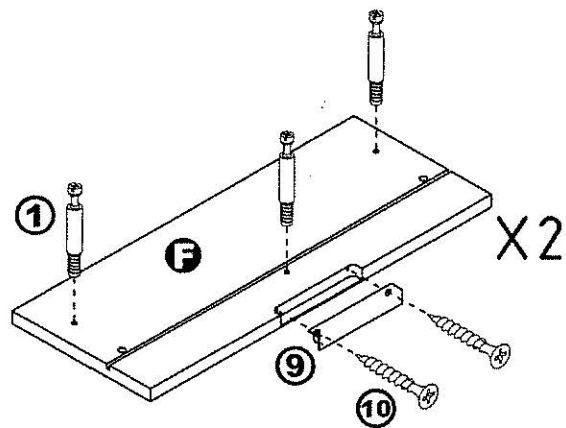
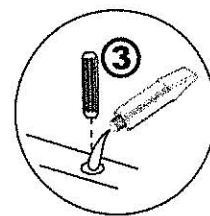
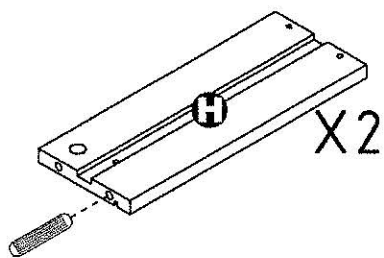
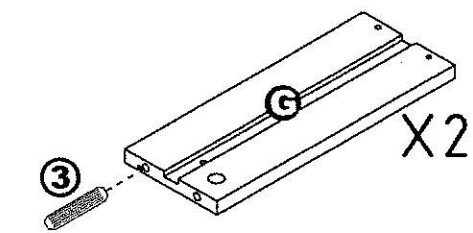


# Step 1.

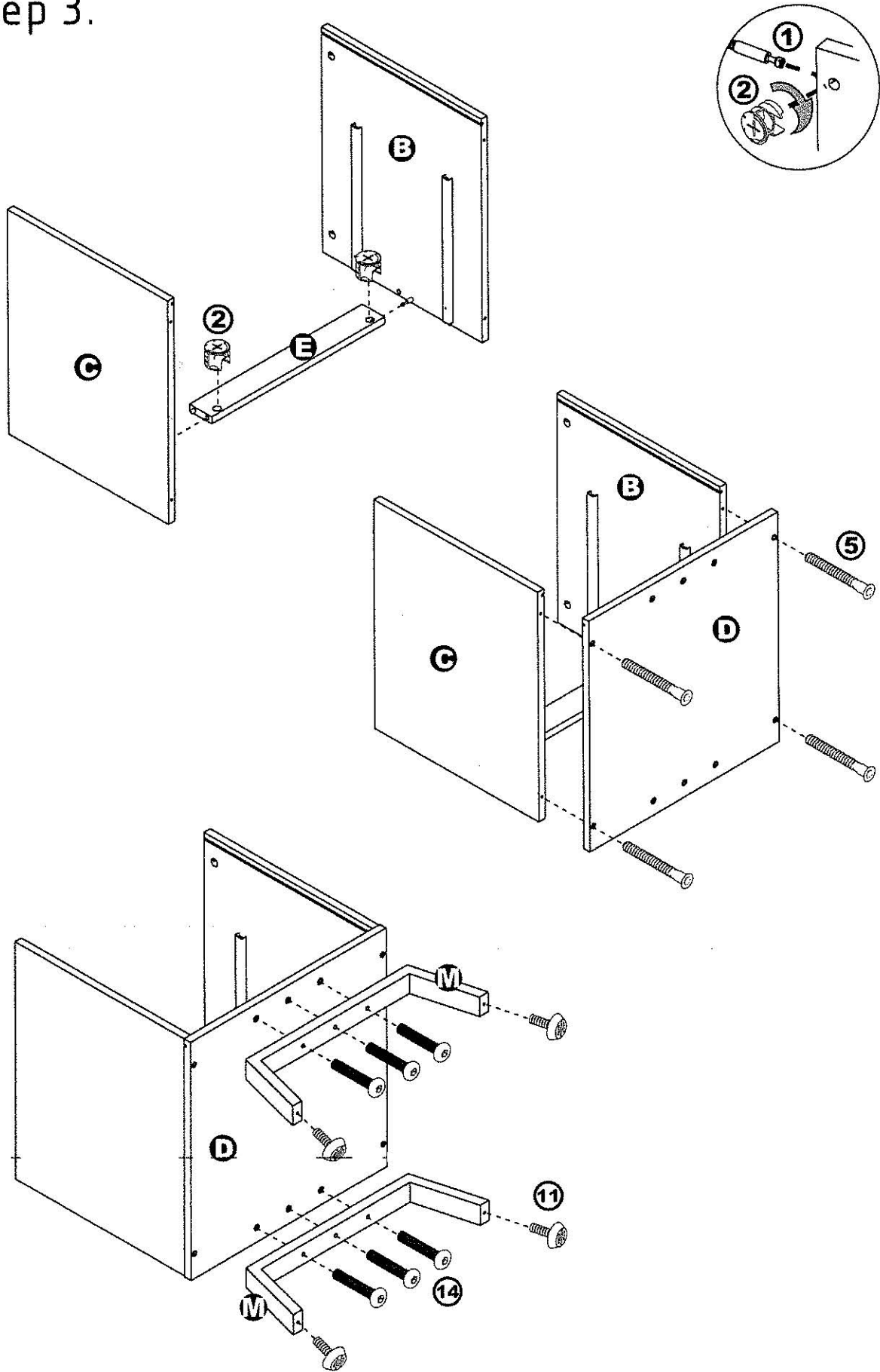
Push runner to see screw holes on the other end



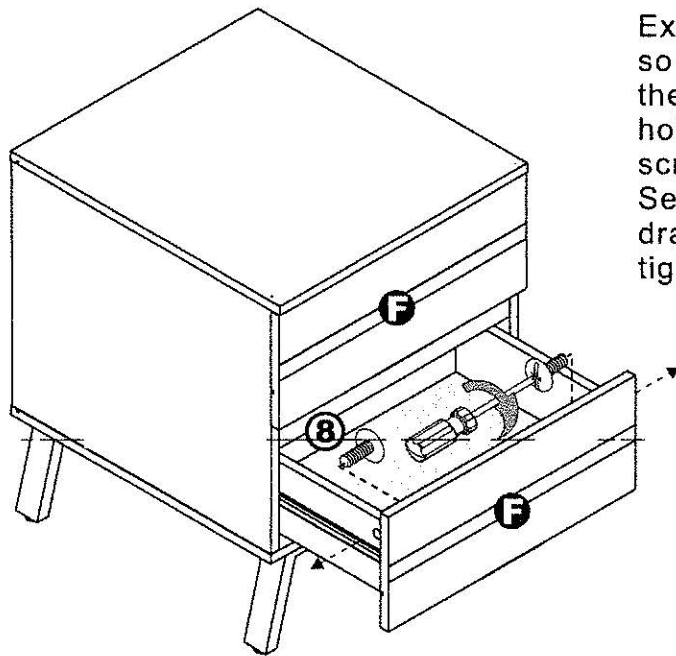
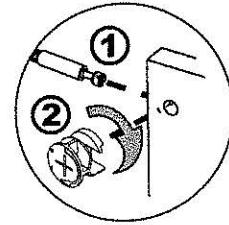
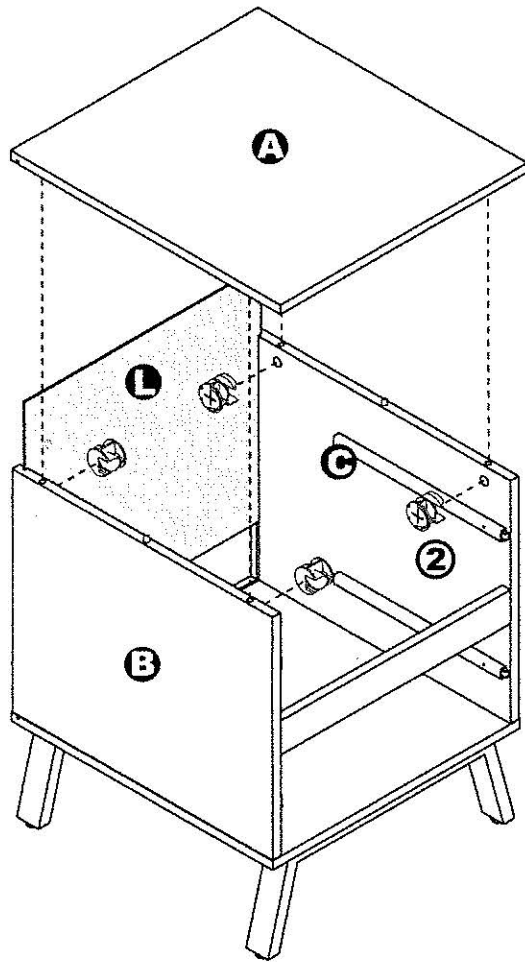
# Step 2.



# Step 3.

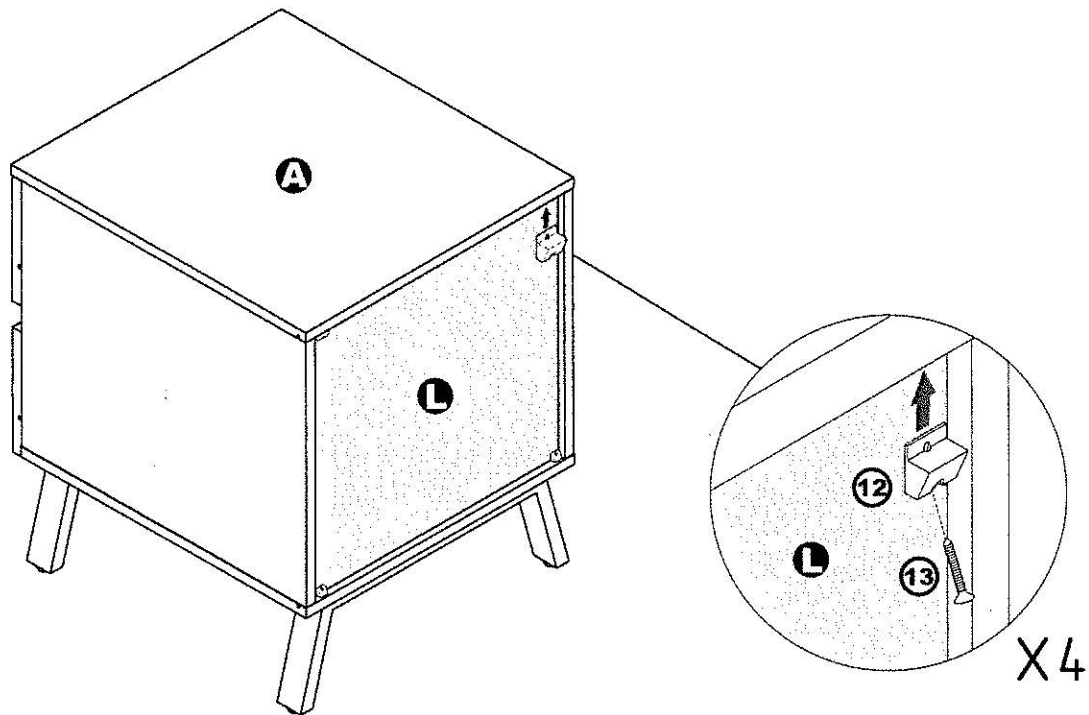


# Step 4.



Extend the two outer slides of the runners so that they could align with the sides of the drawer. Make sure the pre-drilled holes from the drawer align with the screw holes of the outer slides. Secure two screws from the inside of the drawer using a Phillips screwdriver to tighten them to the outer slides.

## Step 5.



### **ASSEMBLY IS COMPLETED**

Make sure the product is rested on a flat surface and does not feel loose or wobbly. If it does, double check that the bolts/screws are secured and properly tightened.