



*Sofa*

# ASSEMBLY INSTRUCTIONS

## *Guidelines*

Thank you for selecting an Elle Decor Collection piece!

Our primary objective is to provide fast, friendly customer service to all of our customers. We are here to help if you have any questions, comments, or are in need of warranty replacement parts.

Please call us toll free at: 1-855-372-2315 U.S.  
0-800-051-6775 U.K.

U.S. Monday - Friday 6:00am - 5:00pm PST,  
U.K. Monday - Friday 2:00pm - 1:00am U.K. Time

Or visit our website:  
[www.truecustomersupport.com](http://www.truecustomersupport.com)  
**[www.trueinnovations.com](http://www.trueinnovations.com)**

### **FAILURE TO FOLLOW THESE WARNINGS WHEN IN USE COULD RESULT IN INJURY**

- Do not stand on the item or use as a step ladder
- The piece (if chair or sofa) has been tested and approved for users weighing up to 250 lbs (113kg) per seat.
- Do not use this item unless all bolts and screws are firmly secured and fastened.
- Check all bolts and screws every 90 days. As necessary tighten if any are loose.
- Lift up then move. Pushing over or dragging this product can result in an injury or cause damage to the floor and piece.

*Pre-Assembly Preparation:*

Please read through this instruction booklet before beginning assembly of this item.

*Two adults are recommended for assembly.*

- Clear out the space for assembly and lay out all parts on Parts List, extra room will allow you to easily determine if all the pieces are present.
- Save all packing materials until assembly is complete to avoid accidentally discarding smaller parts or hardware.
- Keep small parts and pieces away from children and pets until fully assembled.
- Please check for any loose screws and tighten them before you use.

---

**WARNING:** DO NOT LET CHILDREN PLAY IN OR AROUND THE UNIT DUE TO THE POSSIBLE RISK OF INJURY.

---

# Parts List

1.



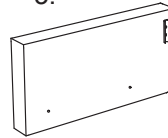
Back frame (1)

2.



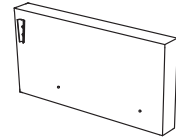
Seat frame (1)

3.



Right Arm (1)

4.



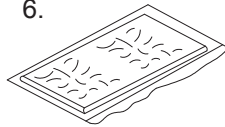
Left Arm (1)

5.



Base (1)

6.



Seat Cushion (1)

7.



Seat Cover (1)

8.



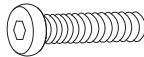
Back Cushion (1)

A.



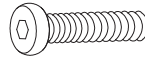
Bolt Cover (13)

B.



Bolt M6x35mm (7)

C.



Bolt M6x40mm (6)

D.



Washer (13)

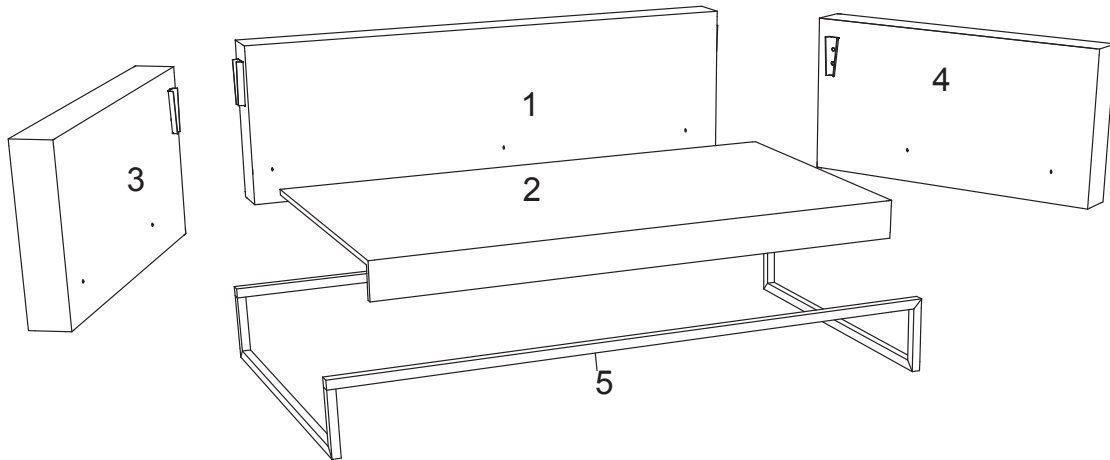
E.



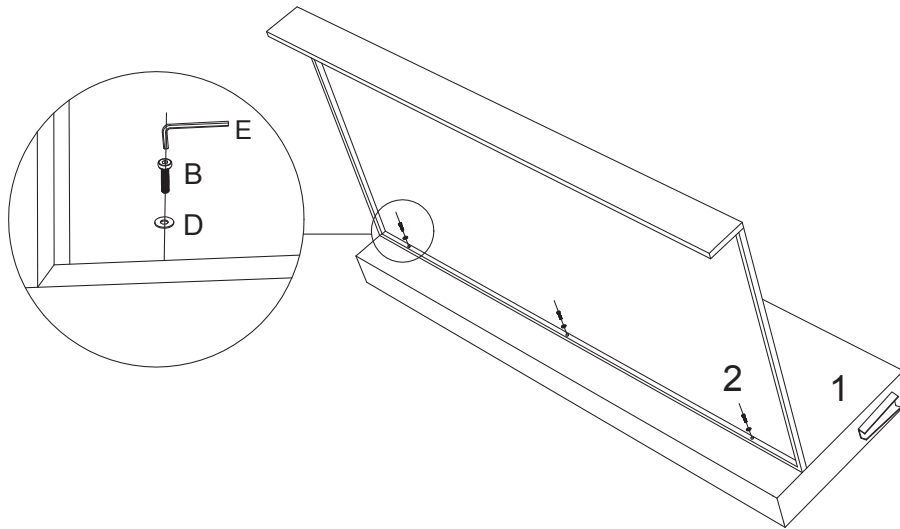
Allen Key (1)

**Step 1--** 1.Remove all parts from then carton and place them on a protected surface or carpet.

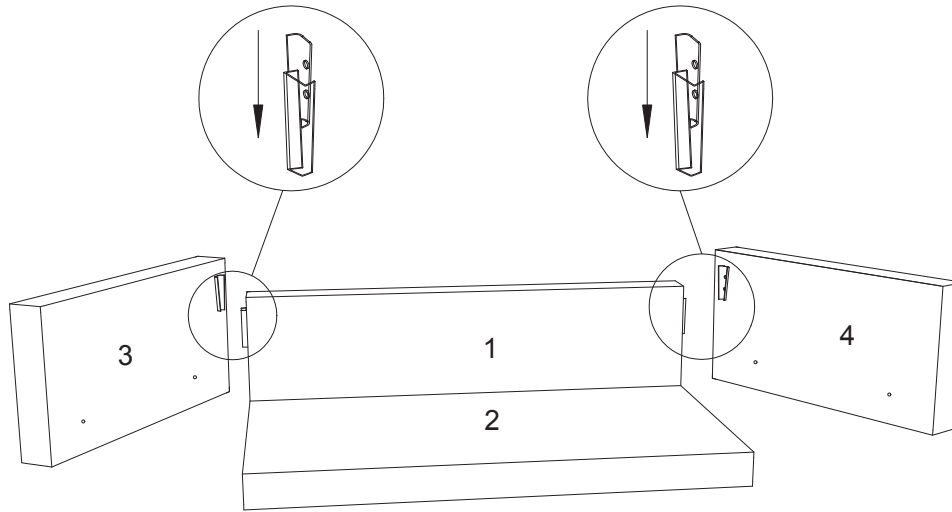
2.Ensure all parts match to the parts list on this.



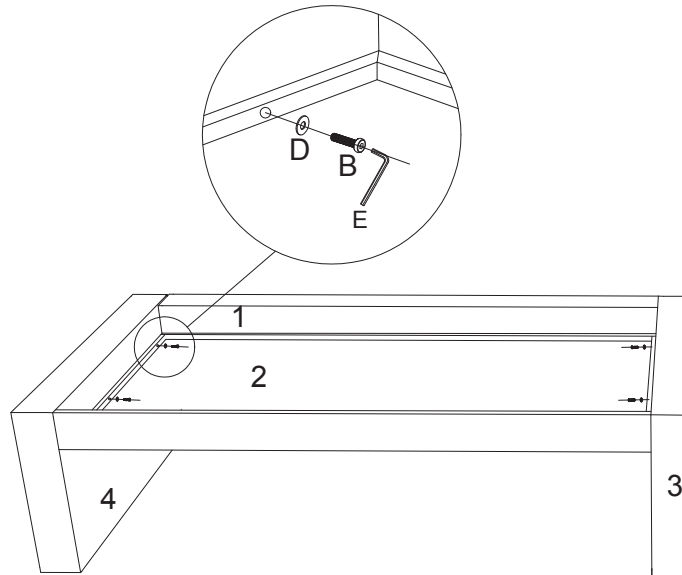
**Step 2**-- Attach seat frame (2) to back frame (1) by using M6X35mm bolt (B) with washer (D), then fasten with allen key (E).



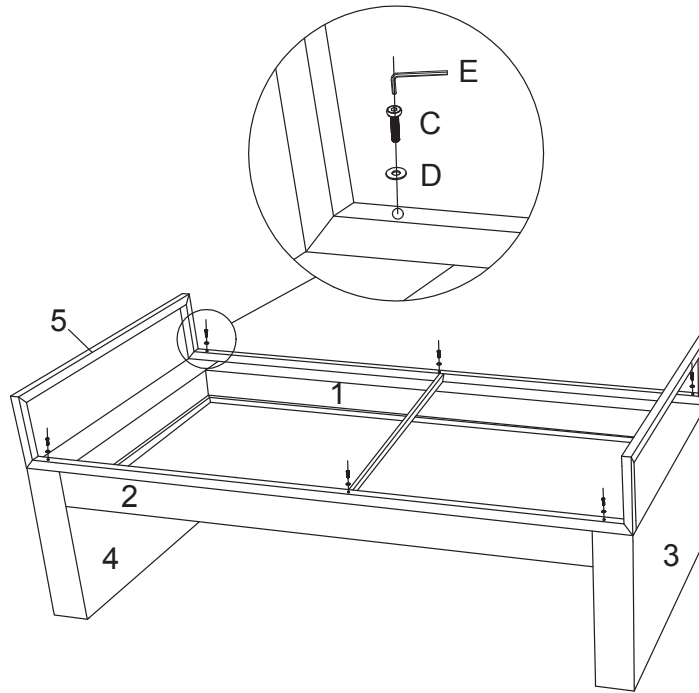
**Step 3--** Attach right arm (3) and left arm (4) to back frame (1) by sliding receivers on arms into the mechanism parts located on sides of back frame (1). Press down on sides of right arms (3) and left arm (4) to firmly secure.



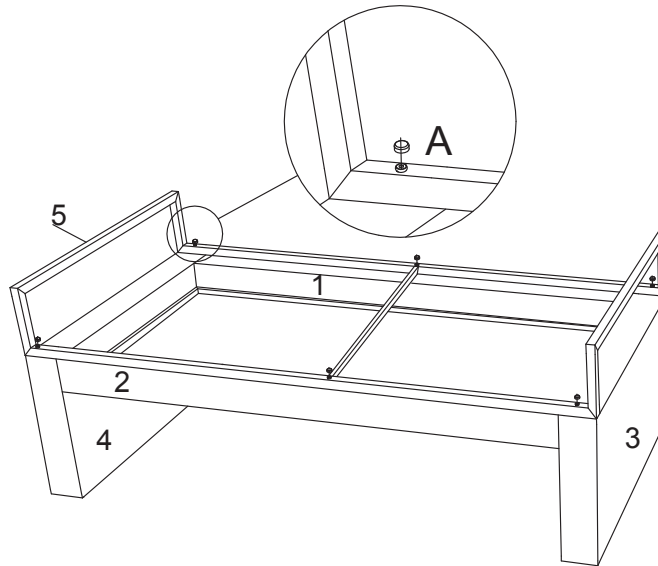
**Step 4--** Insert bolts M6x35mm (B) with washer (D) into holes located on Seat frame (2) and Right Arm (3) and left arm (4), then fasten with Allen Key (E).



**Step 5--** Insert bolts M6x40mm (C) with washer (D) into holes located on Base (5) and Right Arm (3) and left arm (4), then fasten with Allen Key (E). Ensure all bolt connections are fully tightened.



**Step 6--** Ensure all bolt connections are fully tightened. Use bolt covers (A) covered all bolt heads.



## Step 7--

1. Open the vacuum packed Seat Cushion (6) by carefully cutting the bags with a pair of scissors. Insert the Seat Cushion (6) into the appropriate Seat Cover (7). Ensure the cushion cover completely covers the filler as image (2) When closing the zipper ensure as image (3) the cushion is compressed, this will allow the zipper to close with ease. Fluff all cushions and pillows to allow them to expand.

2. Lastly, position Seat Cushions on the sofa. Seat and back cushions may take 24-48 hours to fully expand, which will allow wrinkles and indentations caused by packing to fade.

3. Place cushions (7) and (8) as shown.

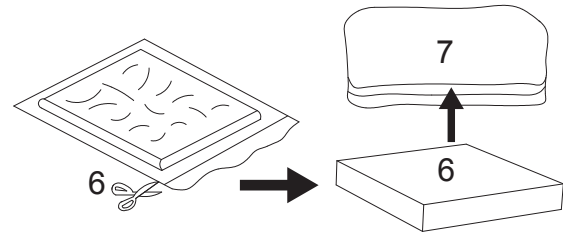
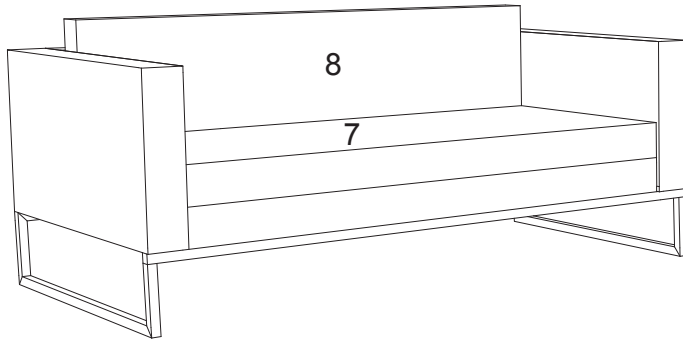


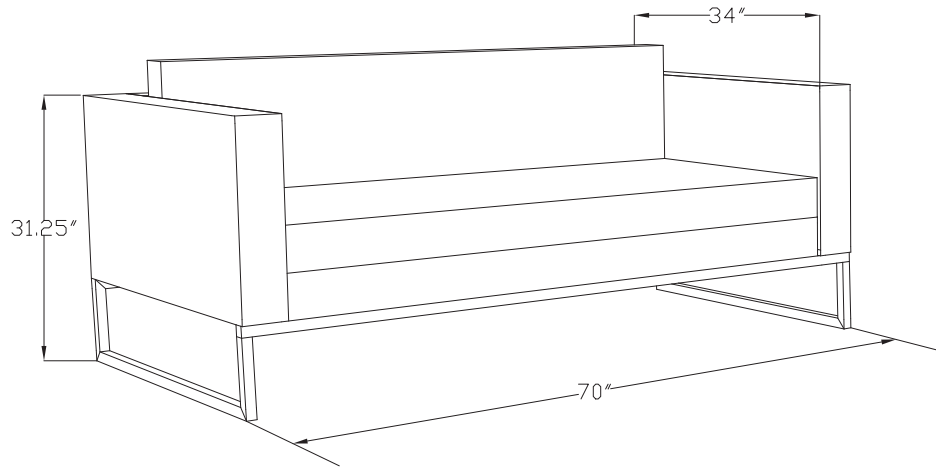
image (1)



image (2)



image (3)



**Product Dimension**

## *Limited Warranty*

The product you have purchased is warranted against defects in material and workmanship while owned by the “Original Purchaser”. The term “Original Purchaser” is defined as that party or entity which purchases these products from an authorized dealer or retailer as shown by the original sales receipt. This warranty does not apply to “as is” or previously owned products.

The manufacturer warrants its products to be free from defects in materials and workmanship (normal wear and tear, fading and stretching excepted), for one year from the date of purchase, except as provided below under the limited warranty.

This warranty gives you specific rights, and you may also have other rights, which vary from state to state (or country to country). All warranties are limited to the original purchaser for normal use by a maximum of two users. Total weight capacity per chair is 250 pounds for a single user.

### **The exceptions or exclusions to this warranty are:**

- Upholstery material and foam cushion material is warranted against defects in material and workmanship for a period of one year, beginning on the date of purchase as shown on the original sales receipt.
- Any warranty claim that is submitted after the limited warranty period, or without proper proof of purchase will not include the cost of parts, labor, or delivery on the warranted parts within a reasonable amount of time. We reserve the right to require damaged parts to be returned to us upon request. Natural markings such as scars, brands, grain variations, wrinkles, color variations, etc. will be considered normal characteristics and not construed as defects.
- For claims or questions concerning this warranty, please contact the Customer Service Department on the web at [www.truecustomersupport.com](http://www.truecustomersupport.com). Be prepared to provide your name, address, daytime phone number, the model and purchase order number of the product, date of purchase, and the store where it was purchased. The manufacturer requires that the original sales receipt be submitted with all requests to confirm that you are the original purchaser according to our written warranty.