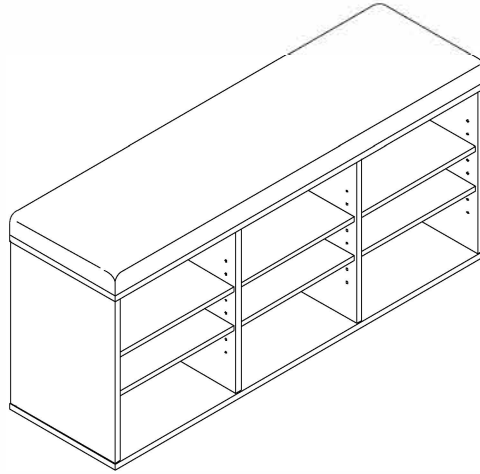


ASSEMBLY INSTRUCTIONS

SHOE RACK



NOTE TO CUSTOMERS:

- For ease and speed of assembly we recommend that before you commence each step of the assembly that you identify all the parts required to complete that step.
- We recommend that where possible you allow sufficient space to assemble the item as close as possible to the place where it will be once assembled.
- For the protection of your furniture we recommend that the product is placed on a dry, soft, smooth and clean surfaces during assembly to prevent any damage. Avoid damp and direct sunlight.
- During assembly do not over tighten the screws or bolts, as this may damage the product.
- Please ensure you retain all the product packaging until the item is completely assembled.
- Periodically check all fitting and re-tighten as necessary.
- Never allow any liquids to remain on your furniture as absorption can cause the wood to warp or finish to de-laminate.
- It is recommended that this item should be assembled by two adults.

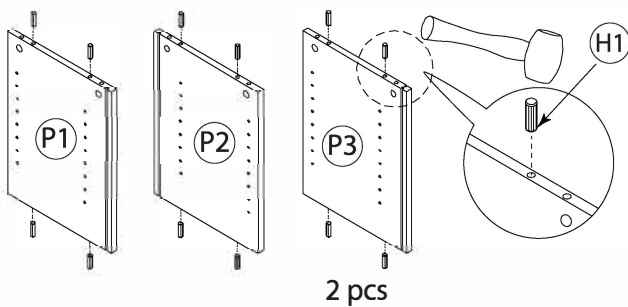
PARTS IDENTIFICATION

<p>P1 Quantity: 1</p> <p>Side Panel (left)</p>	<p>P2 Quantity: 1</p> <p>Side Panel (right)</p>	<p>P3 Quantity: 2</p> <p>Middle Panel</p>	<p>P4 Quantity: 1</p> <p>Seat</p>
<p>P5 Quantity: 1</p> <p>Base panel</p>	<p>P6 Quantity: 3</p> <p>Back Panel</p>	<p>P7 Quantity: 6</p> <p>Shelve Panel</p>	

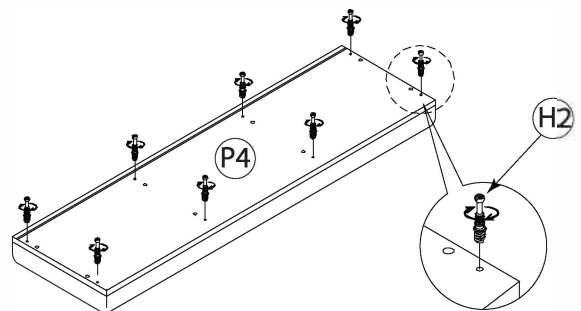
HARDWARE LIST

<p>H1 Wooden Dowel M8 x 25 Ø 5/16" 1"</p> <p>Quantity: 16 pcs</p>	<p>H2 Connecting Bolts </p> <p>Quantity: 8 pcs</p>	<p>H3 Cam Lock 15 x 12.5mm </p> <p>Quantity: 8 pcs</p>	<p>H4 Screw #9 x 1 1/2" Ø 11/64" 1 1/2"</p> <p>Quantity: 8 pcs</p>	<p>H5 Shelve support pin </p> <p>Quantity: 24 pcs</p>
<p>H6 Corner Wedges </p> <p>Quantity: 8 pcs</p>	<p>H7 Screw for the Wedge Ø 1/8" 25/32"</p> <p>Quantity: 8 pcs</p>	<p>Tools required:</p> MALLET HOUSEHOLD SCREWDRIVER		

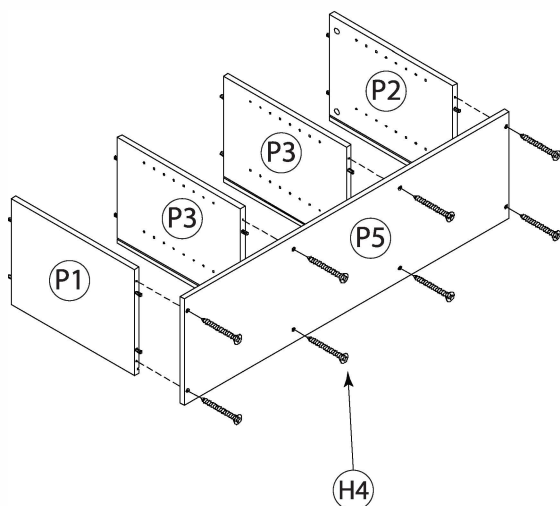
STEP 1 Insert wooden dowels (H1) into the following parts.



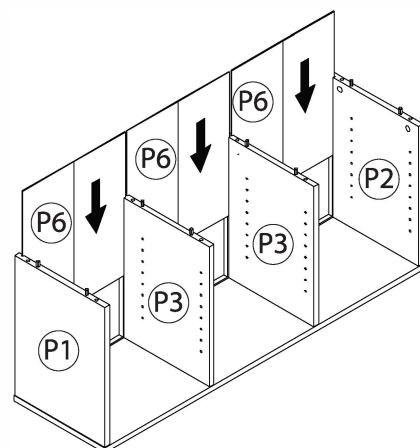
STEP 2 Align the Connecting Bolt (H2), use a household Philip Screwdriver to drive the bolt until it is snug.



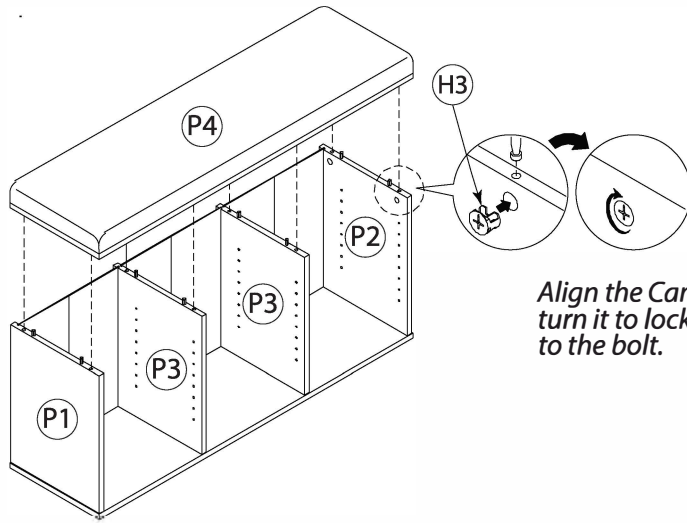
STEP 3



STEP 4

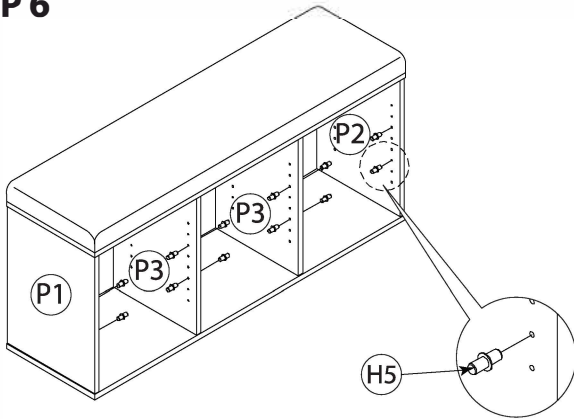


STEP 5

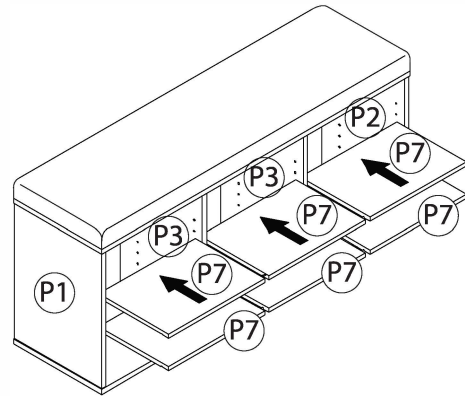


Align the Camlock (H3) & use a screwdriver to turn it to locked position when it is connected to the bolt.

STEP 6

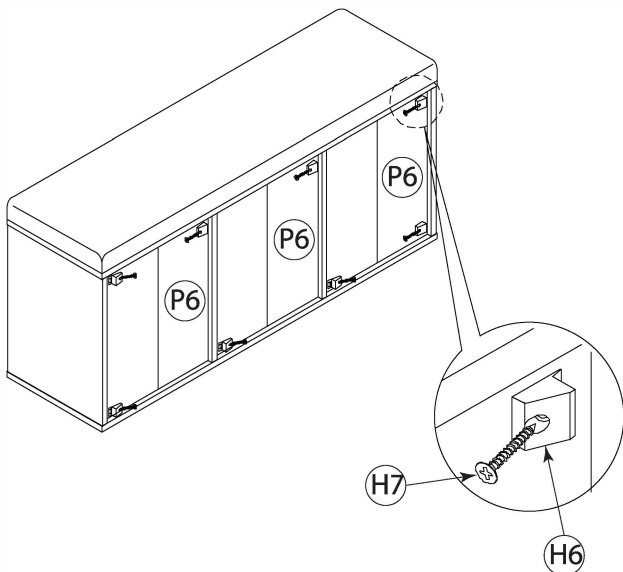


STEP 7



STEP 8

Assemble the wedges (H6) to add the stability of the unit.



STEP 9

All the shelves can be adjusted to suit your storage space.

