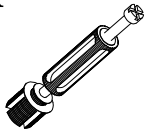

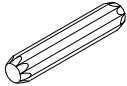

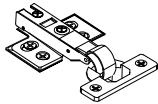
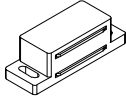
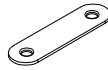
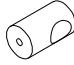

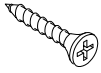
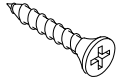
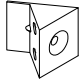
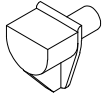
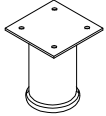

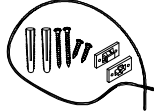
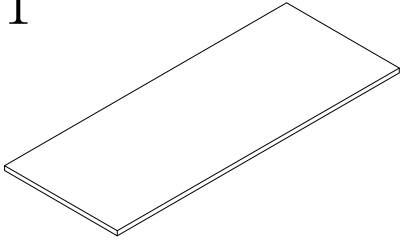
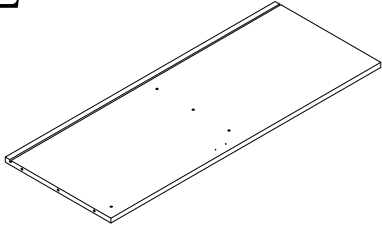
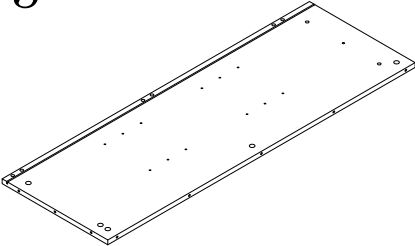
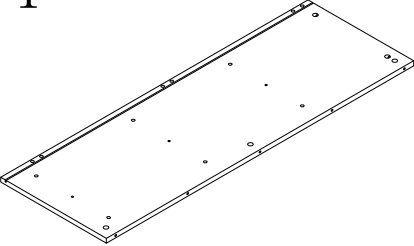
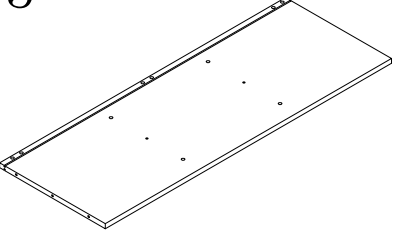
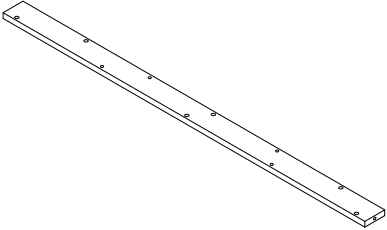
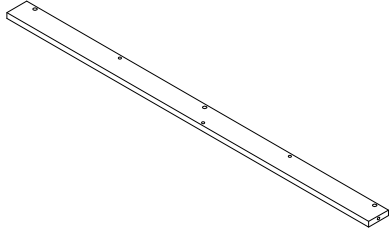
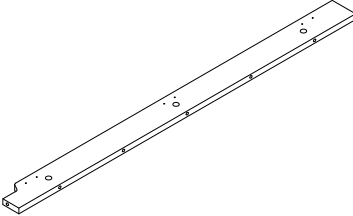
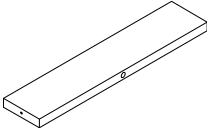
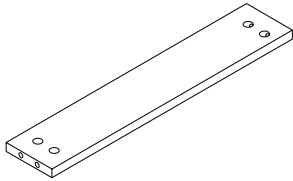
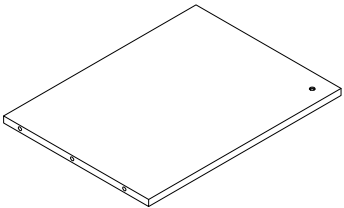
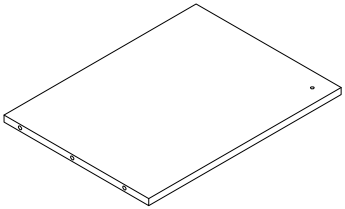
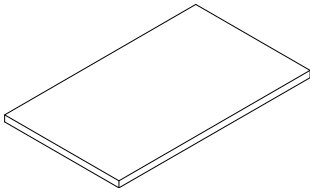
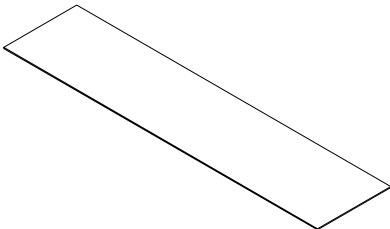
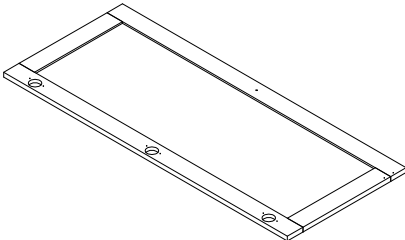
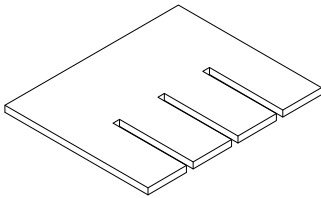
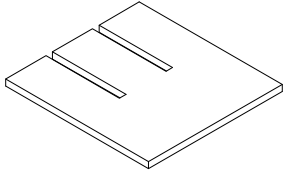


A  51PCS	B  51PCS	C 8*40  20PCS	D 7*50  5PCS	E  3PCS	F  2PCS	G  2PCS	H  1PCS	I 4*20  1PCS	J 3*12  12PCS
K 3.5*14  26PCS	L  8PCS	M  8PCS	N 60MM  1PCS	O 1013MM  2PCS	P  2PCS				

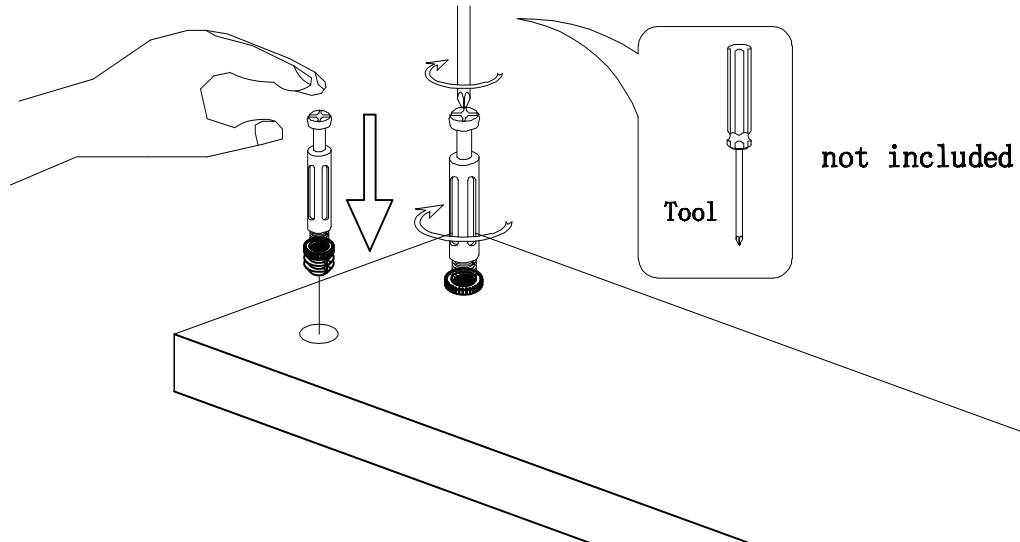
<p>1</p>  <p>1000*400 1 PCS</p>	<p>2</p>  <p>957*375 1 PCS</p>	<p>3</p>  <p>1090*375 1 PCS</p>	<p>4</p>  <p>1090*375 1 PCS</p>	<p>5</p>  <p>1015*375 1 PCS</p>
<p>6</p>  <p>1090*60 1 PCS</p>	<p>7</p>  <p>1090*60 1 PCS</p>	<p>8</p>  <p>1015*70 1 PCS</p>	<p>9</p>  <p>329*70 1 PCS</p>	<p>10</p>  <p>471*90 6 PCS</p>
<p>11</p>  <p>471*335 1 PCS</p>	<p>12</p>  <p>471*335 1 PCS</p>	<p>13</p>  <p>468*280 2 PCS</p>	<p>14</p>  <p>1025*239 4 PCS</p>	<p>15</p>  <p>1011*423 1 PCS</p>
<p>16</p>  <p>425*350 2 PCS</p>	<p>17</p>  <p>327*350 3 PCS</p>			



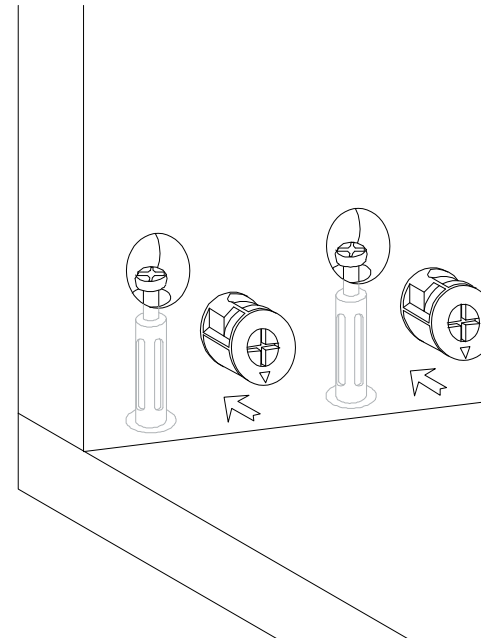
Hardware installation demonstration

NOTE: Please make sure "A" hardware tightened and can't be pulled out!

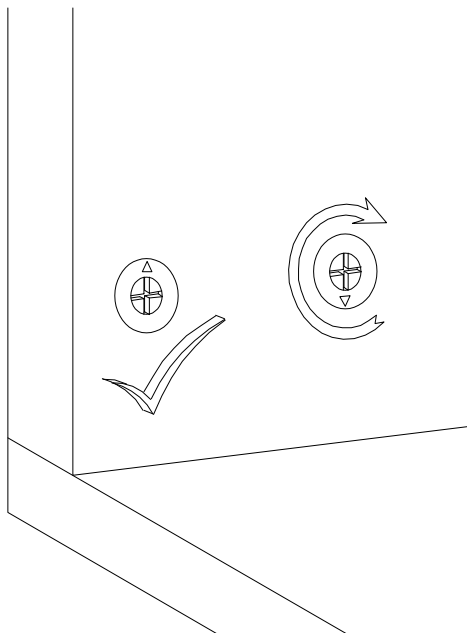
I



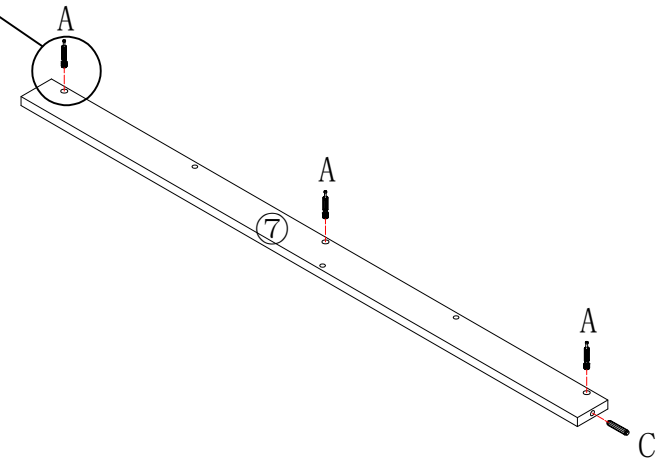
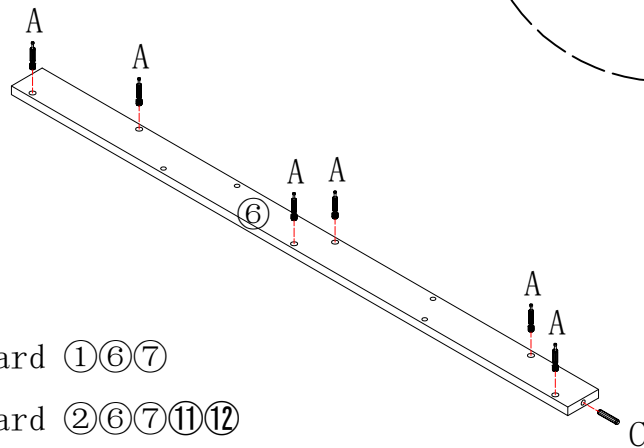
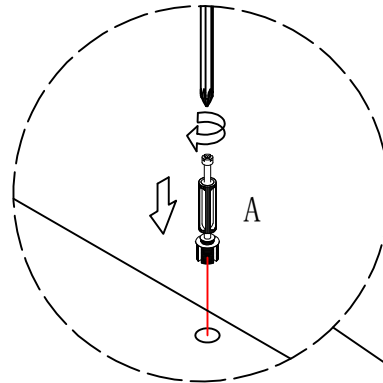
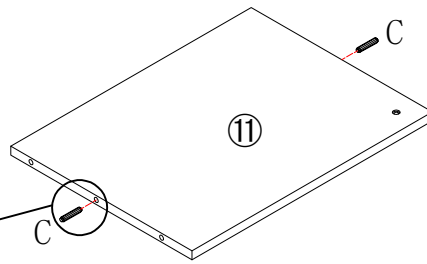
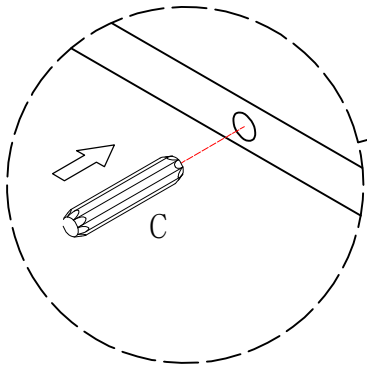
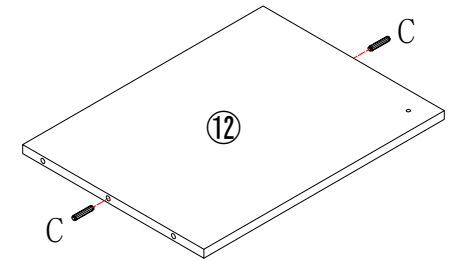
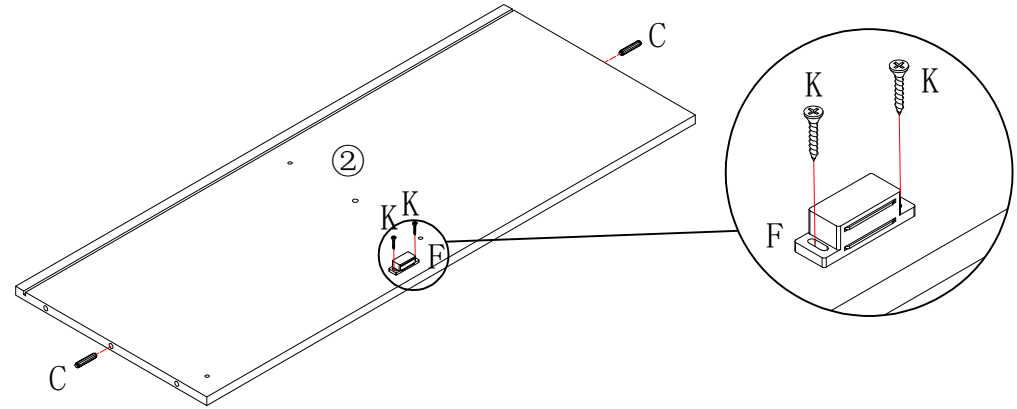
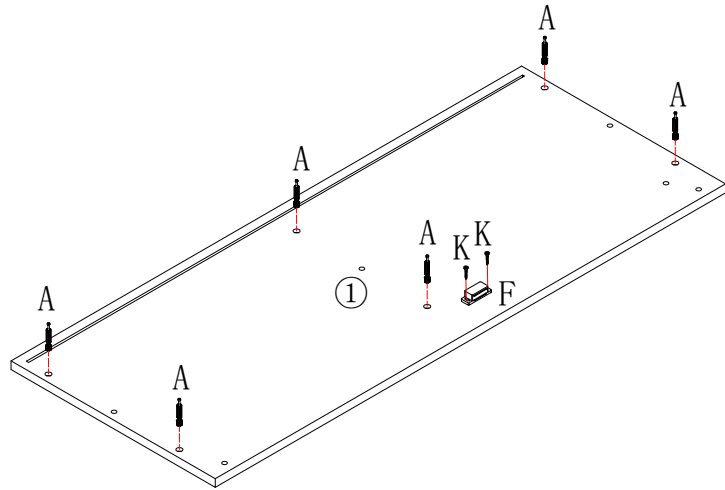
II


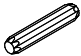
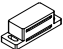



III



1

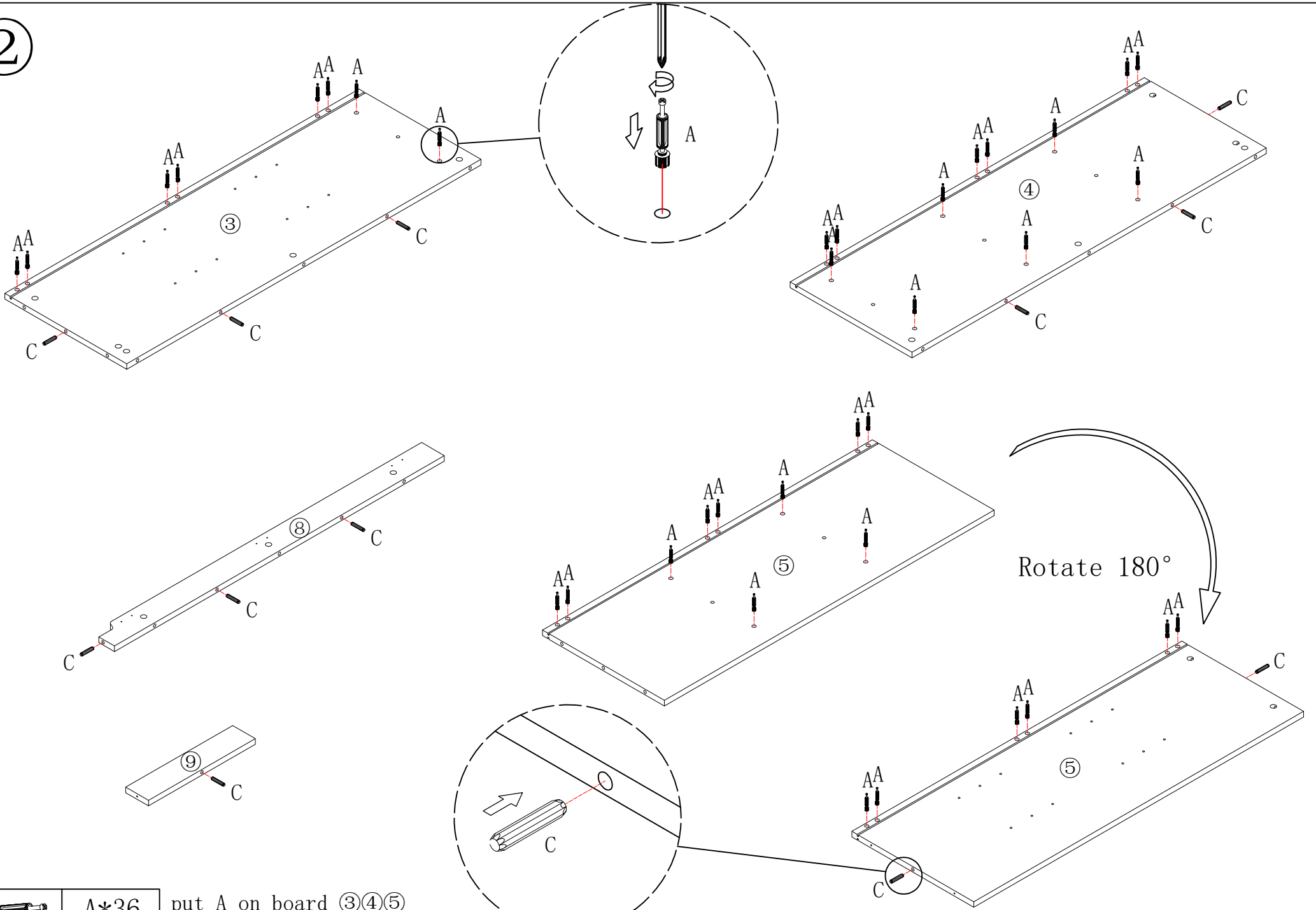


	A*15
	C*8
	F*2
	K*4

put A on board ①⑥⑦

put C on board ②⑥⑦⑪⑫

2



A*36

put A on board ③④⑤

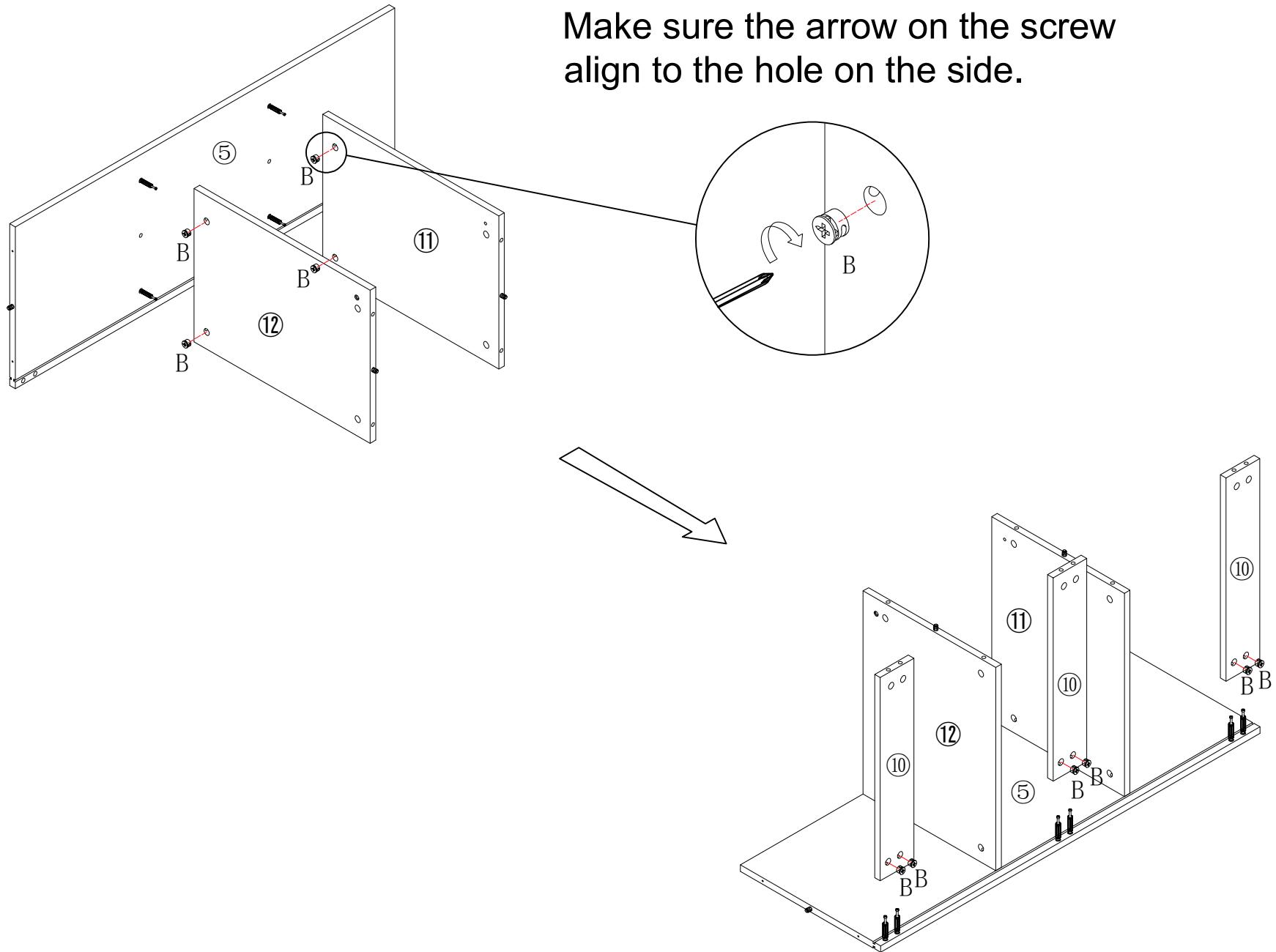


C*12

put C on board ③④⑤⑧⑨

3

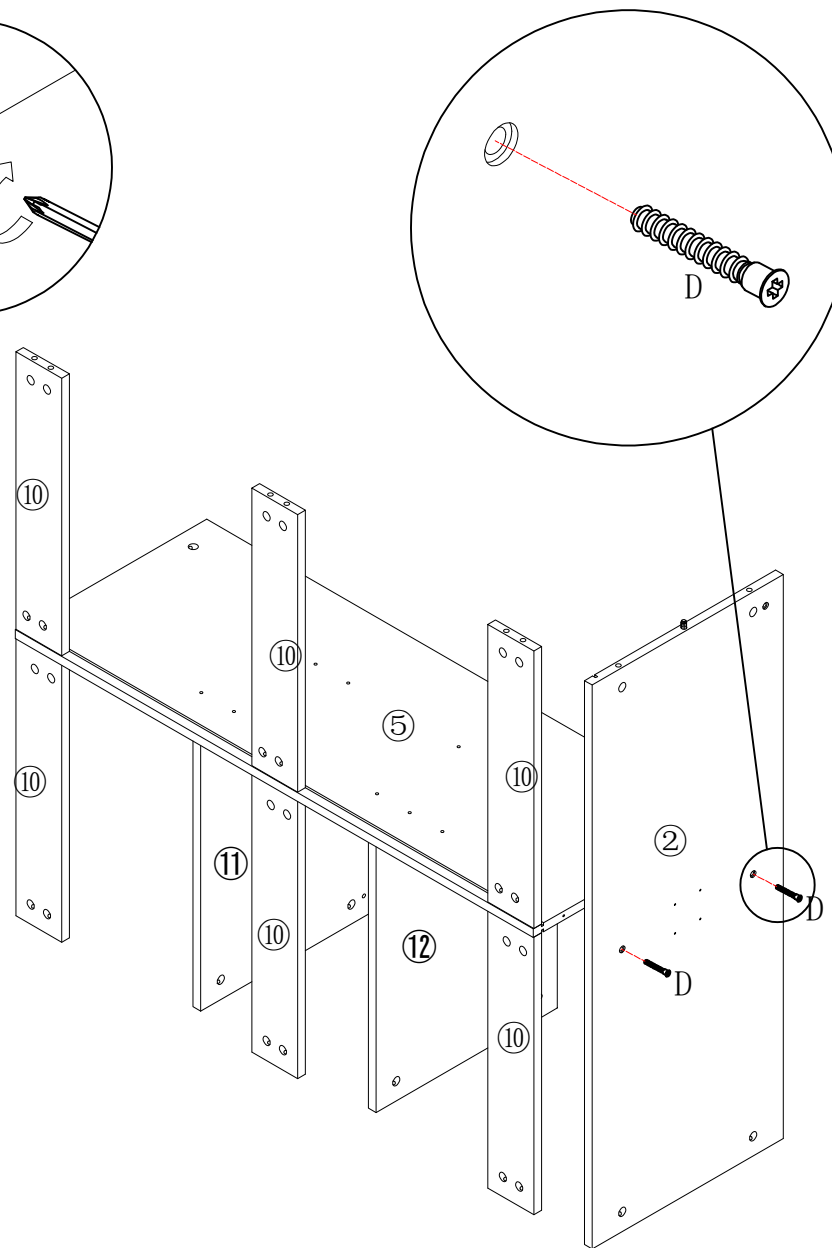
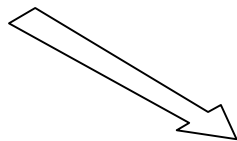
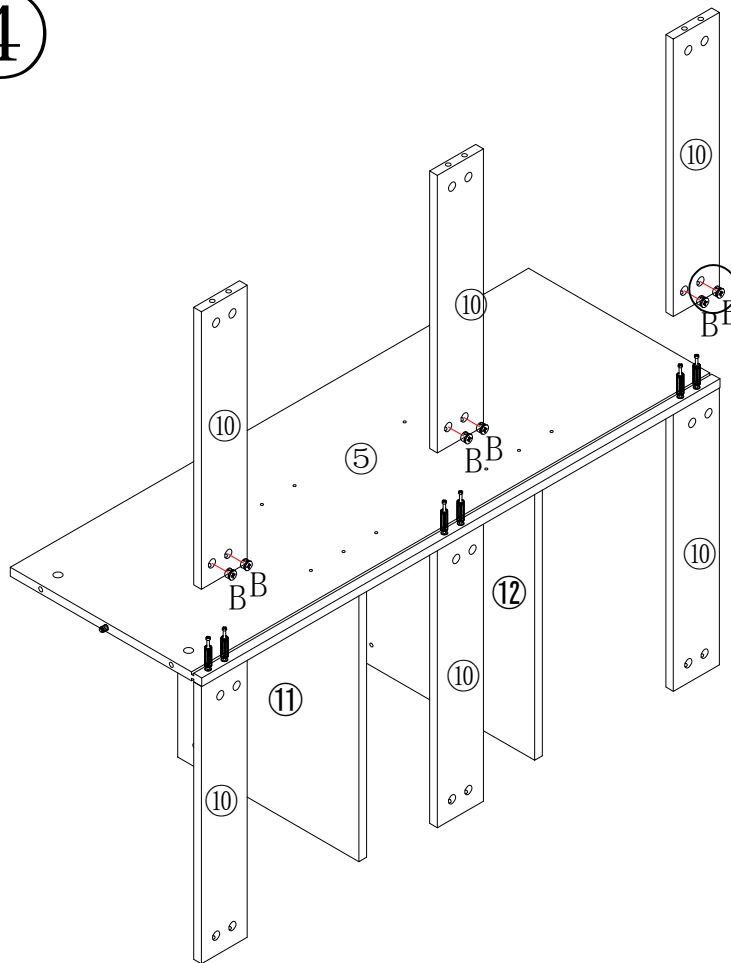
Make sure the arrow on the screw align to the hole on the side.



B*10 put B on board 10 11 12

4

Make sure the arrow on the screw align to the hole on the side.



B*6

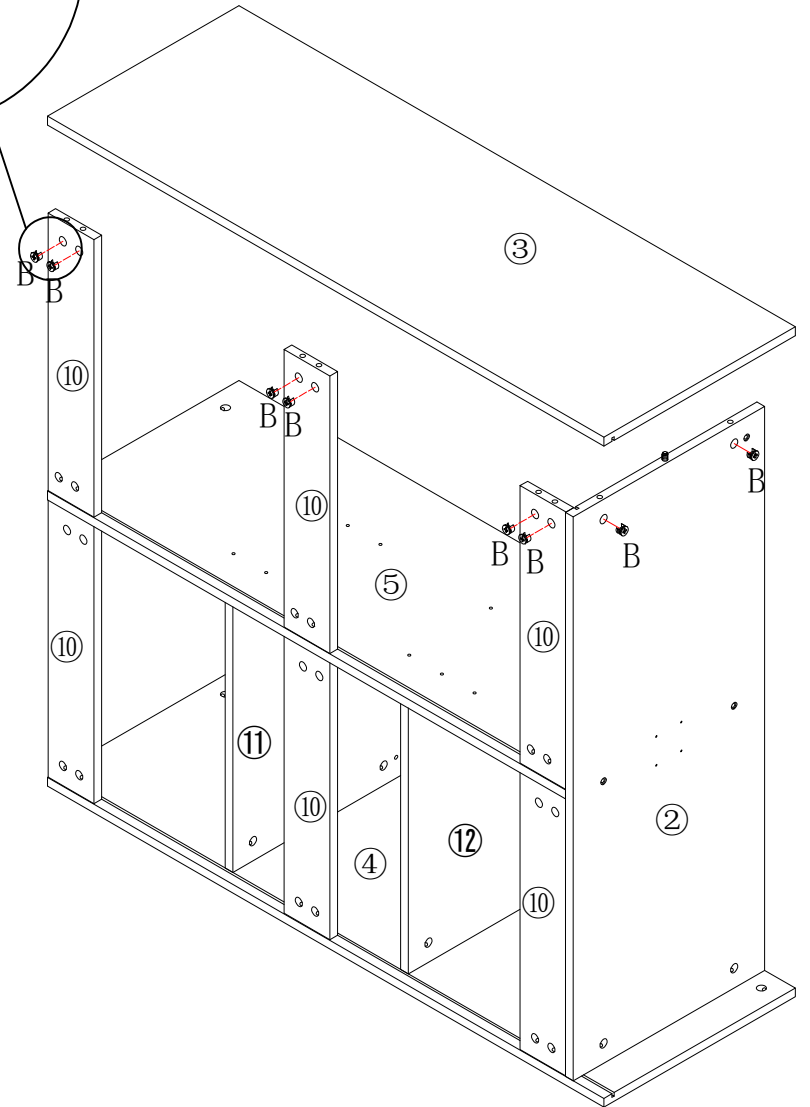
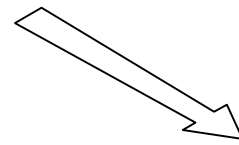
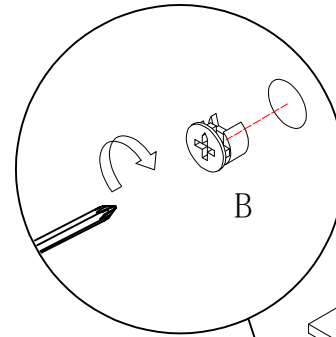
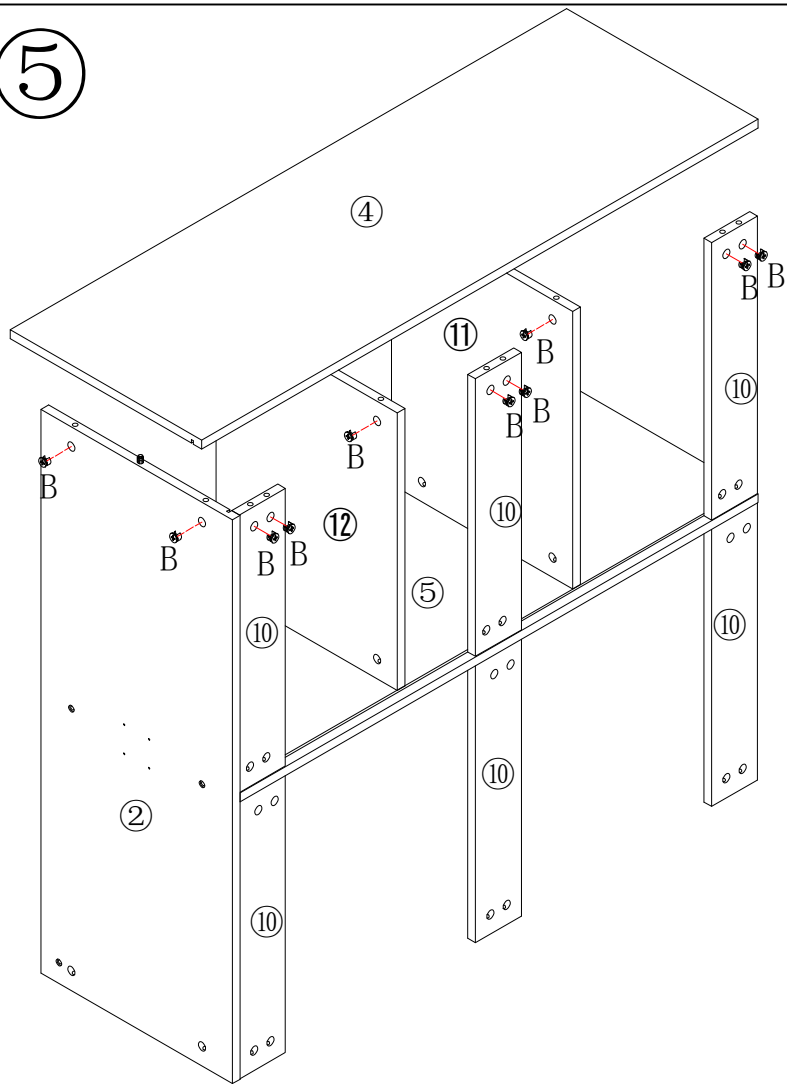
put B on board 10



D*2

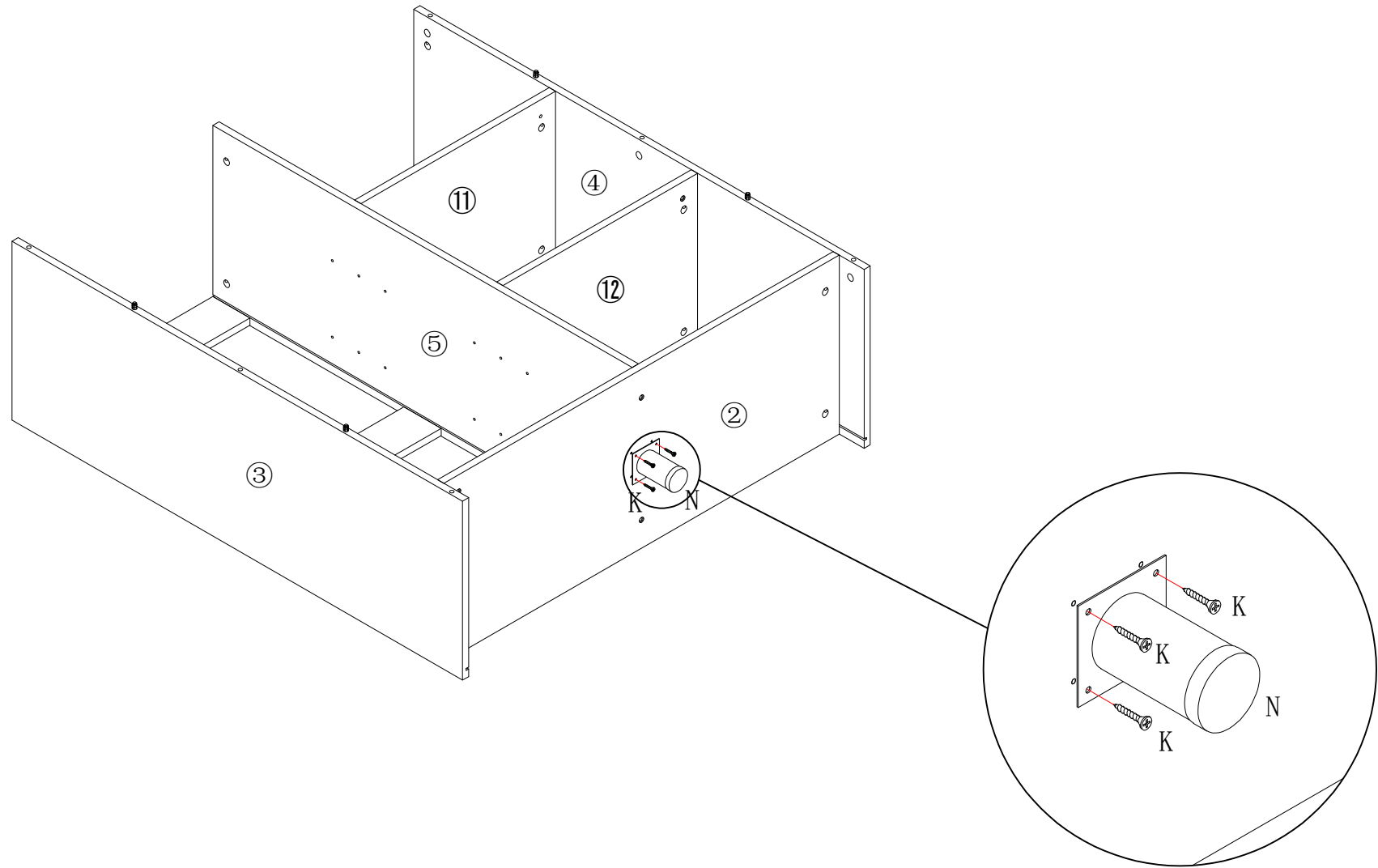
5



Make sure the arrow on the screw align to the hole on the side.



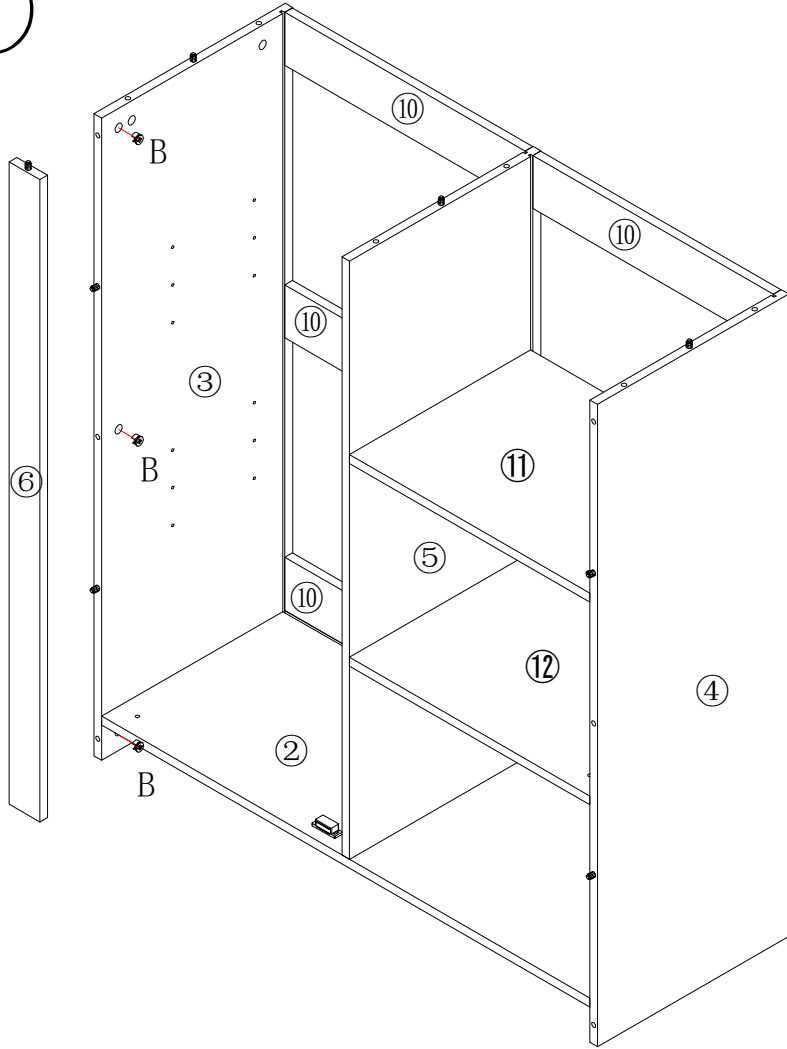
B*20 put B on board ②⑩⑪⑫

6



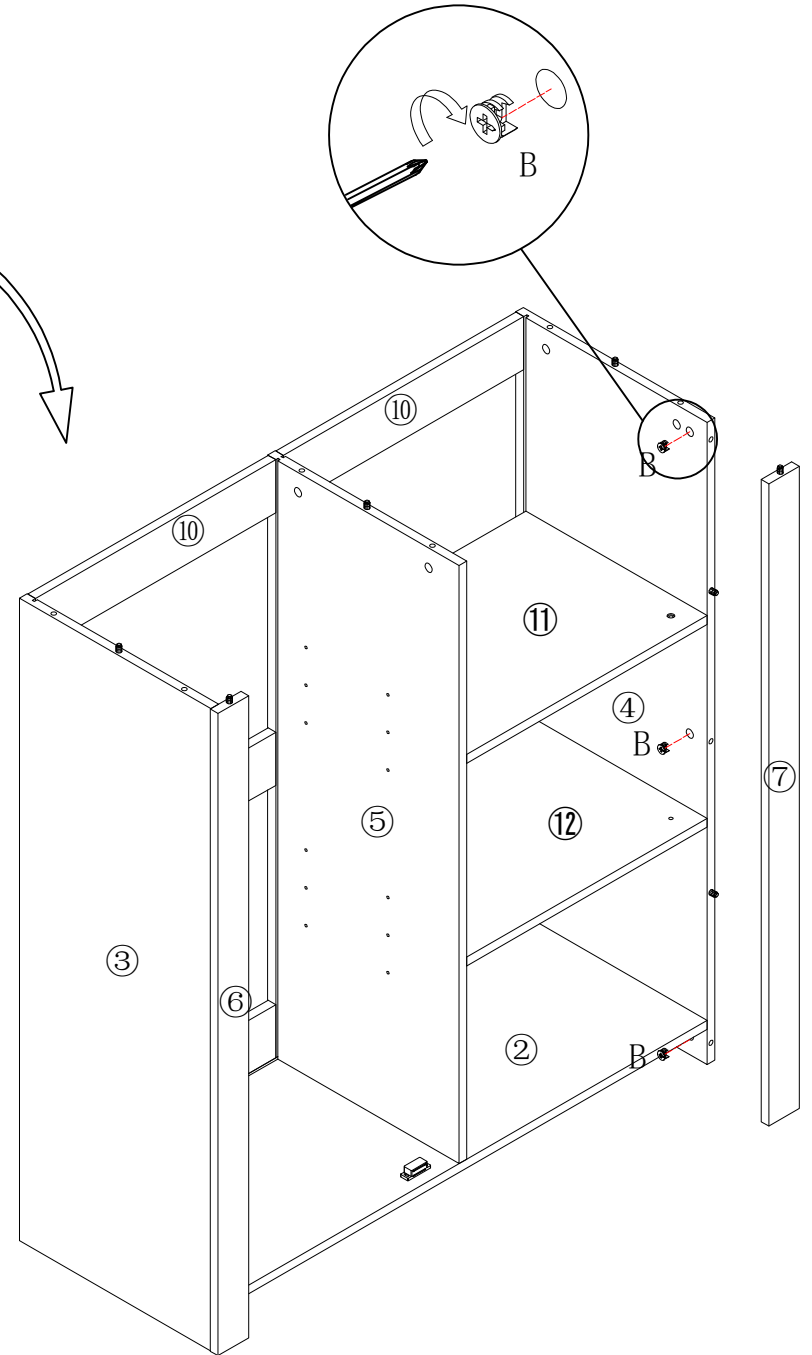
	K*4
	N*1

7



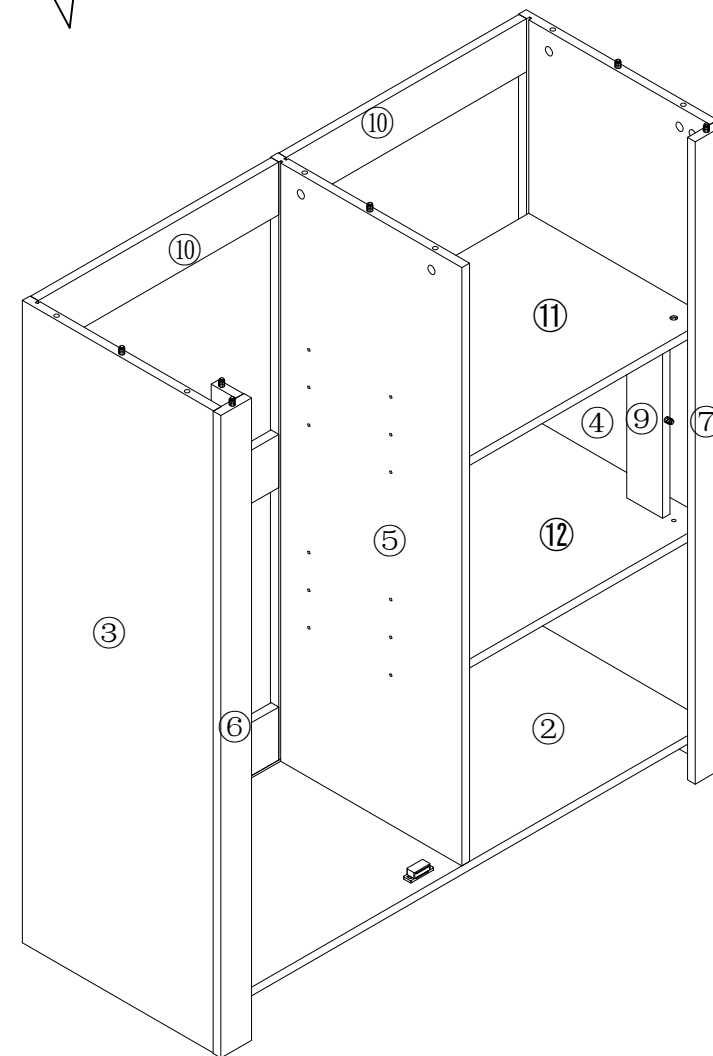
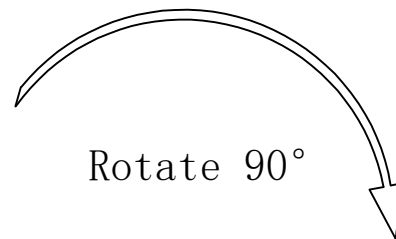
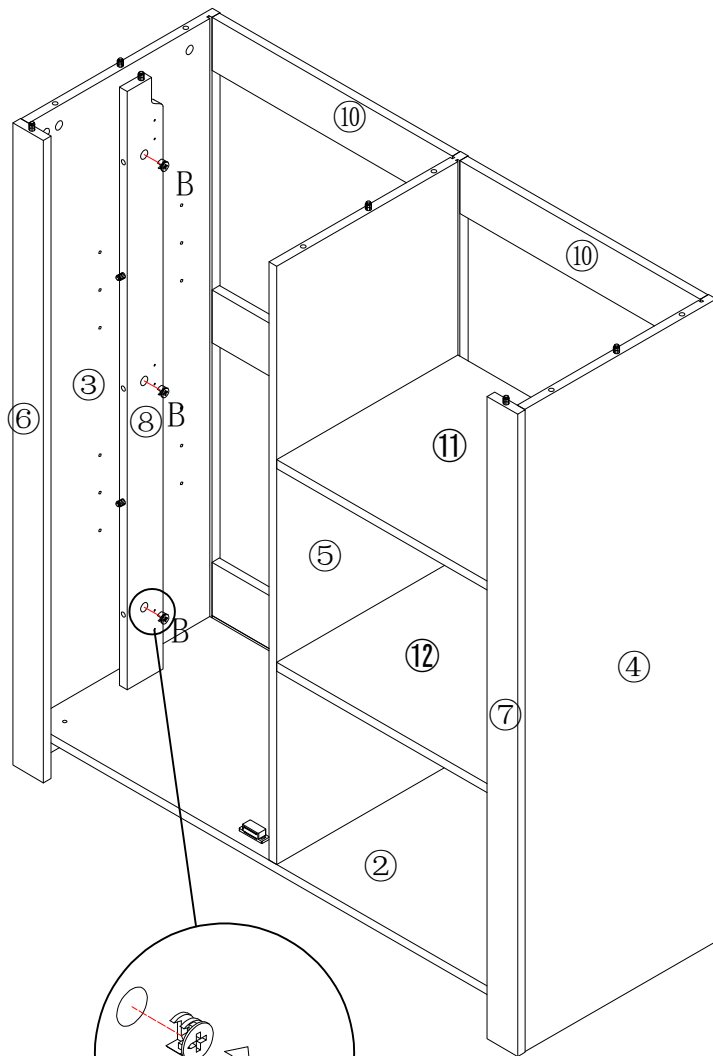
Make sure the arrow on the screw align to the hole on the side.

Rotate 90°



B*6 put B on board (3)(4)

8



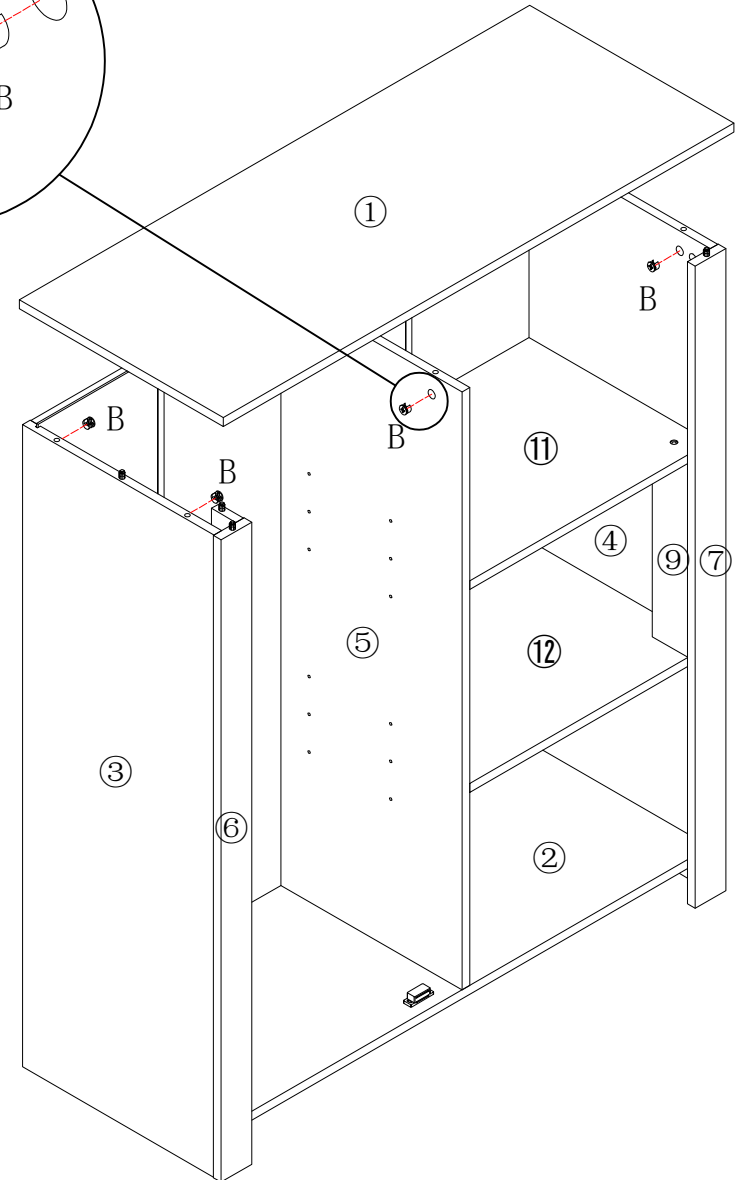
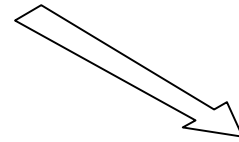
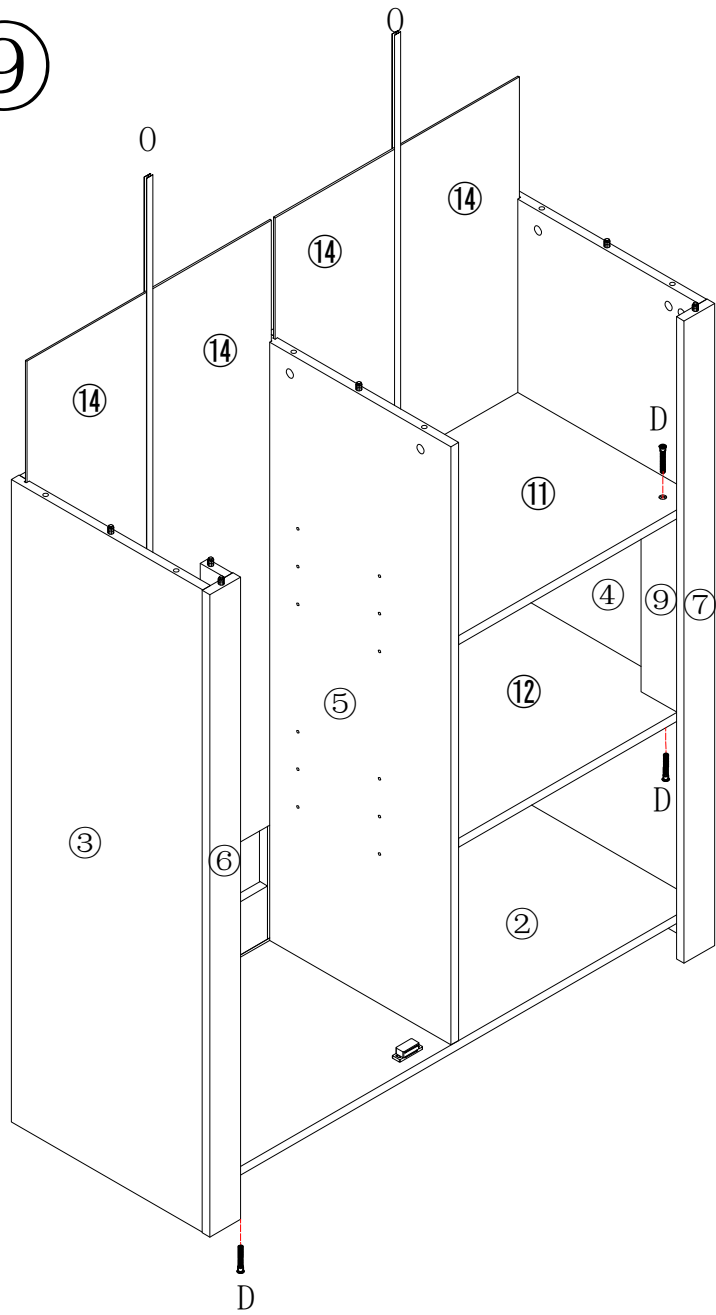
Make sure the arrow on the screw align to the hole on the side.






B*3 put B on board ⑧

9

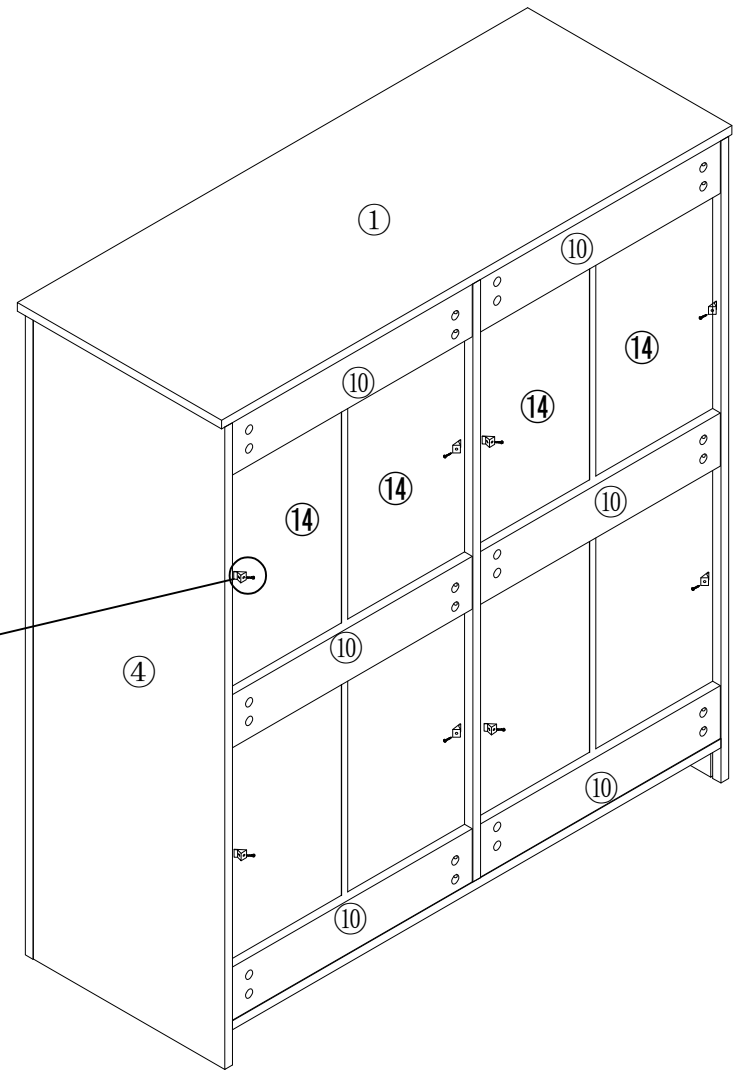
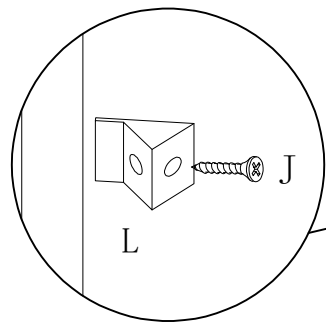
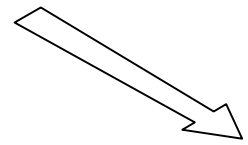
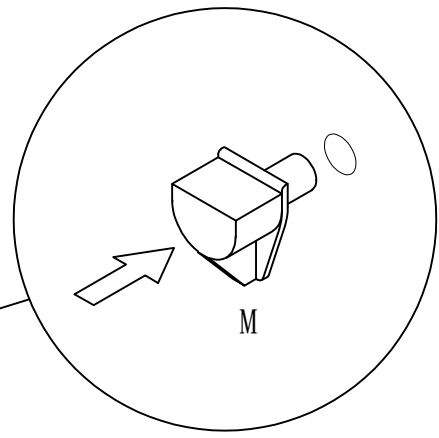
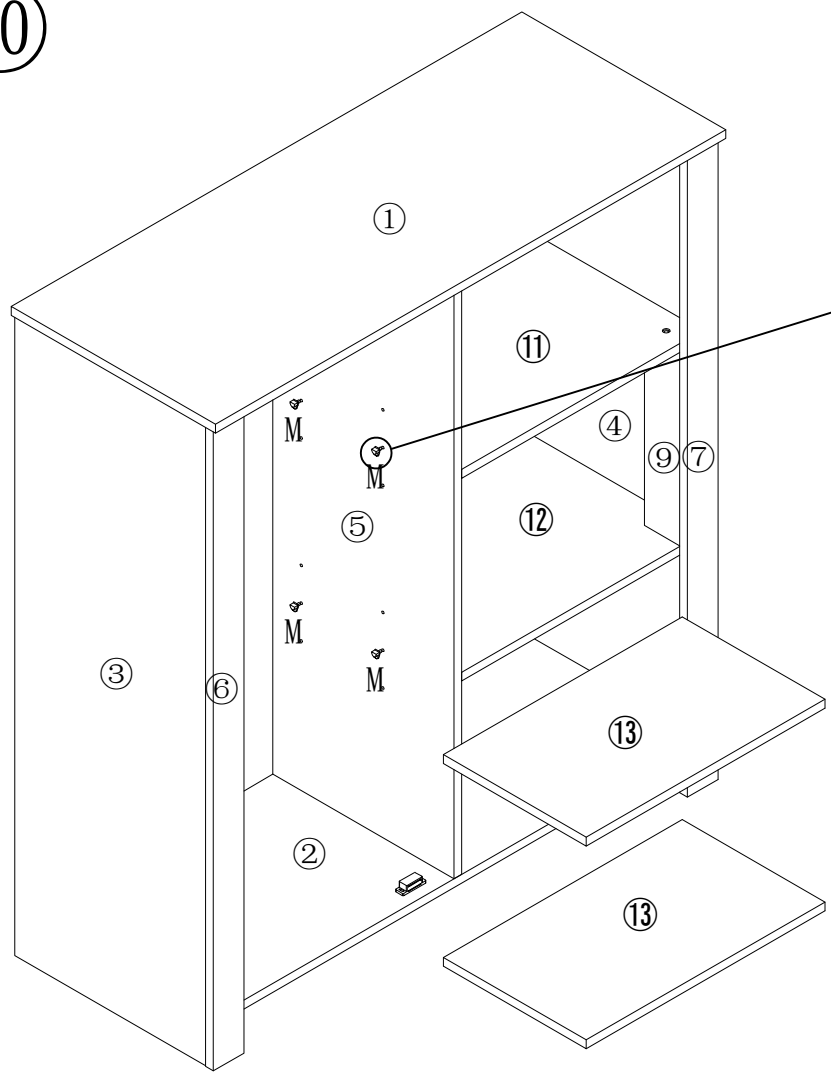
Make sure the arrow on the screw align to the hole on the side.


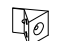



	B*6
	D*3
	O*2

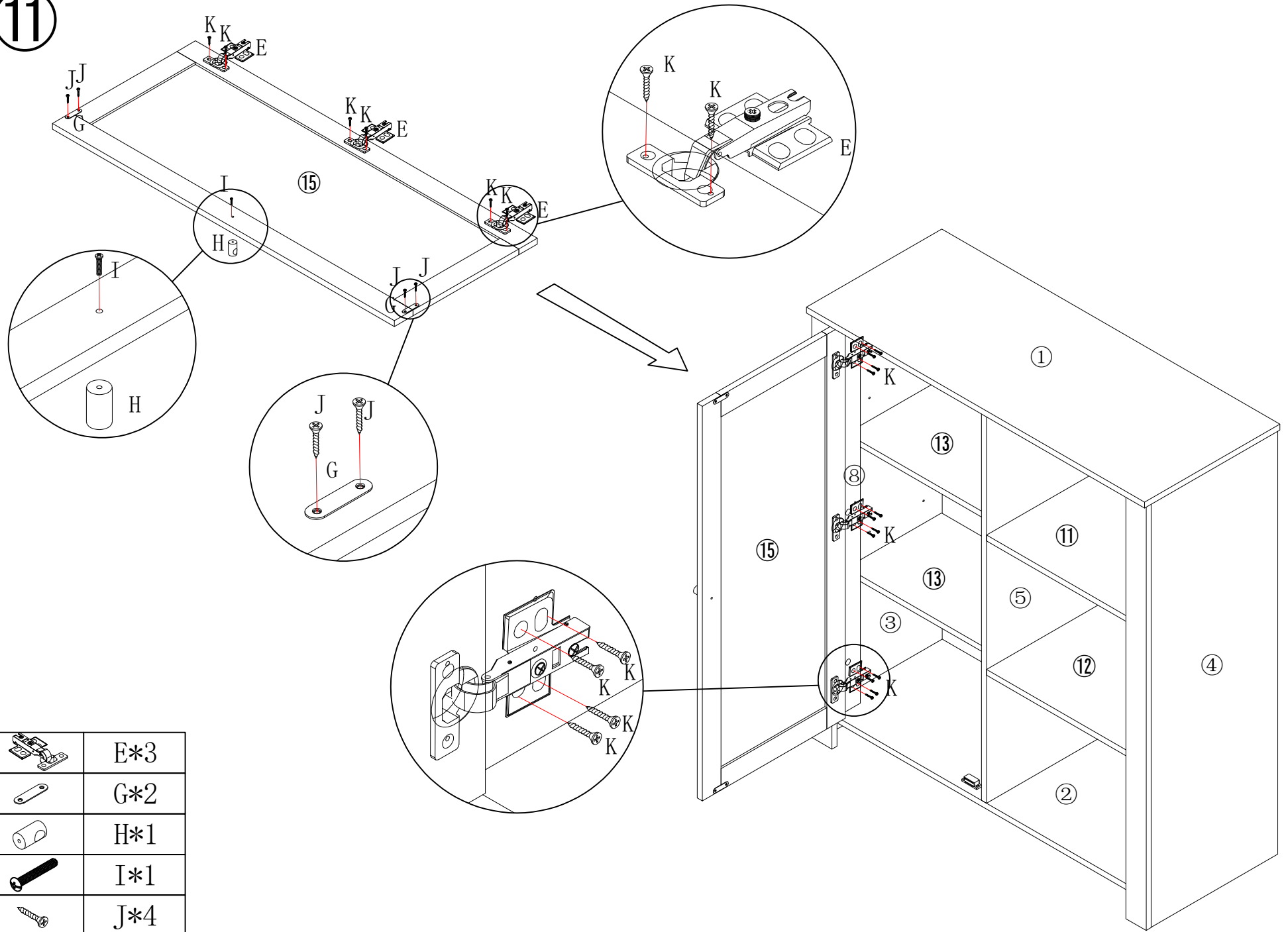
put B on board ③④⑤

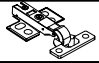





10



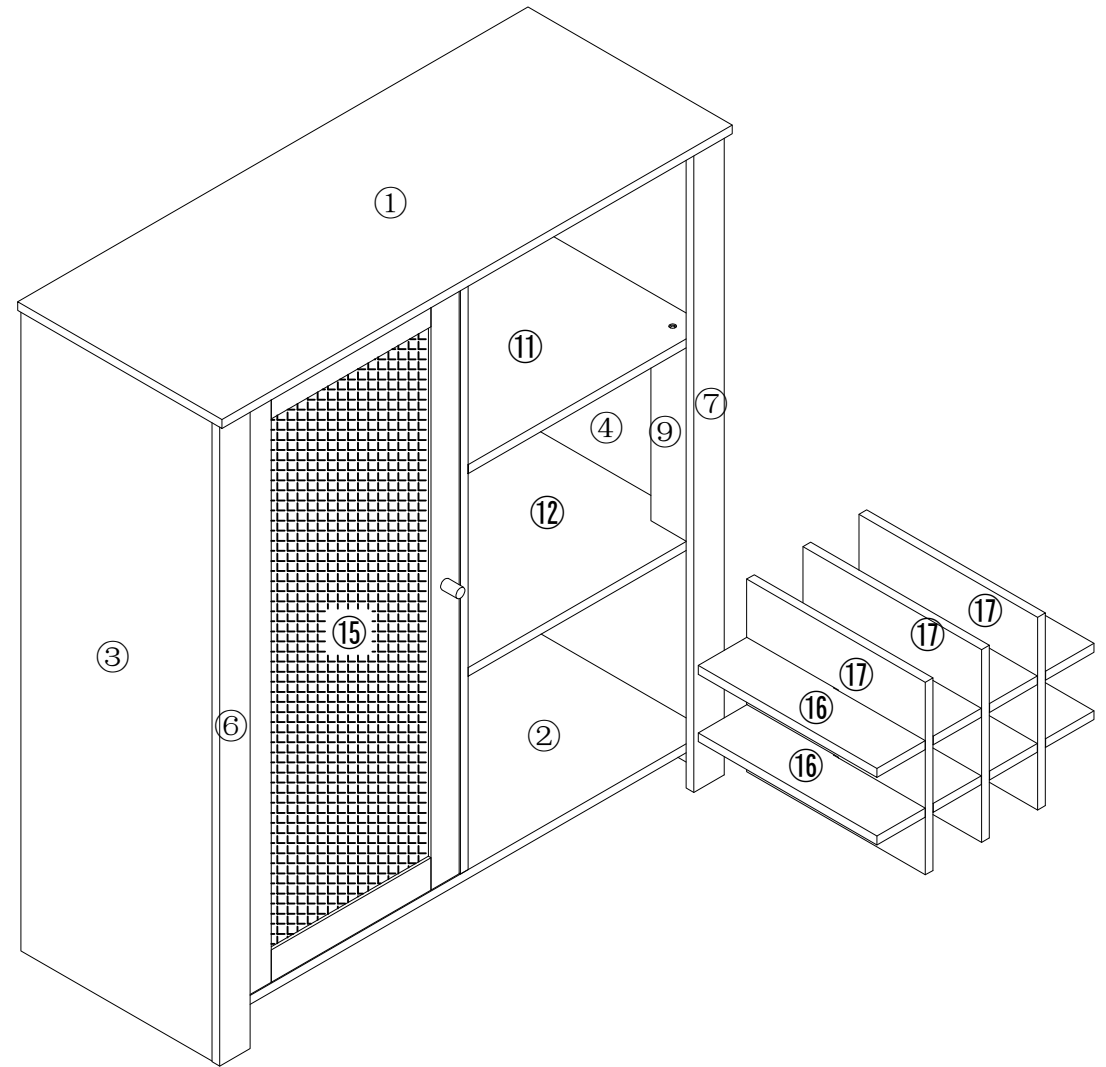
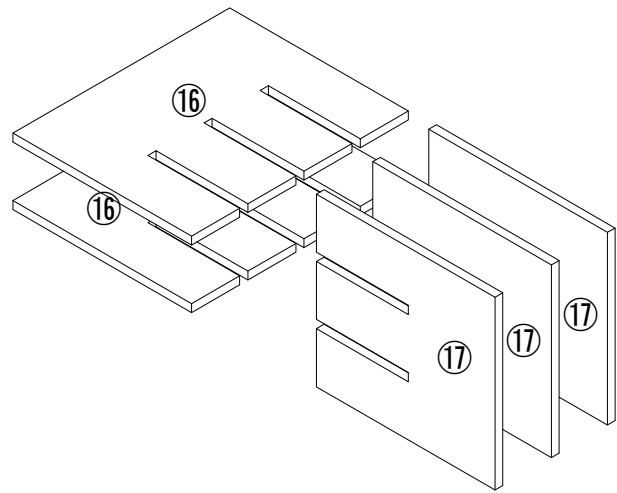
	J*8
	L*8
	M*8

11

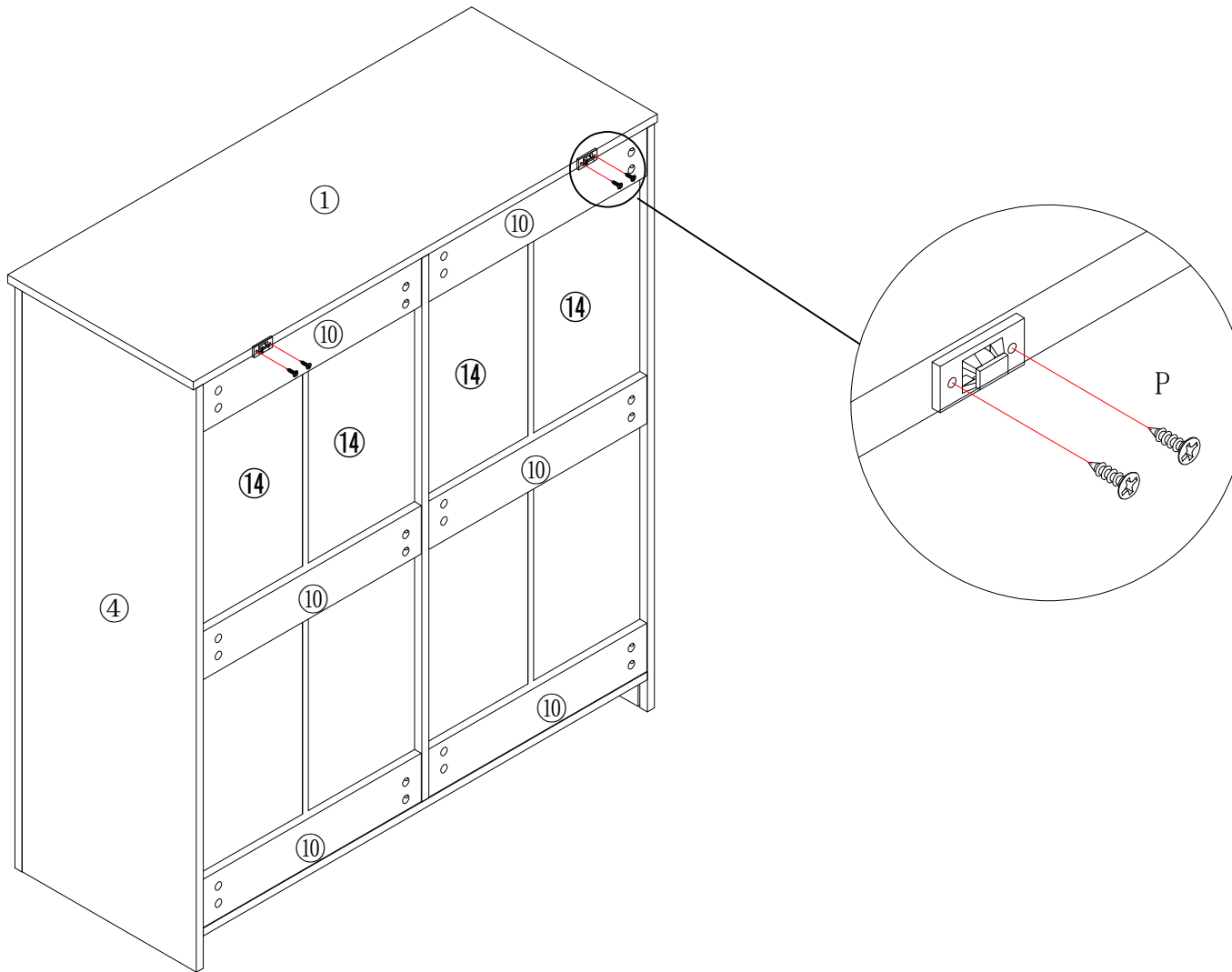


	E*3
	G*2
	H*1
	I*1
	J*4
	K*18

12

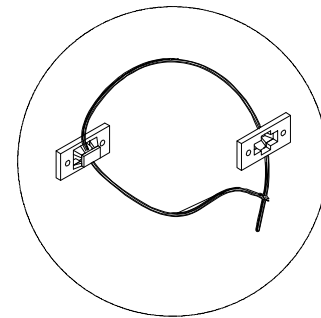
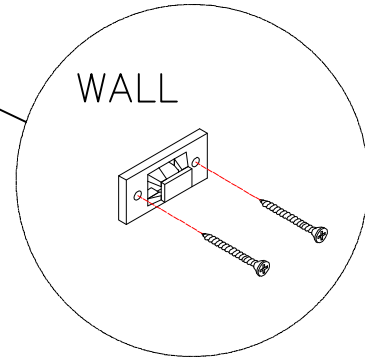
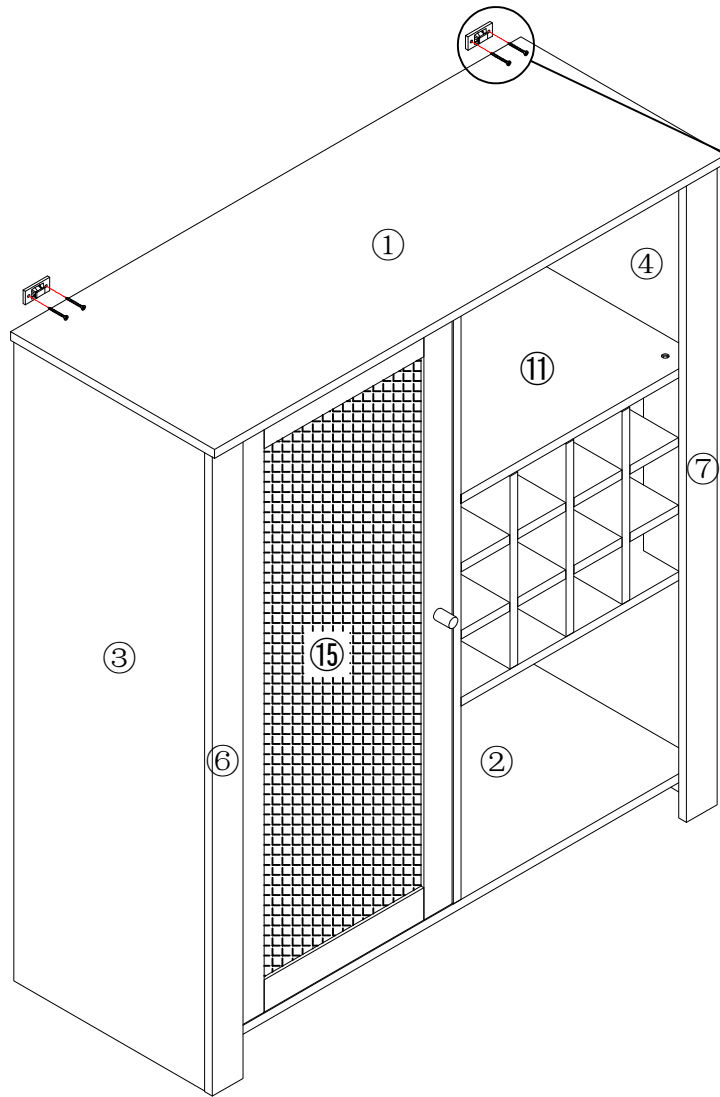


13

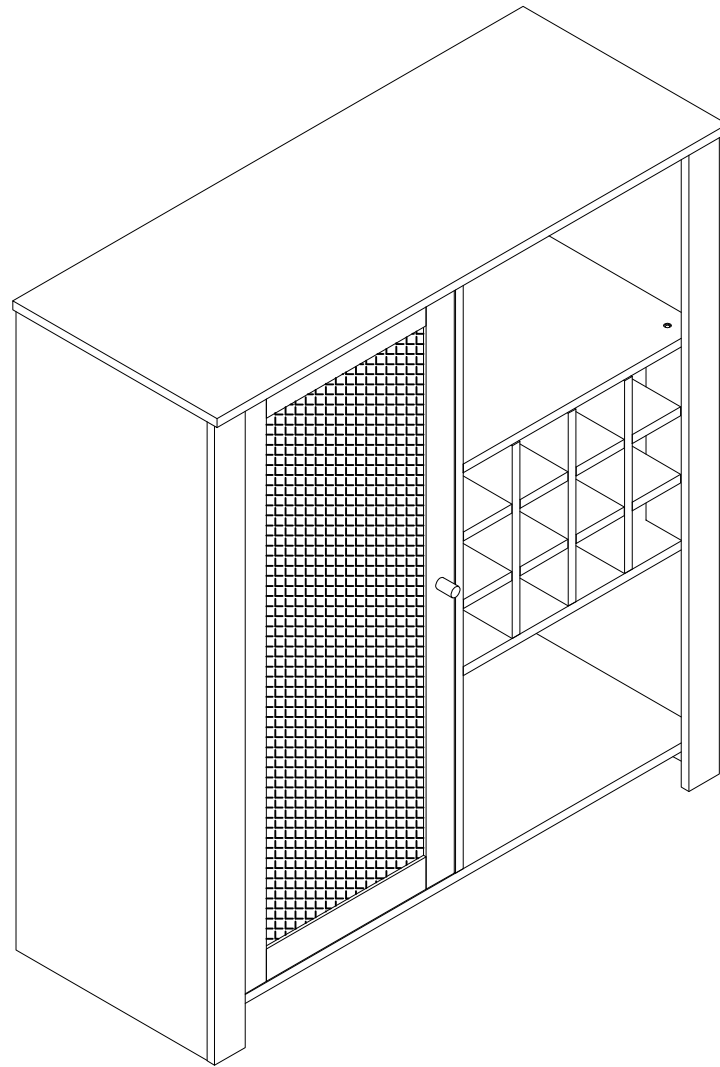


P*2

14



15



---END---