

ASSEMBLY INSTRUCTIONS

TOOLS REQUIRED:

Allen Wrench (Provided, Part C)

BEFORE YOU START:

1. Check the hardwares against the hardware list to make sure all items are present.
2. Assemble your furniture on a soft, flat surface to avoid scratching the finish.
3. Caution: Do not over tighten screws, nuts or bolts during assembly.
4. Your furniture may require occasional tightening.

INSTRUCTIONS:

1. Turn the table on to a clean soft surface.
2. Attach bottom shelf to four legs using Bolt (B) and Spring Washer (D) and Flat Washer (A) and tighten with the Allen Wrench (C). As Shown in Figure 1.
3. Attach four legs to top using Bolt (B) and Spring Washer (D) and Flat Washer (A) and tighten with the Allen Wrench (C). As Shown in Figure 2.
4. Tighten all bolts before setting table back upright.

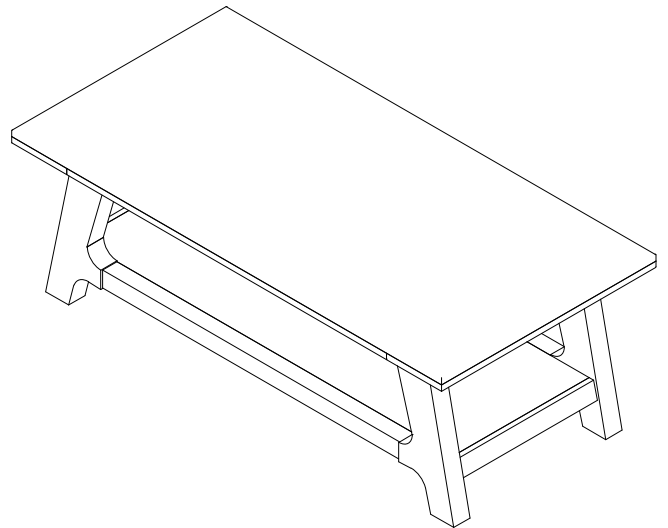


Figure 1

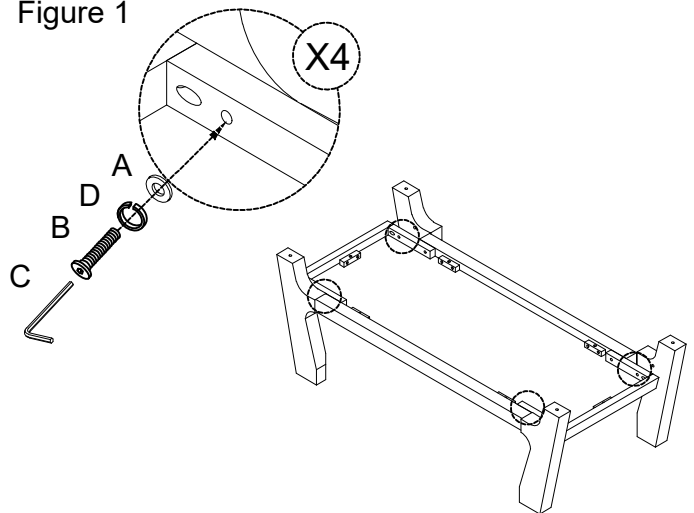
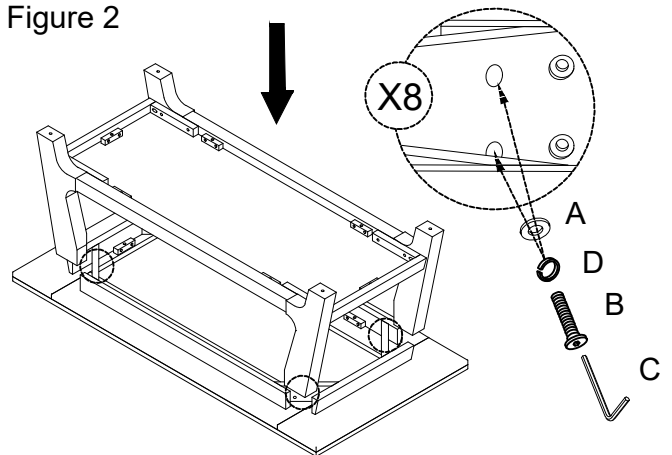






Figure 2



HARDWARE LIST

A		Flat Washer	12pcs
B		Bolt(1/4" *1 3/4")	12pcs
C		Allen Wrench	1pc
D		Spring Washer	12pcs