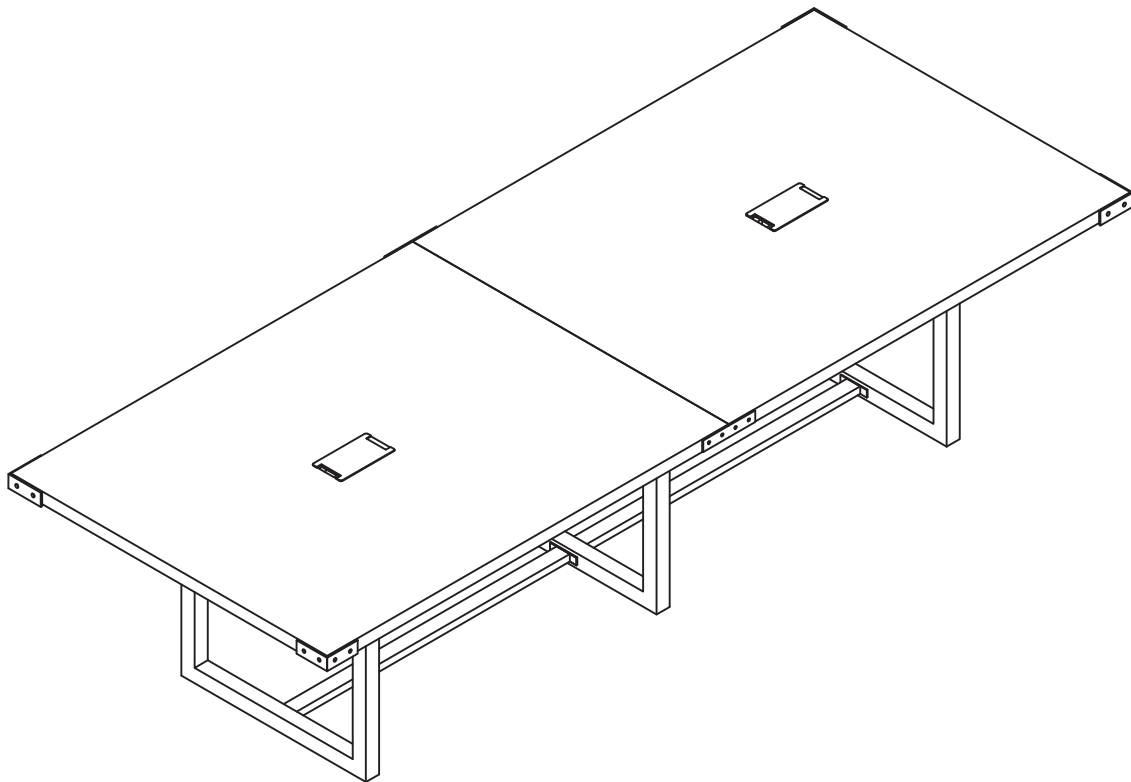
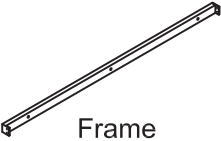
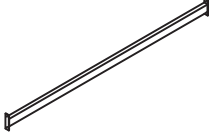

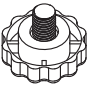
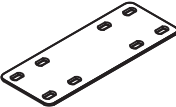
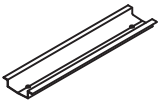
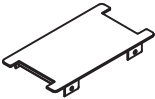
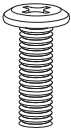

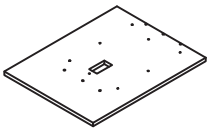
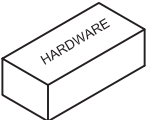


120" 1/2 Sitting Conference Table



PARTS LIST

Name	Part	Qty.	Spare Qty
F	 Frame	2	
G	 Foot Rest	1	
H	 Stand-off Ø20x76	2	
I	 Leveler	2	
J	 260*100*3mm	1	
K	 570mm	1	

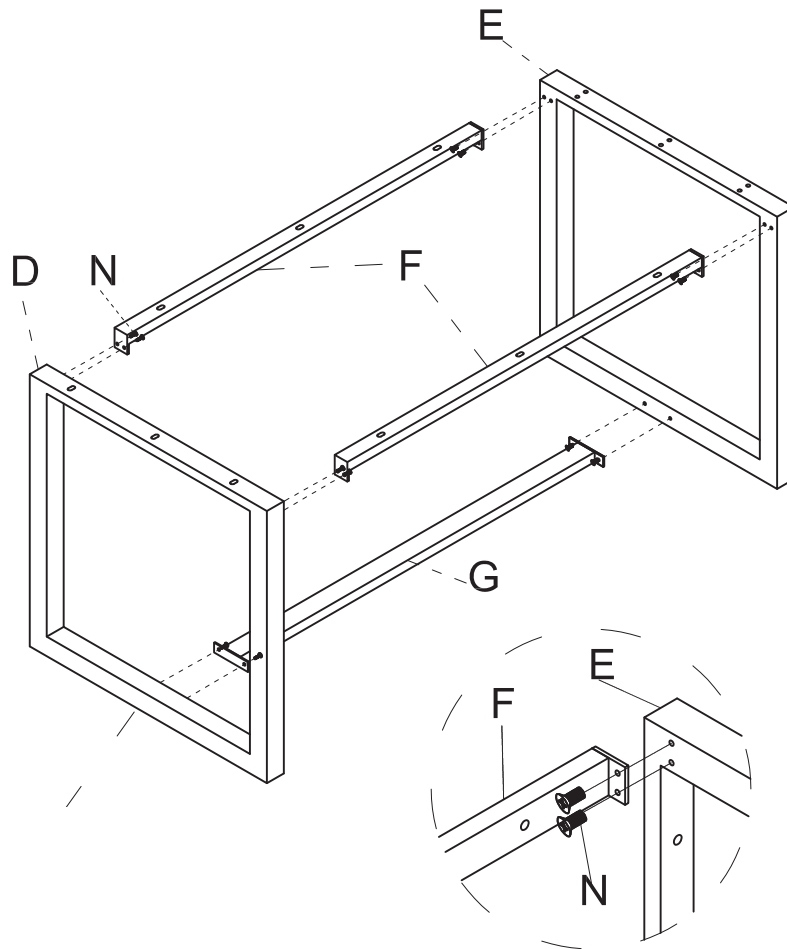
Name	Part	Qty.	Spare Qty
L	 Grommet	1	
M	 M6*35mm	12	1
N	 M6*15mm	20	1
O	 Top Panel	1	
	 HARDWARE		

Items with HB are in hardware box.

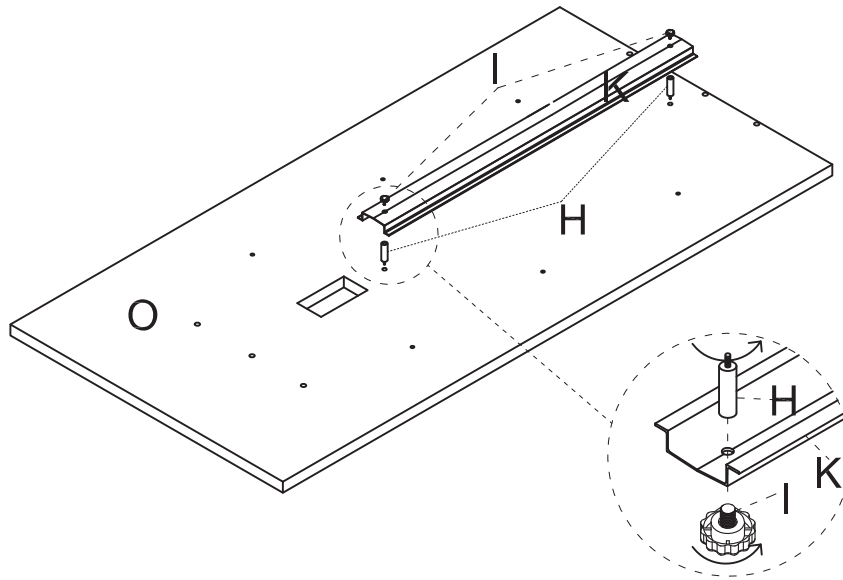
IMPORTANT!

Review ALL instructions before beginning assembly. These instructions are provided to avoid problems that may occur from improper assembly or installation. and/or its distributor are not responsible for failure resulting from improper assembly or installation of this product. Moreover, all warranties are void for failure to follow these assembly instructions.

- 1 Use Screw (N) to connect Leg (D), Middle leg (E), Frame (F) and Foot Rest (G) together;



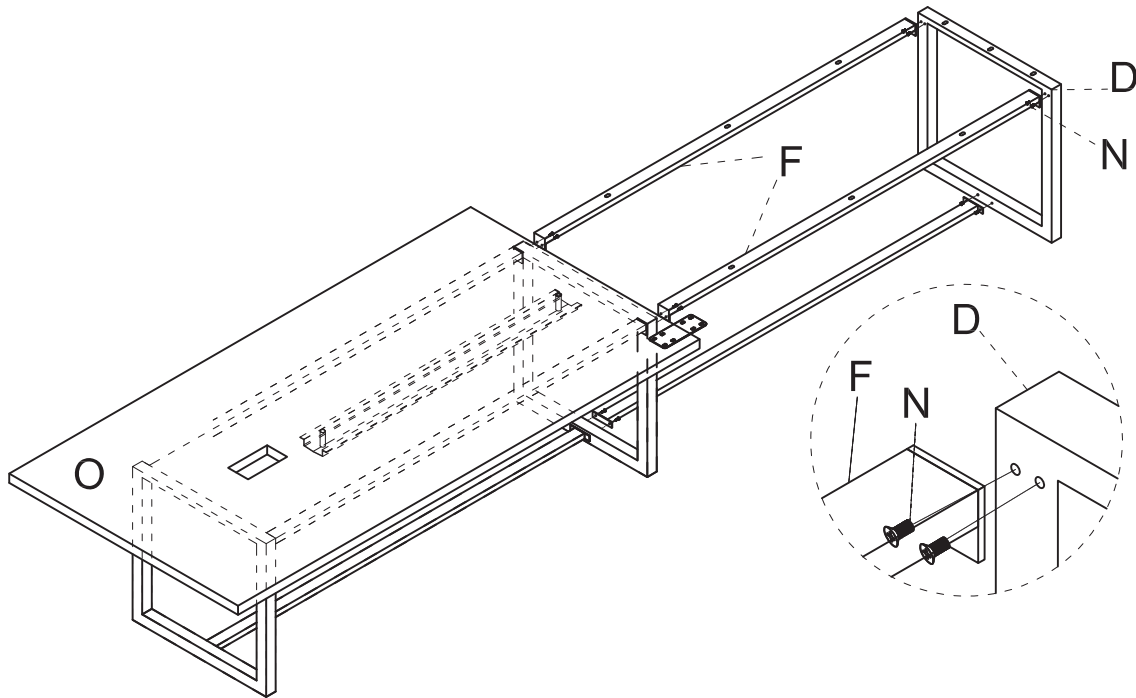
- 2** Lock the Stand-off (H) to the Top Panel (O), Use the Leveler (I) to connect the Wire Management Tray (K) to the Stand-off (H);



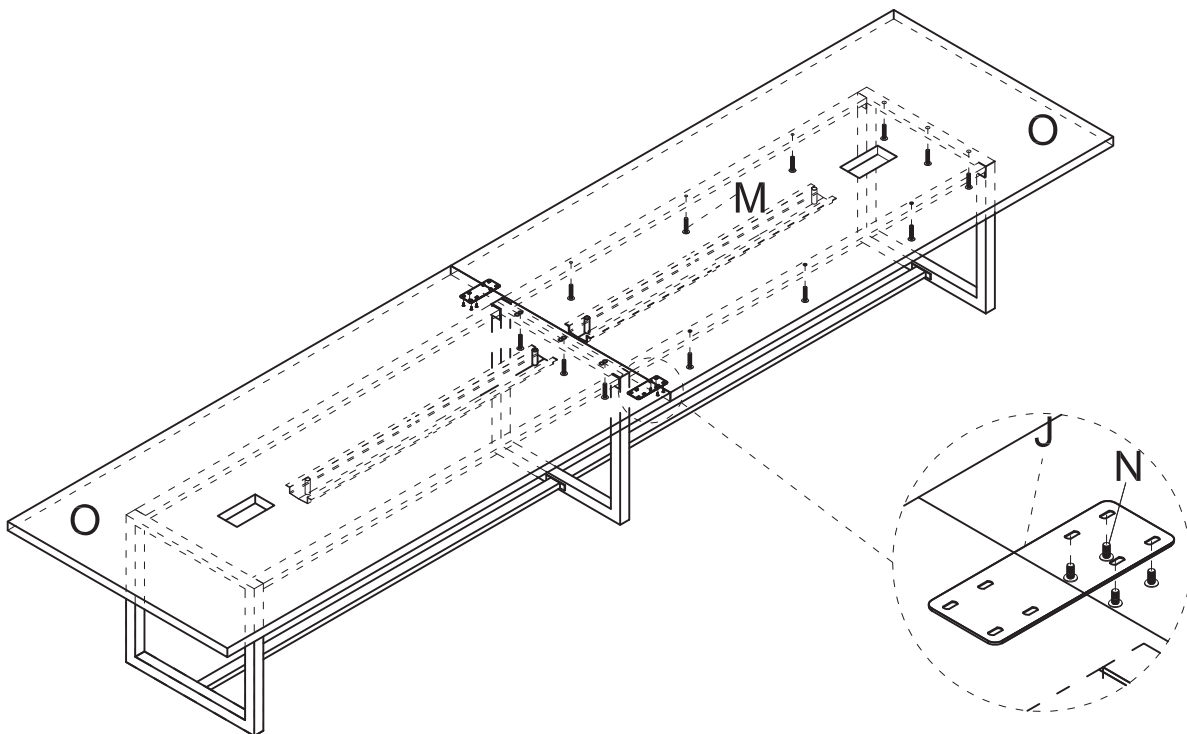
- 3** Use the Screw (M) to connect the Frame (F) and the Top (O), Use the Screw (N) to connect the Bracket (J) and the Top (O);



- 4** Use the Screw (N) to connect the Leg (D), the Middle Leg (E), the Frame (F) and the Foot Rest (G) together;



- 5** Use the Screw (M) to connect the Frame and the Top (O), Use the Screw (N) to install the Bracket (J) to the Top;



- 6** Use the Screw (C) to install the L Bracket (A) to the Top Conner, Use Screw (C) and Flat Bracket (B) to install both of the Top panels; Put the Grommet (L) on the Top.

