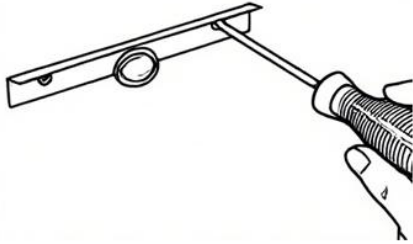
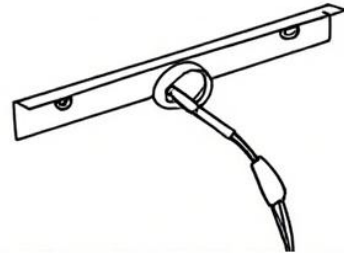


STALLATION DIAGRAM

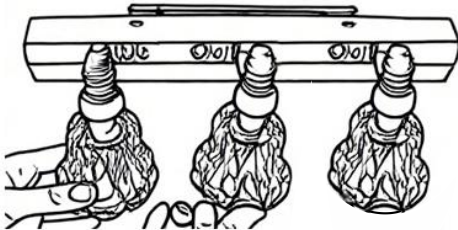
STEP 1



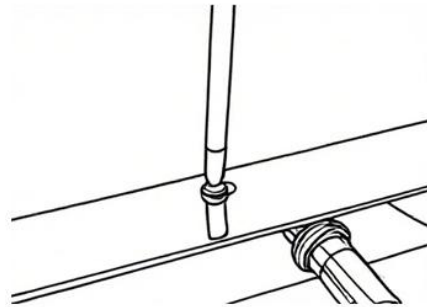
STEP 2



STEP 3



STEP 4



1. Use an electric drill to make two holes in the wall, then install the mounting plate on the wall with screws.
2. Connect the pre - reserved wires at home to the lamp's power cord (turn off the power in advance).
3. Fix the lamp to the mounting plate and align the screw holes.
4. Secure the lamp to the mounting plate with screws to complete the installation.