

# ASSEMBLY INSTRUCTION

## ITEM DESCRIPTION:

ITEM NO: 5523

NAME: Kilpatrick Tall Cabinet

MATERIAL TYPE: Oak Wood

FINISH: Tortoise

ITEM NET WEIGHT: 264.6 LBS

Figure 1

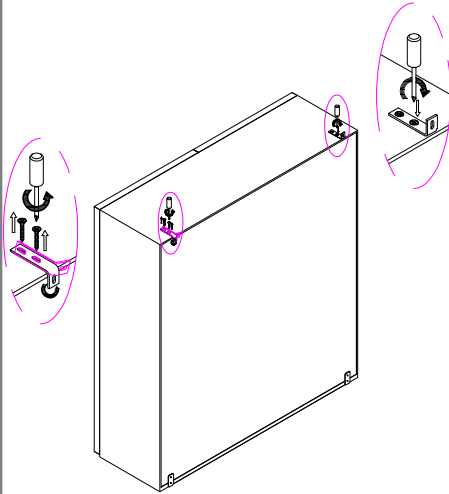


Figure 2

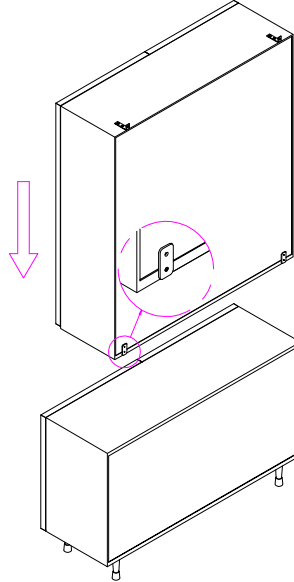


Figure 3

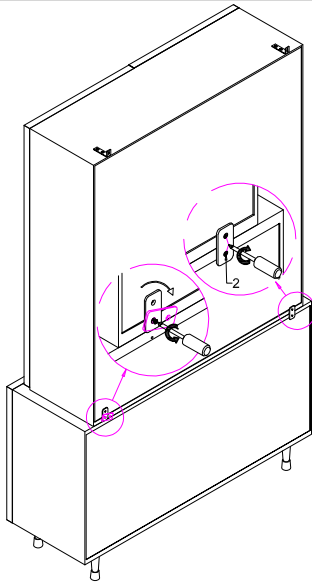
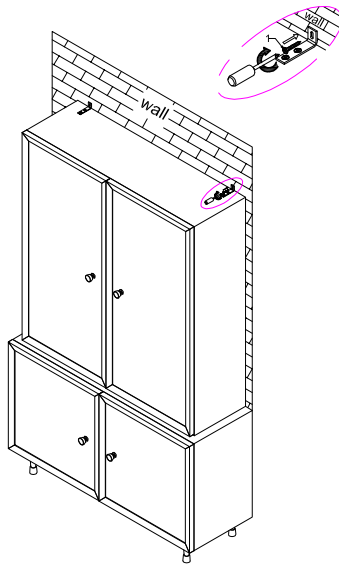


Figure 4



- Do not throw away packaging materials until assembly is complete.
- Assemble this item on a soft surface to protect finish.
- For safety, proper assembly requires two people.

### TO ASSEMBLE:

1. After unpacking the top, using the screwdriver to remove the L bracket, flip over and fix it again, as shown in figure 1.
2. Place the base on the floor. Lift the top cabinet then place it on the the base, align as figure 2. At least four people are required to lift the heavy part in this case.
3. At the back side, using the screwdriver to loosen the screw, turn the metal plate 180 degree to the base and fix again by screw.
4. Move the cabinet to it's final position and check the stability of the cabinet. Attach the cabinet on the wall, as the figure 4.

### PARTS INCLUDED:

Parts	Qty
Top	1
Base	1
L bracket	2
Metal plate	2
Screw	10

### CARE INSTRUCTIONS:

Hardware may loosen over time. Periodically check that all connections are tight. Wipe with a soft, dry cloth. To protect finish, avoid the use of chemicals and household cleaners.