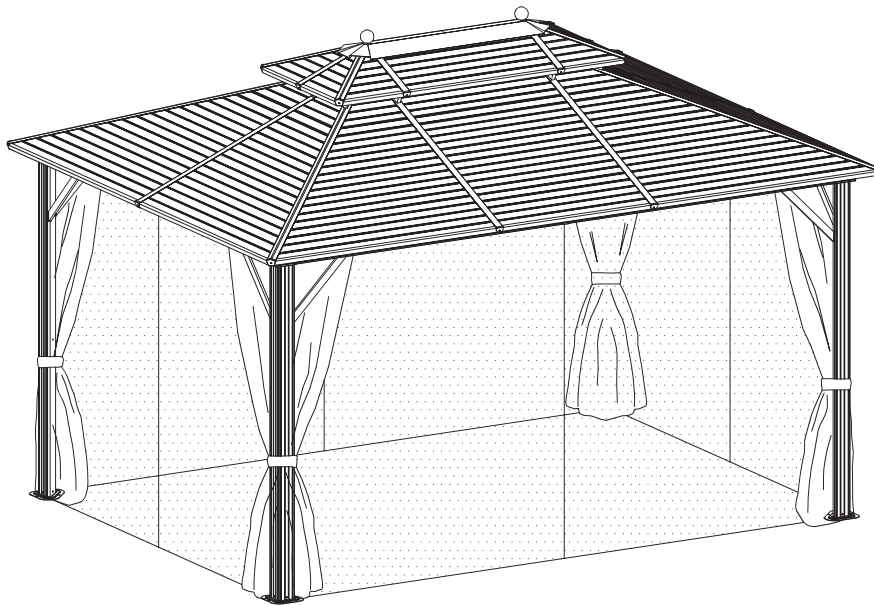


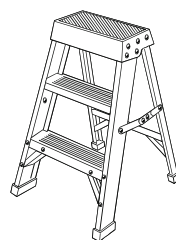
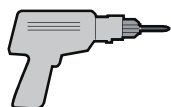
10 x 13 FT

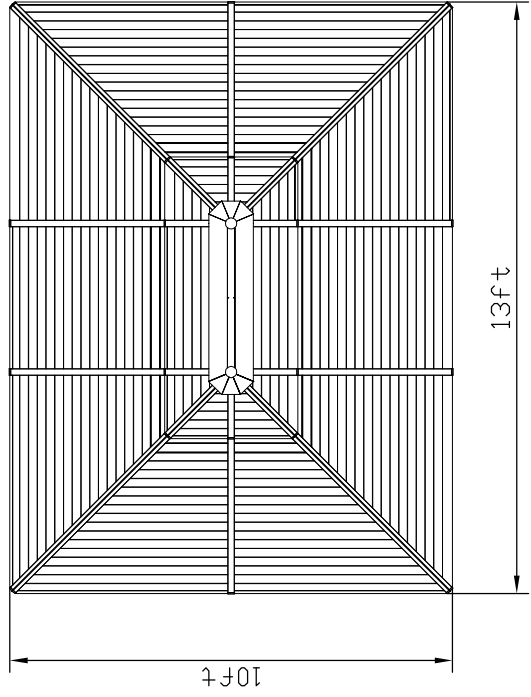
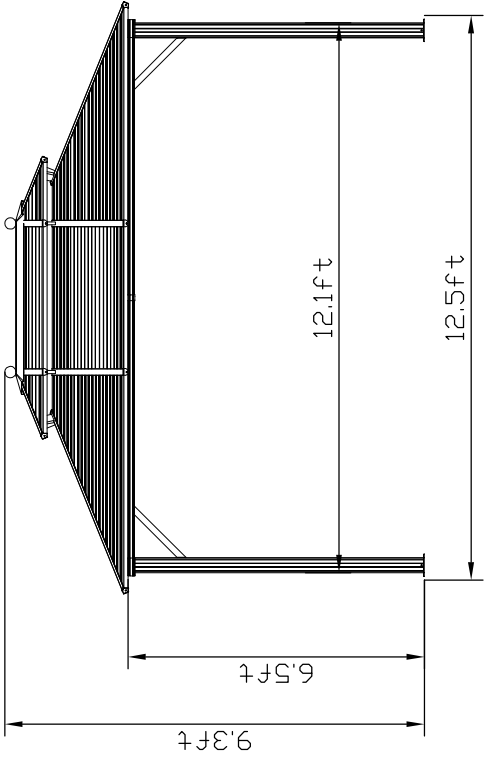
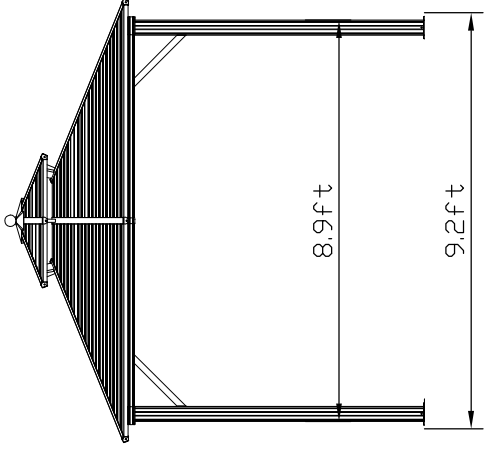
□ □ □ □ □ □ □ □ HWG20 - 035 □ □ □ □ □ □ □ □



At least need 3person work together

REQUIRED TOOLS







A 4x



B 2x



B1 2x



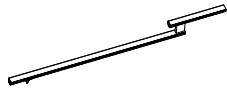
C 2x



C1 2x



E 4x



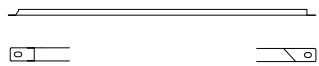
E1 6x



F 2x



F1 4x



F2 4x



G 4x



G1 4x



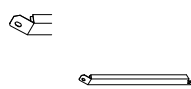
G2 4x



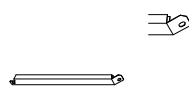
G3 2x



G4 2x



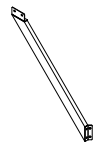
D1 4x



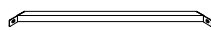
D2 4x



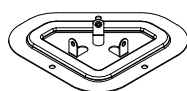
H1 4x



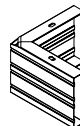
H2 4x



H 4x



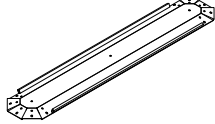
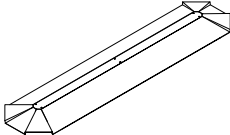

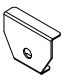
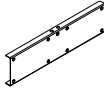
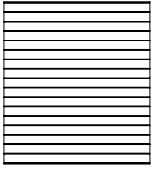
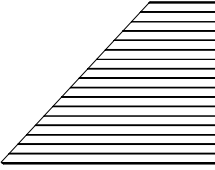
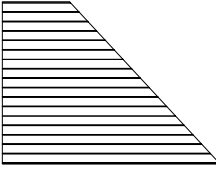
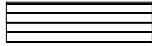


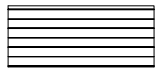
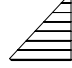
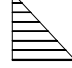

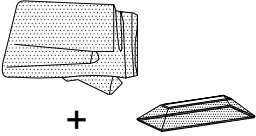

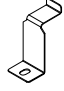
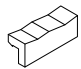
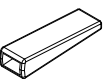


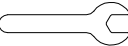






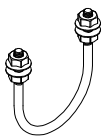
J 4x



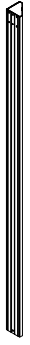
K 4x



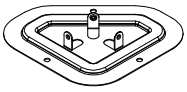
K1 4x

			
(L) 1x	(M) 1x	(N) 12x	(N1) 12x
			
(P) 4x	(Q) 2x	(Q1) 4x	(Q2) 4x
			
(R) 2x	(R1) 4x	(R2) 4x	(S) 2x
			
(S1) 4x	(S2) 4x	(T) 4x	(T1) 4x + 1x
			
(U) 112x	(V) 4x	(Y) 20x	(Y1) 12x
			
(Za) 2x	1x		
			
	1x		
			
M6x15 (1) 167x	M5x12 (3) 36x	ST4.8x12 (4) 24x	(5) 2x
			
ST4x8 (7) 12x	(9) 12x	(10) 1x	

<1>



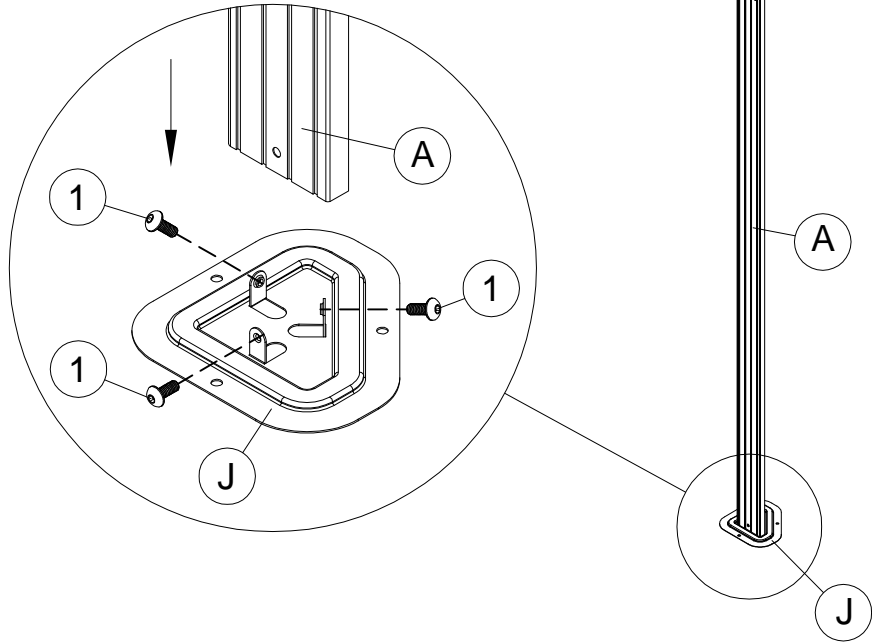
A 4x



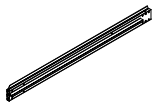
J 4x



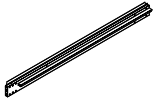
1 12x M6x15



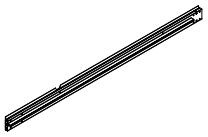
<2>



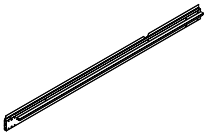
B 2x



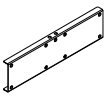
B1 2x



C 2x



C1 2x

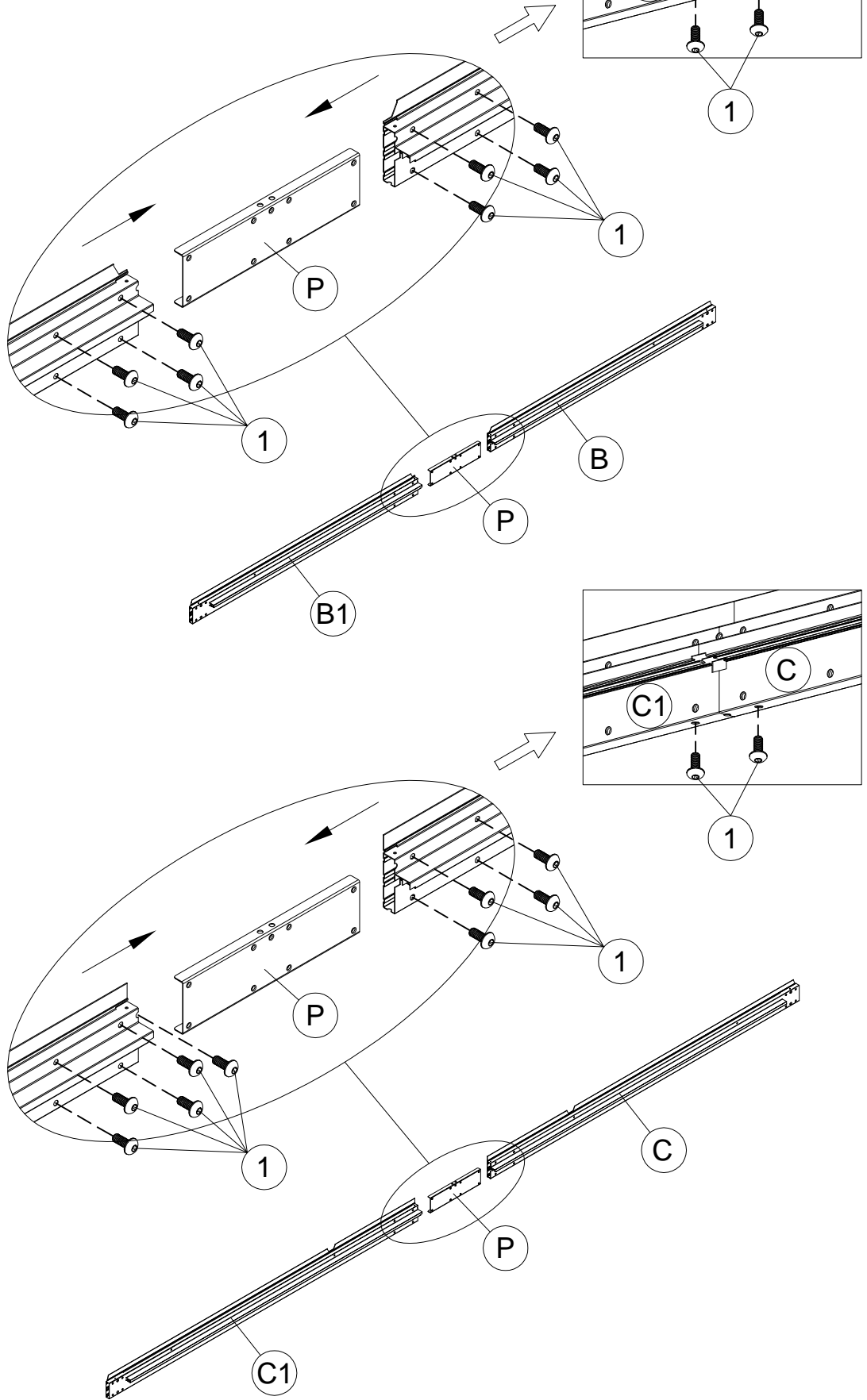


P 4x



1 42x M6x15

5

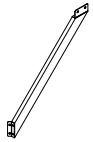
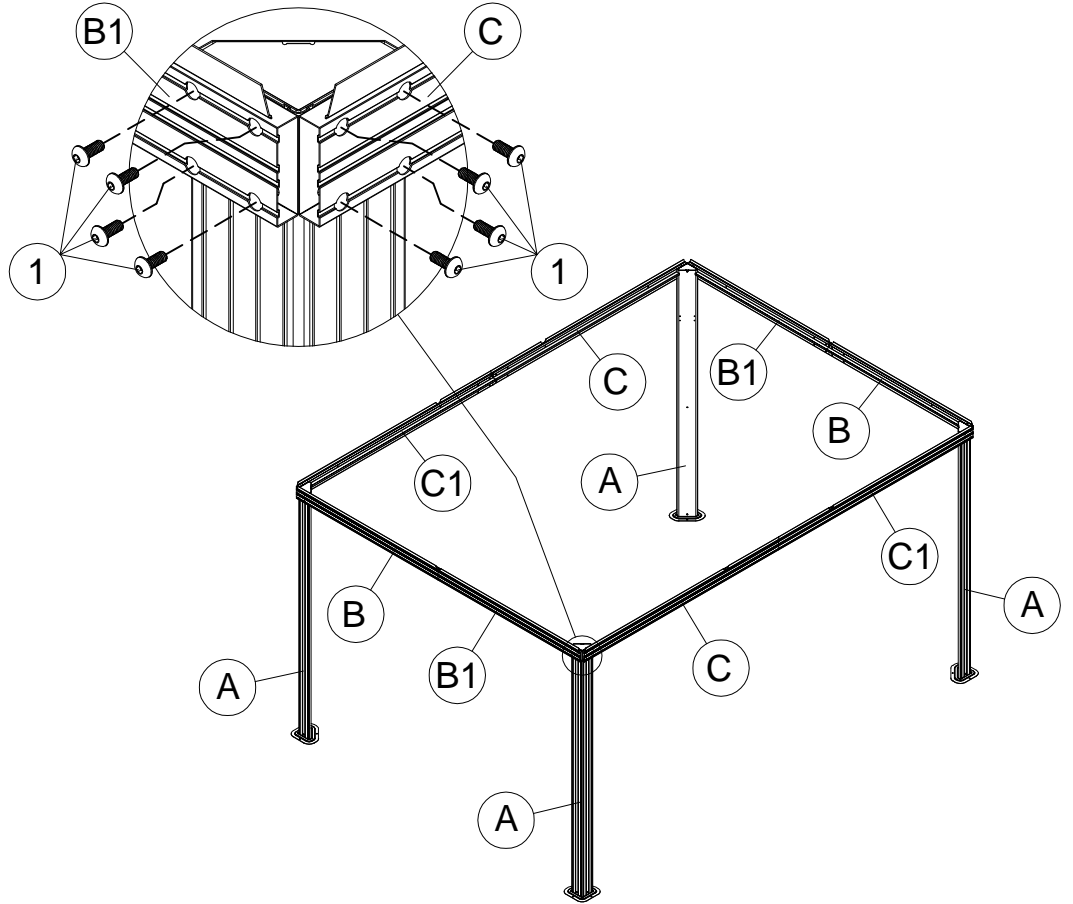




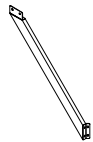
M6x15

1 32x

<3>



H1 4x



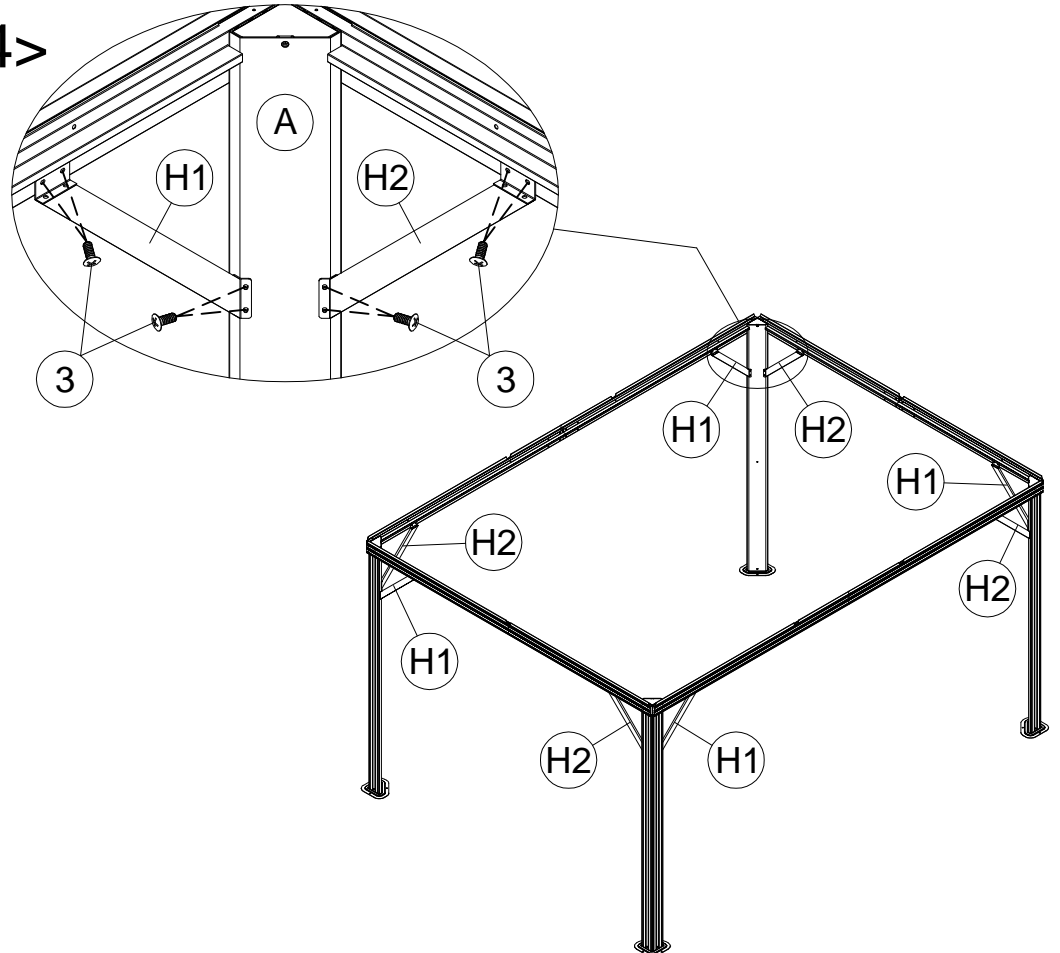
H2 4x



M5x12

3 32x

<4>



6

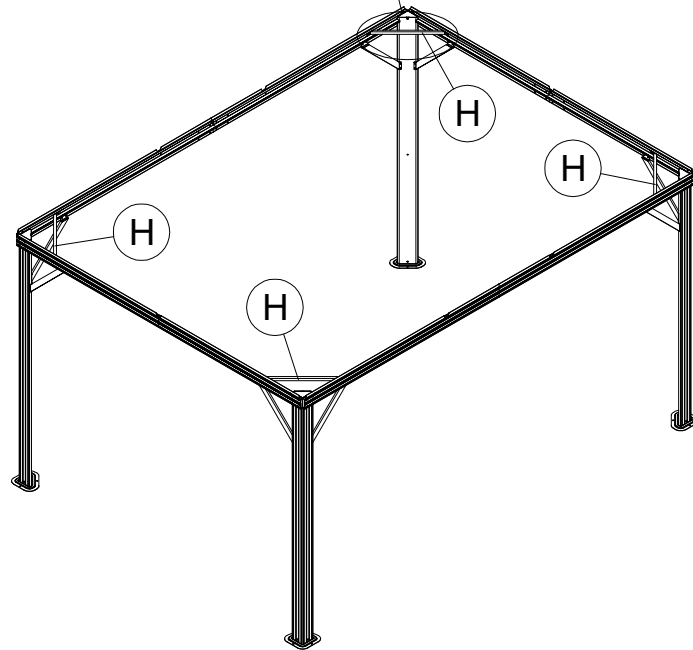
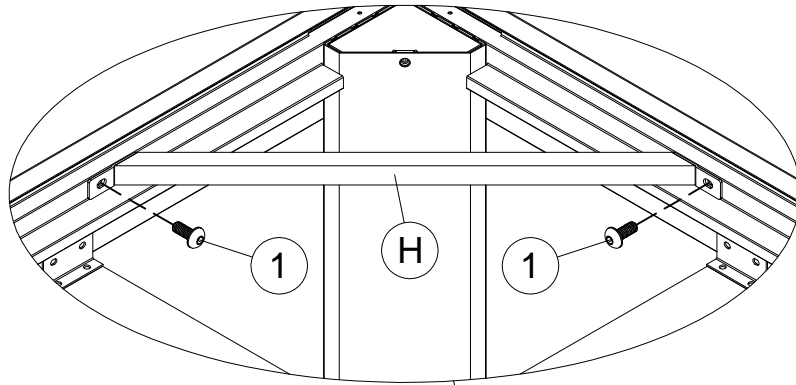


<5>

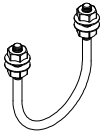
H 4x



1 8x M6x15

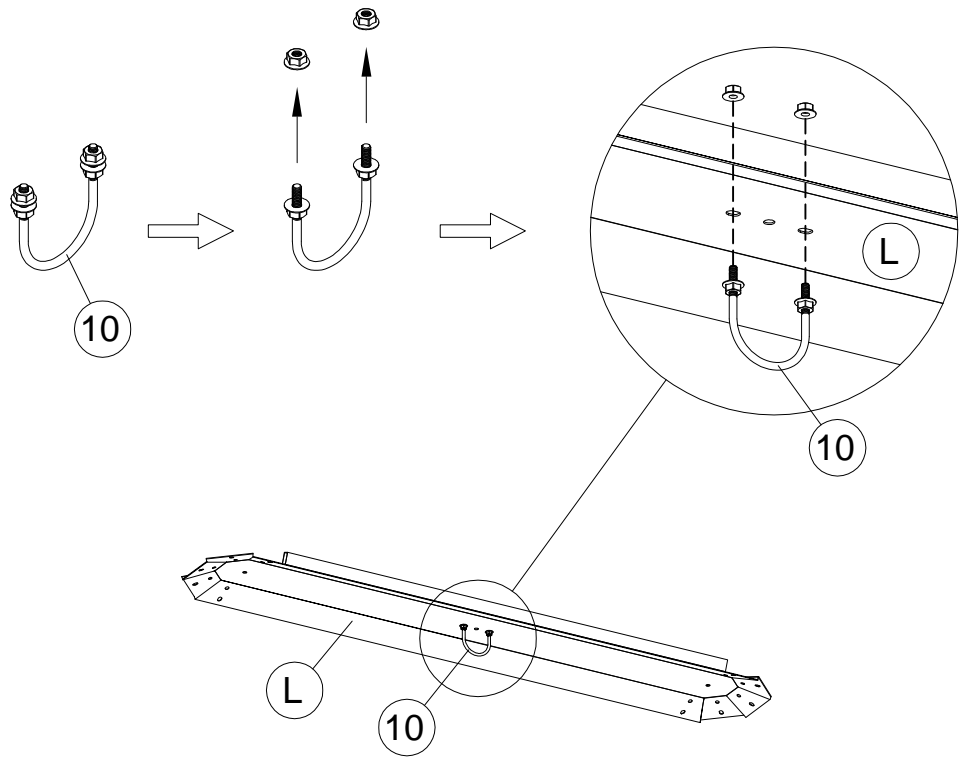


7



<7>

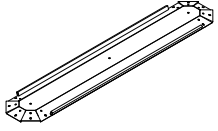
10 1x





<8>

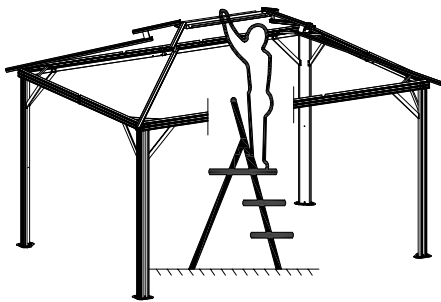
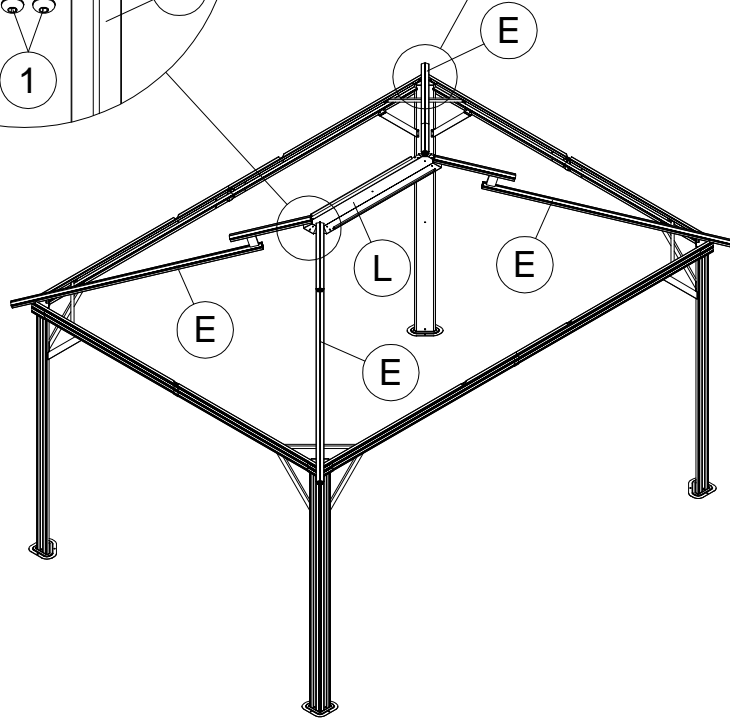
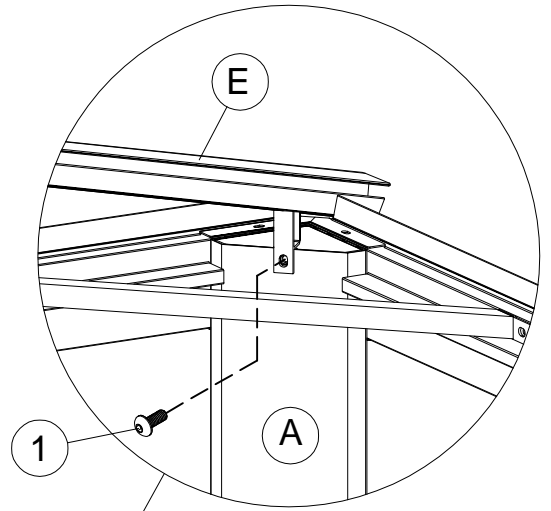
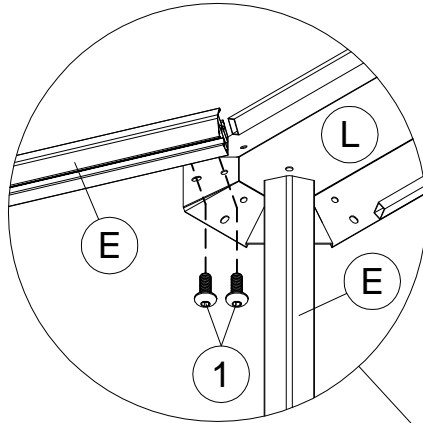
E 4x



L 1x



1 12x M6x15



Note:

1. Let one person stand on the ladder to lift " L " and hold, and let others fasten the screws connecting both ends of " E " .

2. Please do not let go of holding " L " until all the " E " screws are installed.

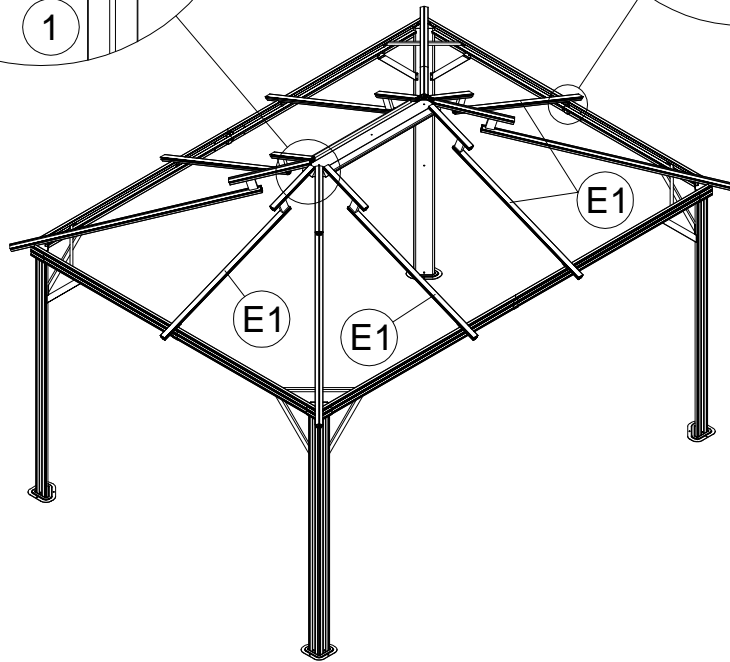
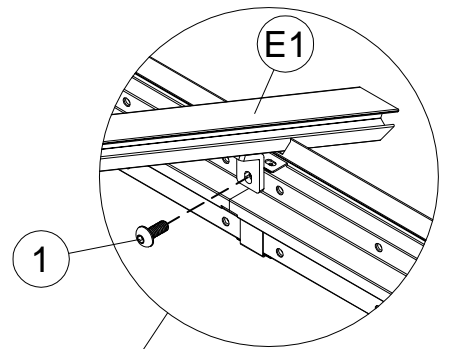
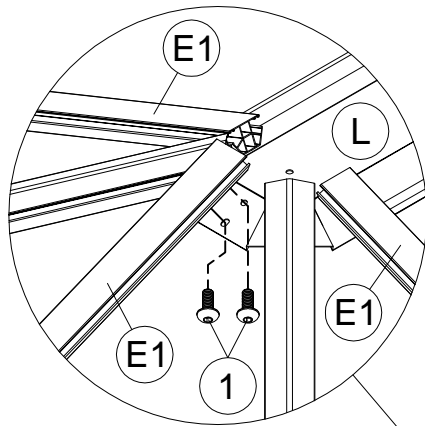


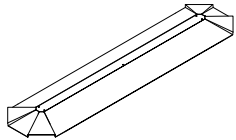
<9>

E1 6x



M6x15
1 18x





(M) 1x



(Za) 2x

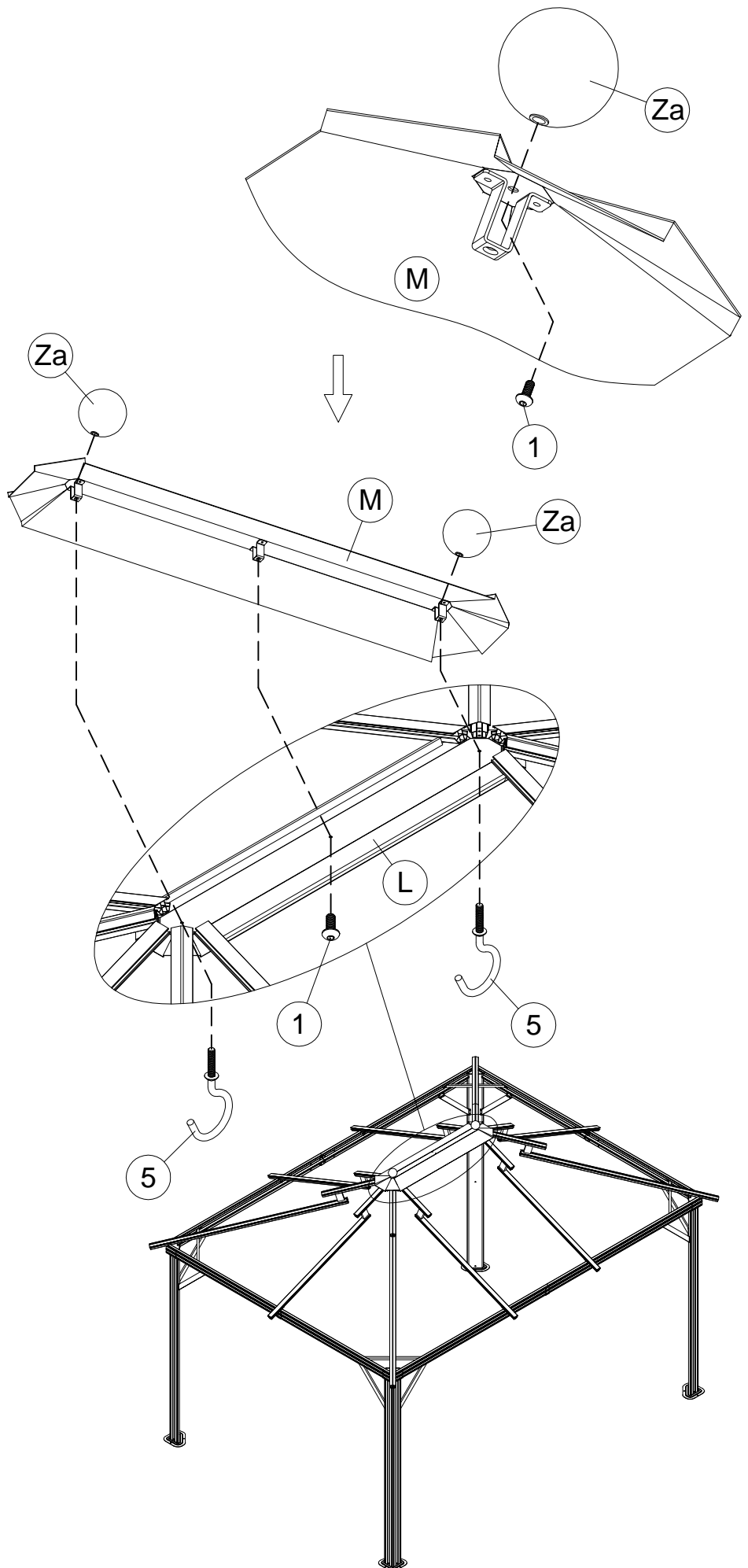


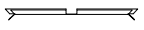
(1) 3x M6x15



(5) 2x

<10>





<11>

G3 2x

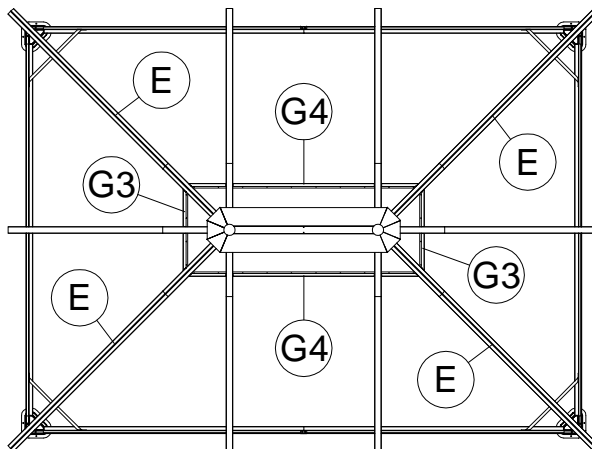
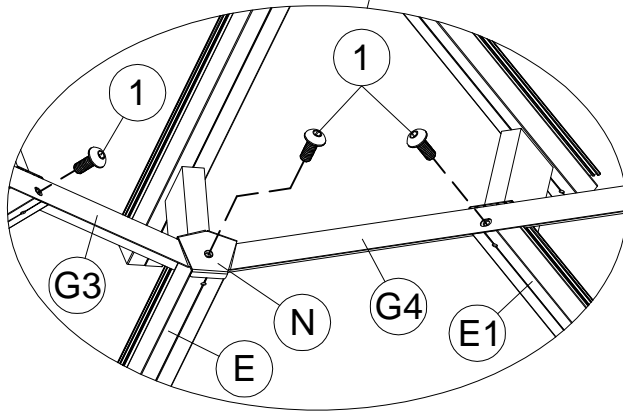
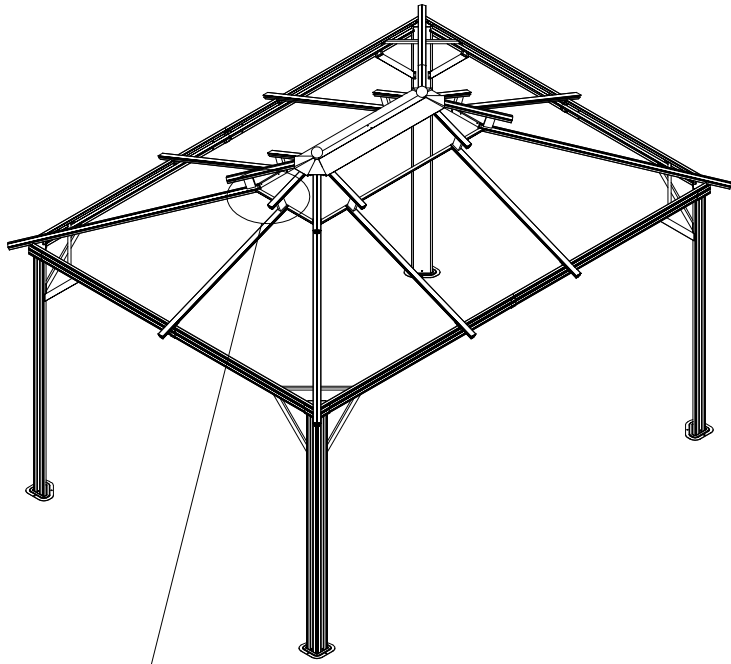
G4 2x

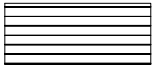


N 4x



1 10x M6x15





S 2x

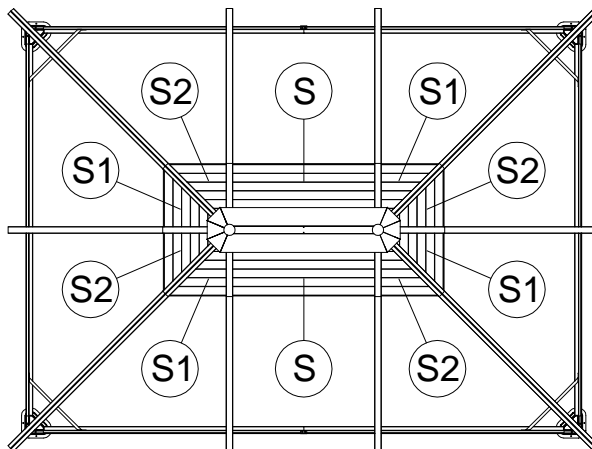
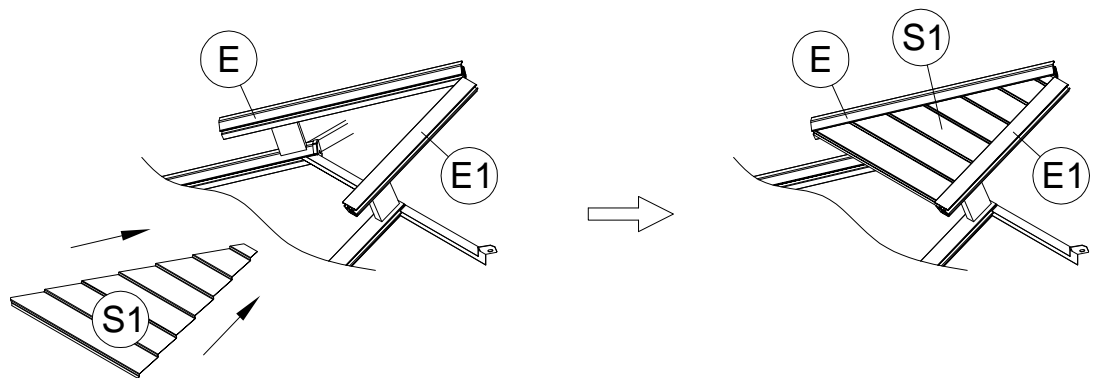
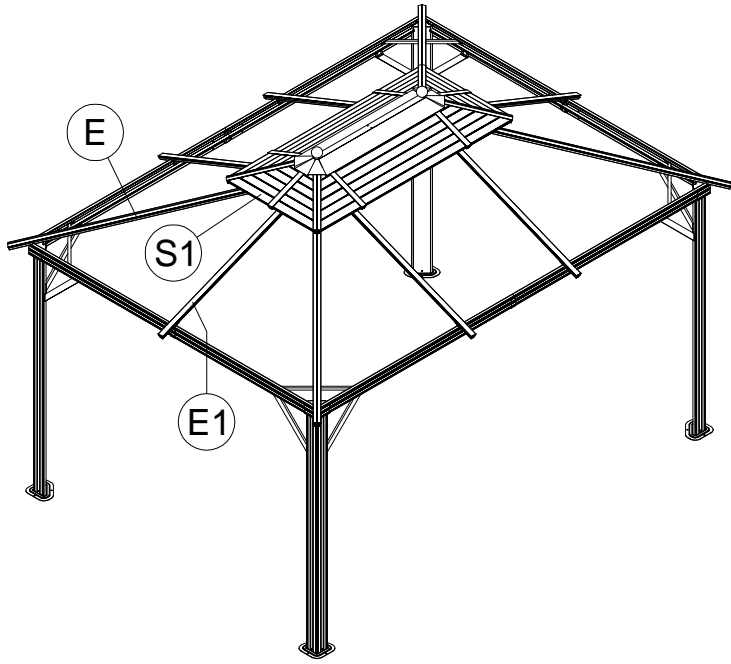


S1 4x



S2 4x

<12>

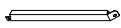


<13>

G 2x



D1 4x



D2 4x



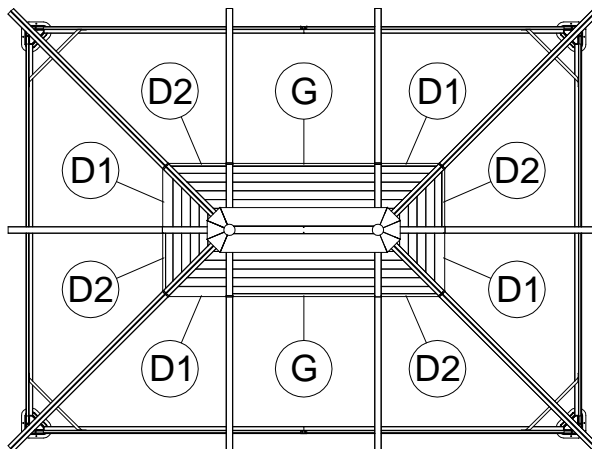
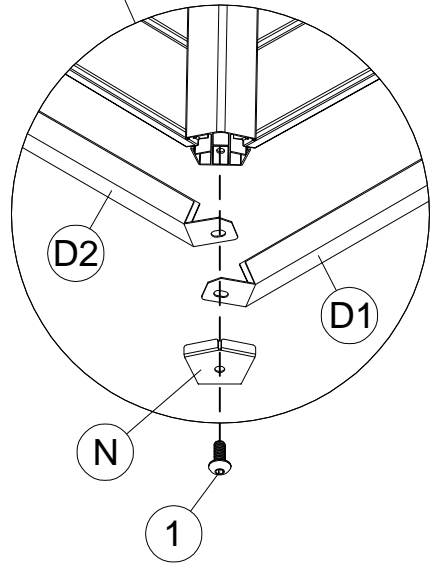
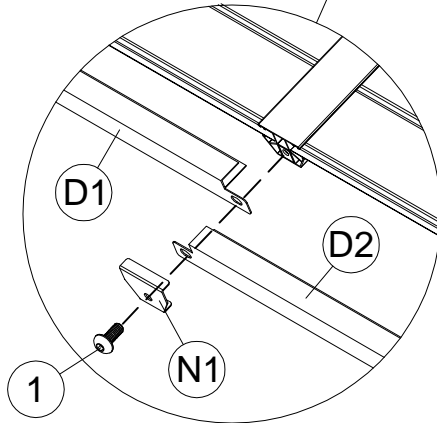
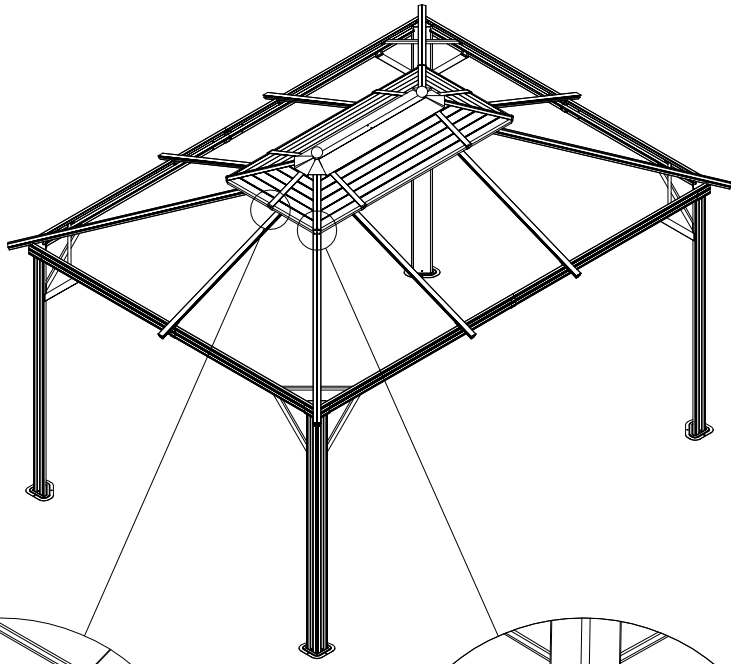
N 4x



N1 6x



1 10x M6x15



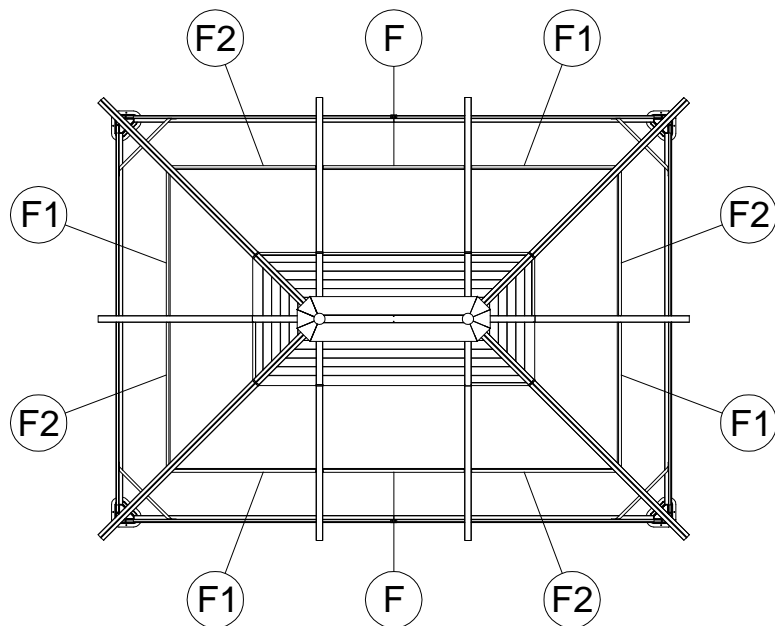
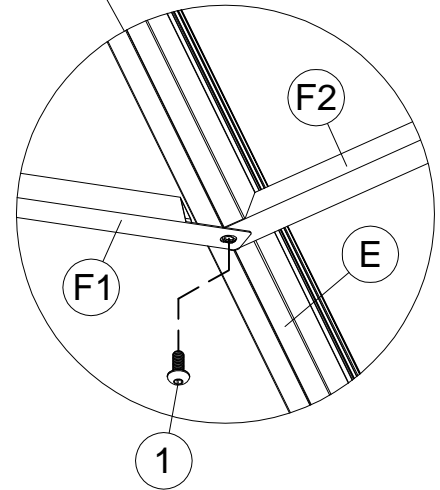
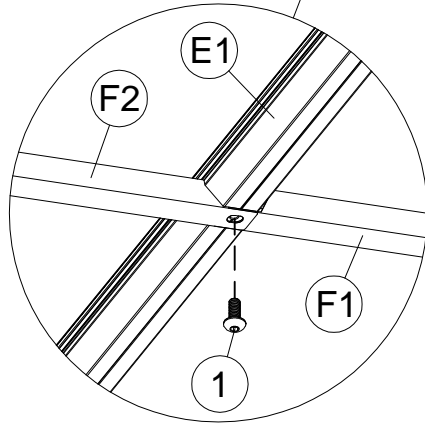
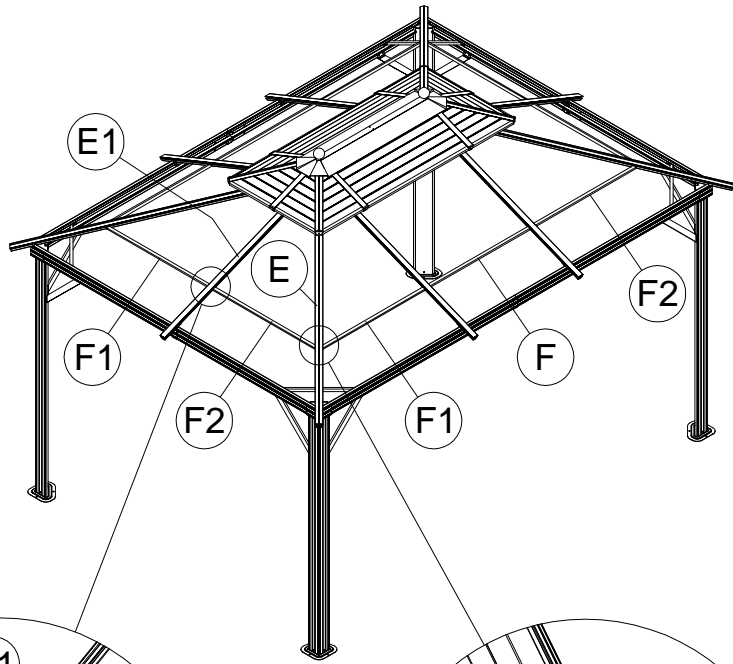
<14>

F 2x

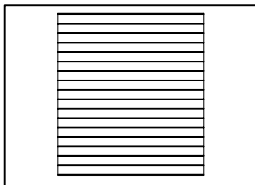
F1 4x

F2 4x

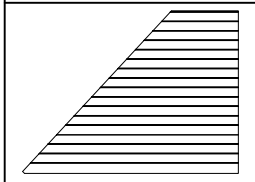
1 10x M6x15



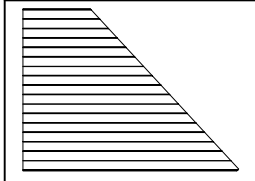
16



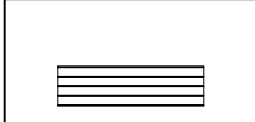
Q 2x



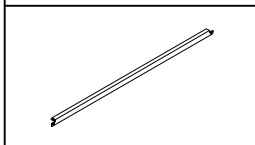
Q1 4x



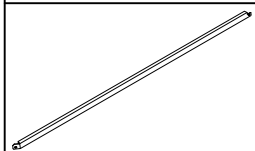
Q2 4x



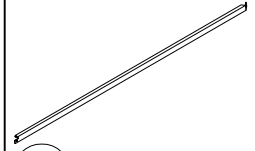
R 2x



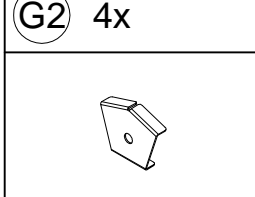
G 2x



G1 4x



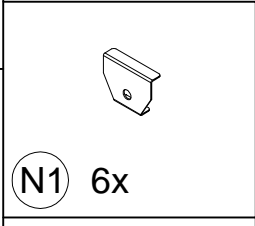
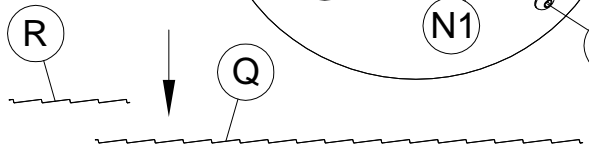
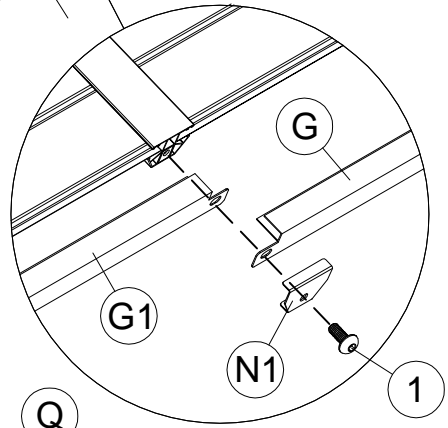
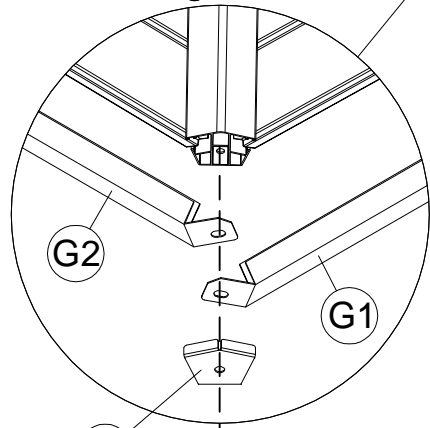
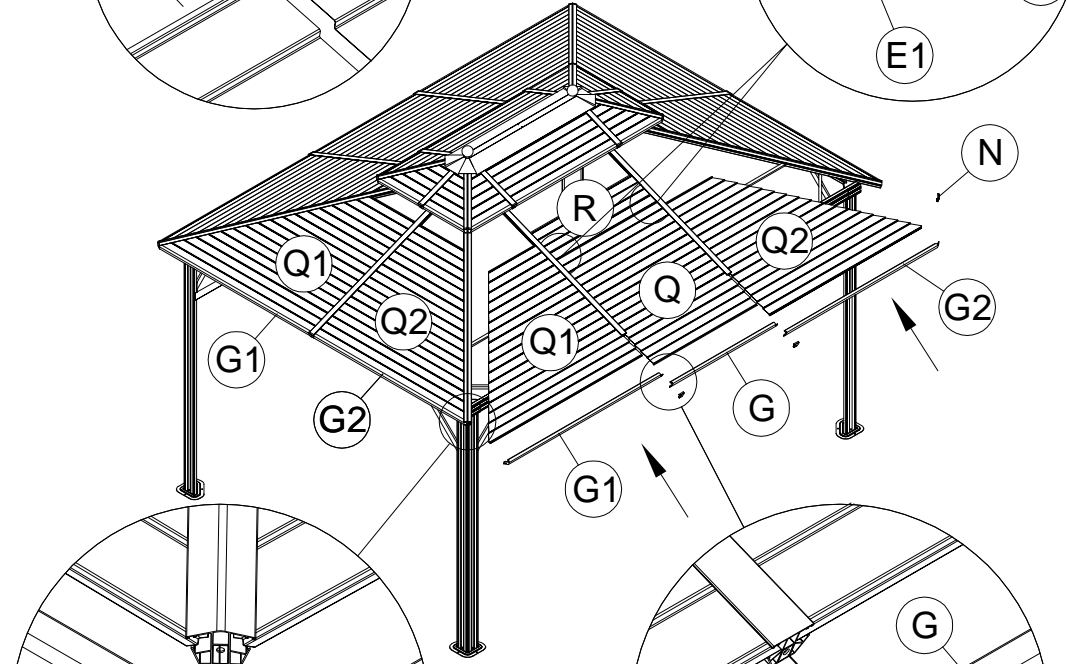
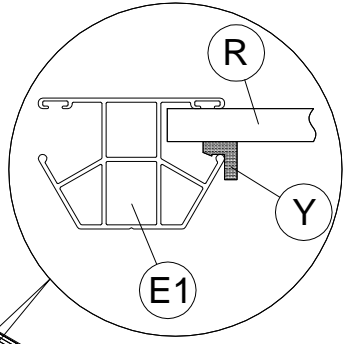
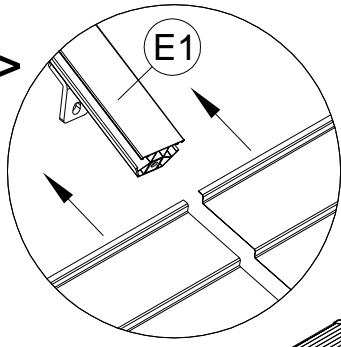
G2 4x



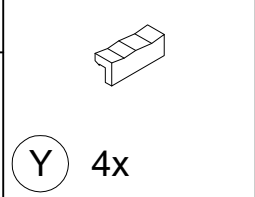
N 4x

17

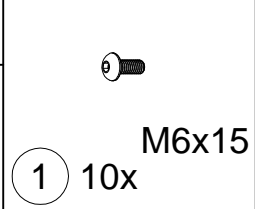
<15>



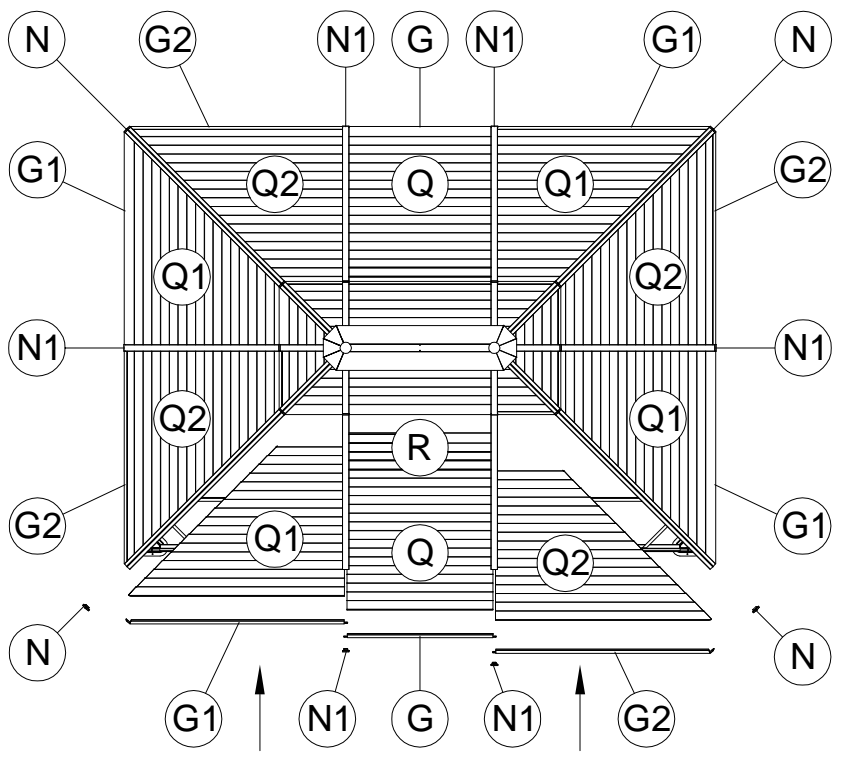
N1 6x



Y 4x



1 10x M6x15





<16>

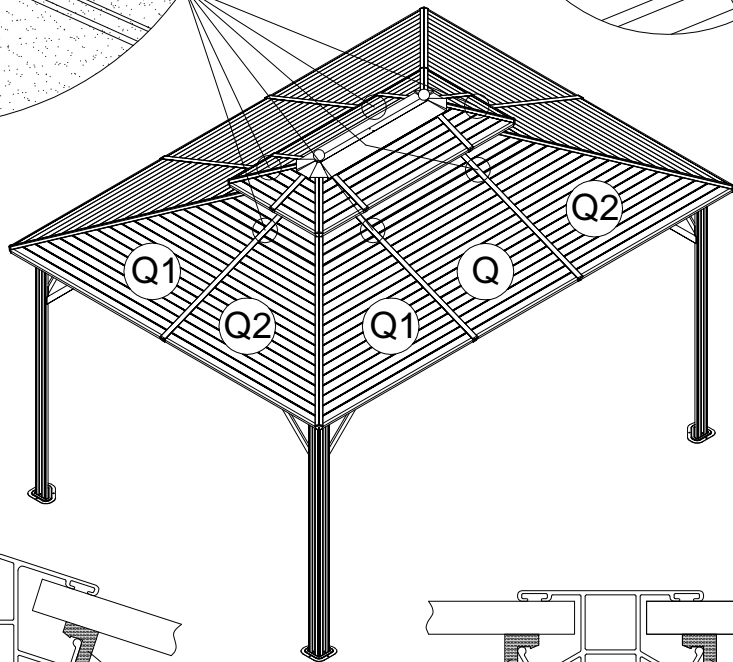
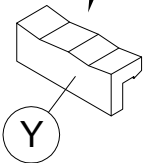
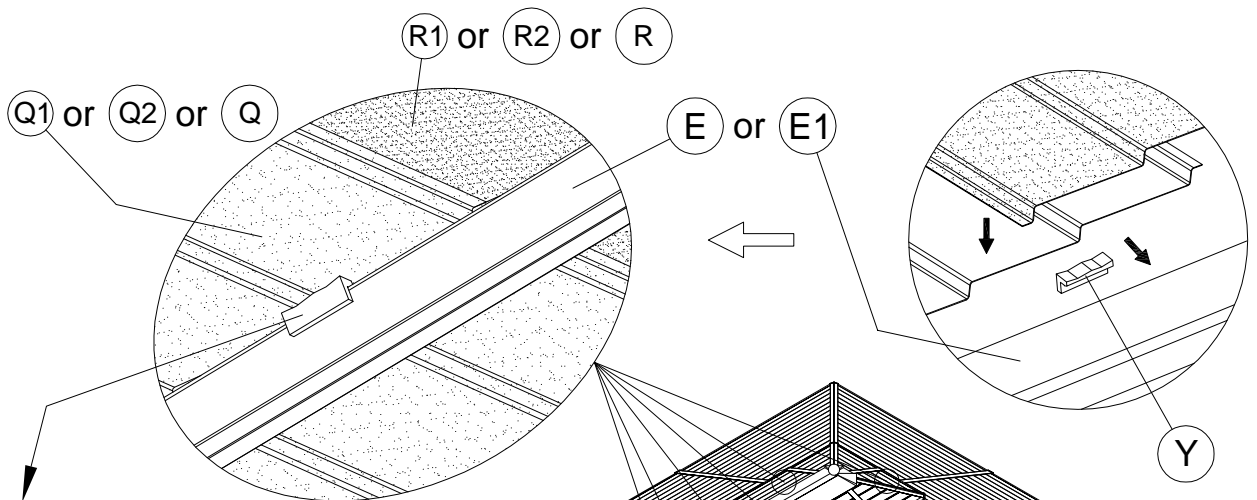
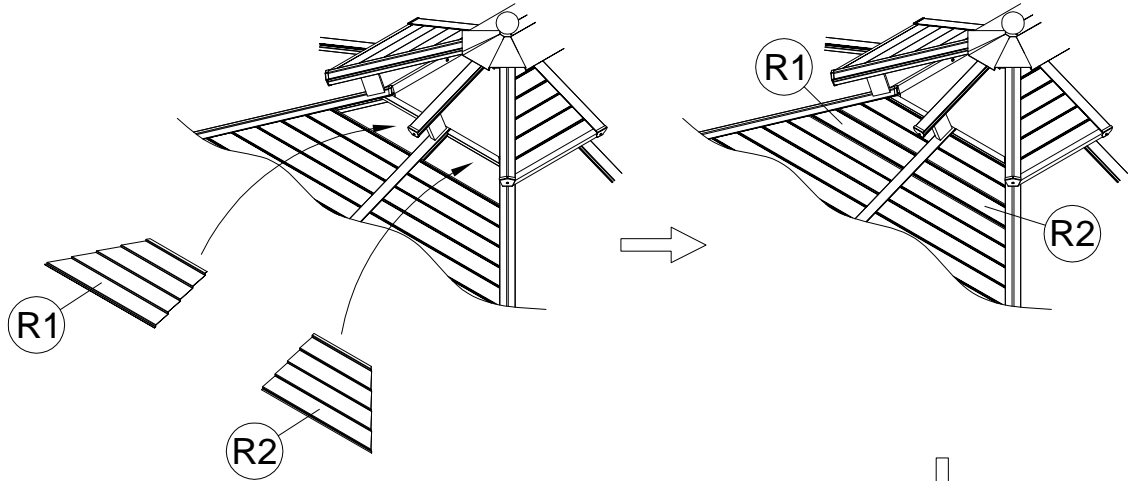
(R1) 4x



(R2) 4x

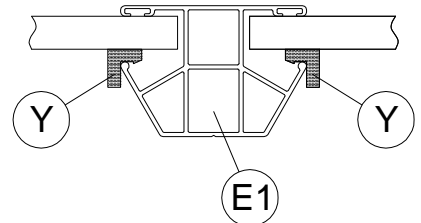
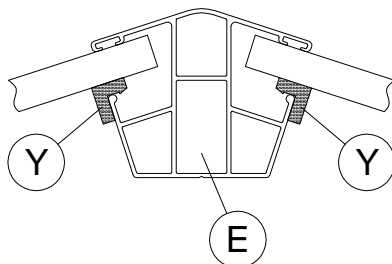


(Y) 16x

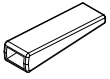


Note:

1. Y is stuck in the position of the edges where the small piece (R1 or R2 or R) and the large piece (Q1 or Q2 or Q) overlap.
2. R1 or R2 or R must pile up on the top of Q1 or Q2 or Q.



18



<17>

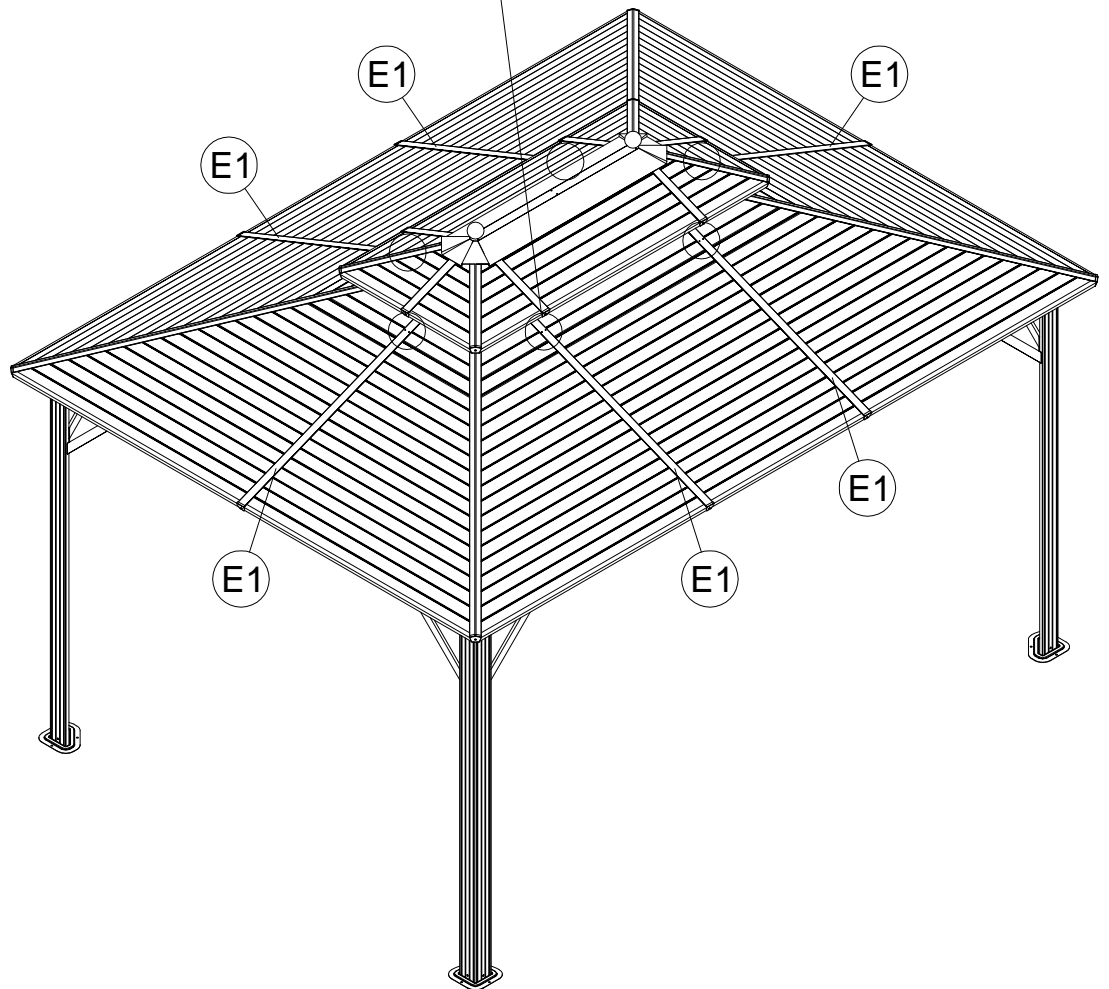
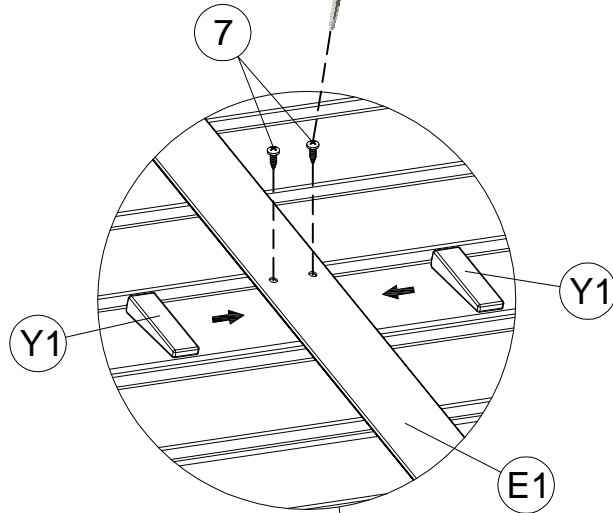
Y1 12x

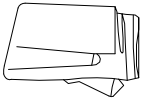


7 12x ST4x8



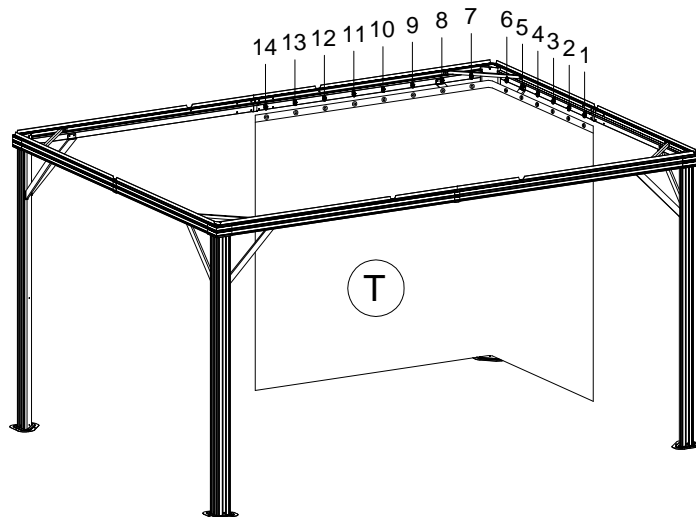
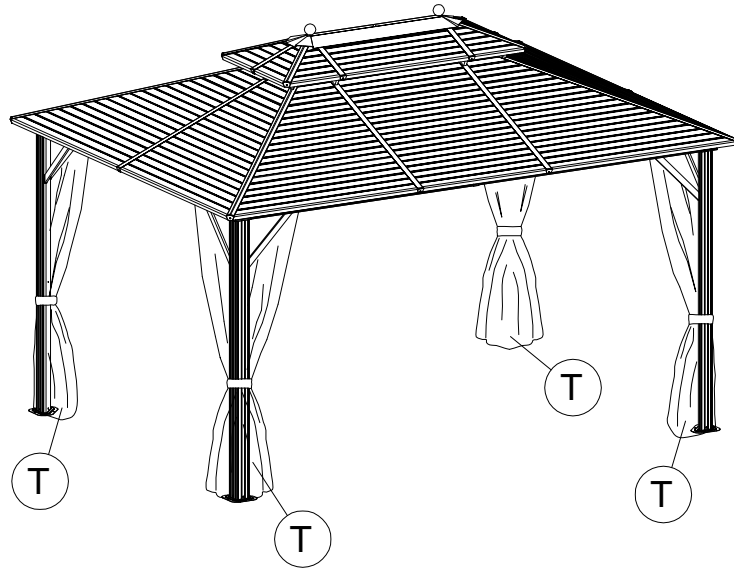
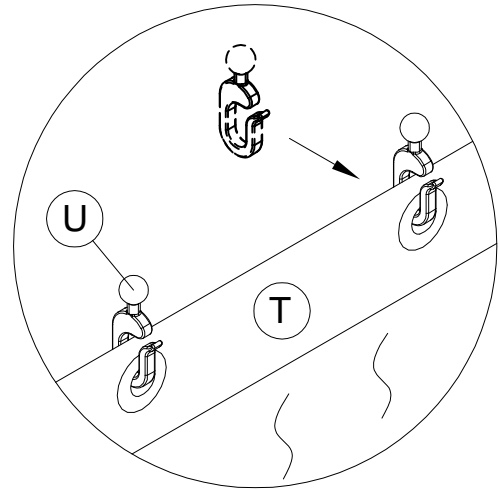
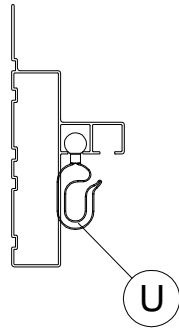
Note: pls use power tools to drill the screws.

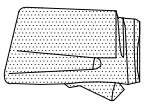




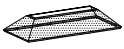
<18>

T 4x



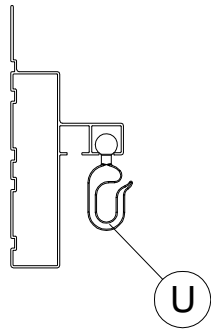


+

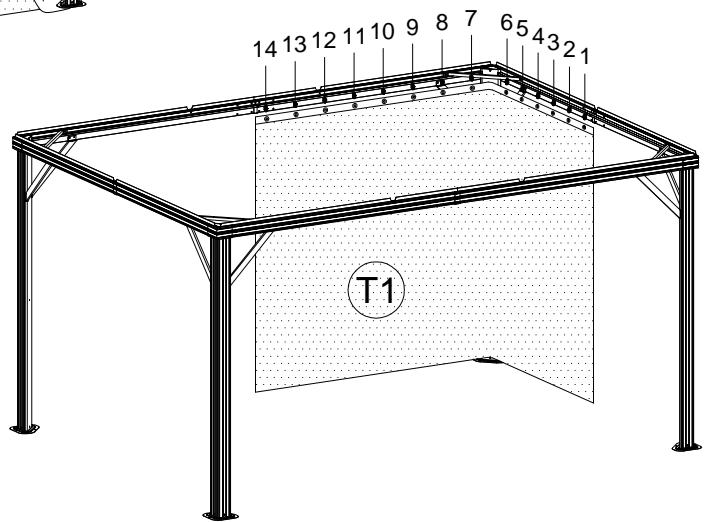
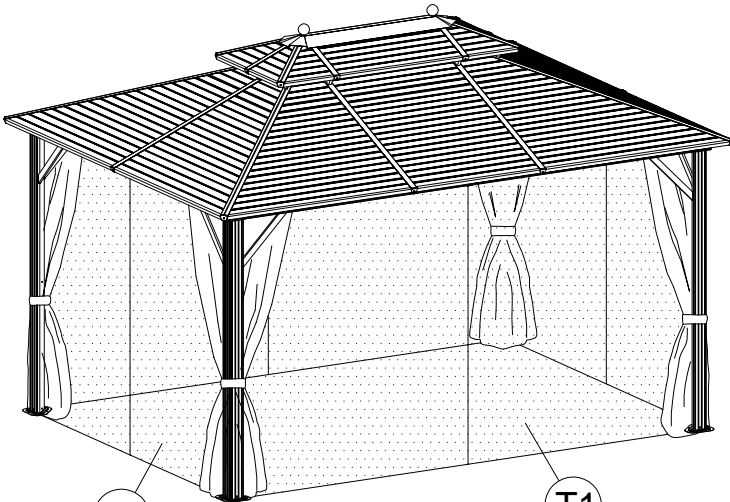
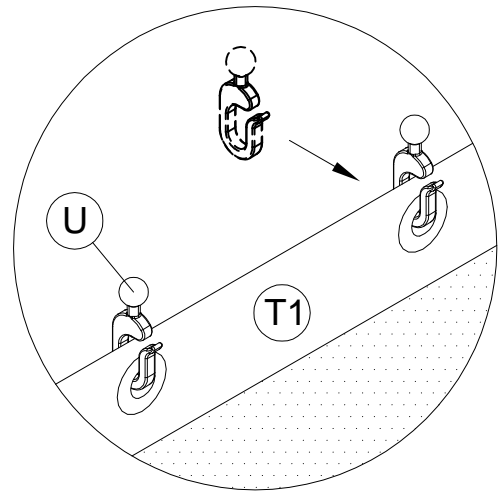


T1 4x + 1x

<19>



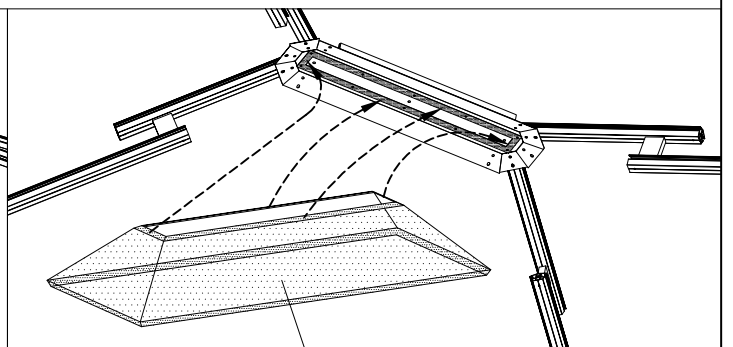
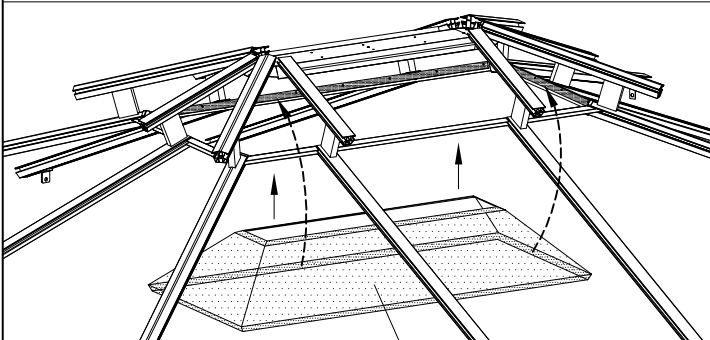
3



1



2



21

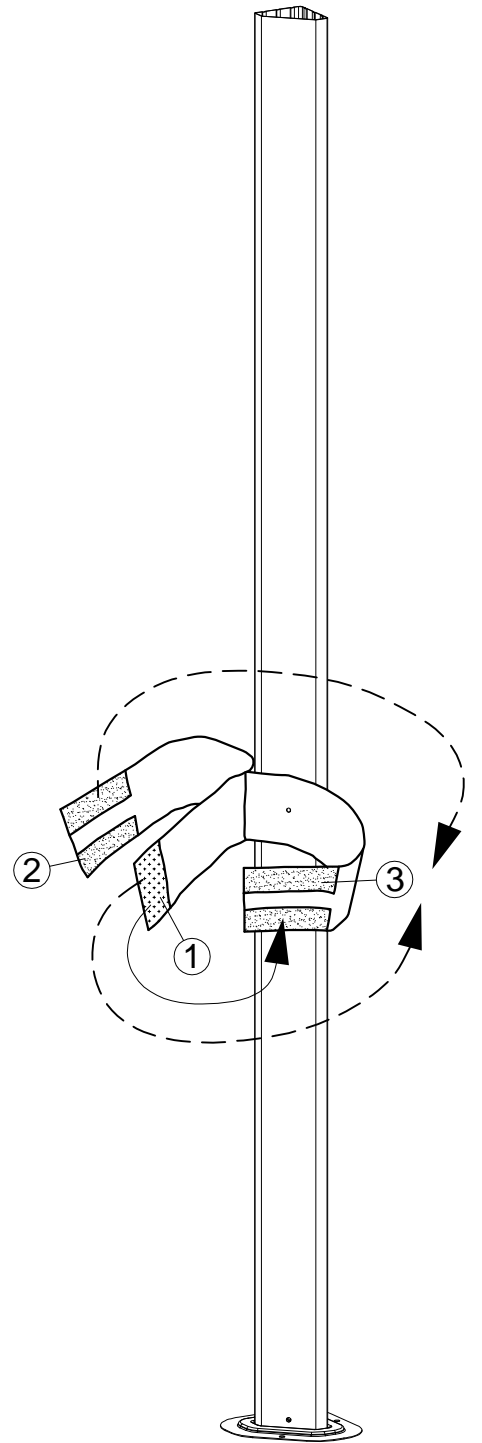
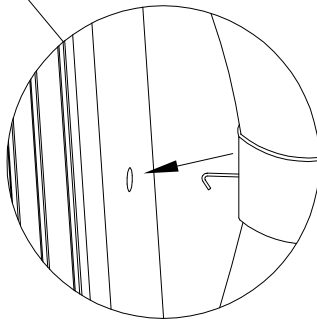
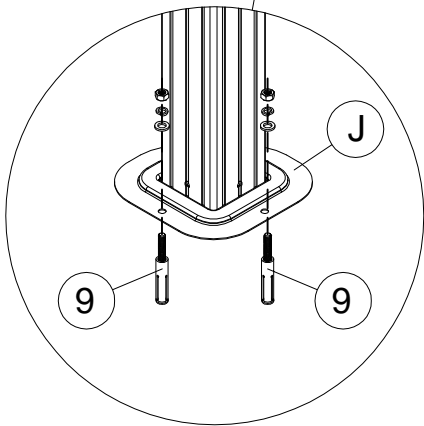
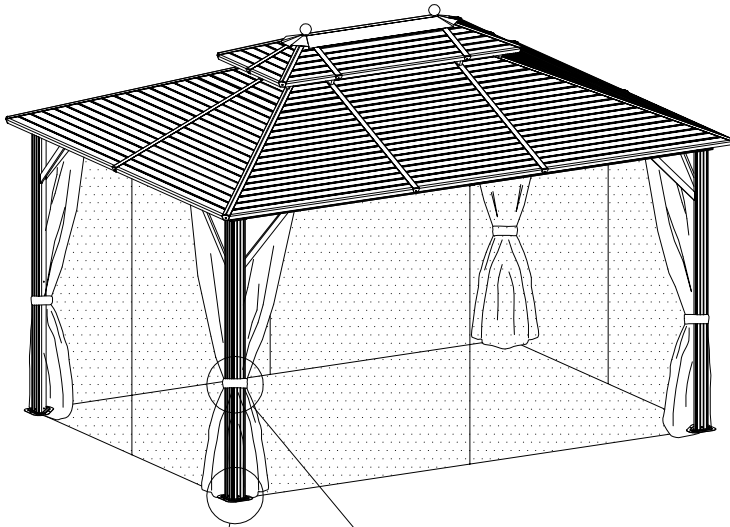
T1

T1



<20>

9 12x



Note:

1. 1 stick 2 tie S and T together
2. 1 stick 3 towards back tie T
3. 1 stick 3 towards front tie S

Carton-1/4		Carton-3/4		Carton-4/4	
Part	Qty	Part	Qty	Part	Qty
A	4	B	2	Q	2
C	2	B1	2	Q1	4
C1	2	E1	4	Q2	4
T	4	G1	4	R	2
1.3.4.5.7	1	G2	4	R1	4
		G3	2	R2	4
		G4	2	S	2
		H1	4	S1	4
		H2	4	S2	4
		J	4		
		K	4		
Carton-2/4		L	1		
Part	Qty	M	1		
D1	4	T1	4 + 1		
D2	4				
E	4				
E1	2				
F	2				
F1	4				
F2	4				
G	4				
H	4				
K1	4				
P	4				
N.N1.U.V.Y.Y1.9.10	1				
Za	2				