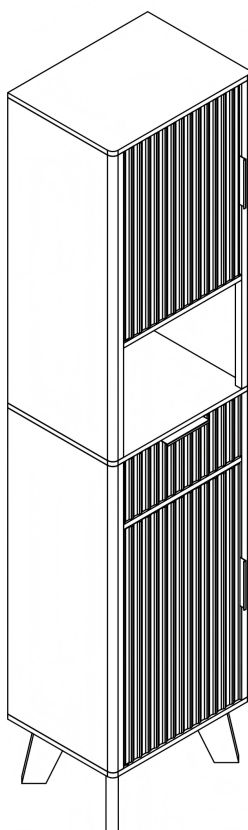
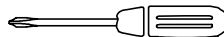
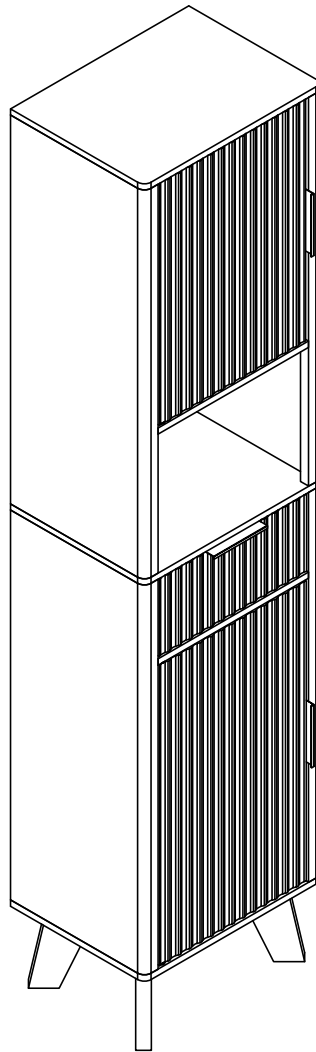
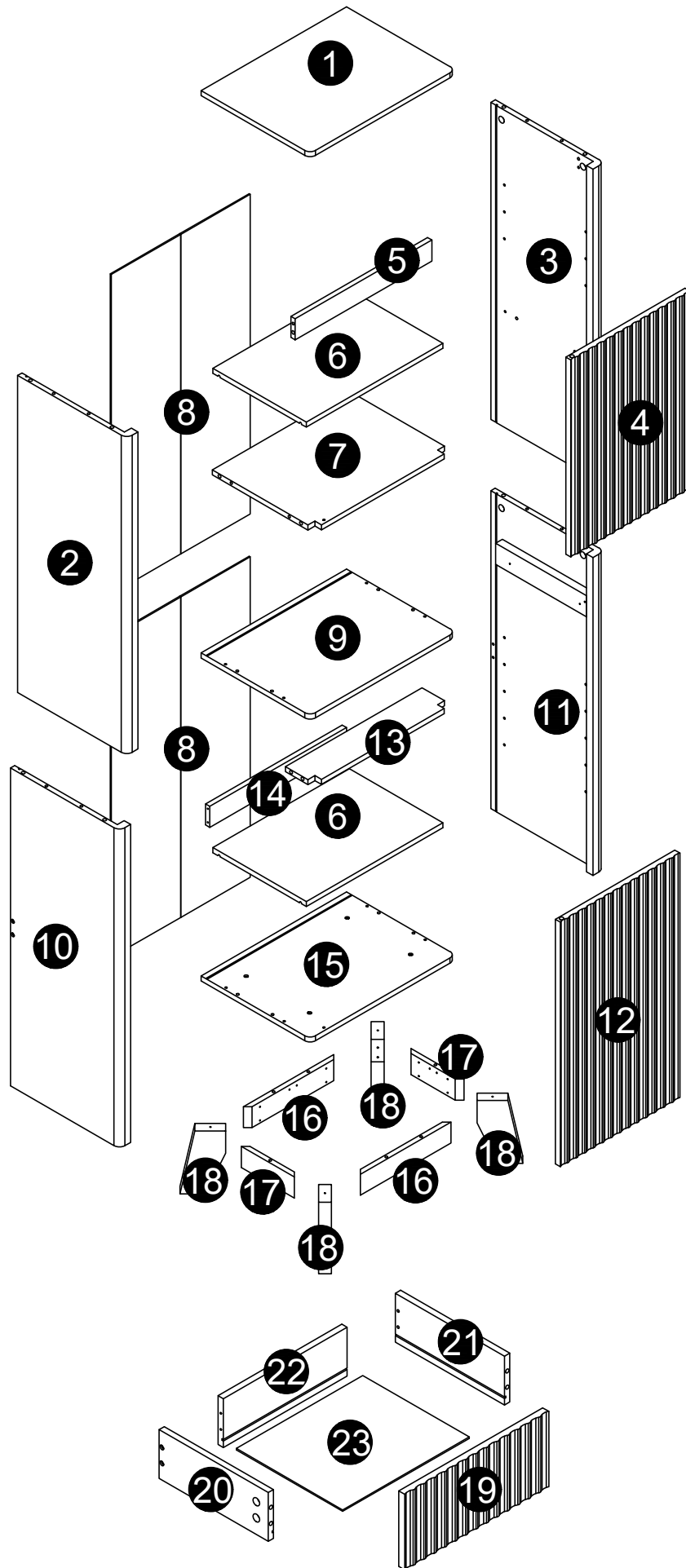


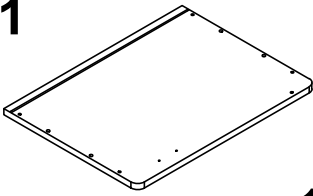
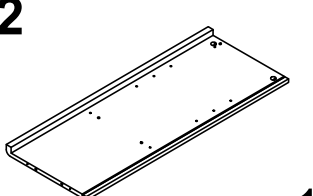
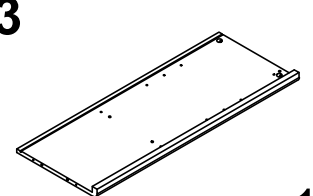
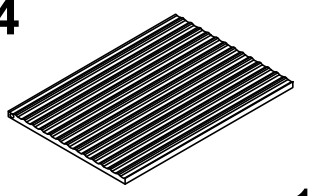
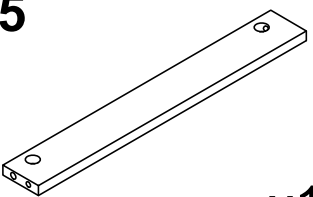
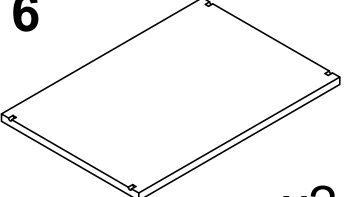
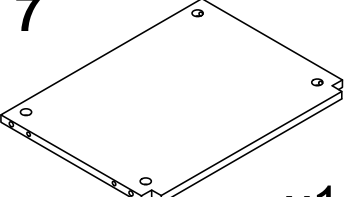
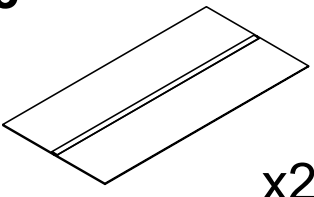
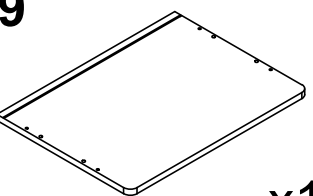
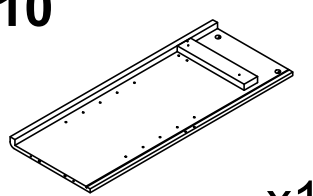
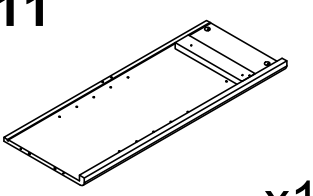
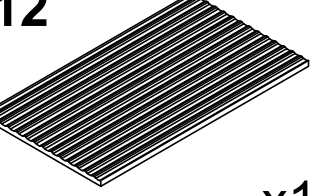
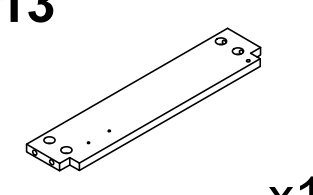
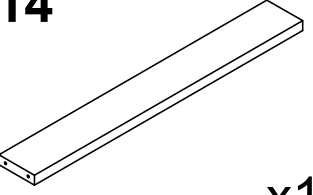
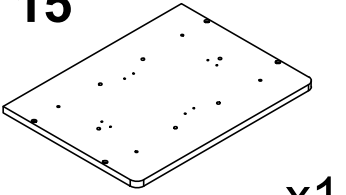
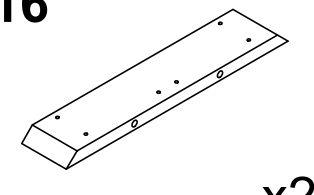
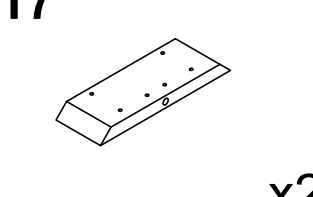
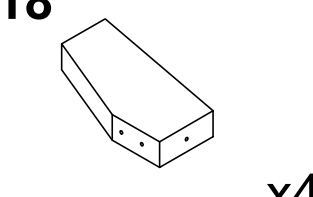
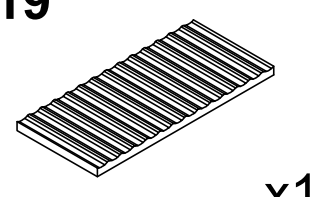
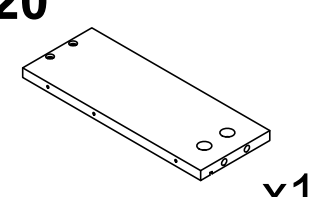
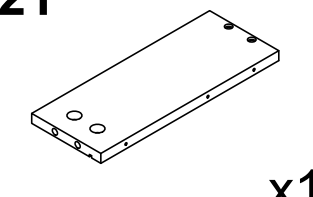
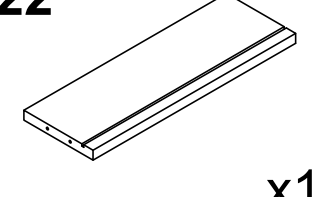
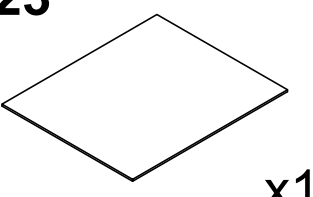
Fluted Door Slim Cabinet

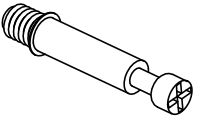


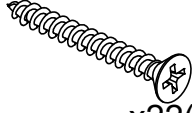
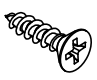
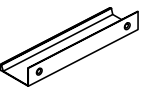

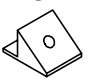

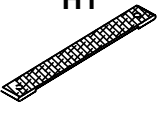
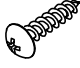


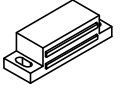


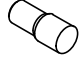

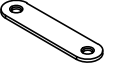
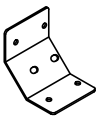
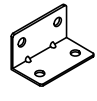


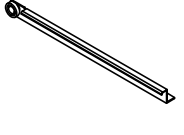
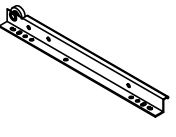
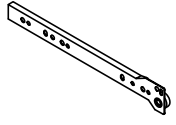
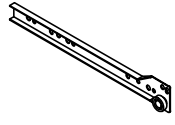


ASSEMBLY INSTRUCTIONS

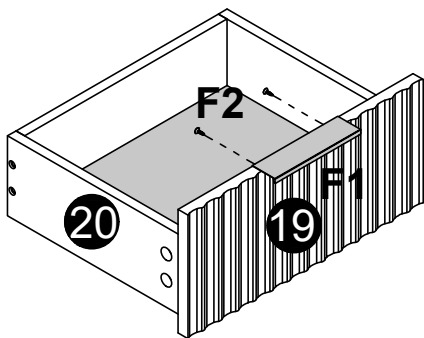
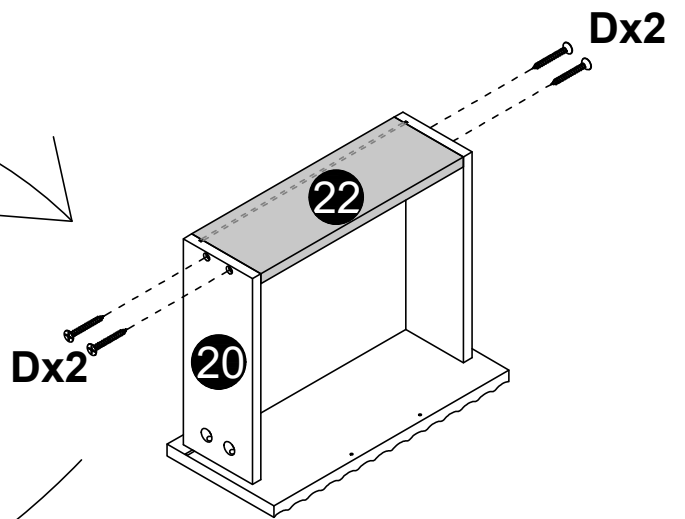
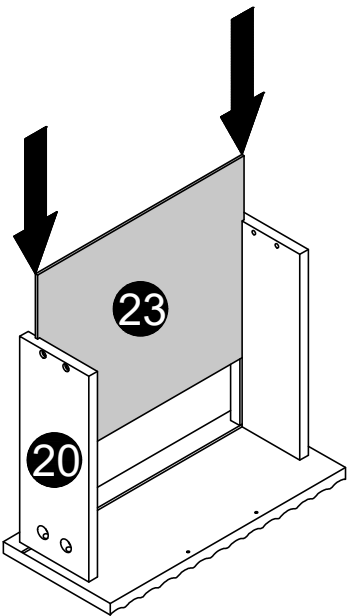
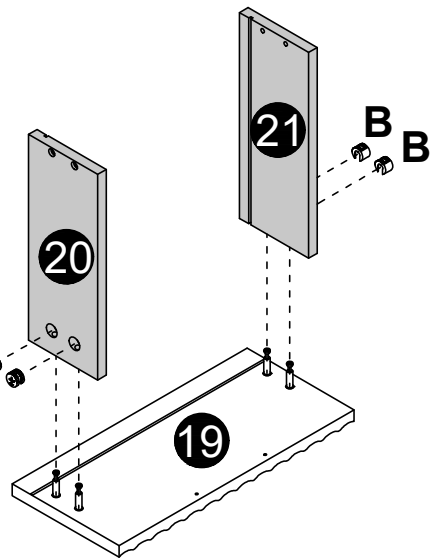
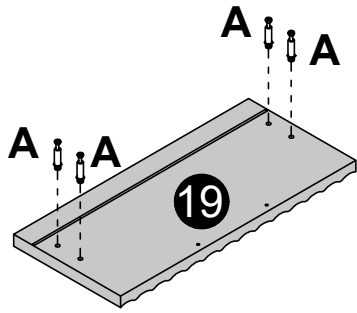


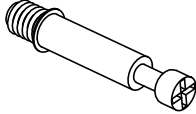

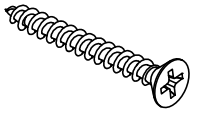
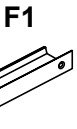



1  x1	2  x1	3  x1	4  x1
5  x1	6  x2	7  x1	8  x2
9  x1	10  x1	11  x1	12  x1
13  x1	14  x1	15  x1	16  x2
17  x2	18  x4	19  x1	20  x1
21  x1	22  x1	23  x1	

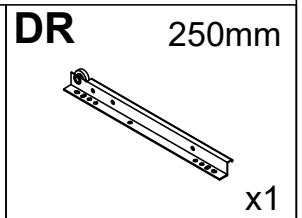
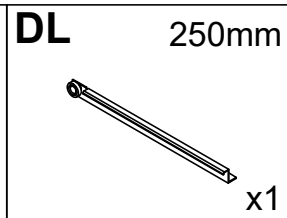
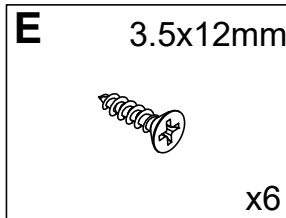
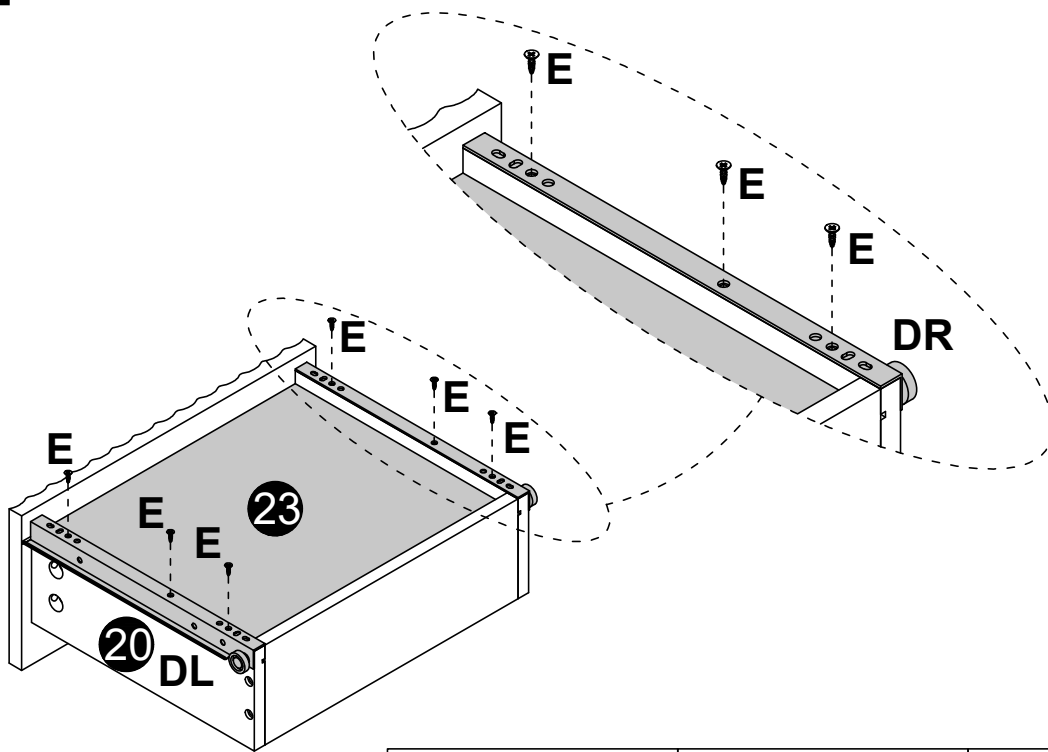
A 6x35mm  x22(+2)	B 15x10mm  x22(+2)	C 6x30mm  x20(+2)	D 4x35mm  x22(+2)	E 3.5x12mm  x28(+2)
F 3.5x10mm F1  F2  x3	G 3x16mm G1  G2  x20(+2)	H 4x14mm H1  H2  x2	I 18mm  x4	J 6x30mm  x2
K 3x16mm K1  K2  x2	L 6x50mm  x4	M  x8	N  x4	O  x2
P  x4	Q  x4	R 3.5x10mm  x4	S 4x12mm  x24(+2)	DL 250mm  x1
DR 250mm  x1	CL 250mm  x1	CR 250mm  x1		

Step 1

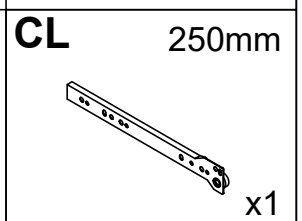
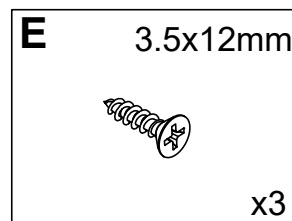
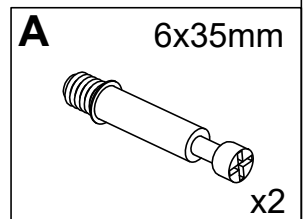
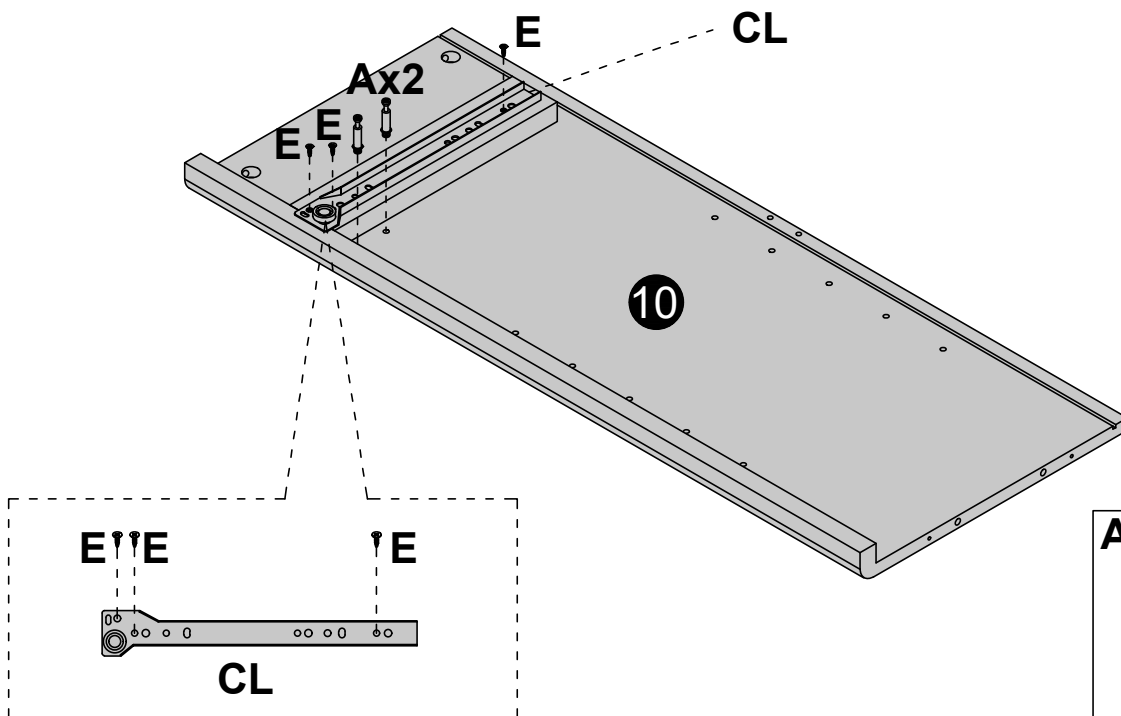


<p>A 6x35mm</p>  <p>x4</p>	<p>B 15x10mm</p>  <p>x4</p>
<p>D 4x35mm</p>  <p>x4</p>	<p>F 3.5x10mm</p> <p>F1</p>  <p>F2</p>  <p>x1</p>

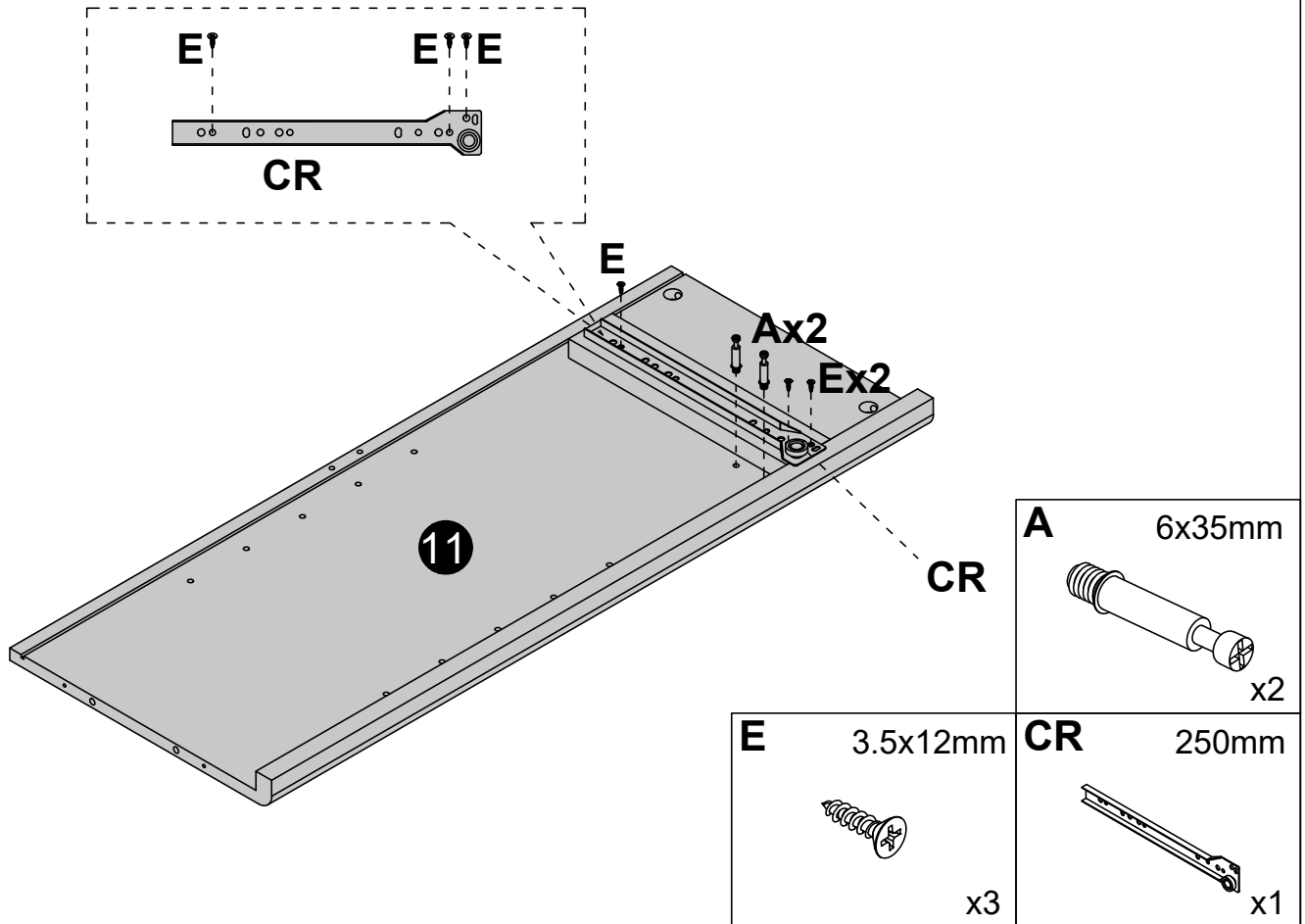
Step 2



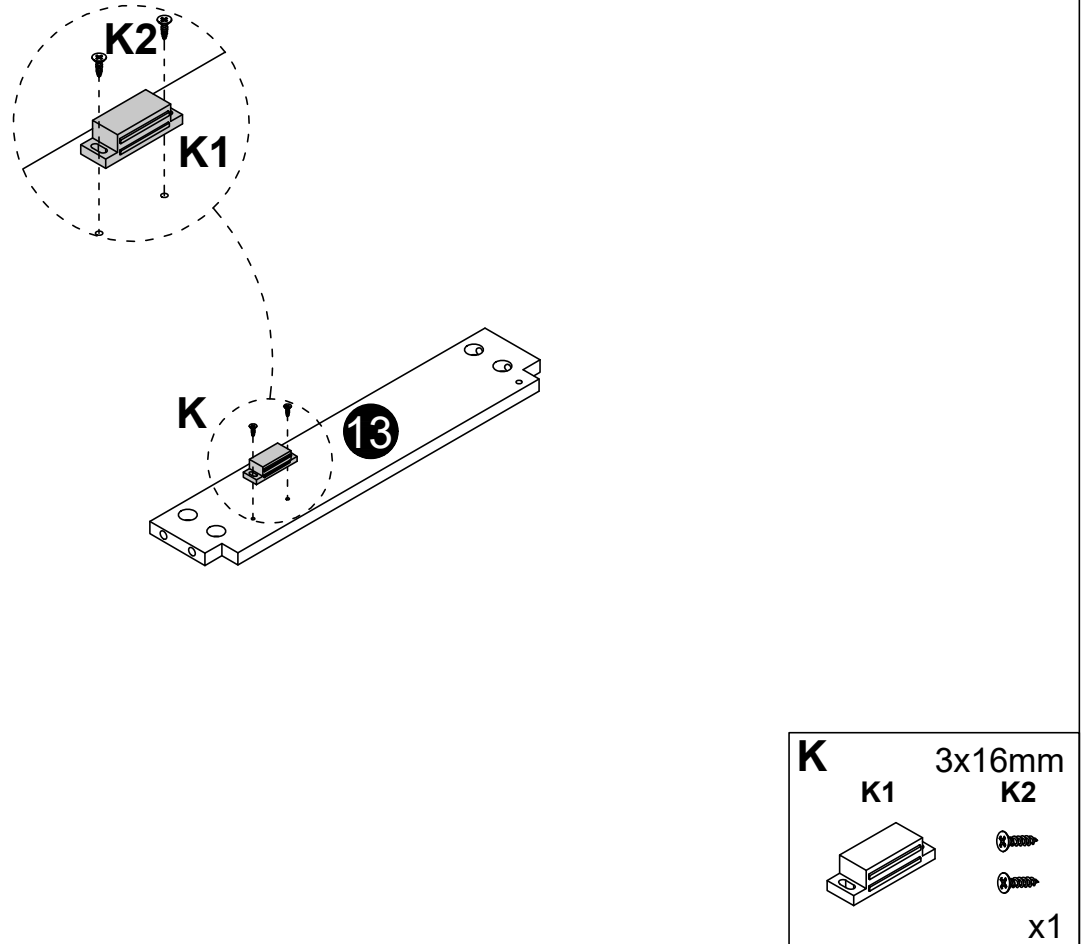
Step 3



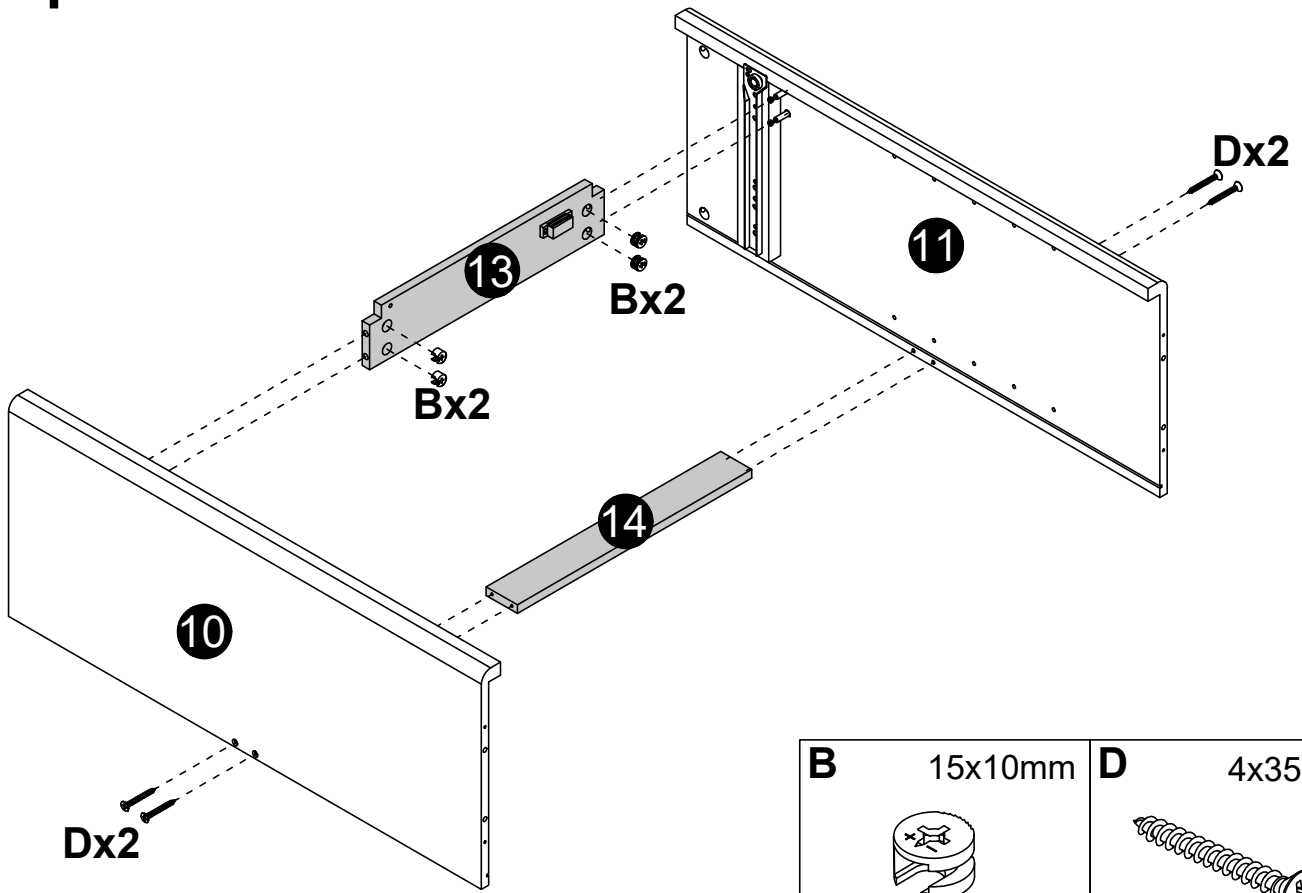
Step 4



Step 5



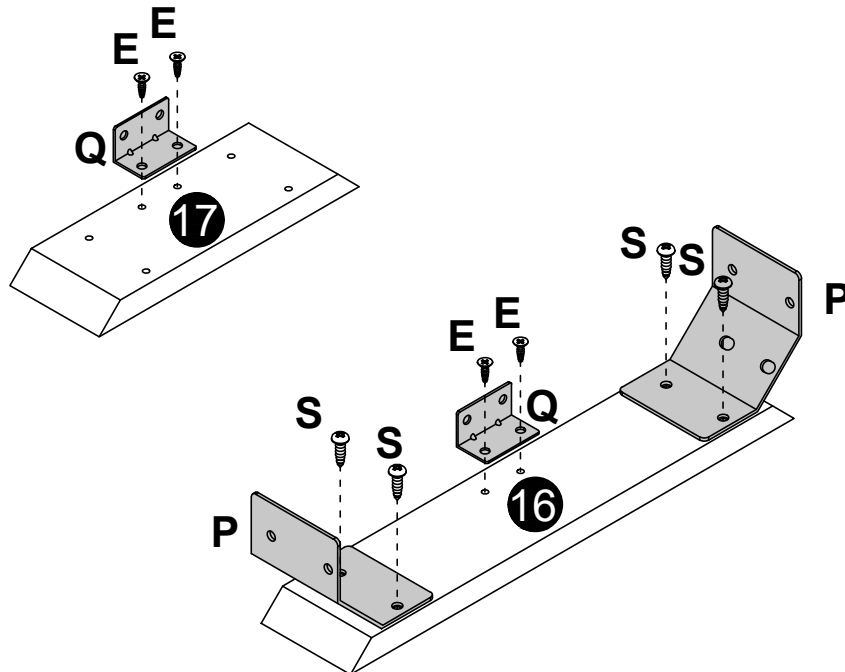
Step 6



B	15x10mm	D	4x35mm
x4		x4	

Step 7

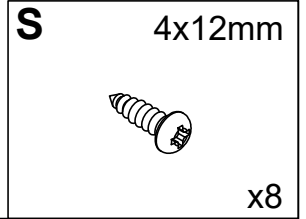
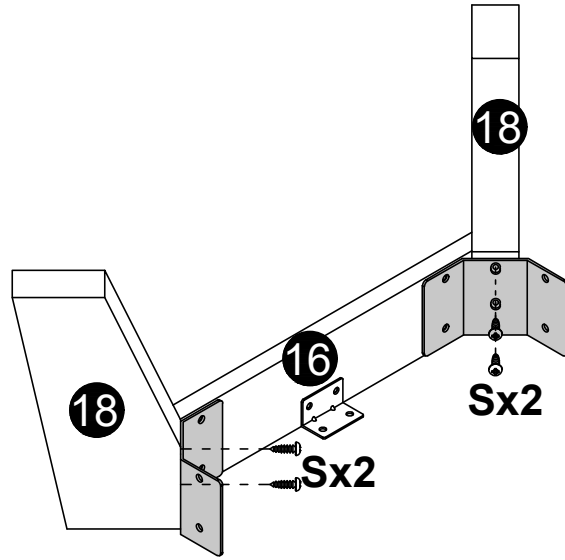
x2



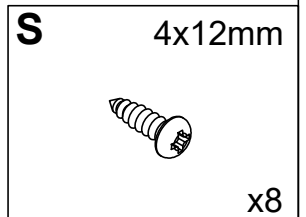
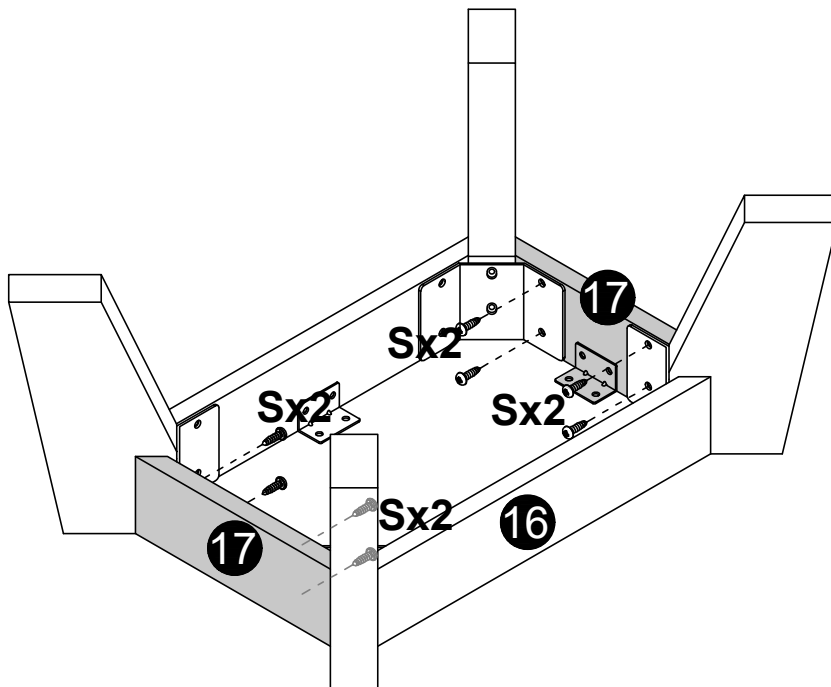
E	3.5x12mm	P		Q		S	4x12mm
x8		x4		x4		x8	

Step 8

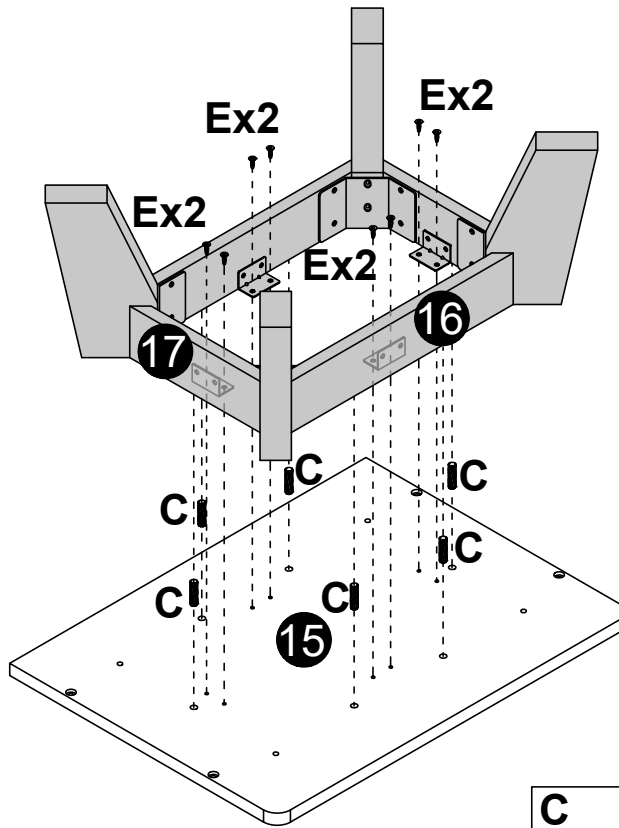
x2





Step 9

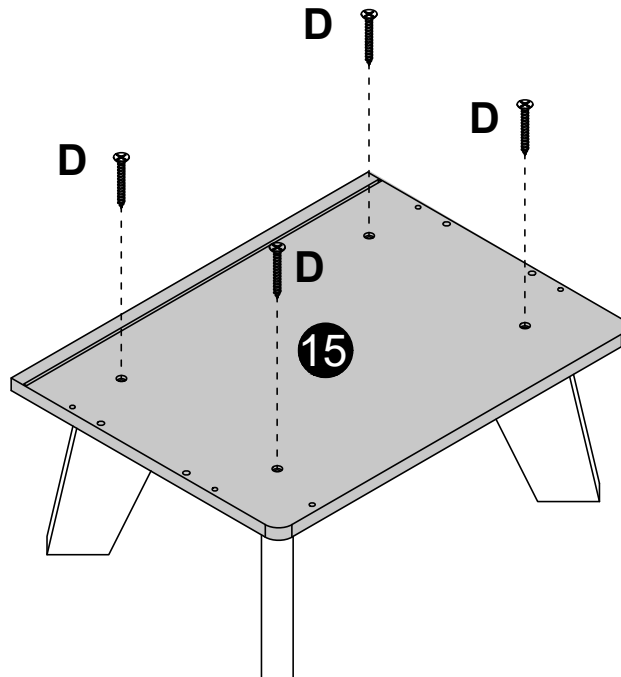


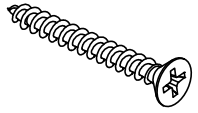
Step 10



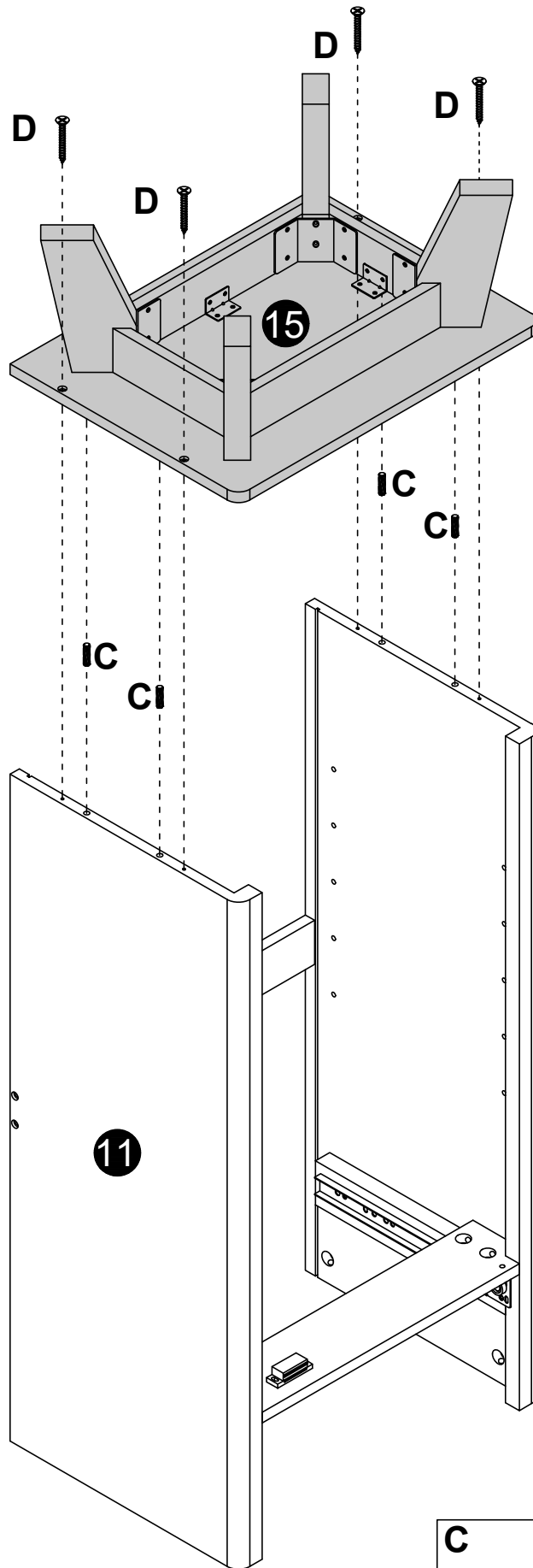
C	6x30mm	E	3.5x12mm
			
	x6		x8


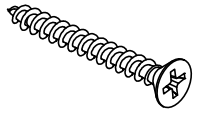
Step 11



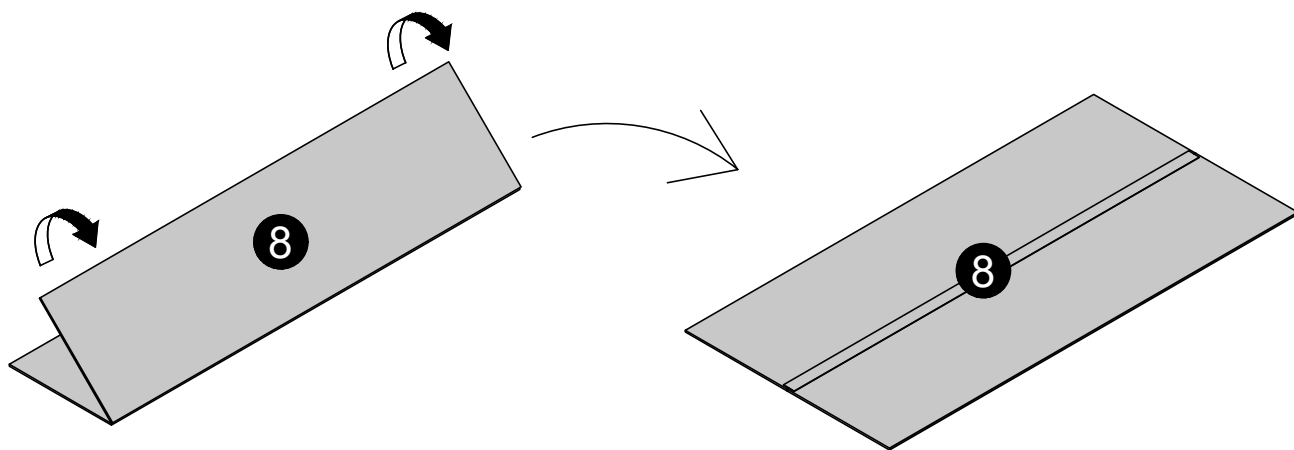
D	4x35mm
	
	x4

Step 12

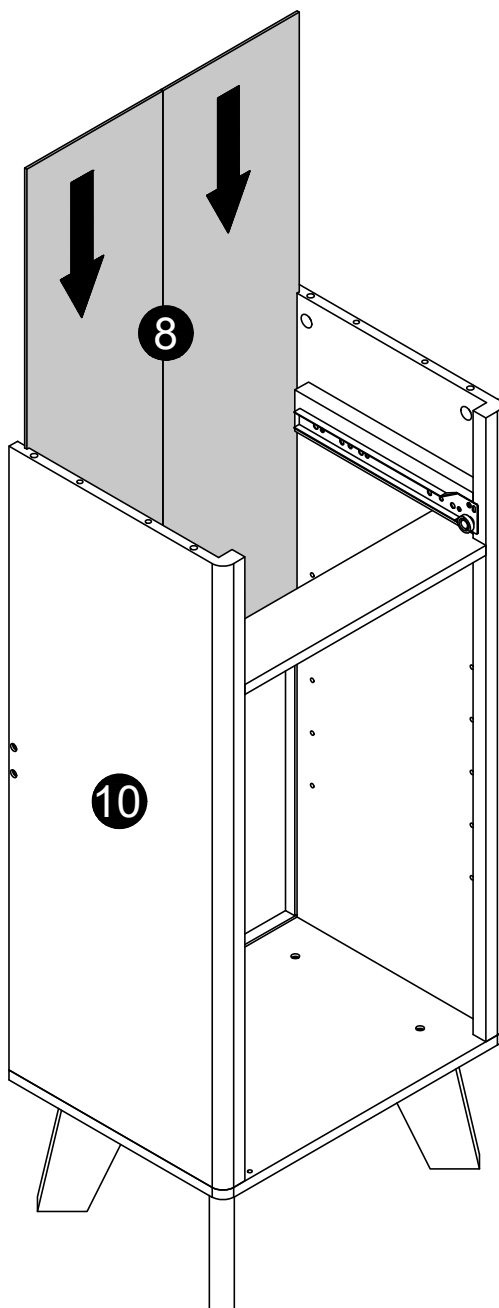


C	6x30mm	D	4x35mm
			
	x4		x4

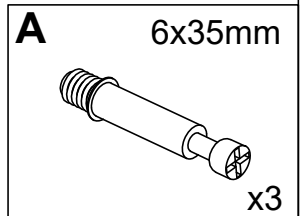
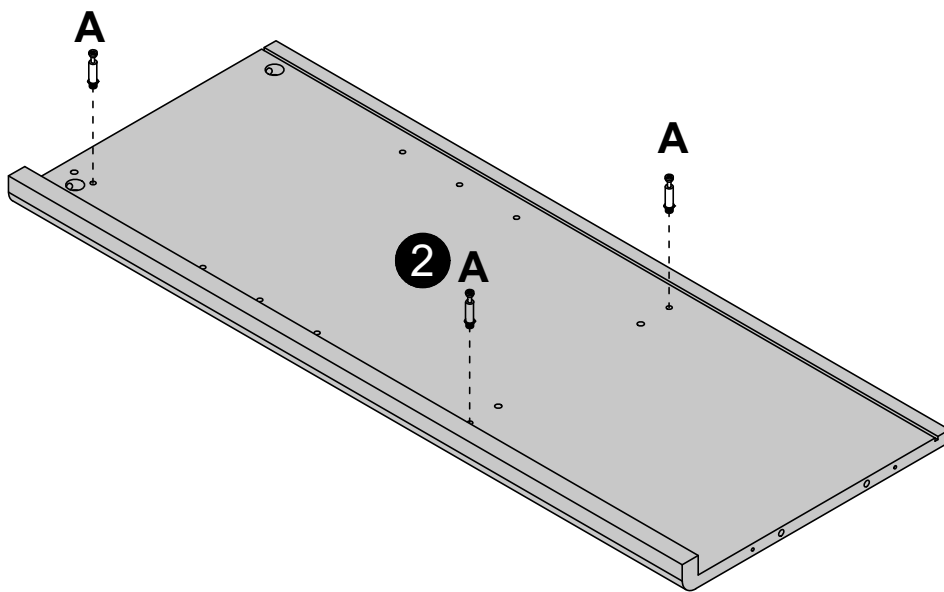
Step 13



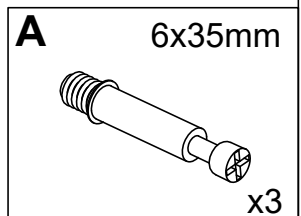
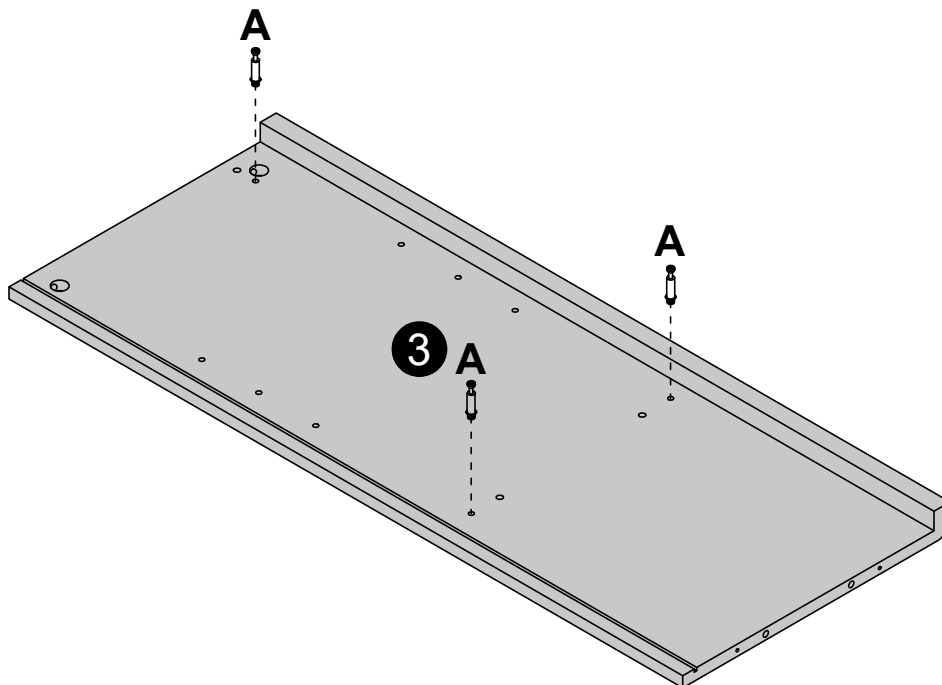
Step 14



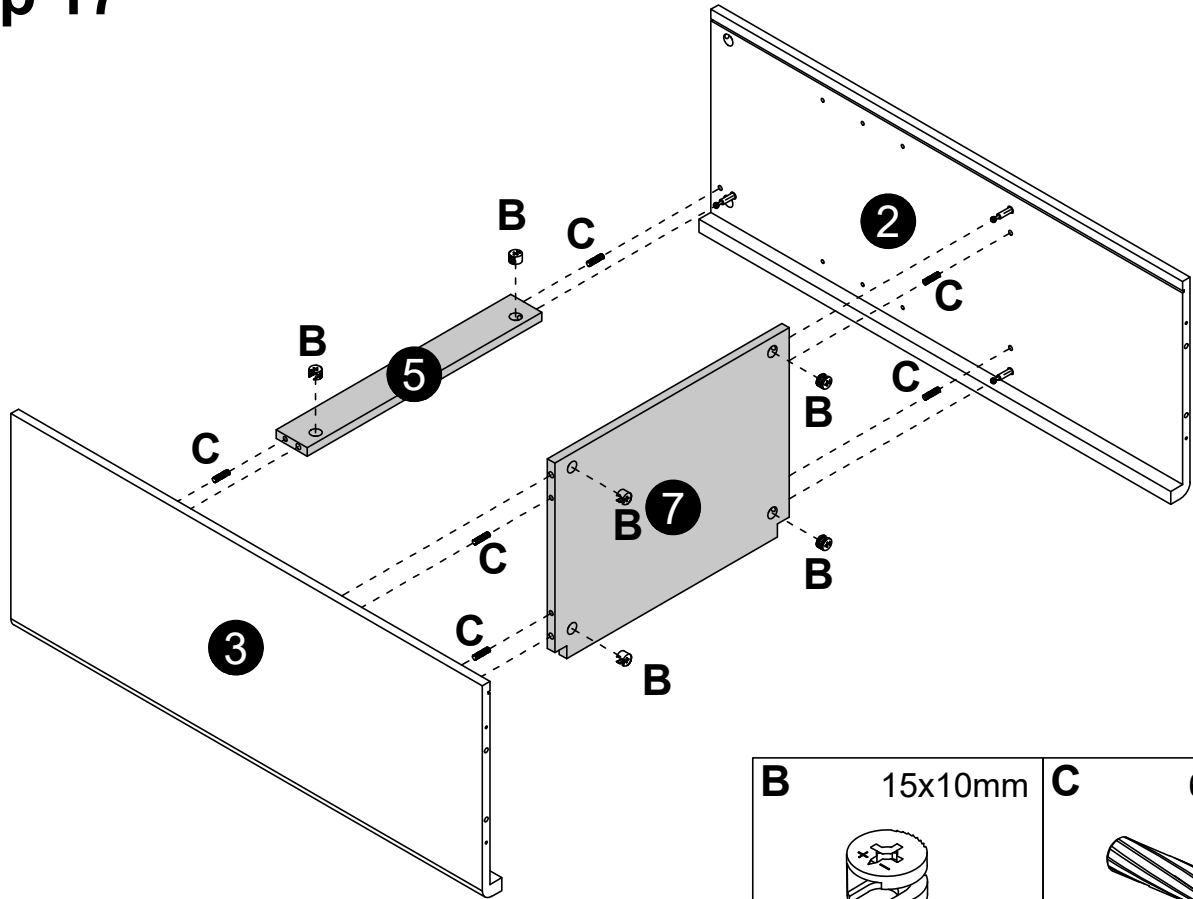
Step 15





Step 16

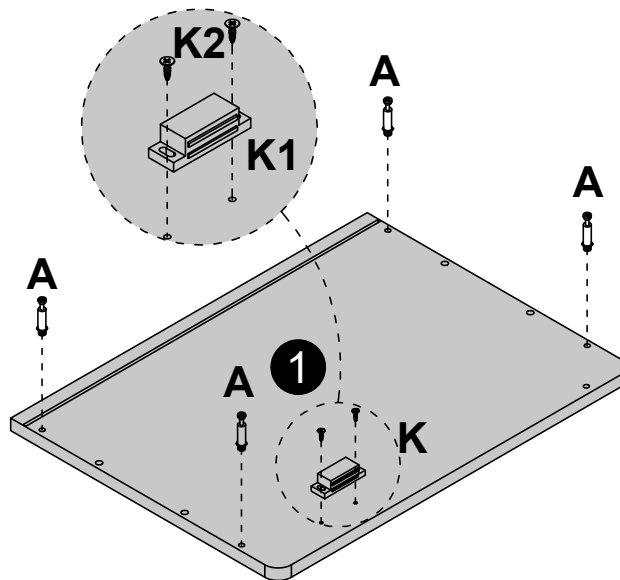


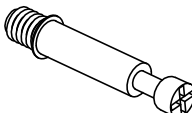



Step 17



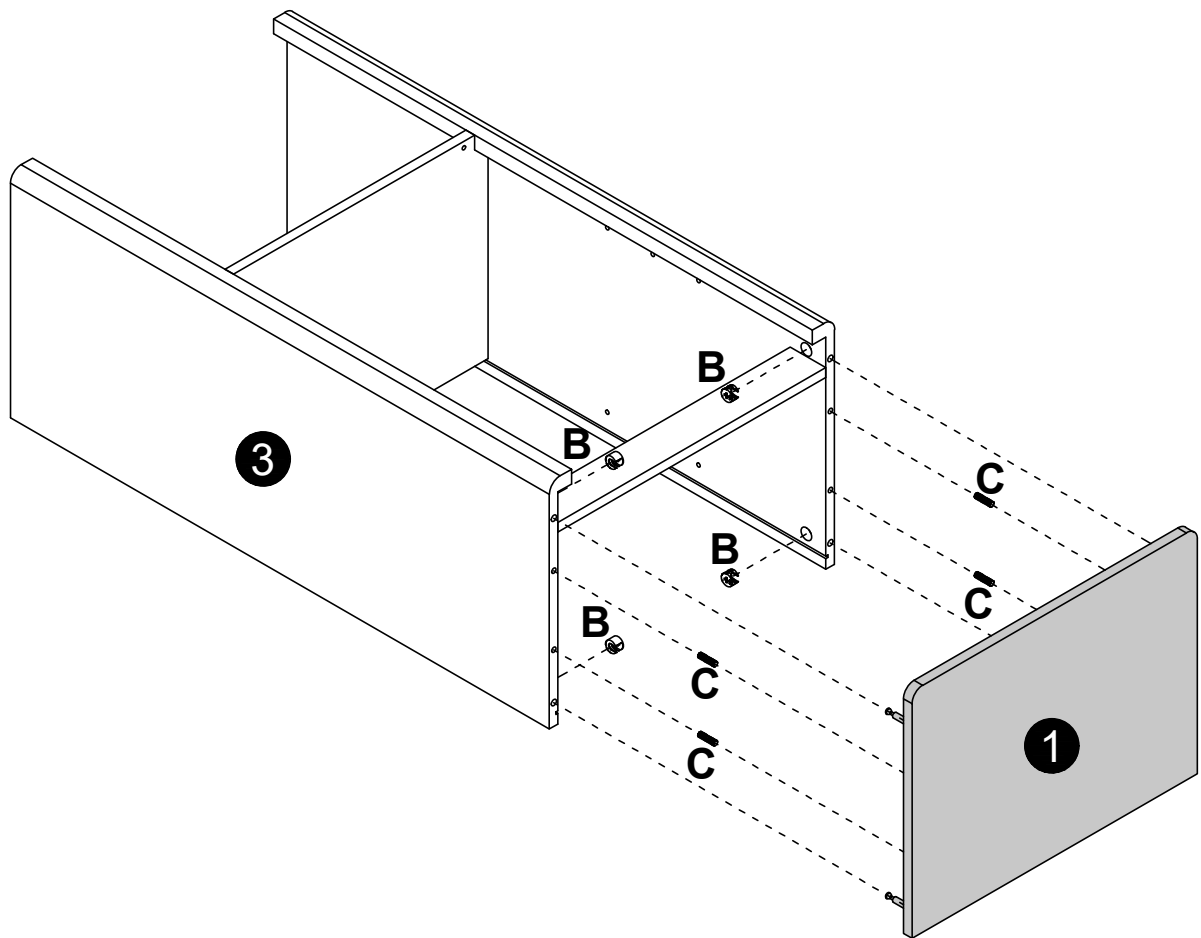
B	15x10mm	C	6x30mm
			
x6		x6	



Step 18



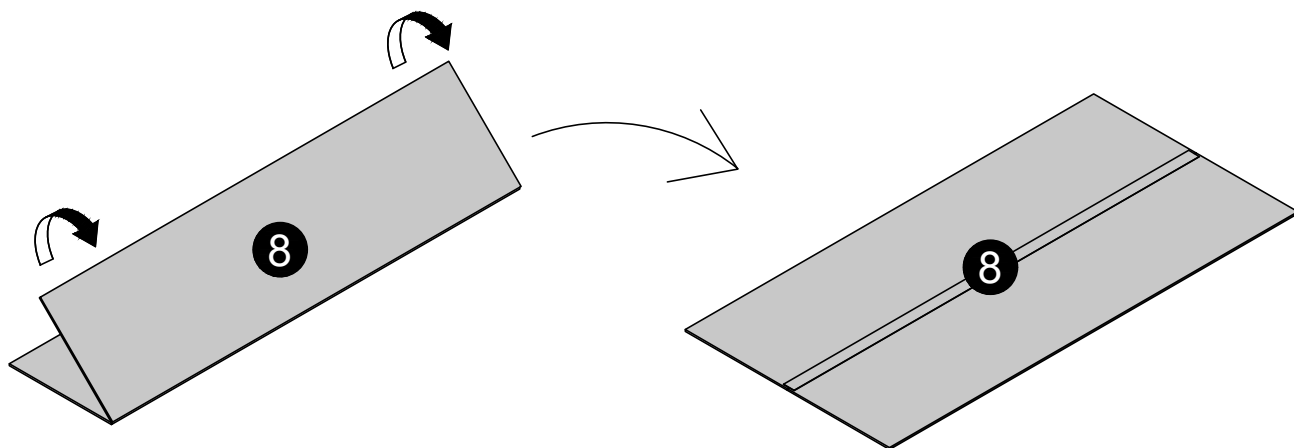
A	6x35mm	K	3x16mm
			 
x4			x1

Step 19

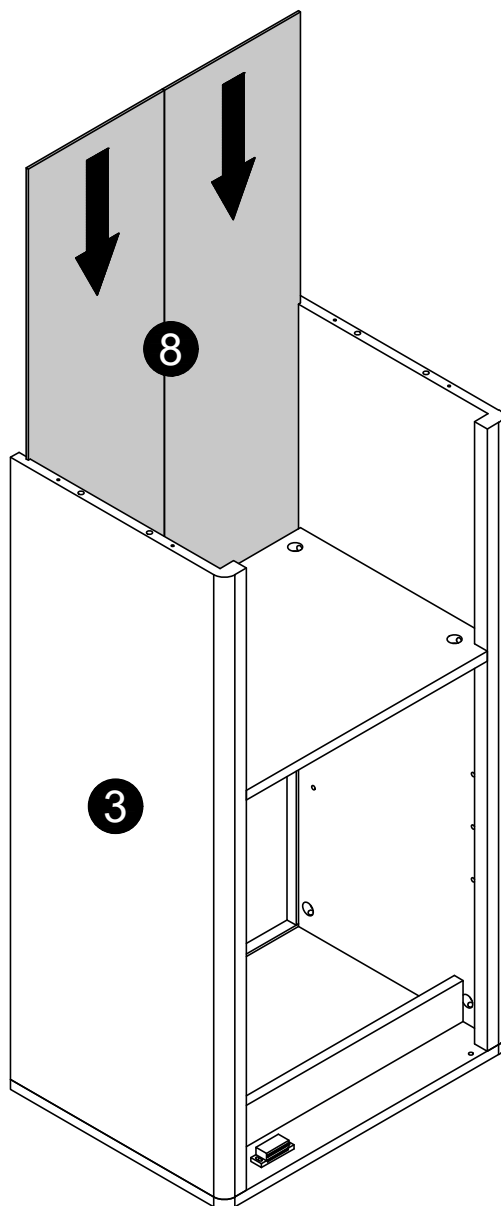


B	15x10mm	C	6x30mm
			
	x4		x4

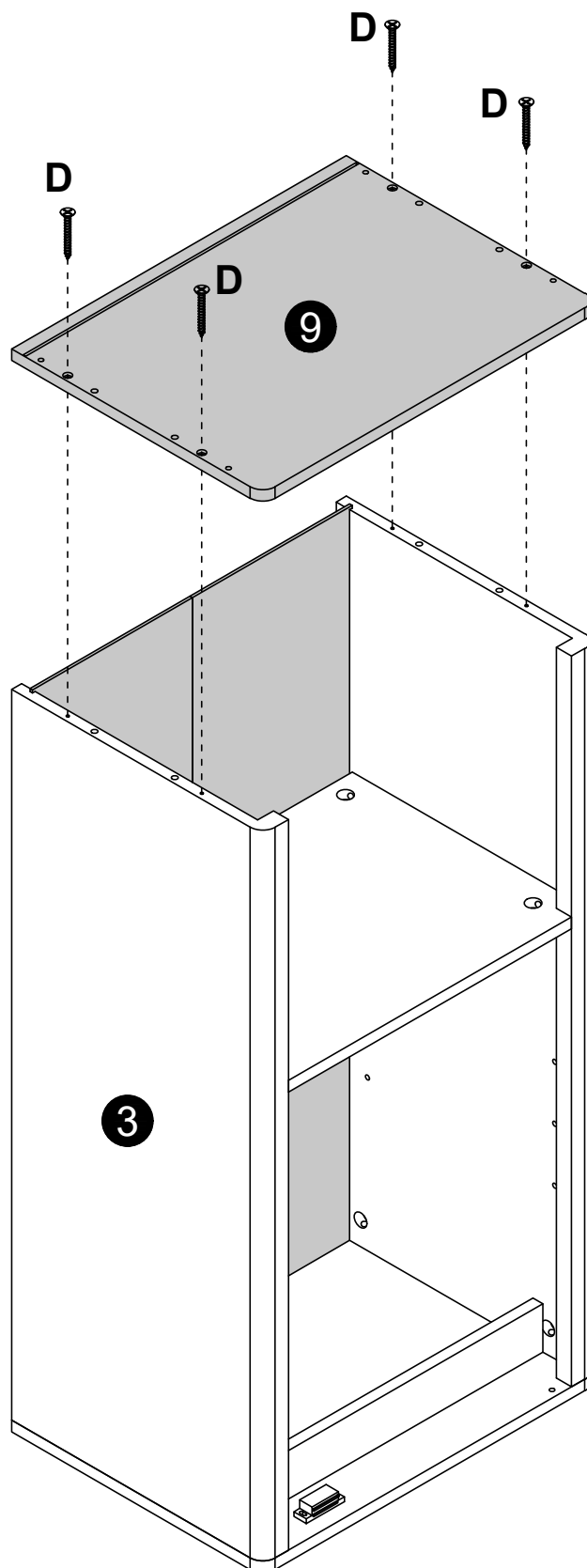
Step 20



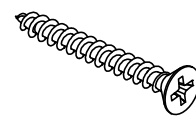
Step 21



Step 22

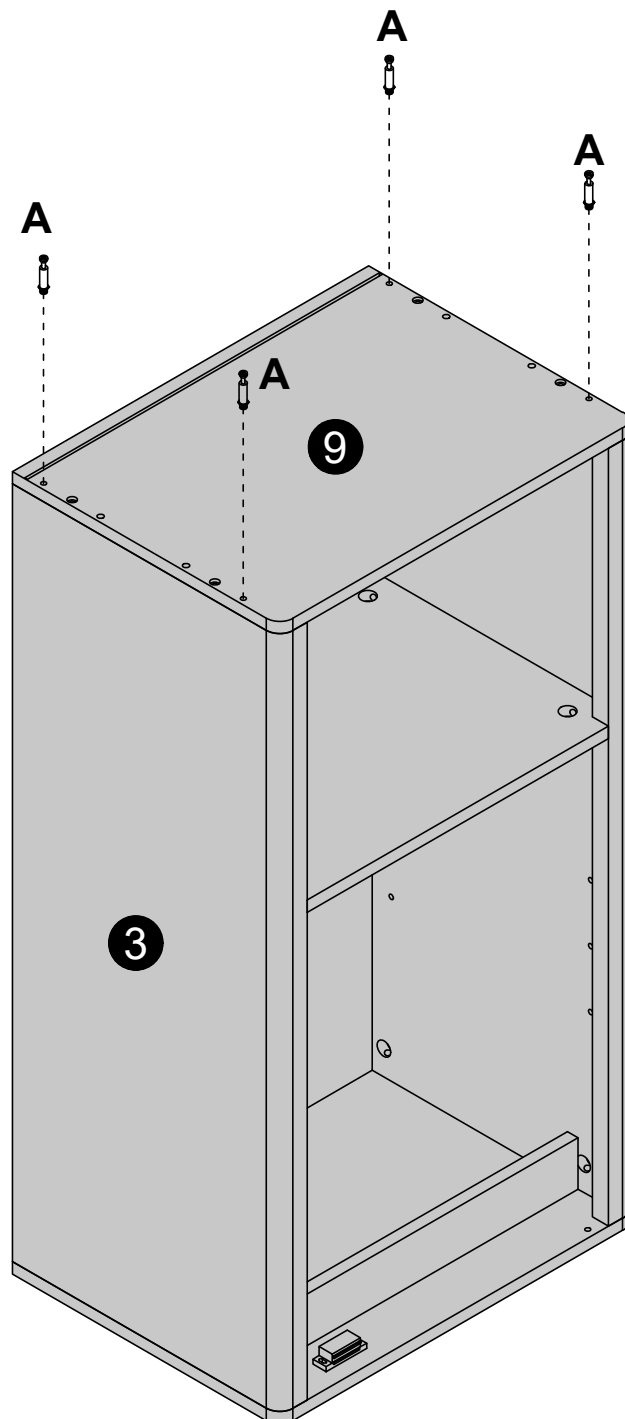


D 4x35mm

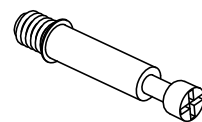


x4

Step 23

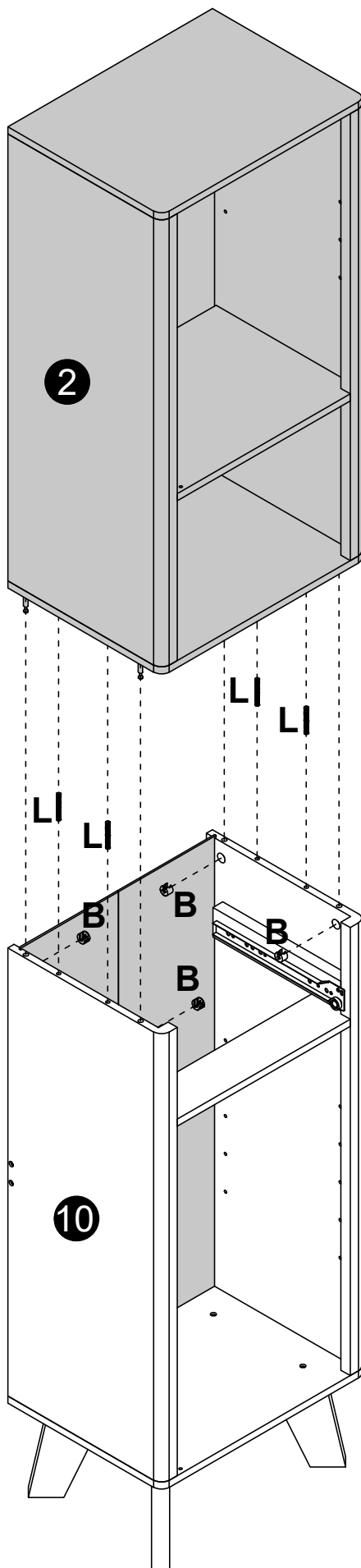




A 6x35mm



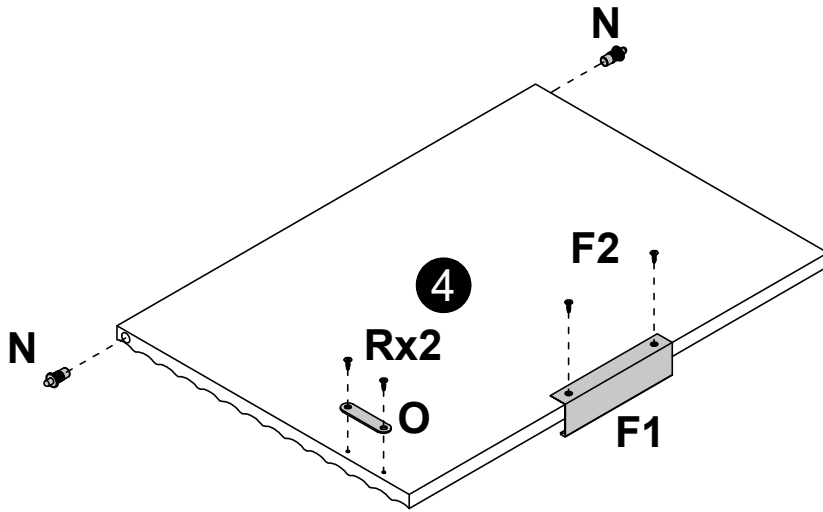
x4

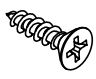
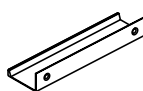


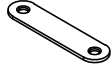
Step 24



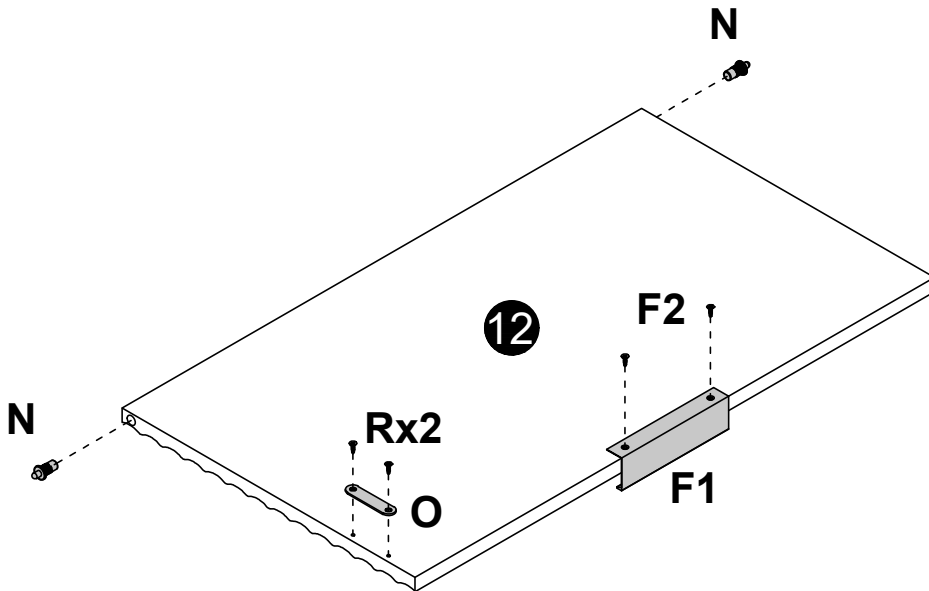
B	15x10mm	L	6x50mm
			
	x4		x4


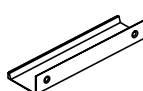



Step 26



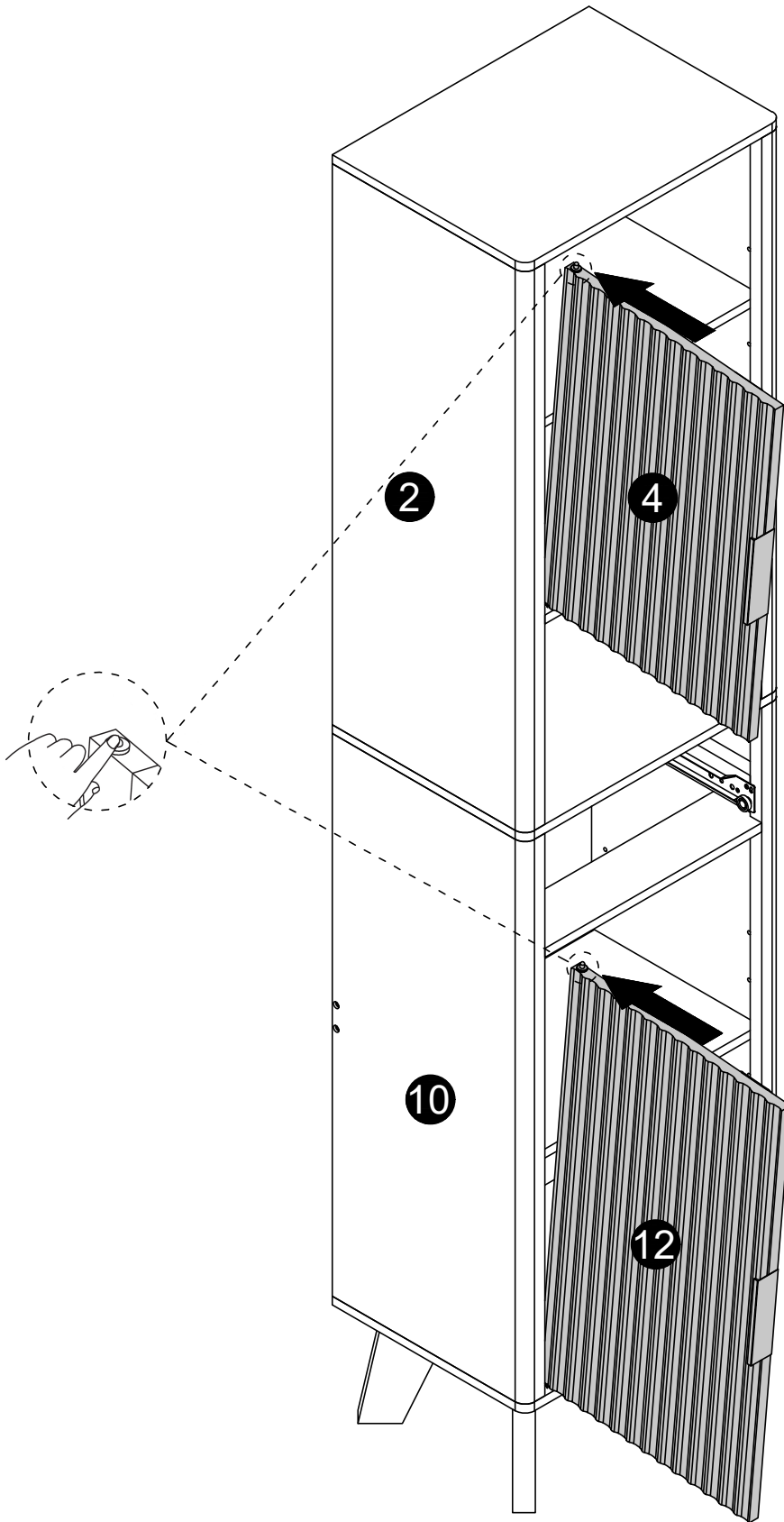
R 3.5x10mm  x2	F 3.5x10mm F1  F2  x1	N  x2	O  x1
---------------------------------------------------------------------------------------------------------------	-------------------------------------------------------------------------------------------------------------------------------------------------------------------------------------------------------------------------------	--------------------------------------------------------------------------------------------------------	--------------------------------------------------------------------------------------------------------

Step 27

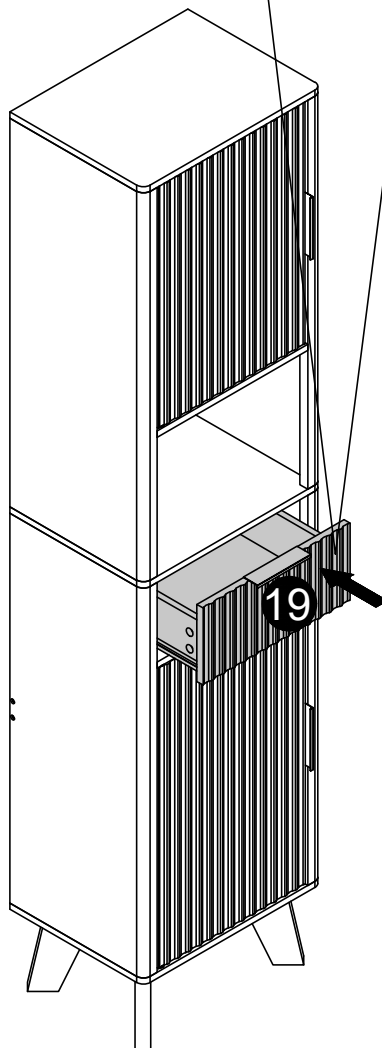
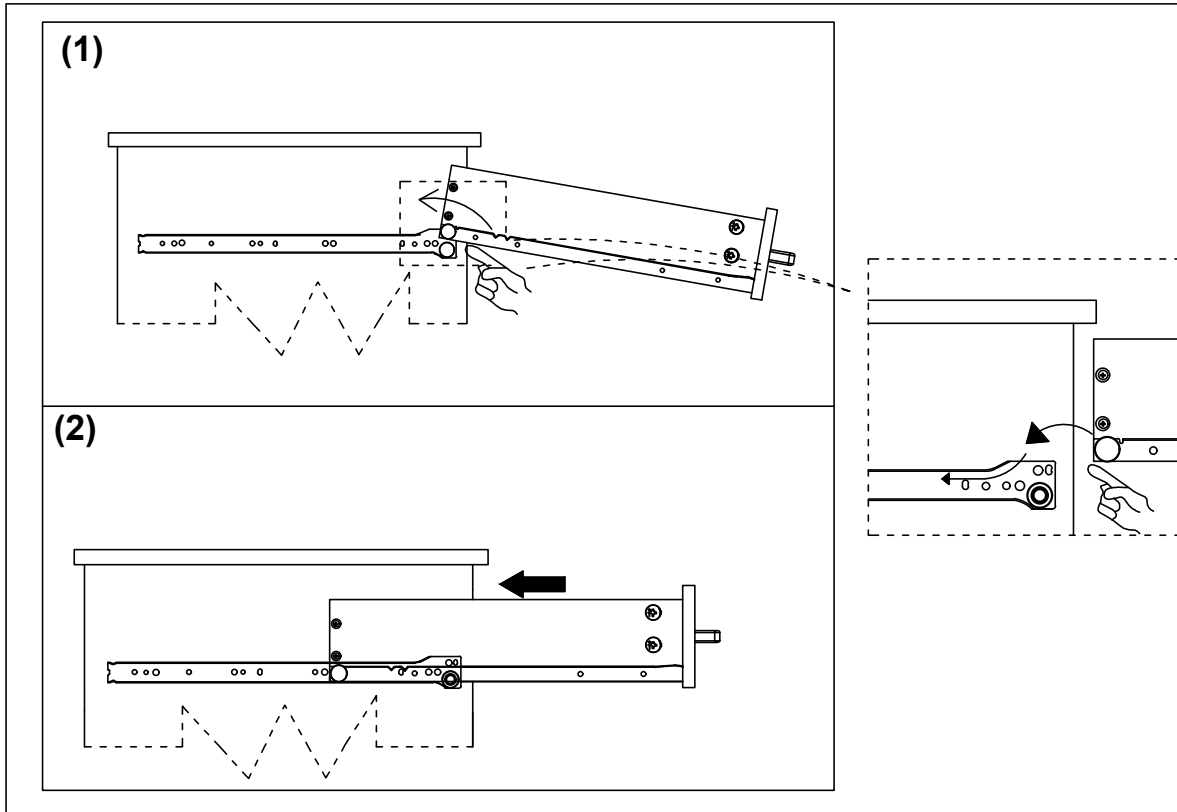


R 3.5x10mm  x2	F 3.5x10mm F1  F2  x1	N  x2	O  x1
----------------------------------------------------------------------------------------------------------------	---------------------------------------------------------------------------------------------------------------------------------------------------------------------------------------------------------------------------------	---------------------------------------------------------------------------------------------------------	---------------------------------------------------------------------------------------------------------

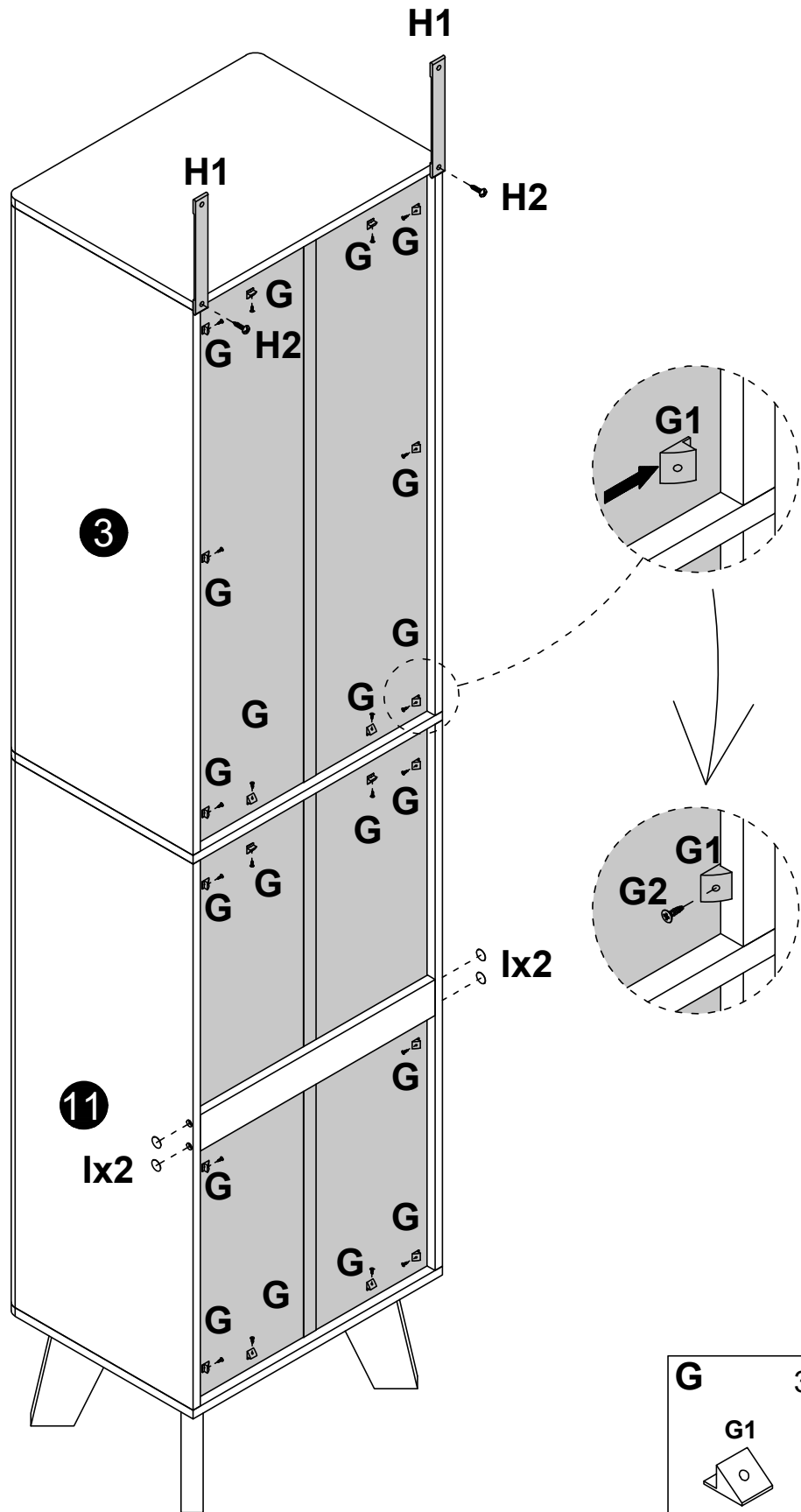
Step 28



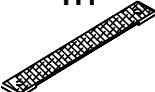
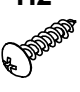
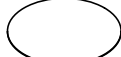


Step 29

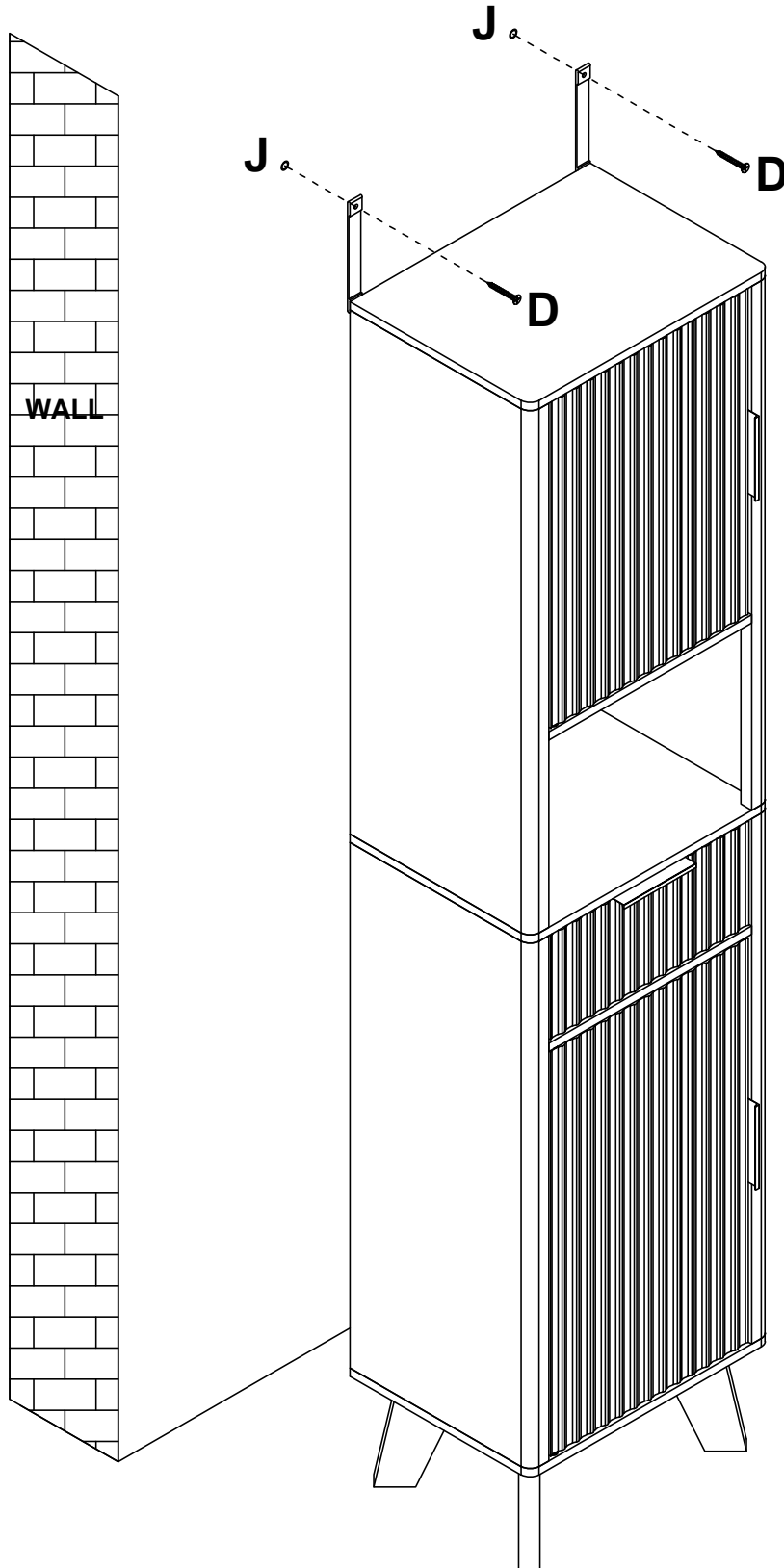
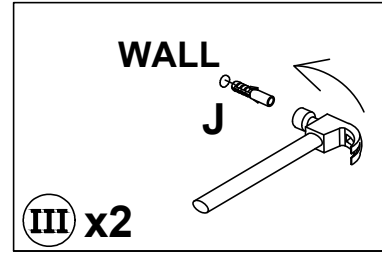
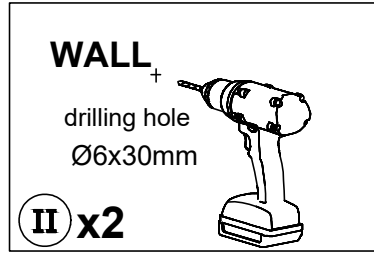
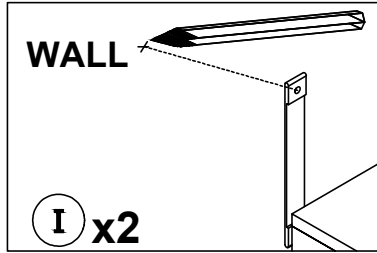


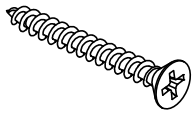

Step 30



G	3x16mm
G1	G2
	
	x20
H	4x14mm
H1	H2
	
	x2
I	18mm
	
	x4

Step 31



D	4x35mm
	x2
J	6x30mm
	x2