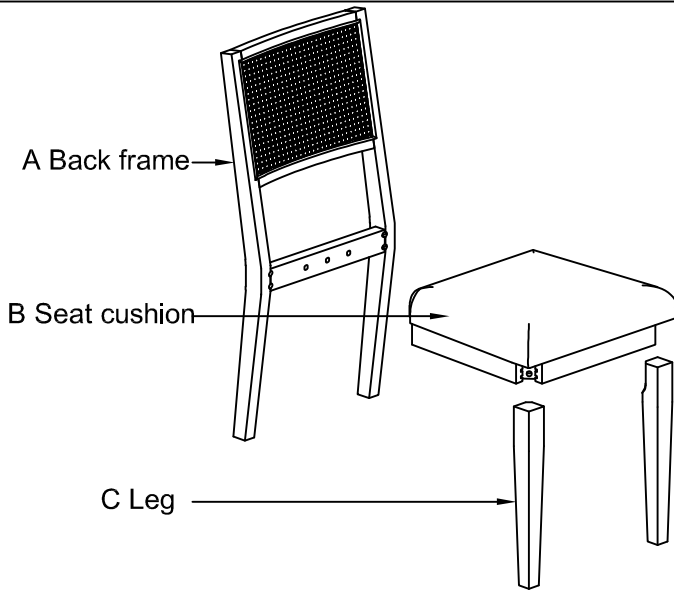
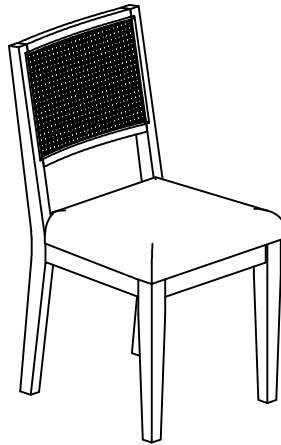


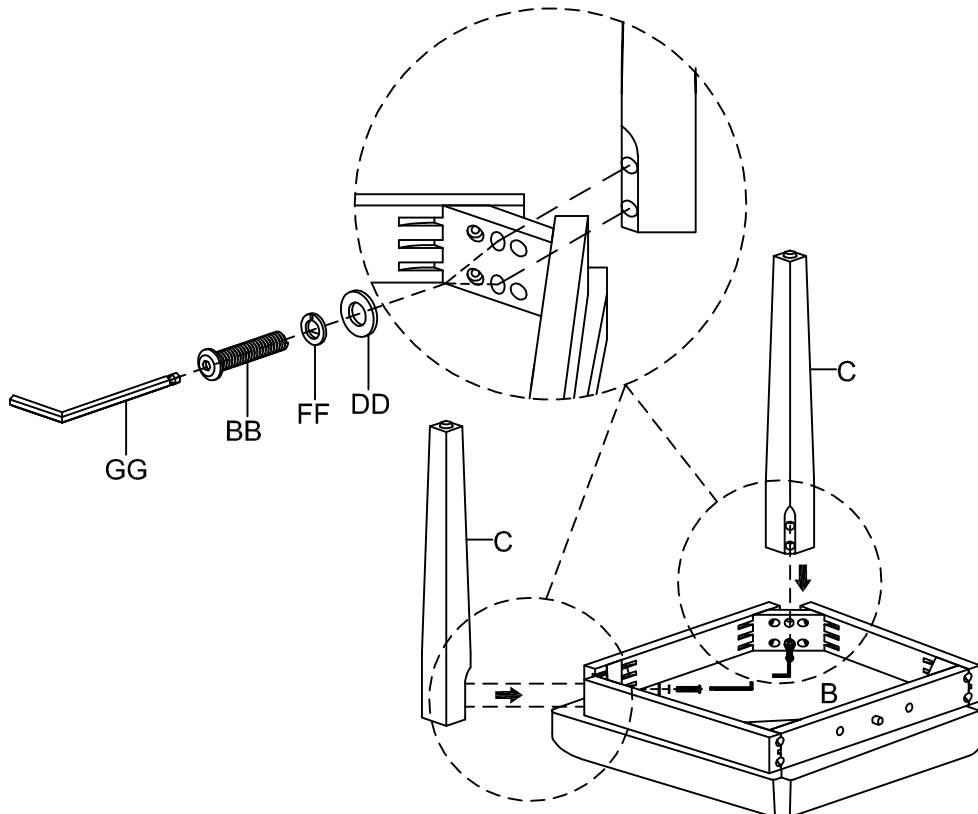
ASSEMBLY INSTRUCTIONS



HARDWARE LIST

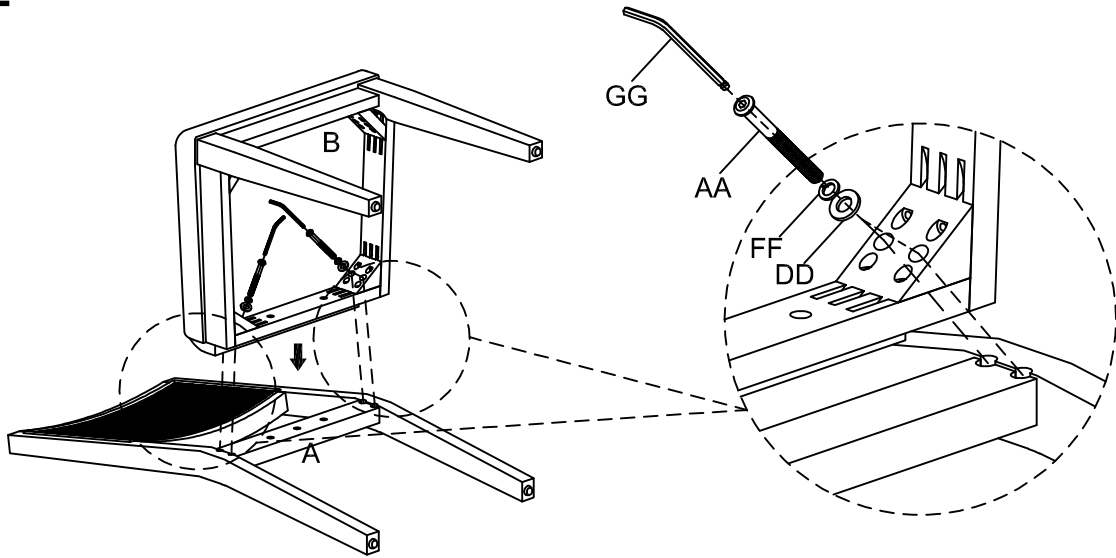
AA		Bolt (Ø5/16" x 80mm)	4 pcs
BB		Bolt (Ø5/16" x 55mm)	4 pcs
CC		Bolt (Ø5/16" x 38mm)	2 pcs
DD		Flat Washer (Ø5/16" x 19 x 2mm)	10 pcs
FF		Lock Washer (Ø5/16" x 1.5mm)	10 pcs
GG		Allen Wrench (4mm)	1 pc

STEP 1



1

STEP 2



STEP 3

