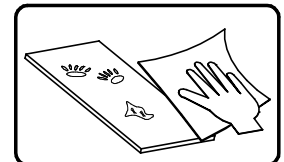
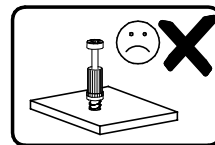
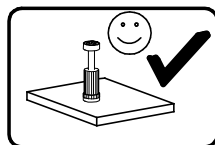
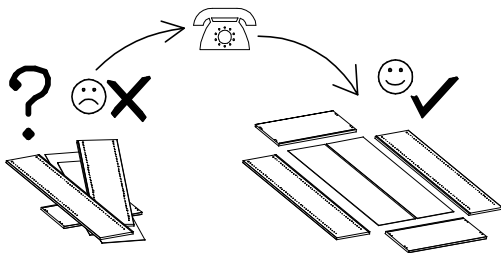
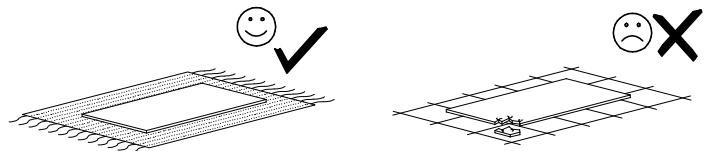
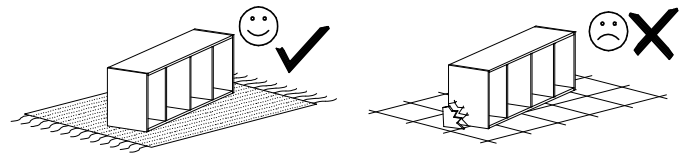
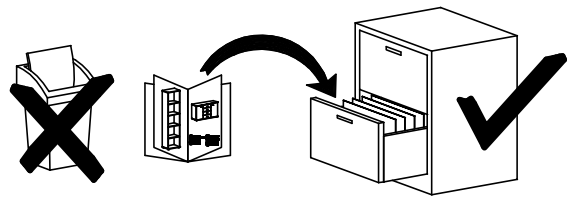
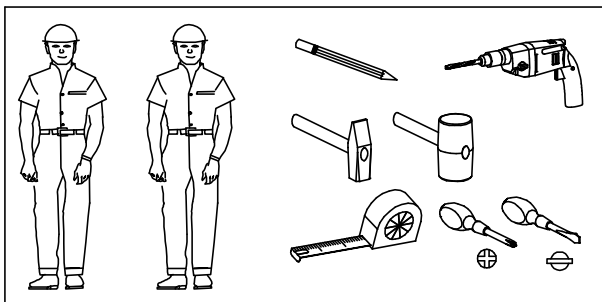
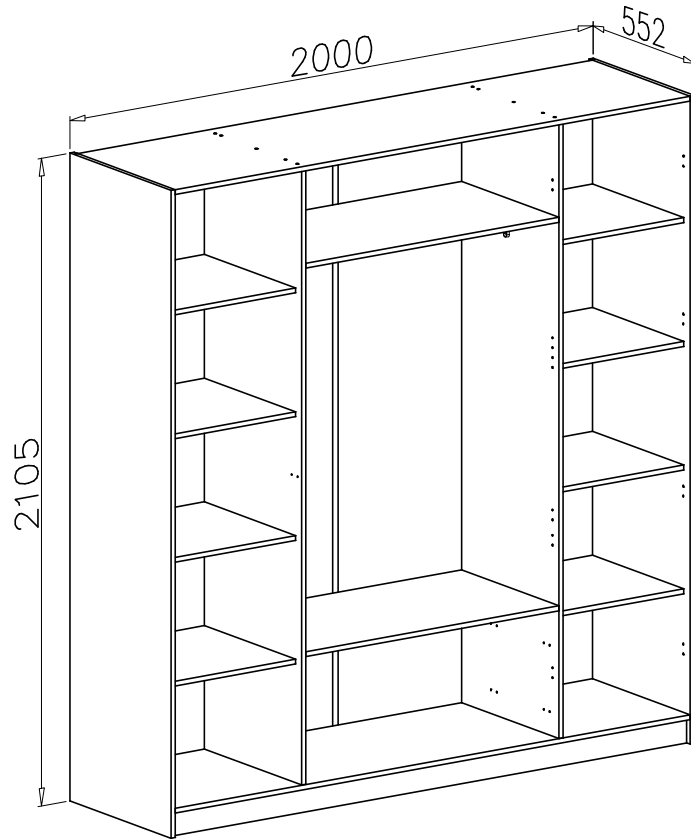
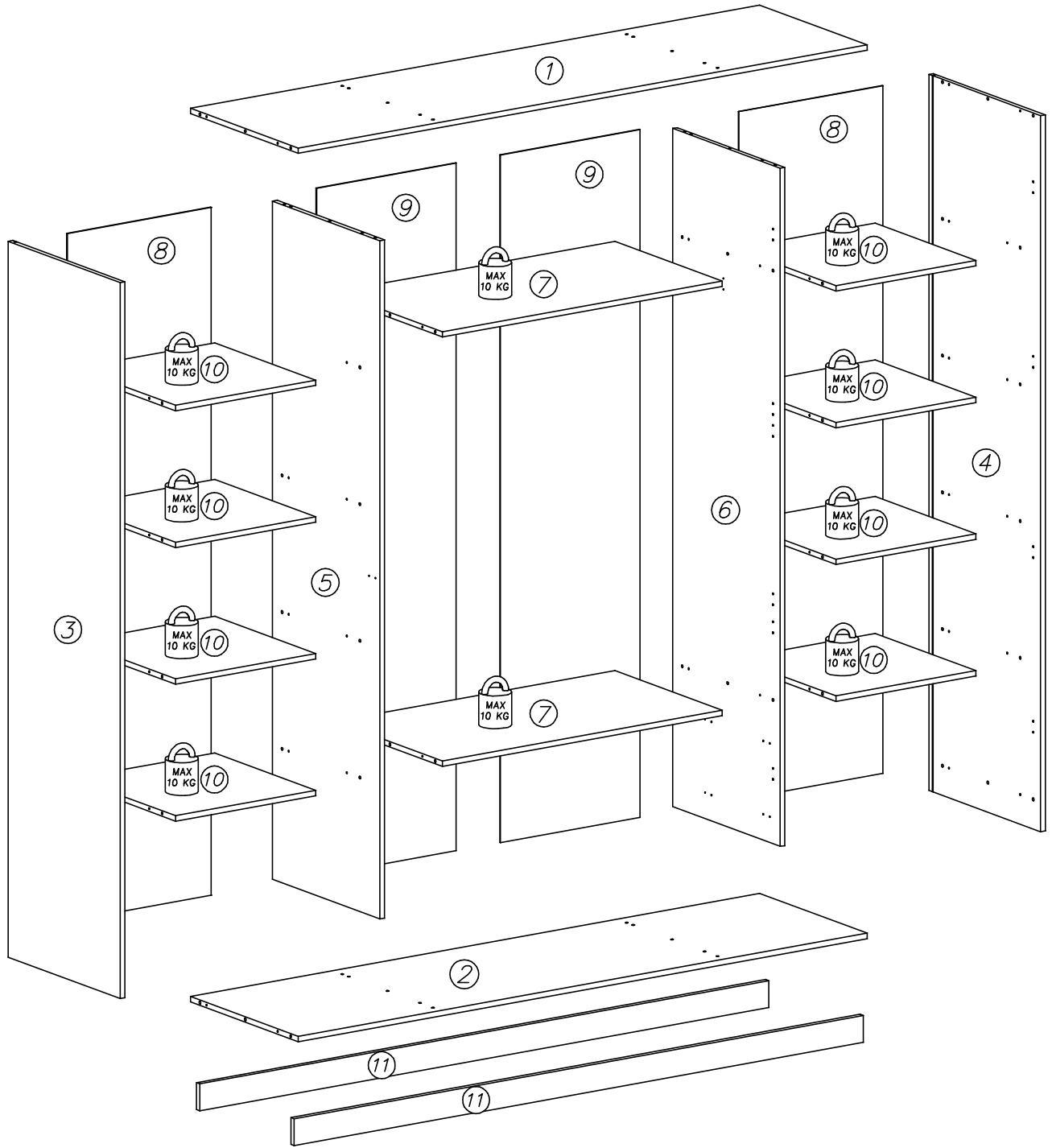
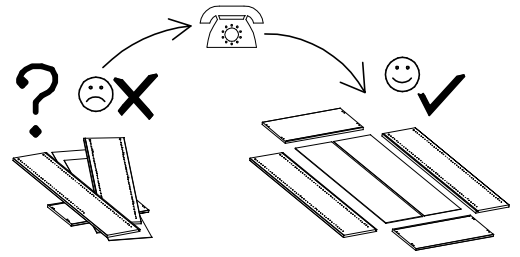
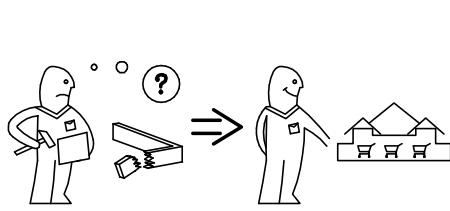
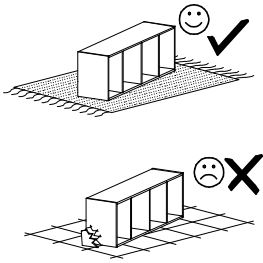
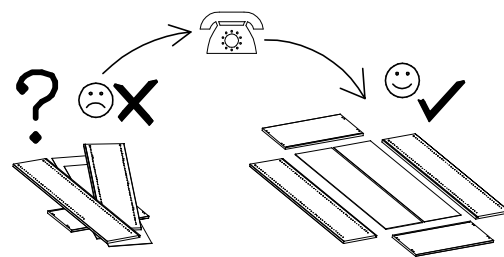
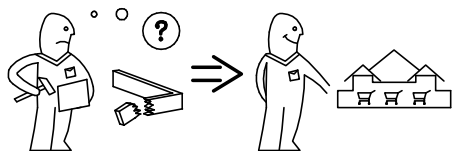
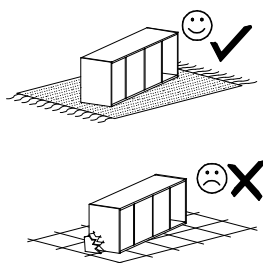


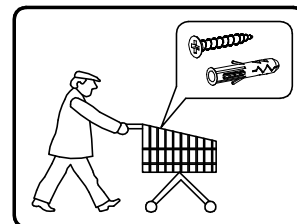
Installation & Assembly





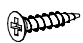


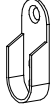


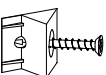


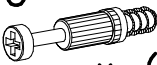

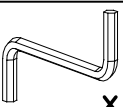
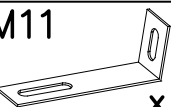





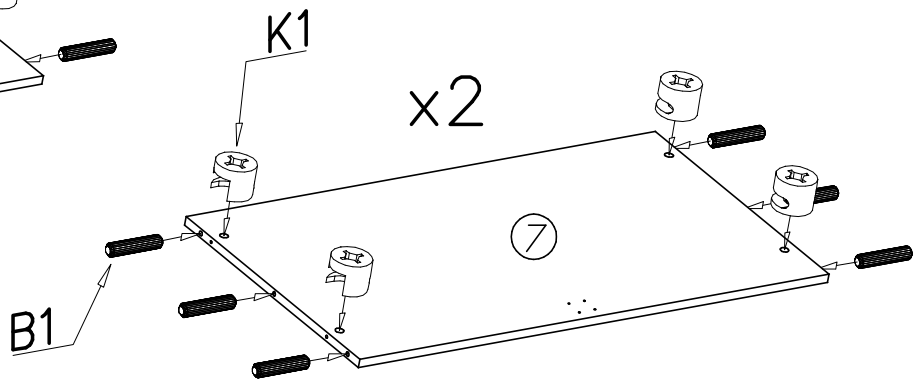
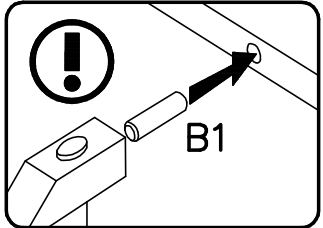
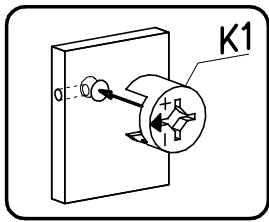
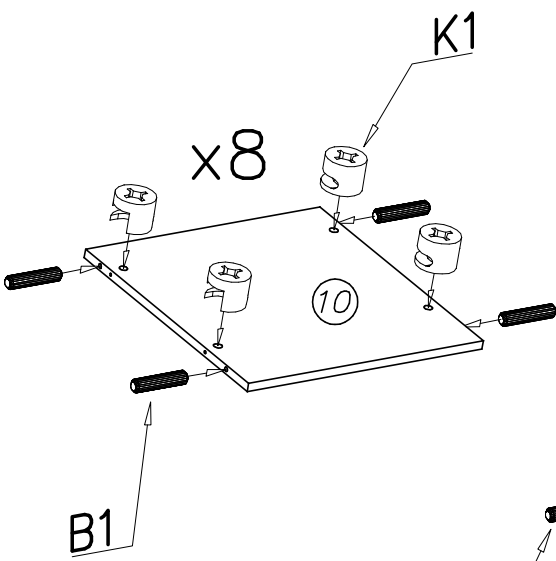
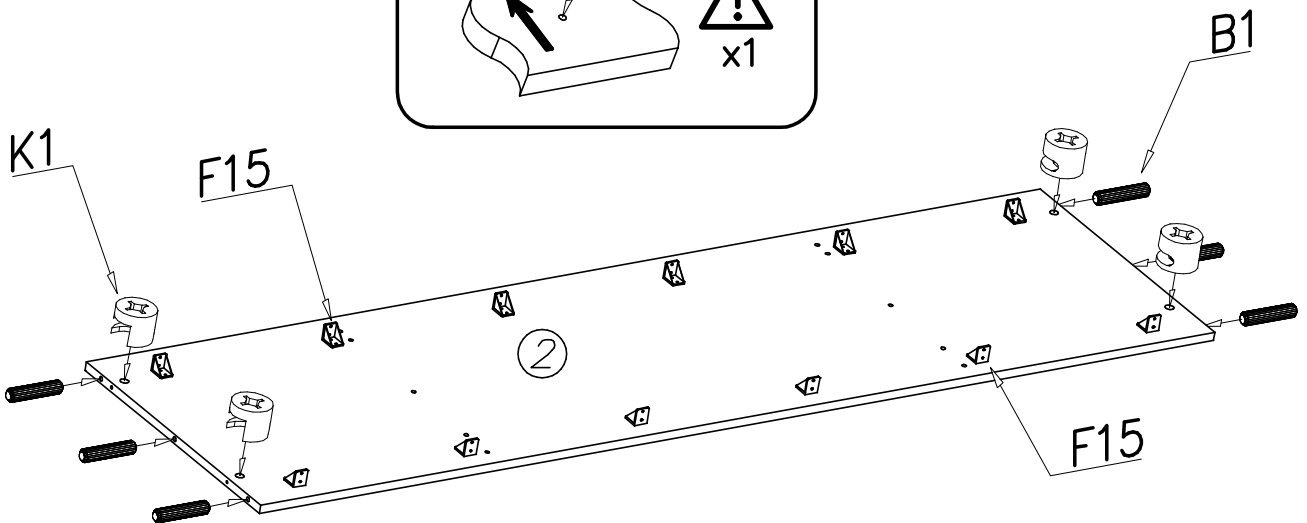
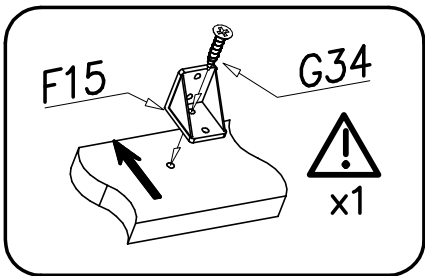
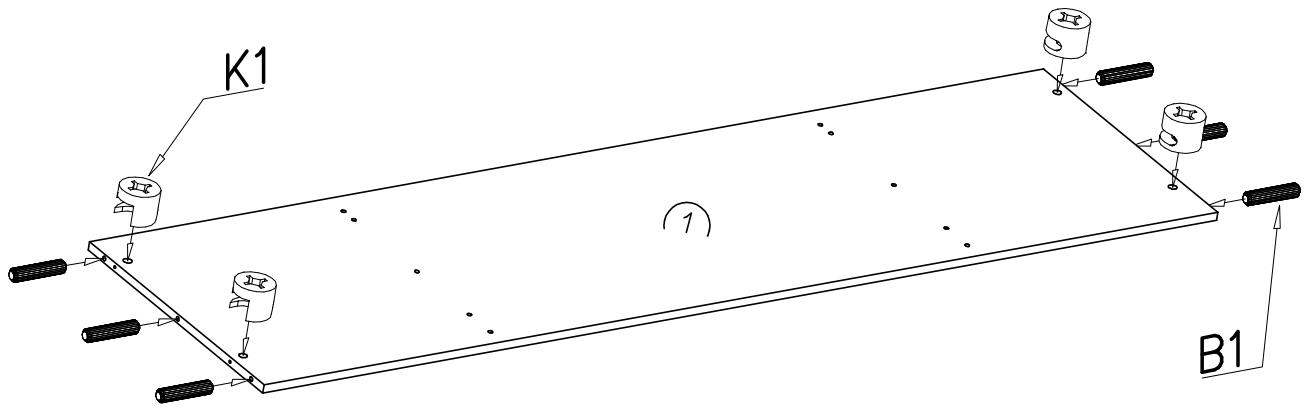
nr	L[mm]	B[mm]	T[mm]	Menge
1	532	1968	16	1
2	531	1968	16	1
3	2100	552	16	1
4	2100	552	16	1
5	1989	530	16	1
6	1989	530	16	1
7	530	968	16	2
8	2018	497	3	2
9	2018	490	3	2
10	484	498	16	8
11	1968	79	16	2



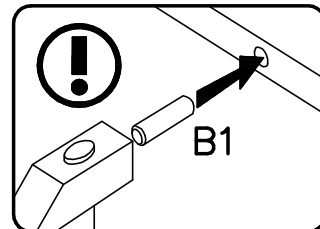
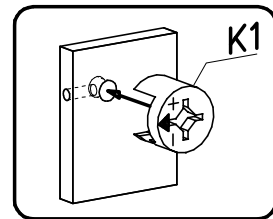
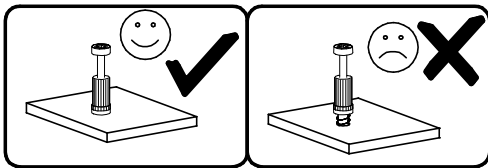
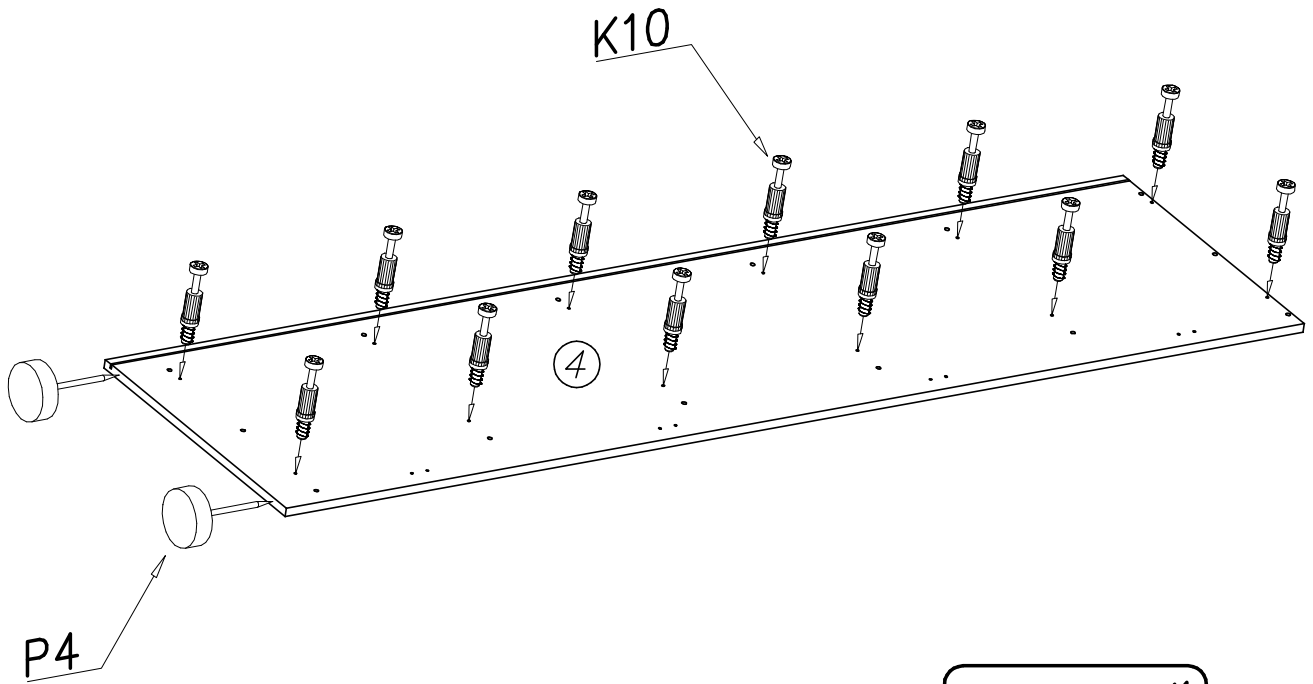
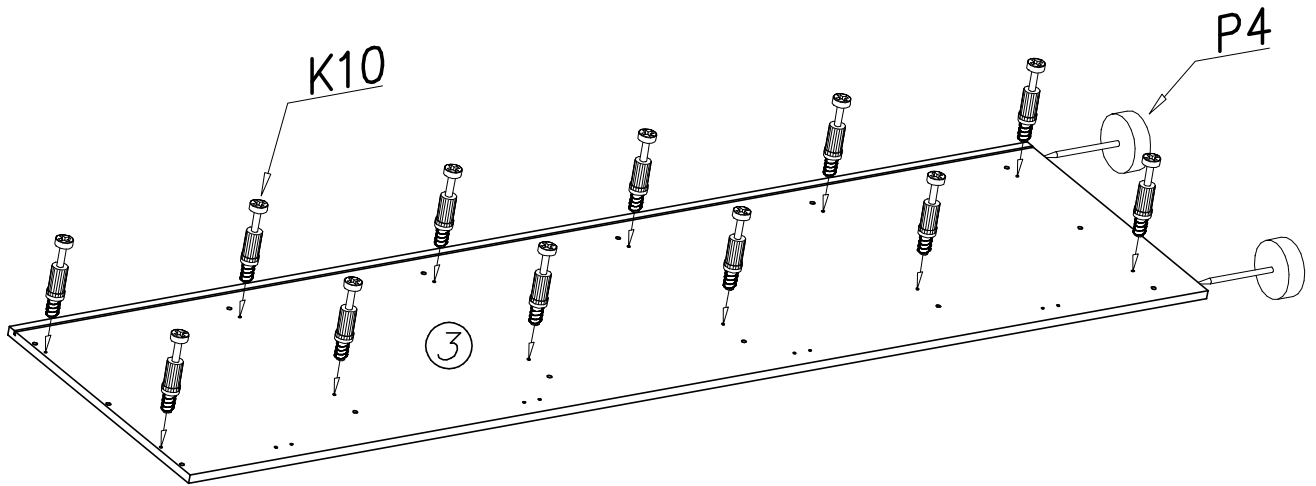
S5

 960mm x...(1)

P4  x...(8)	G57  3,5x16 x...(72)	F15  x...(16)	I7  ø18 x...(48)	S8  x...(2)
K1  ø15x12 x...(48)	S1  1988mm x...(1)	I1  x...(10)	A1  ø7x50 x...(8)	G2  3x20 x...(126)
K10  x...(48)	B1  ø8x35 x...(68)	W2  x...(1)	M11  x...(2)	S2  x...(36)

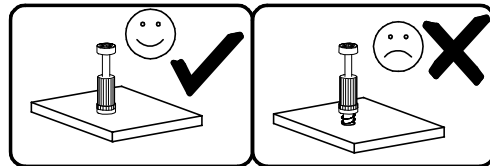
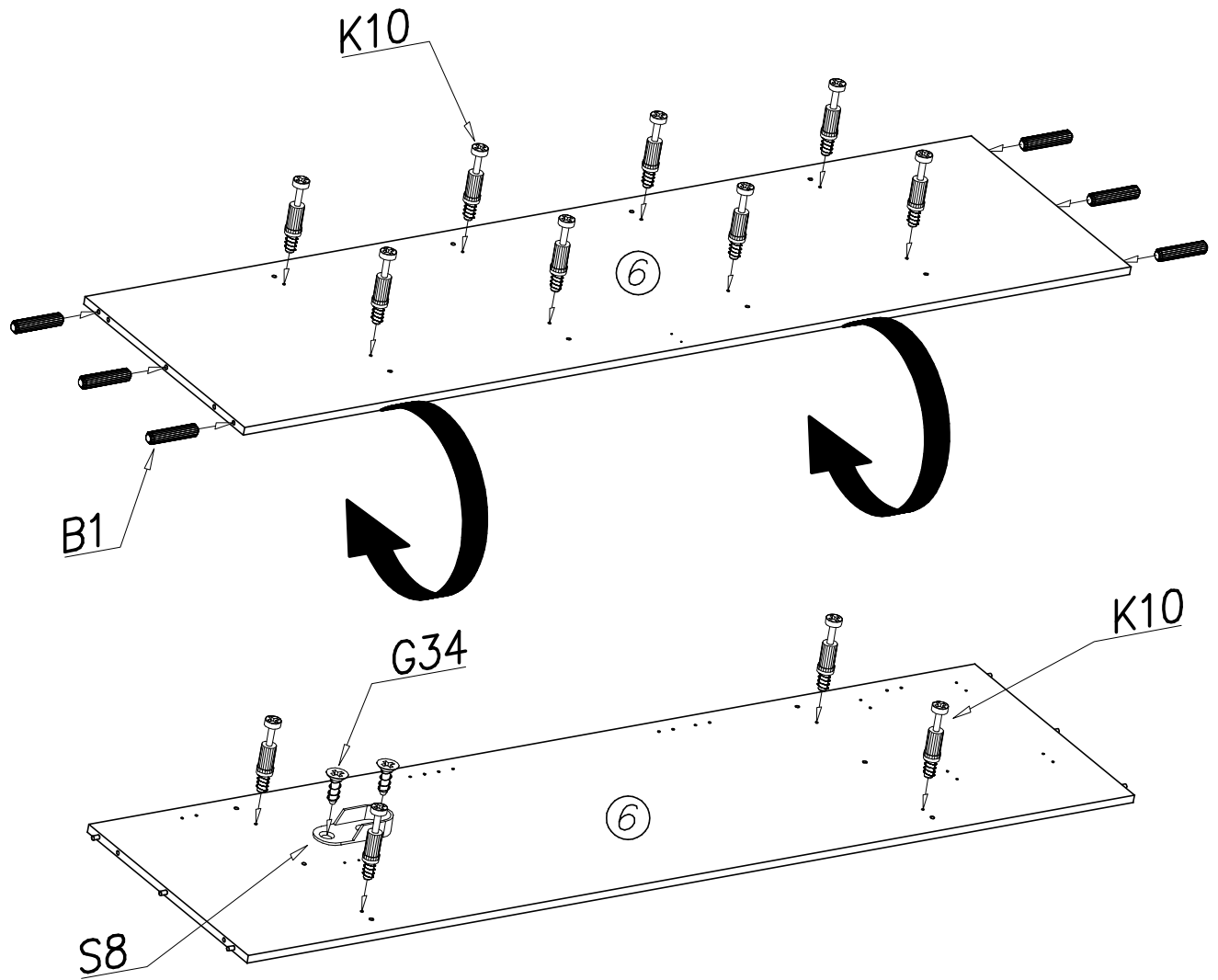
I



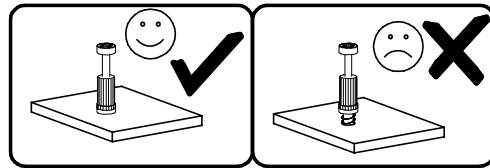
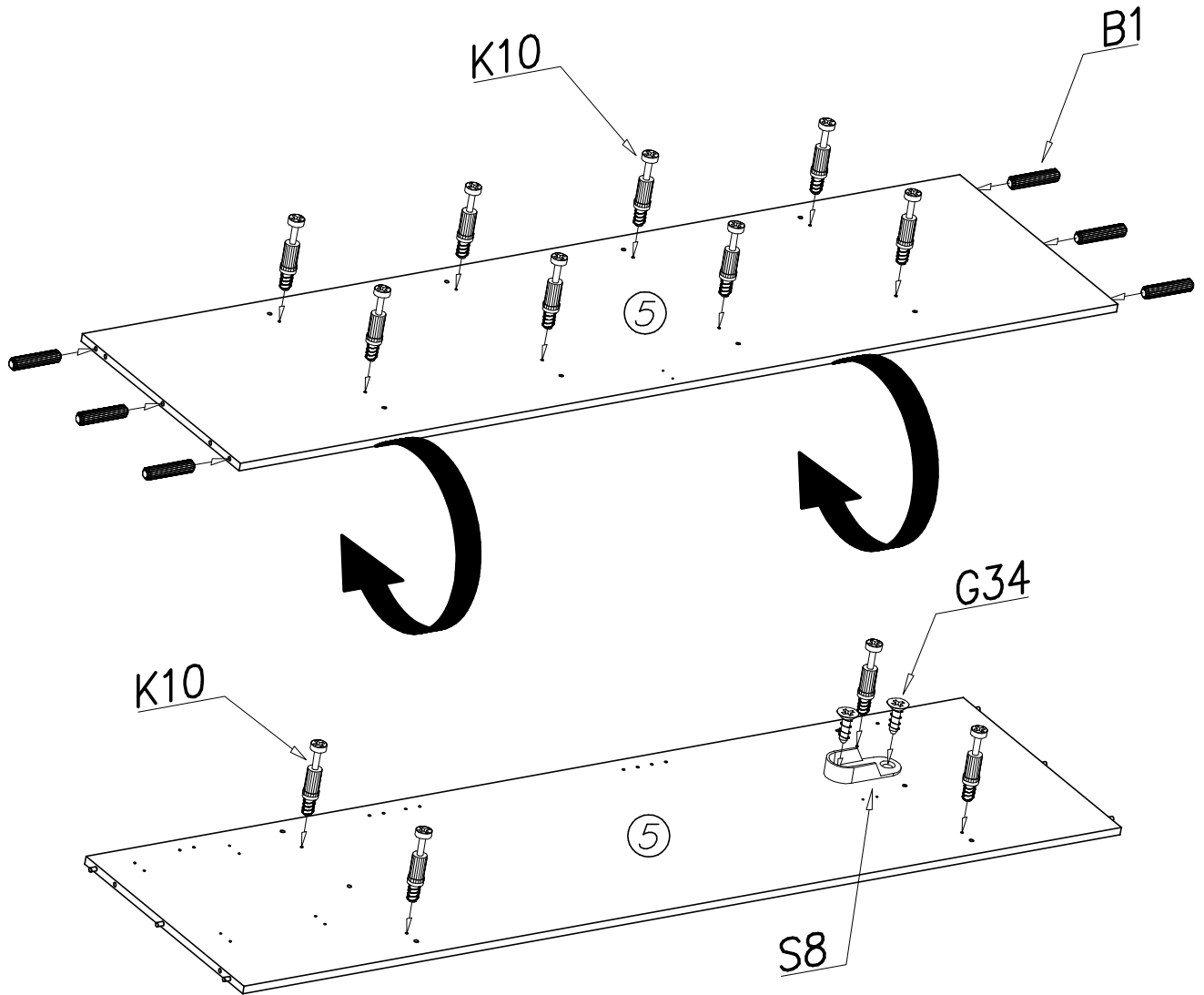
II



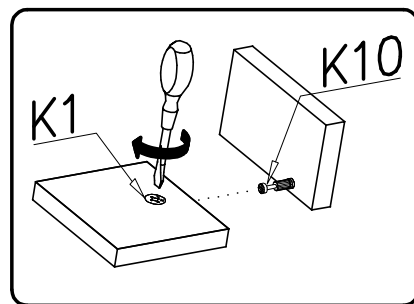
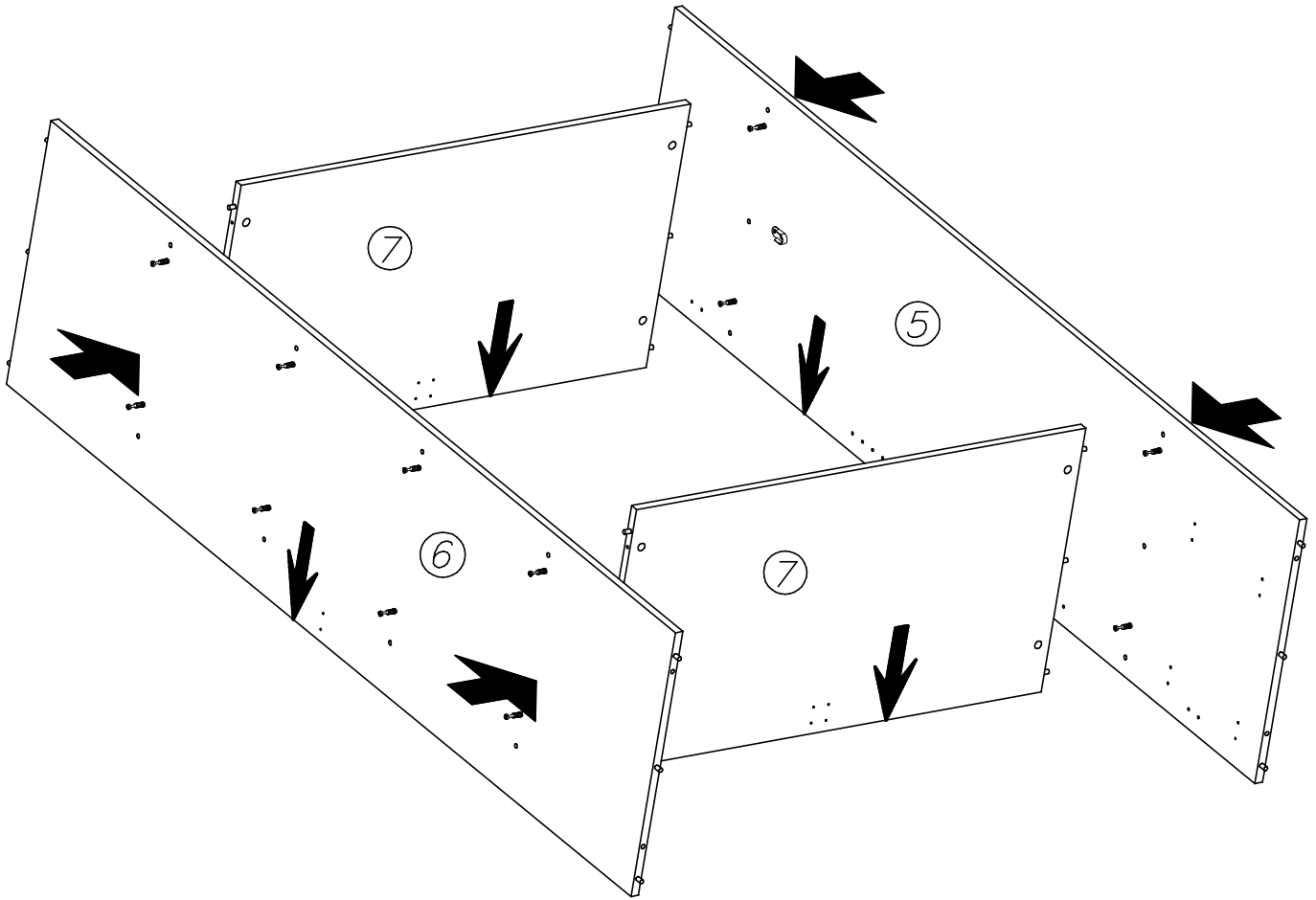
III



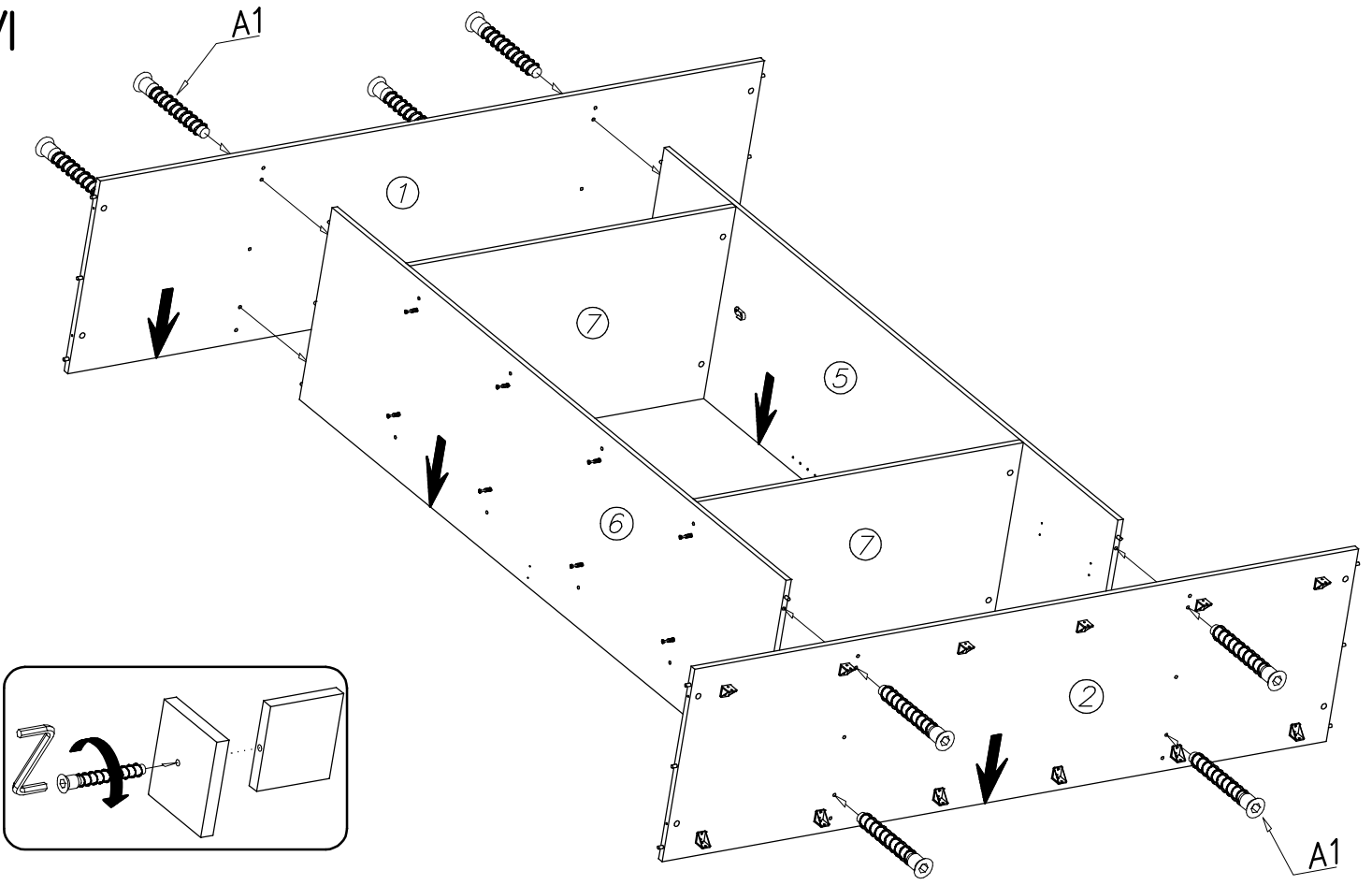
IV



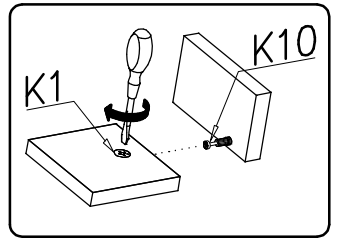
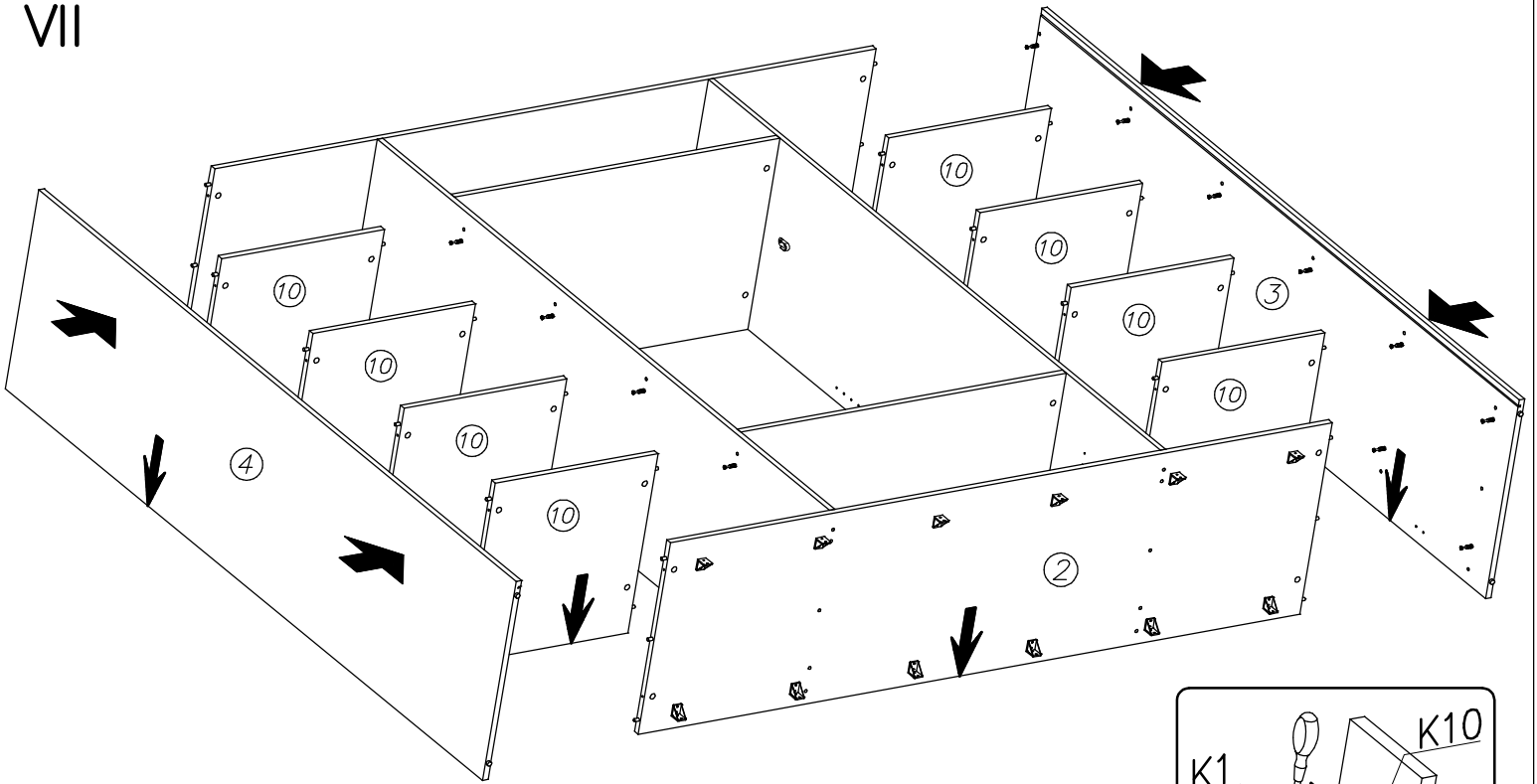
V



VI

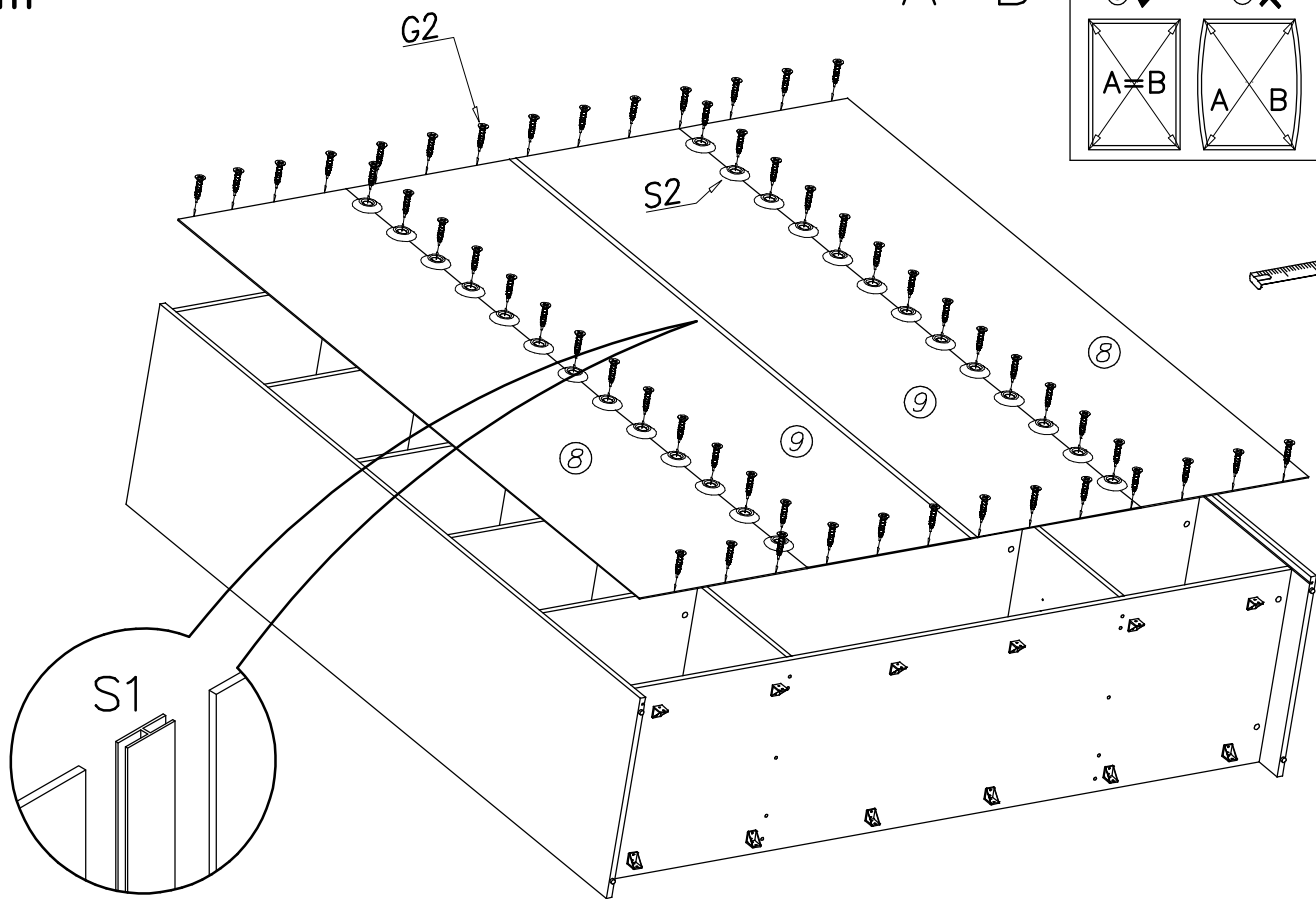
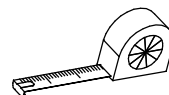
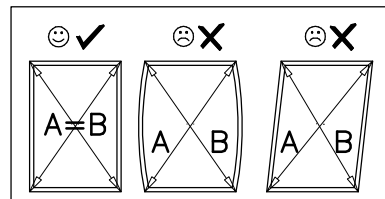


VII

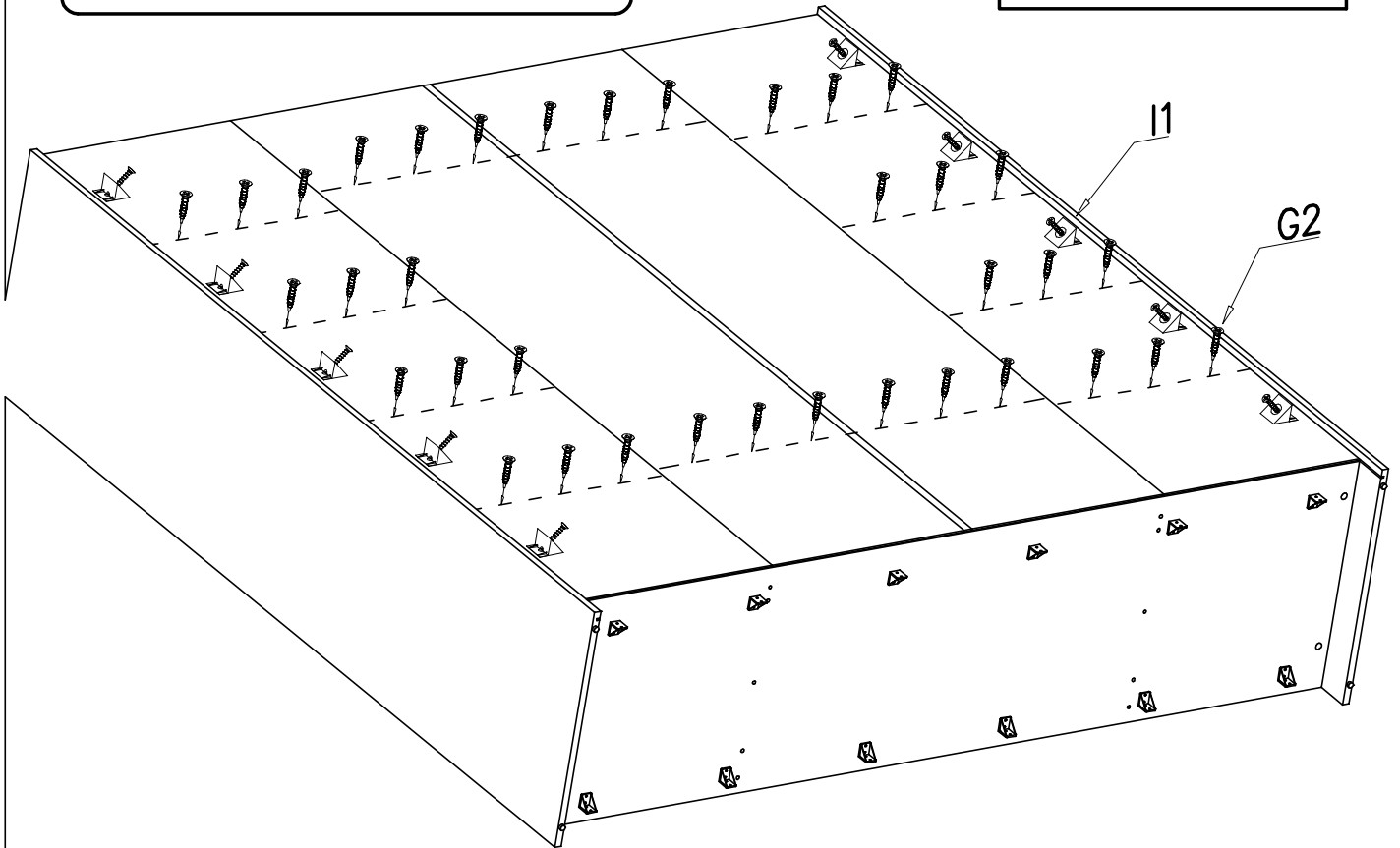
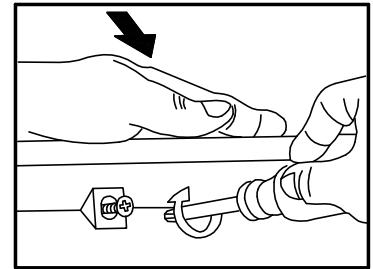
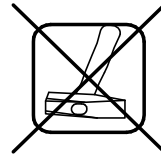
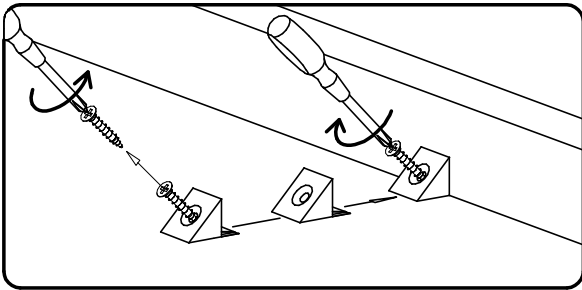
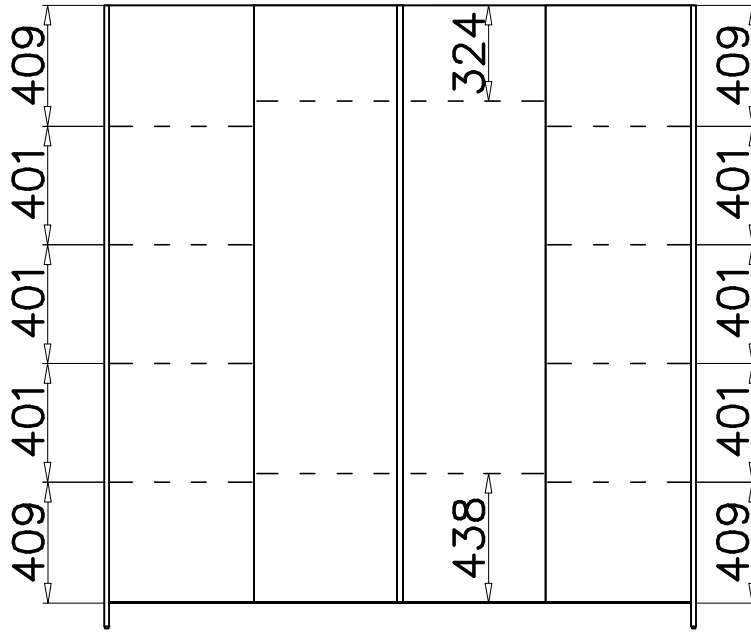


VIII

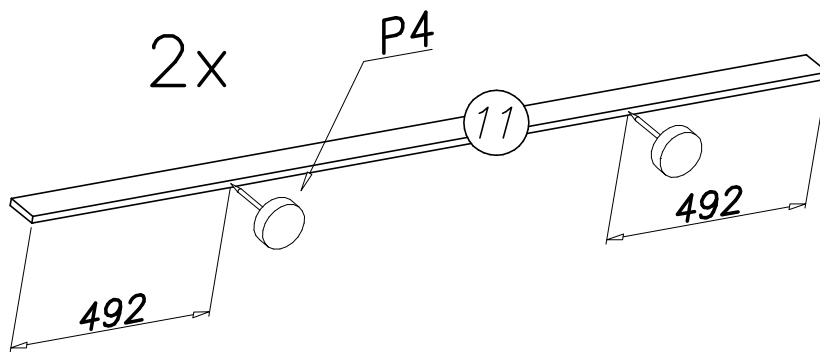
A=B



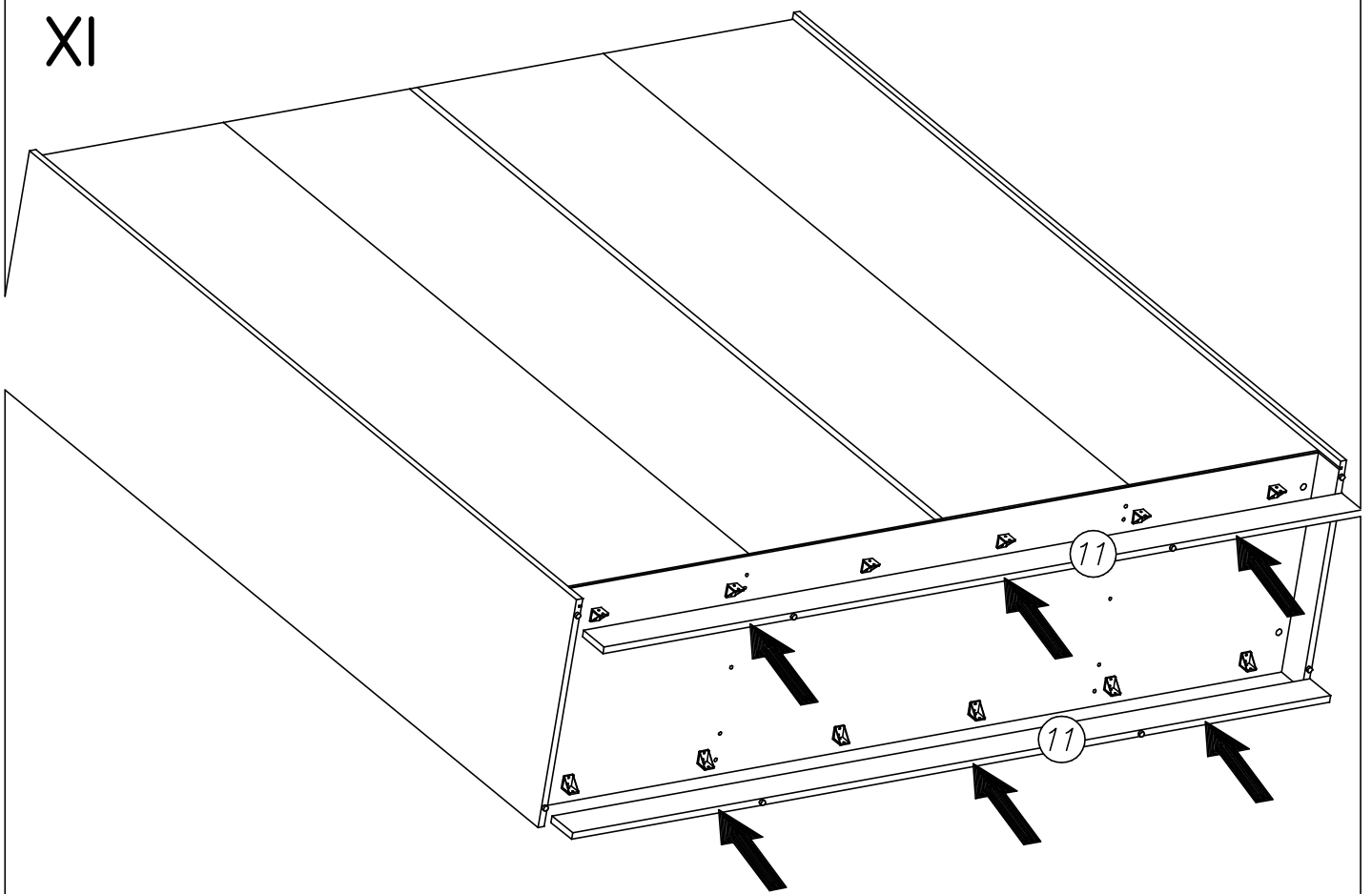
IX



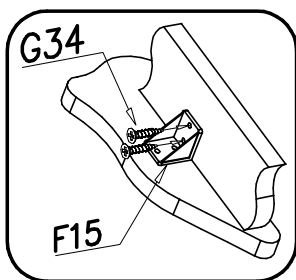
X



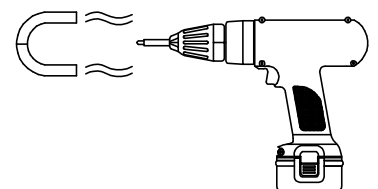
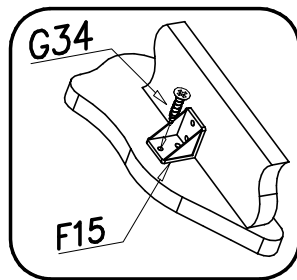
XI



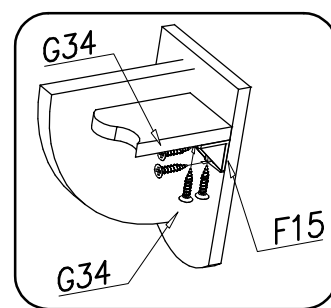
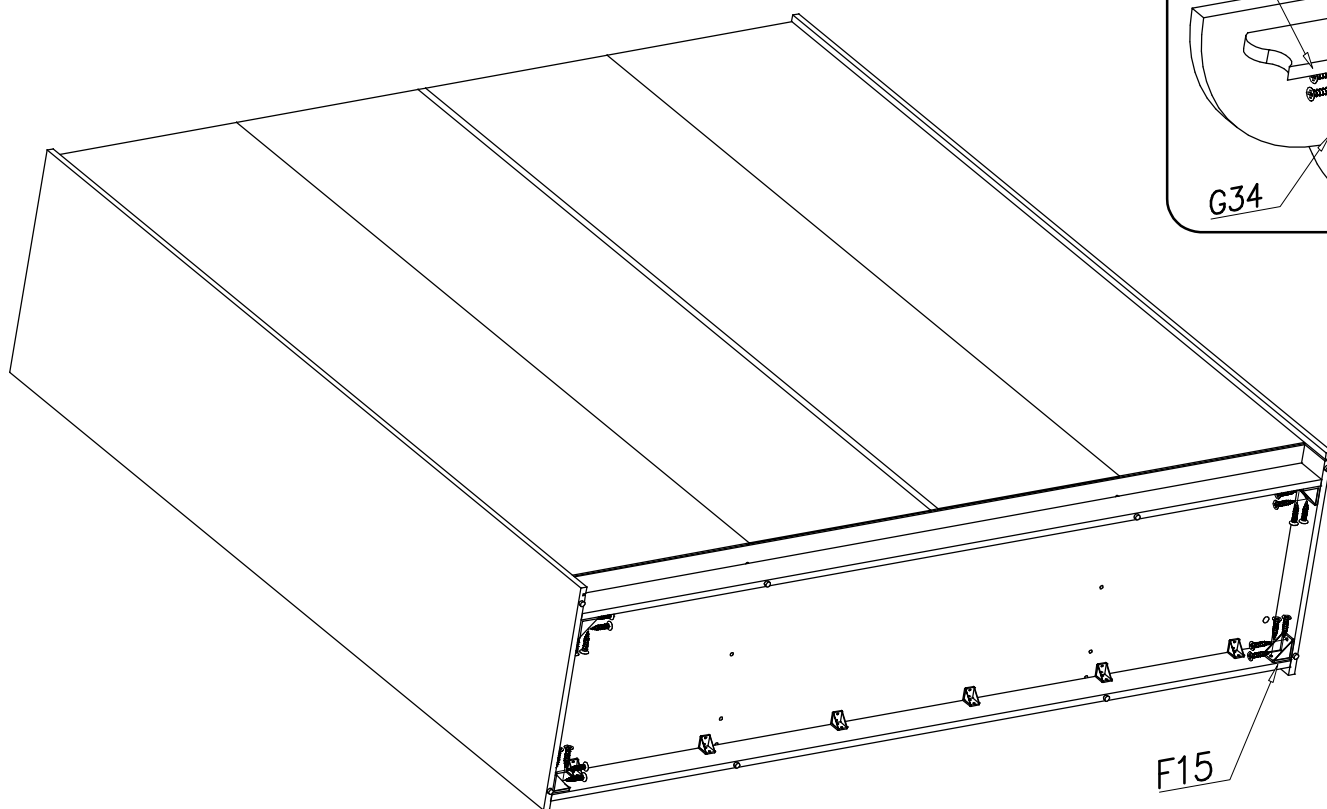
1.



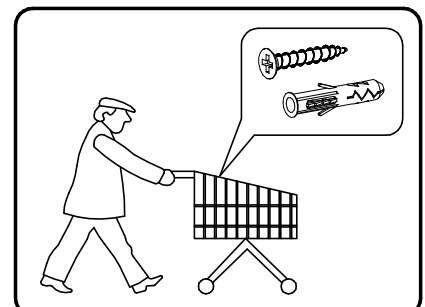
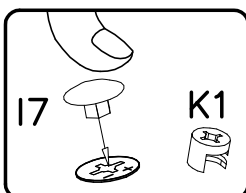
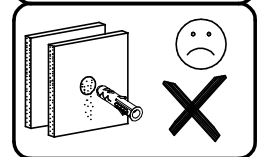
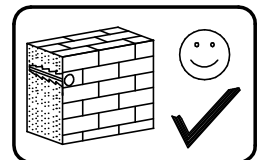
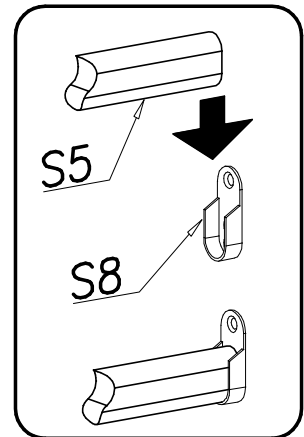
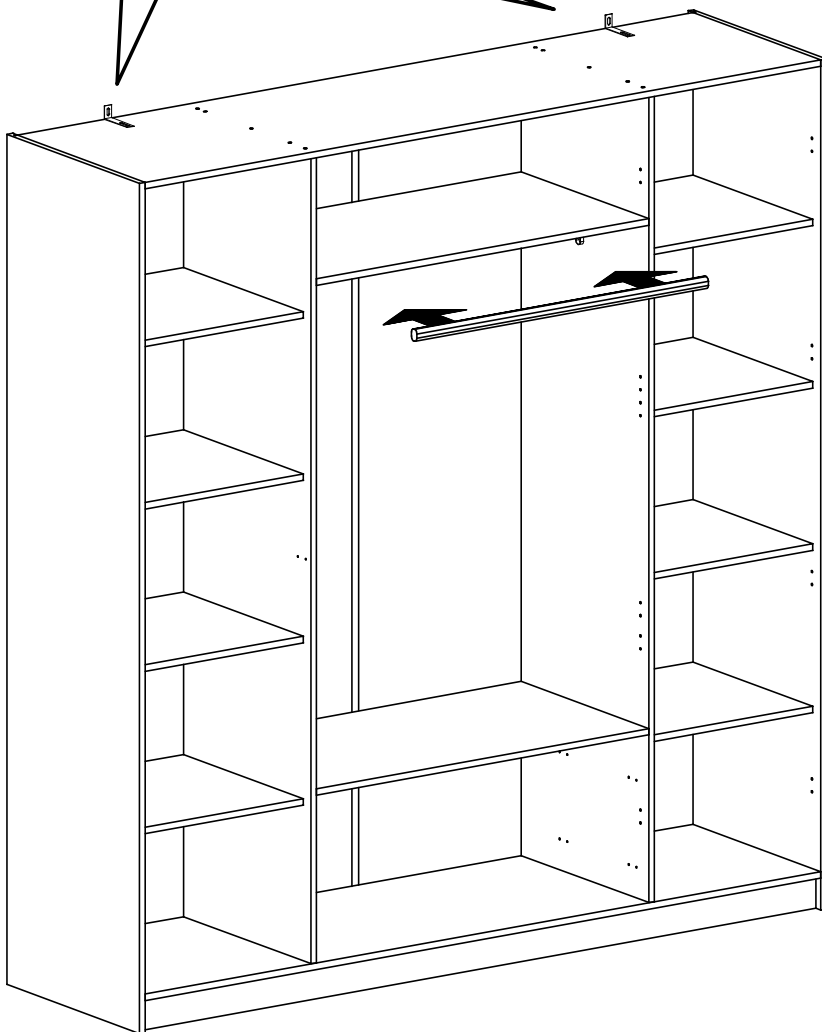
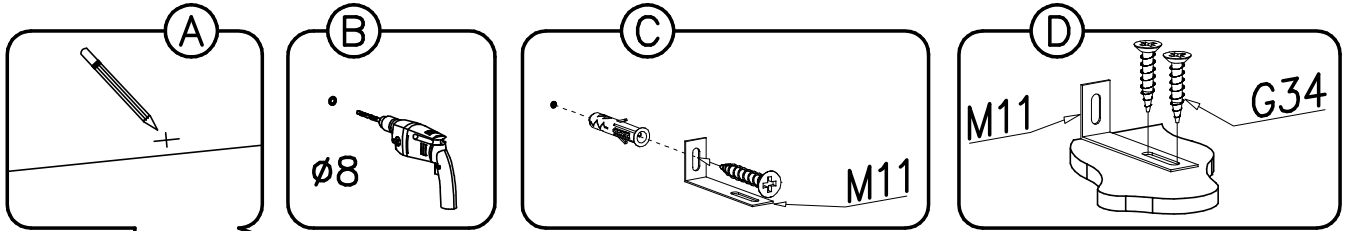
2.



XII

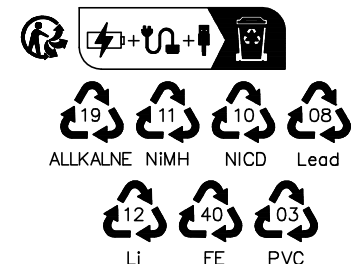
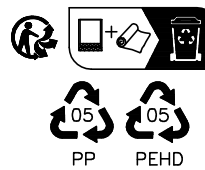
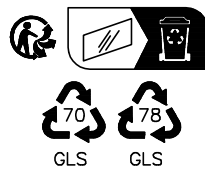
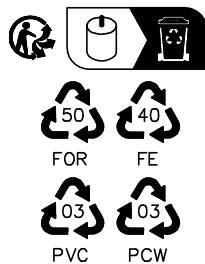
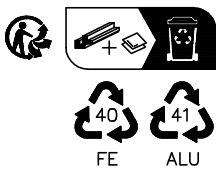
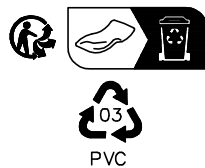
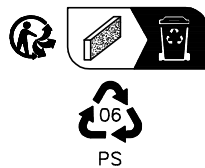
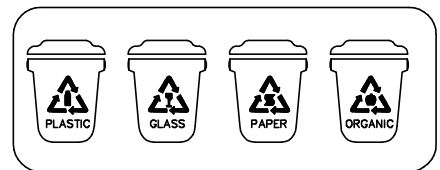
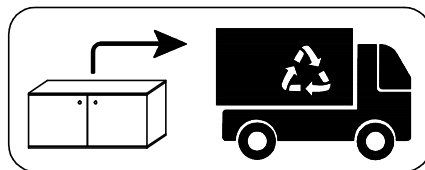
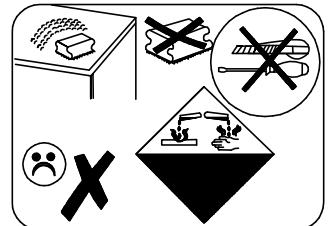
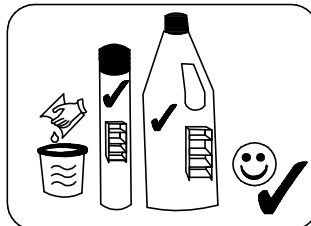
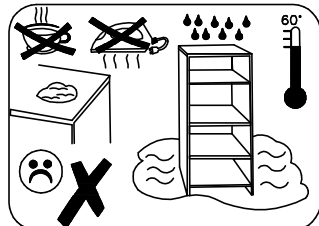
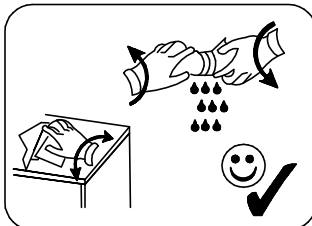
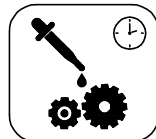
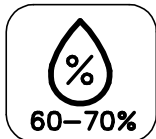
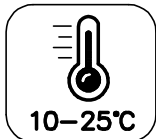
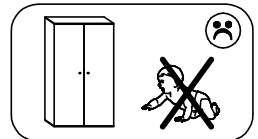
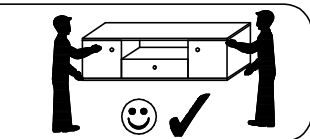
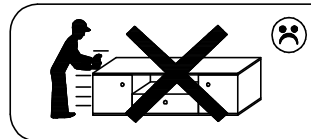
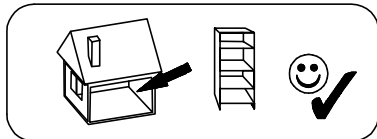
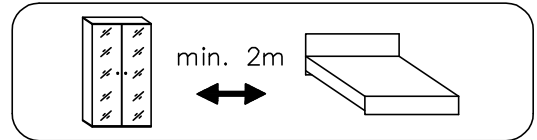
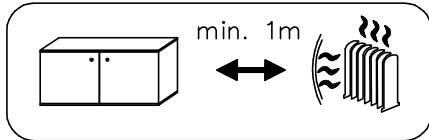
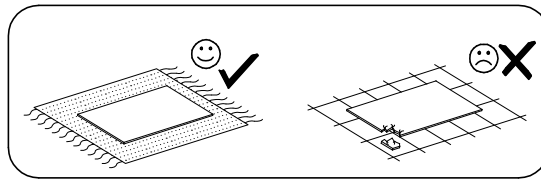
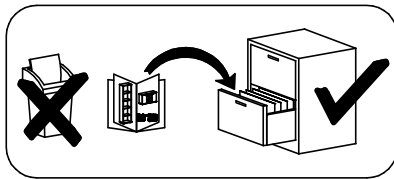


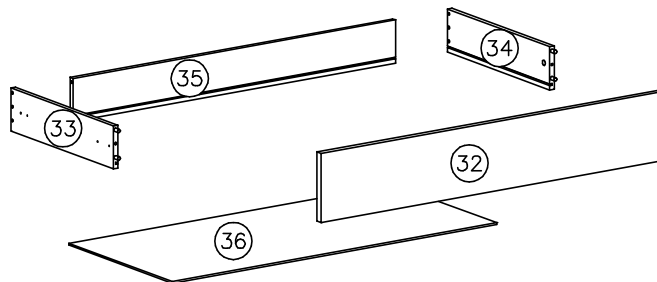
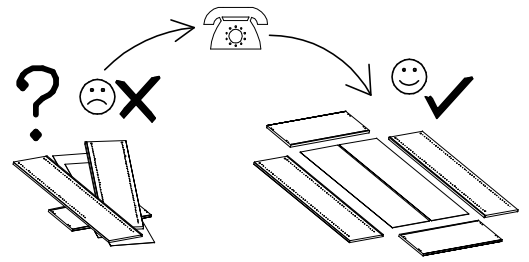
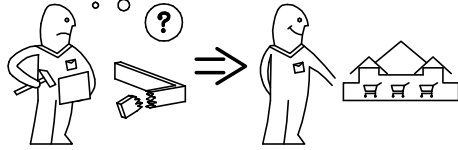
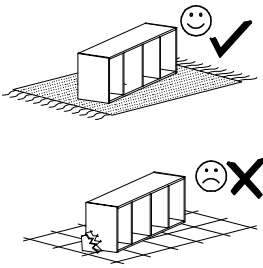
XIII

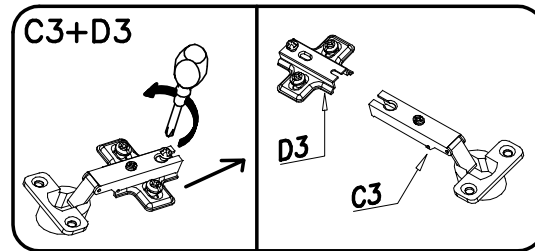
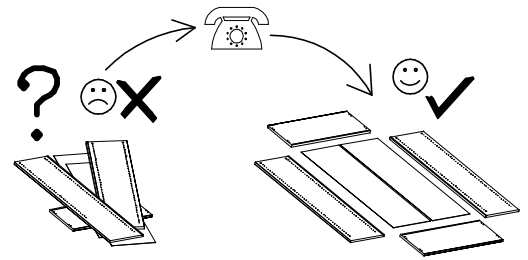
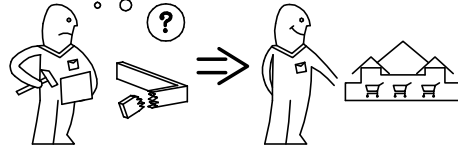
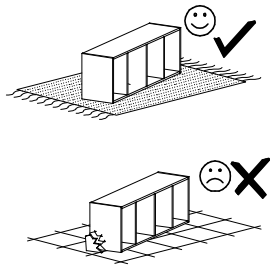




Uwaga • Upozornění • Achtung • Attention • Caution • Figyelem
 Attenzione • Opgelet • Внимание • Atenție • Upozornenie • Dikkat

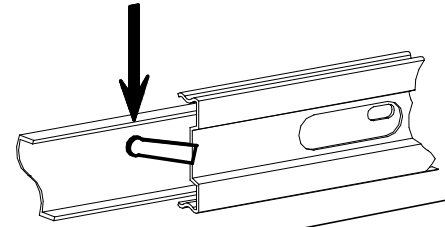
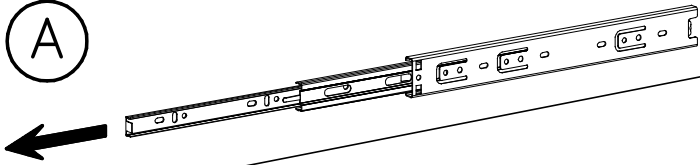




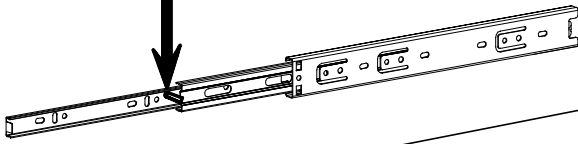


H24 H35-400mm x...(2)	C3 Z35PR x...(16) D3 PZ35PR x...(16)	G34 3,5x16 x...(36) I27 18mm x...(8)	W2 x...(1) G57 3,5x16 x...(8)	K4 ø12x10 x...(4) L14 x...(4)
K10 x...(4)	W1 x...(1)	G58 6x32 x...(8)	M8 400mm x...(2) G20 5x11 x...(8)	A6 ø7x40 x...(8)

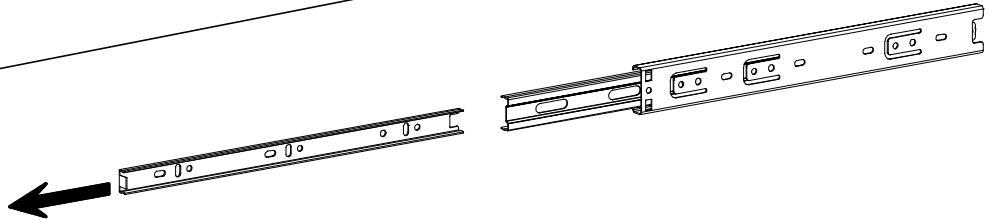
(A)



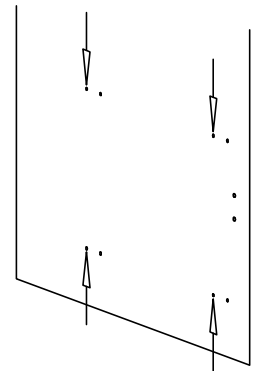
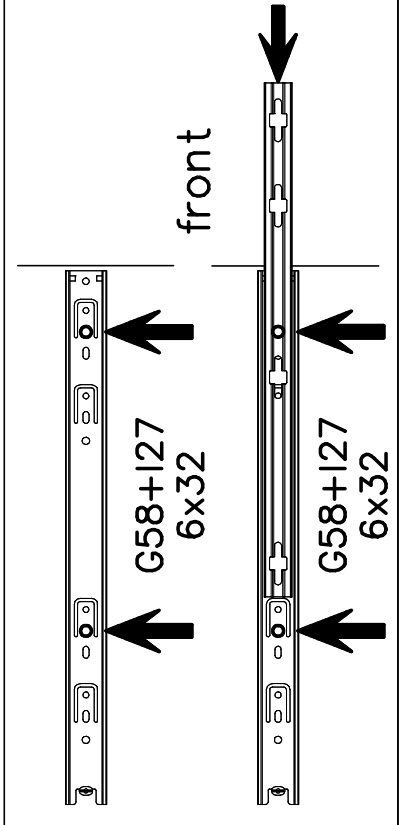
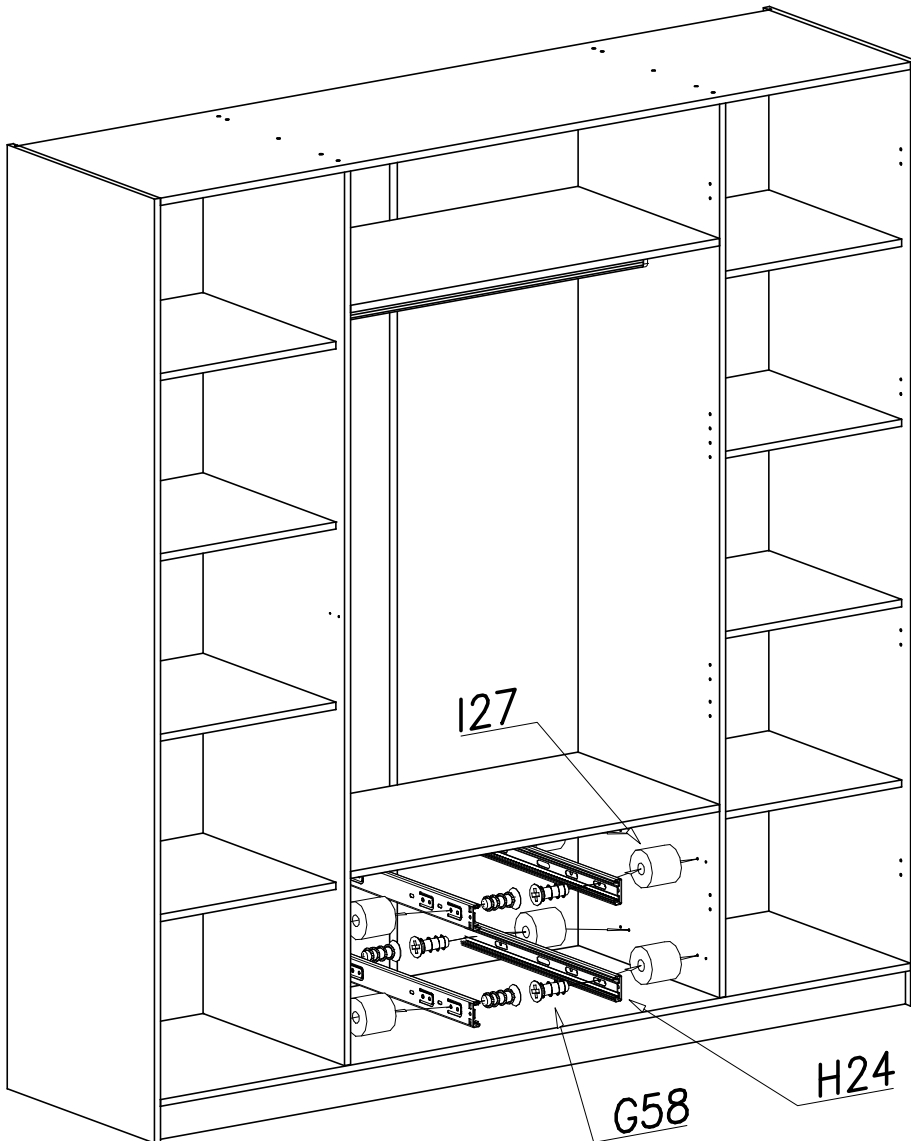
(B)



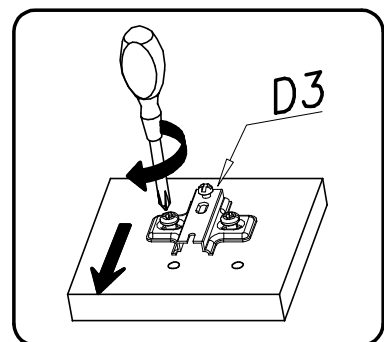
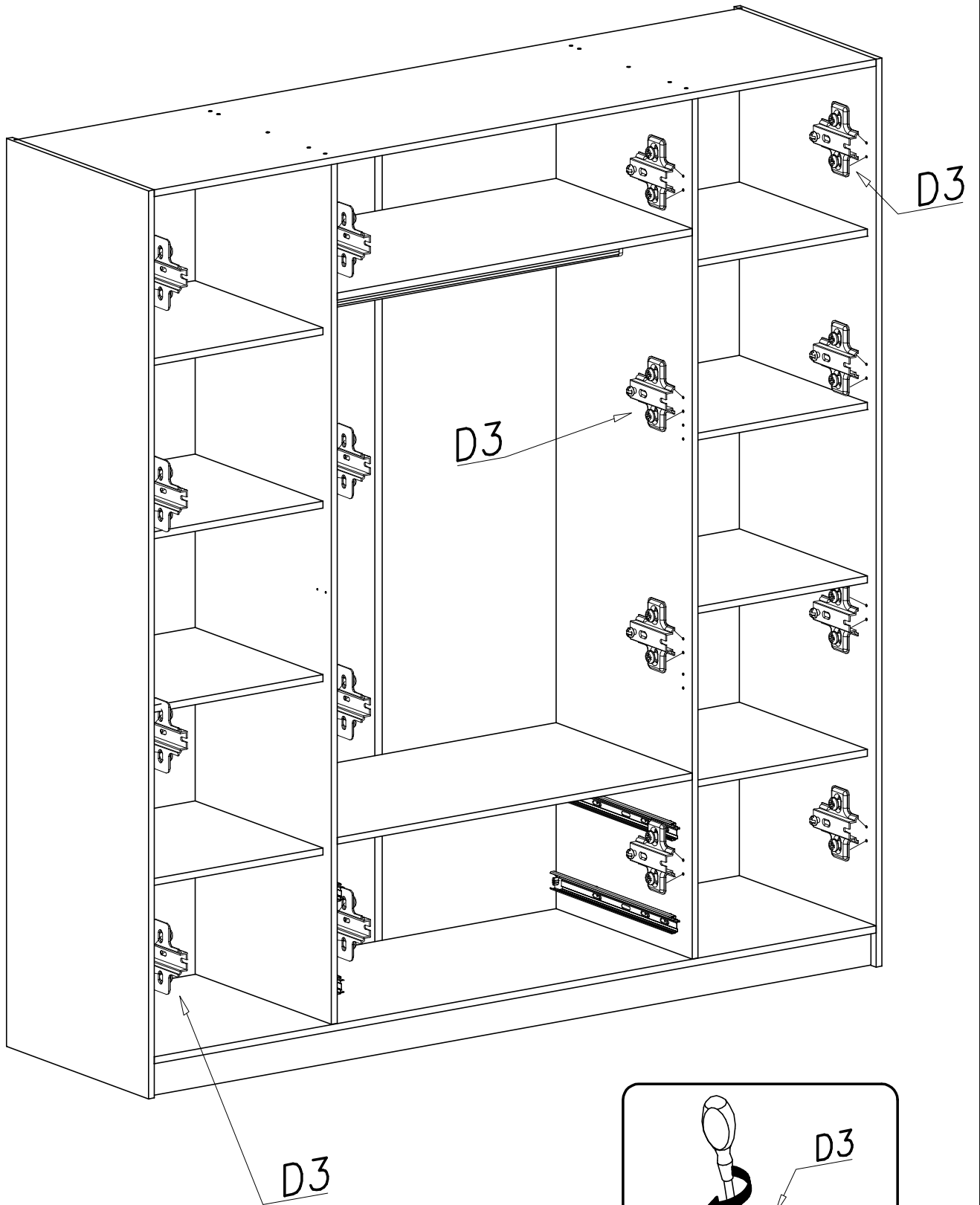
(C)



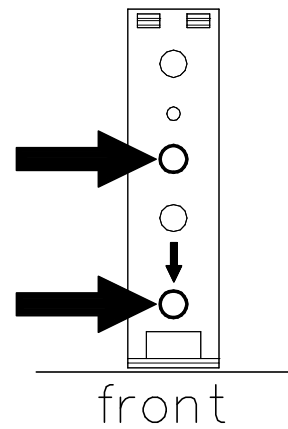
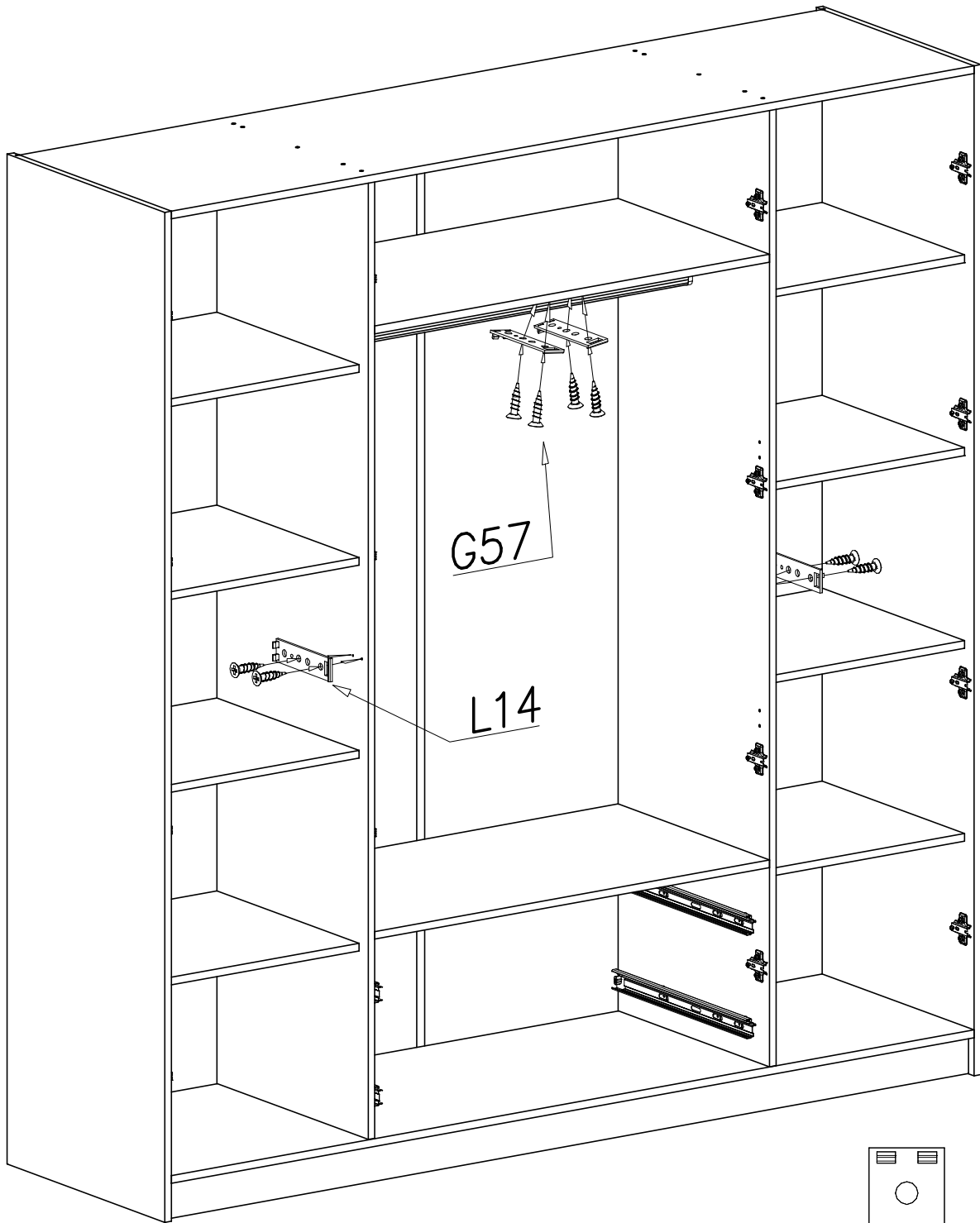
I



II

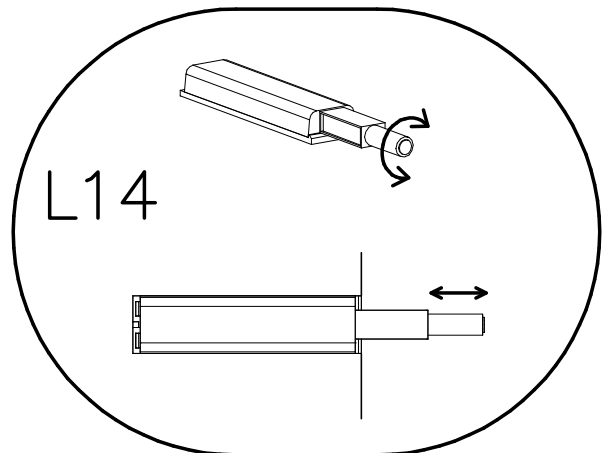
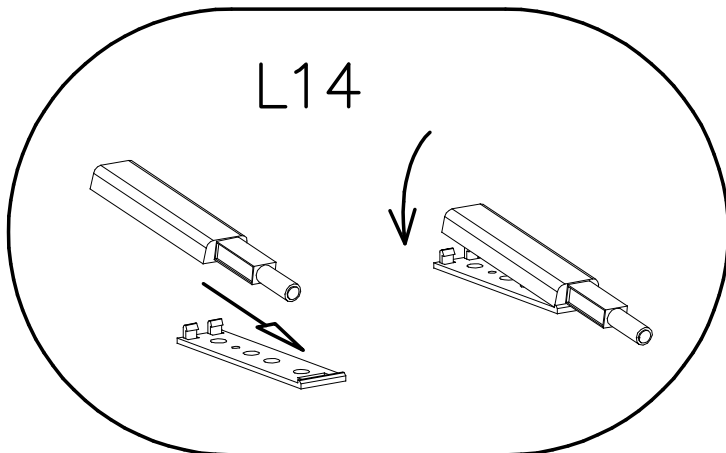
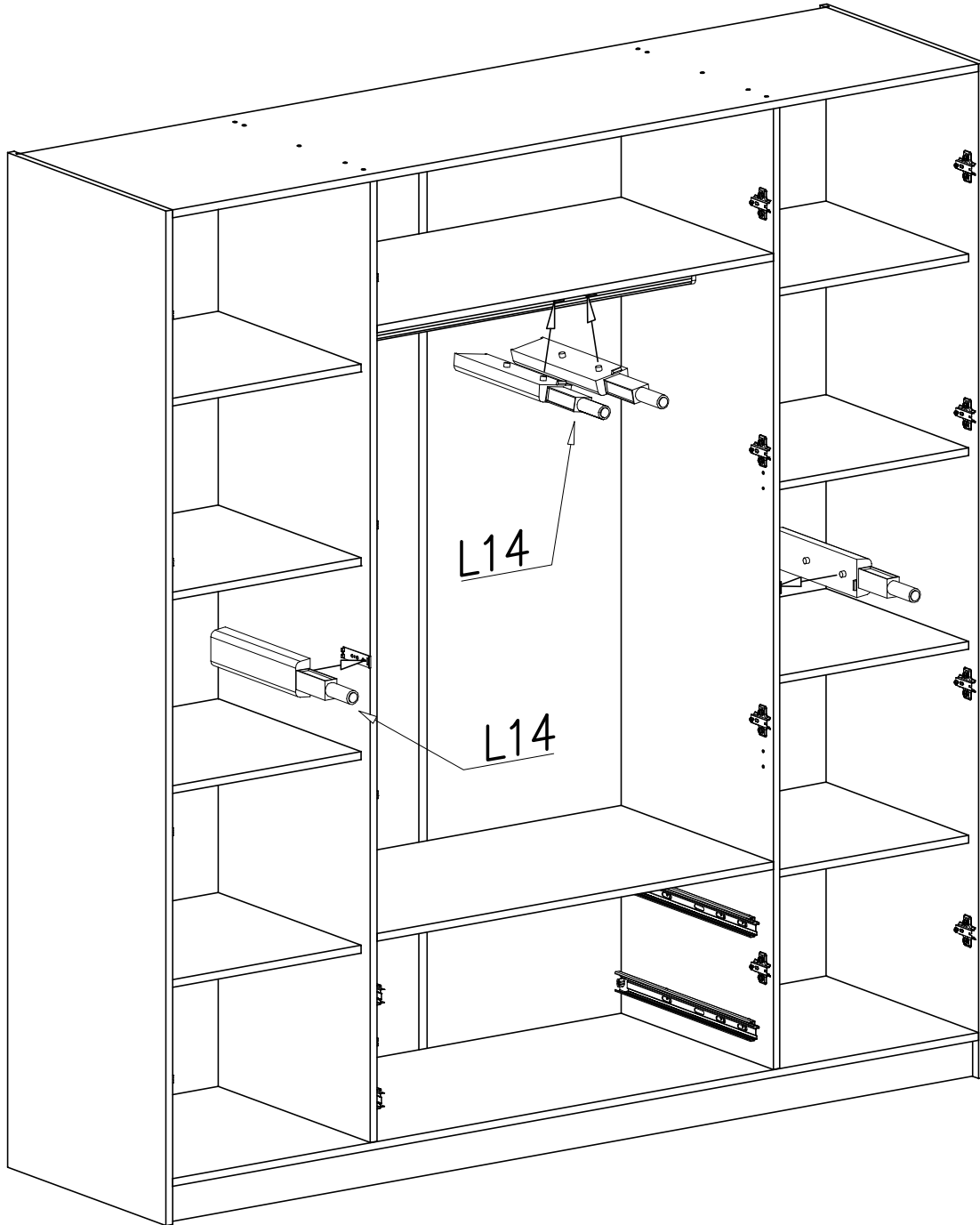


III

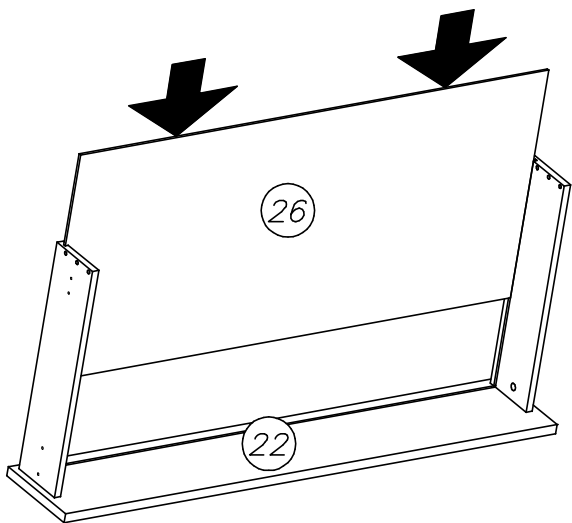
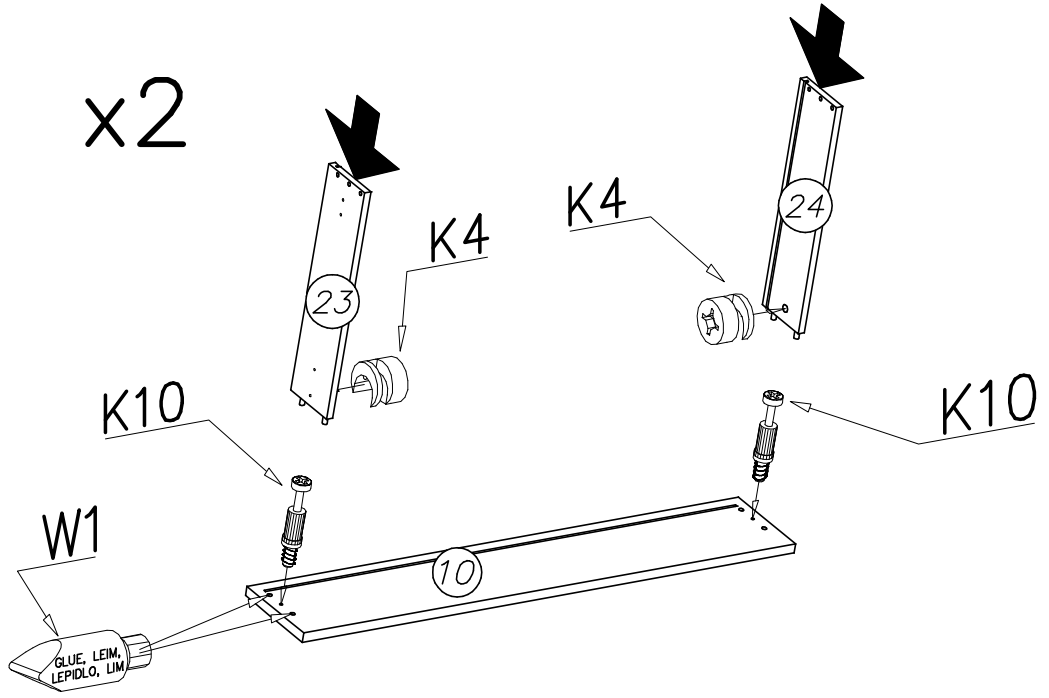


front

IV

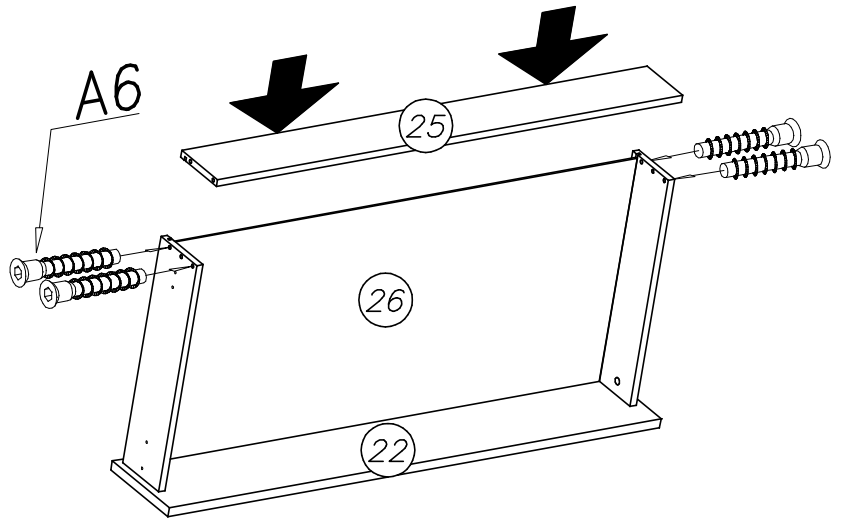


V

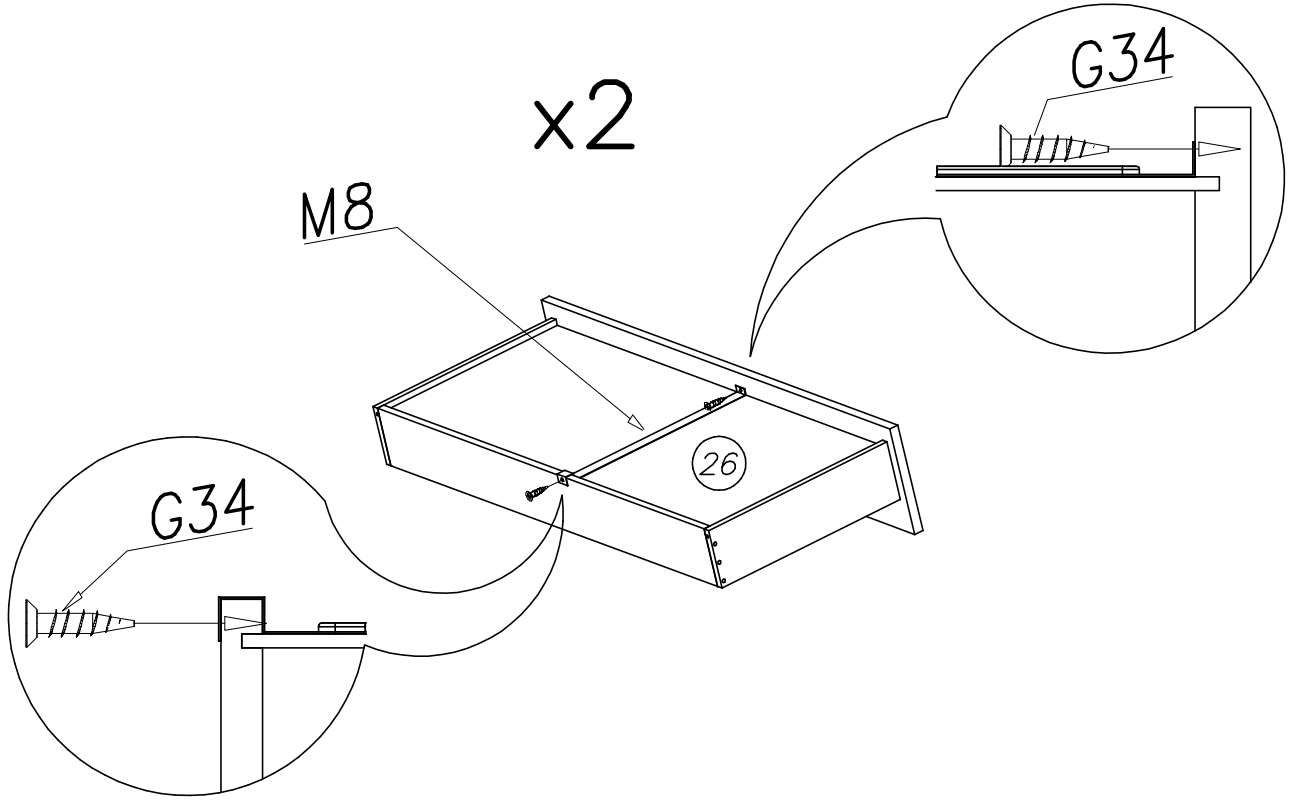


x2

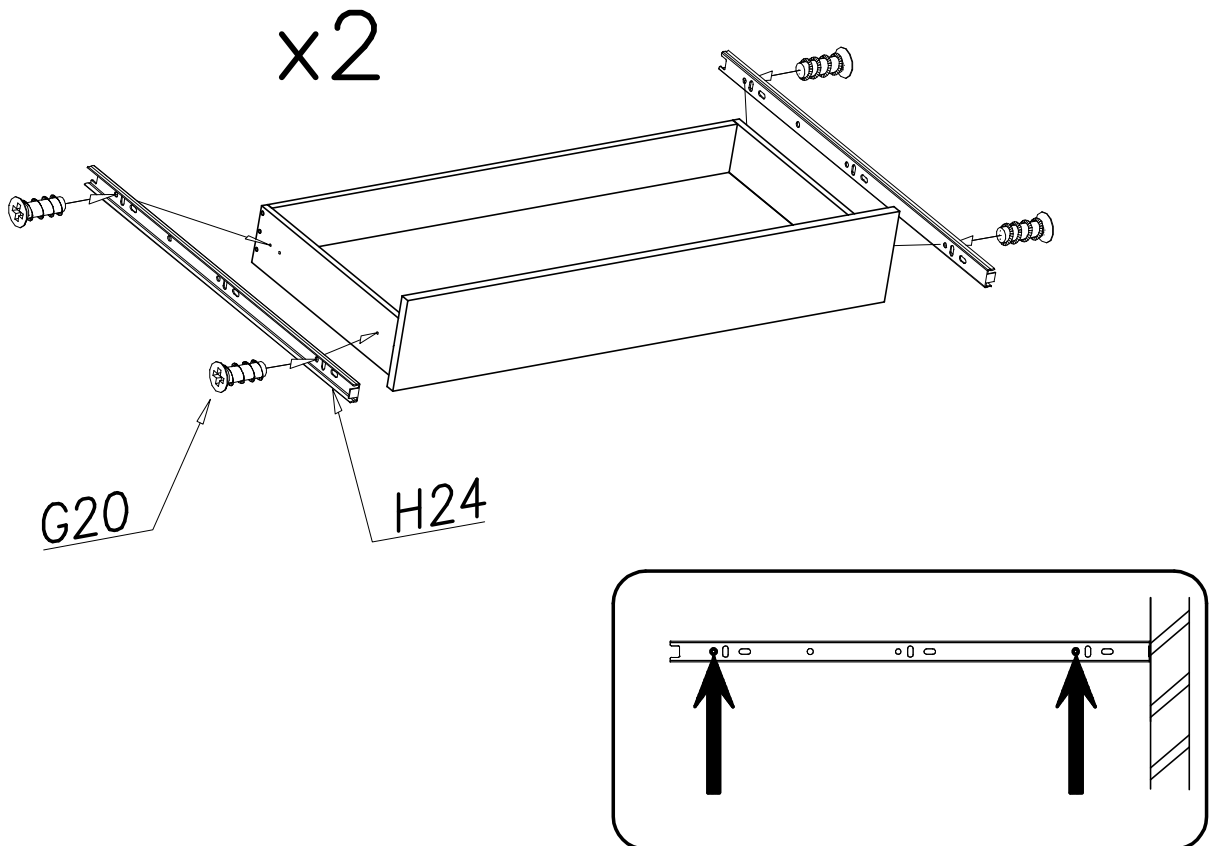
x2



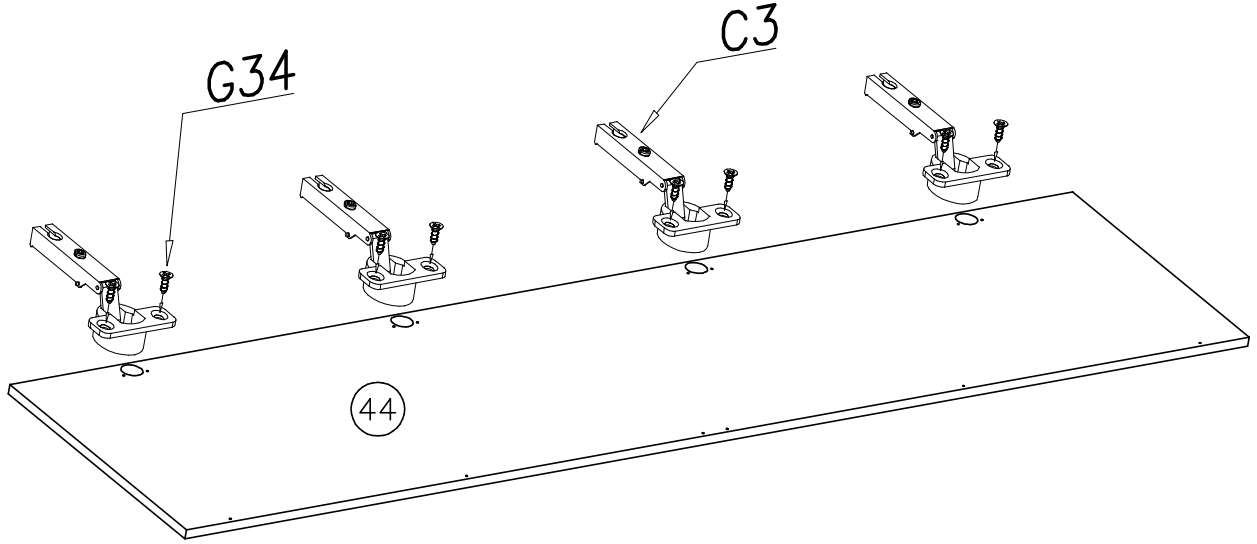
VI



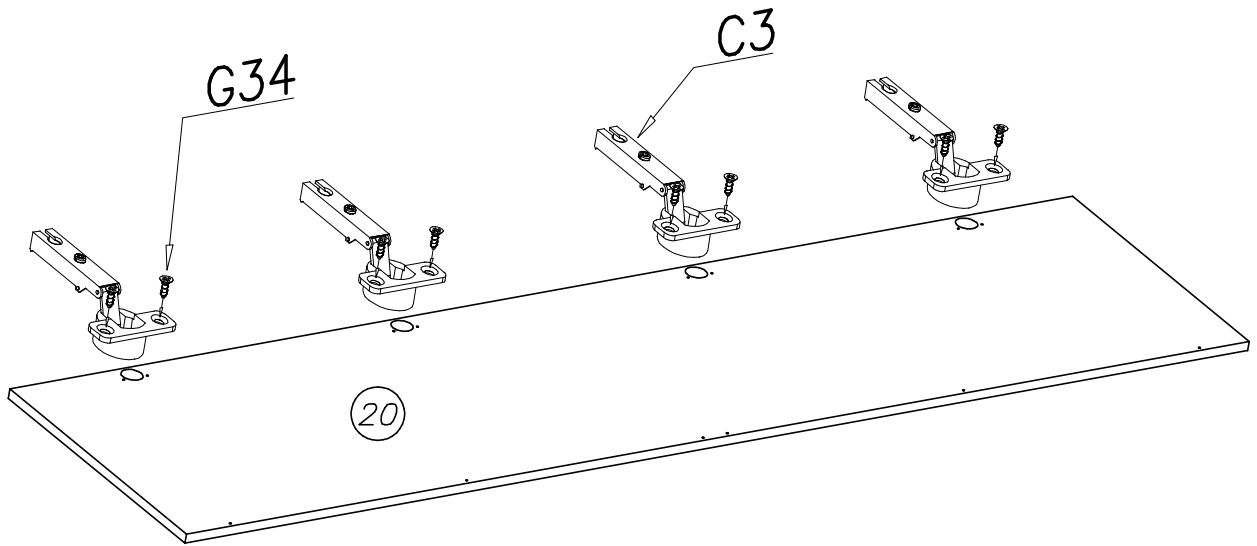
VII



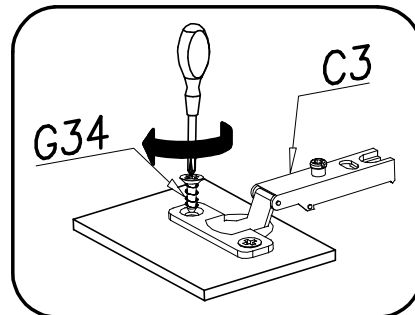
VIII



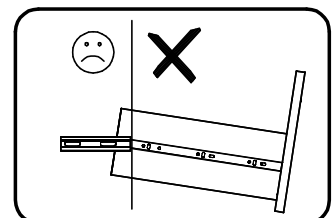
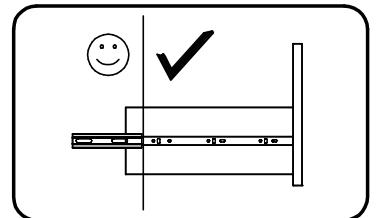
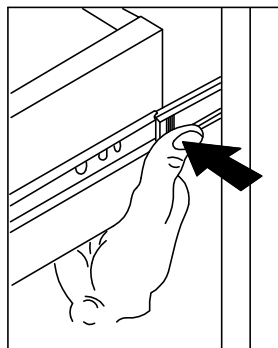
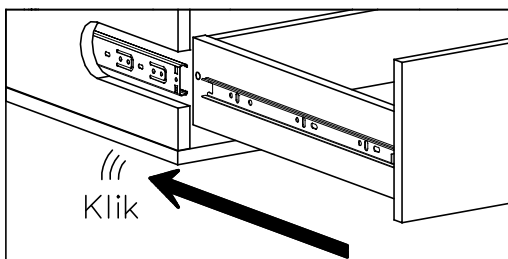
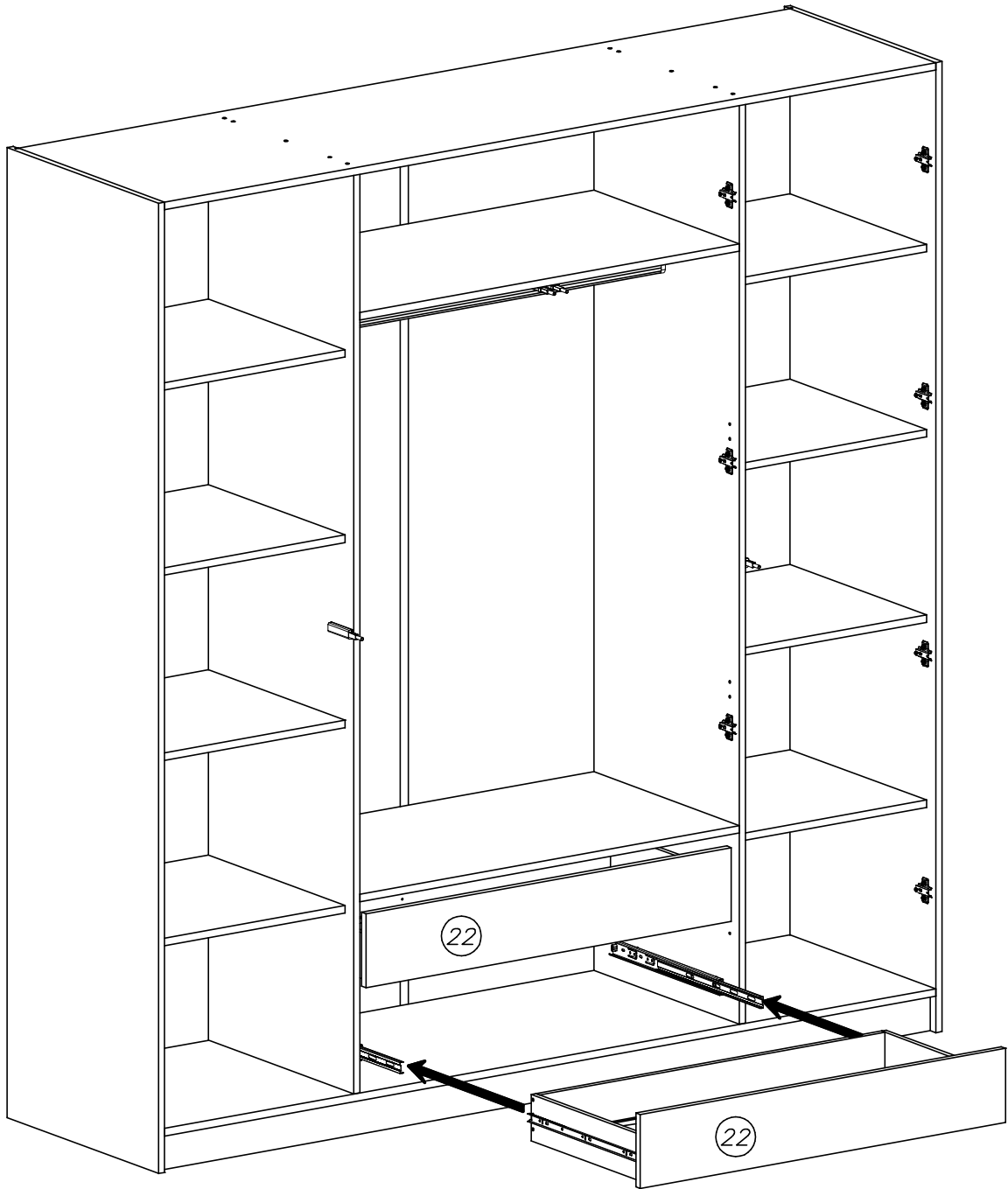
x2



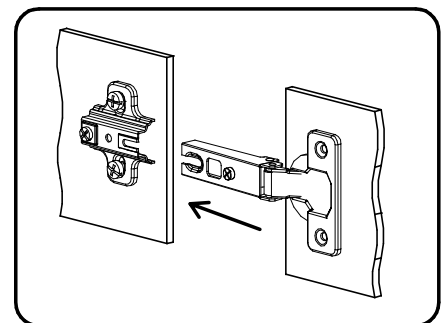
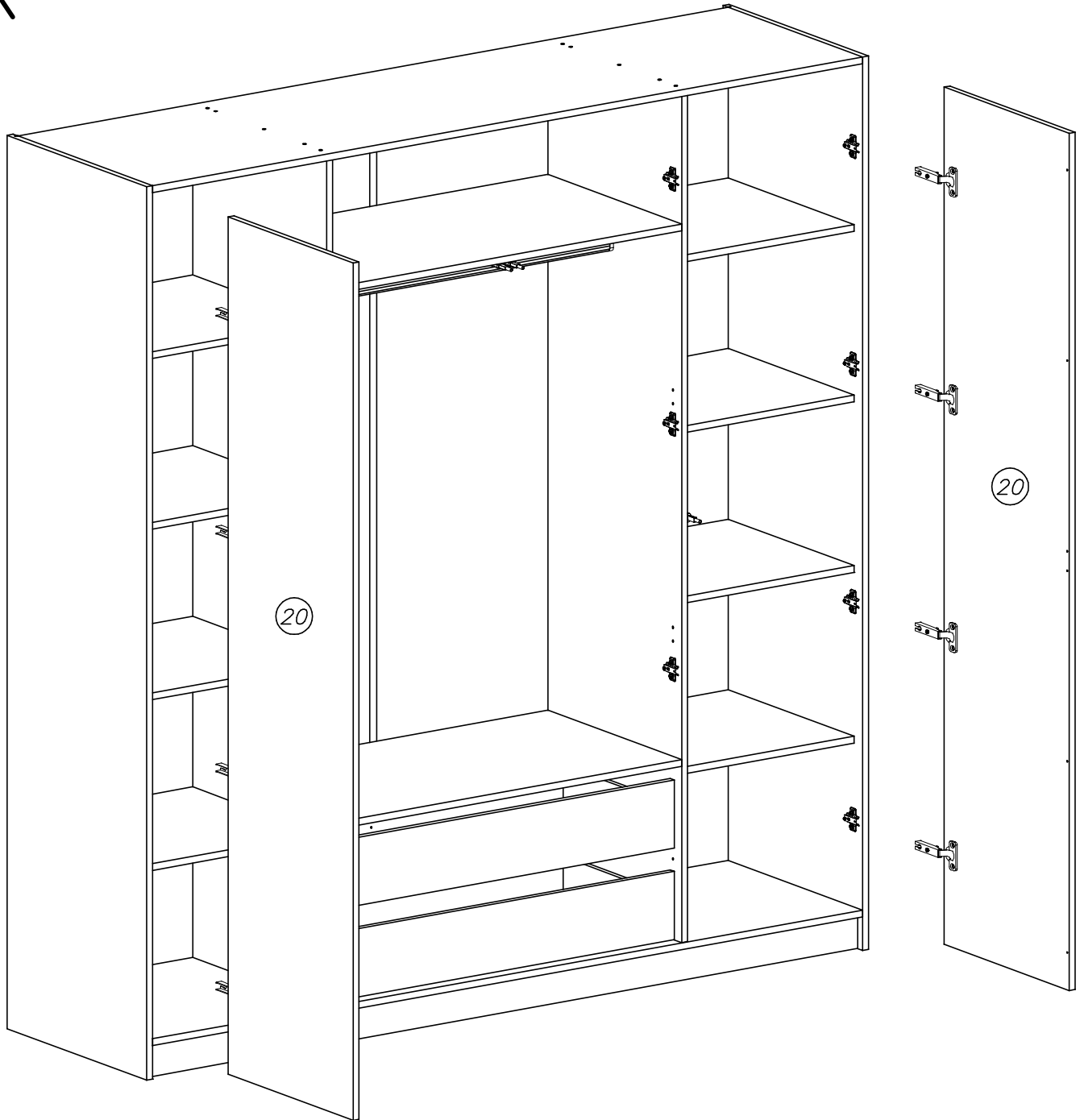
x2



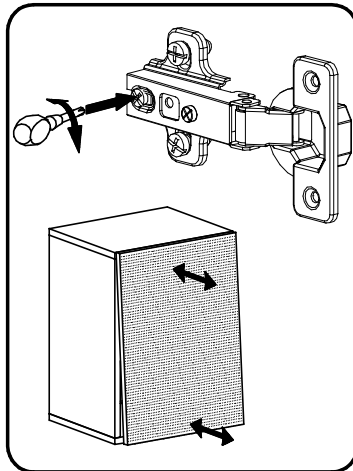
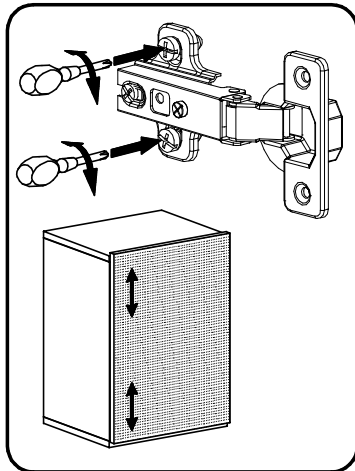
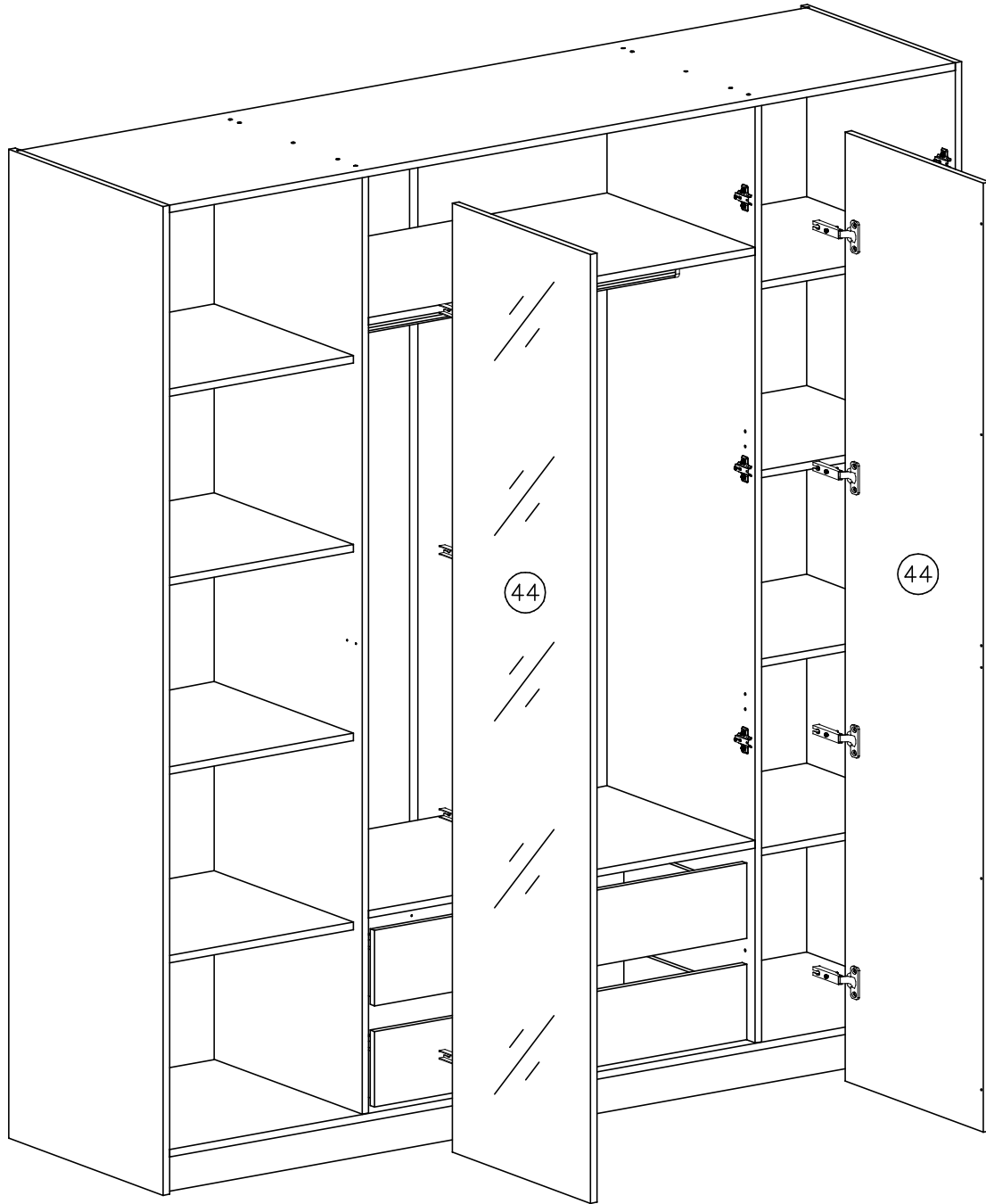
IX



X



X





Uwaga • Upozornění • Achtung • Attention • Caution • Figyelem
 Attenzione • Opgelet • Внимание • Atenție • Upozornenie • Dikkat

