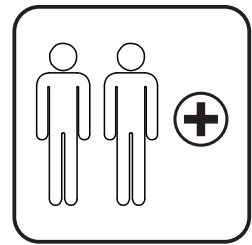
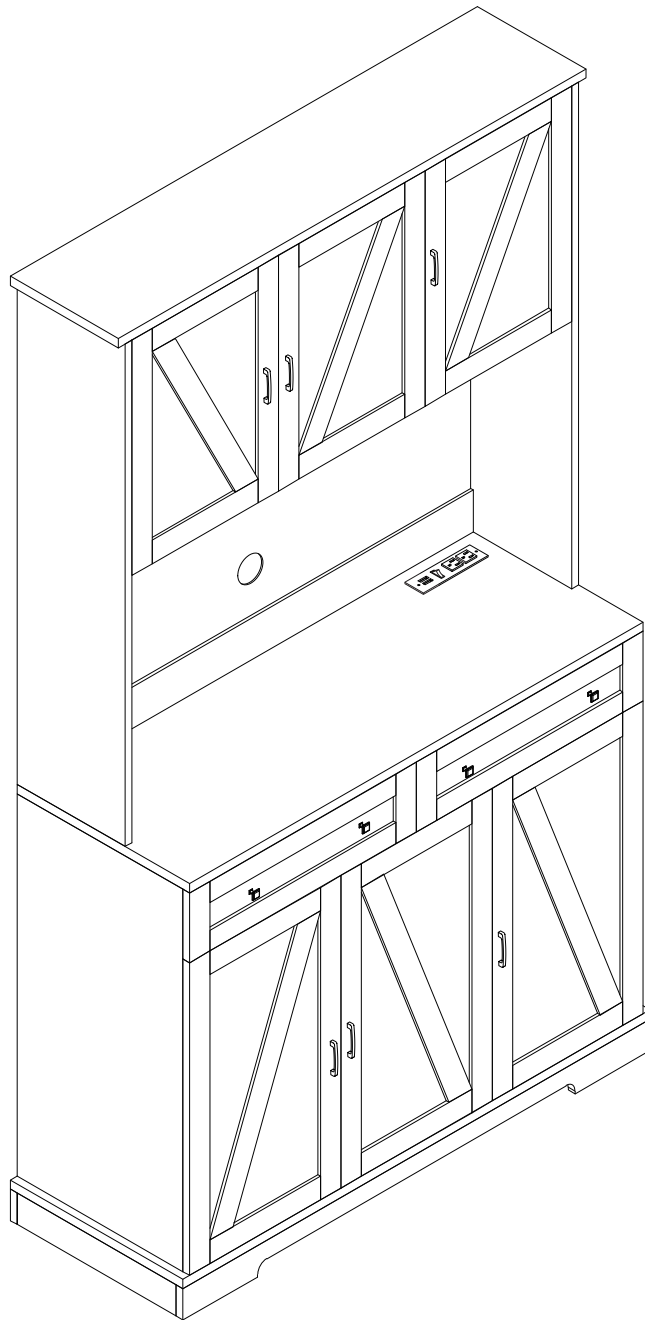


# INSTRUCTION MANUAL



Thank you for purchasing our product.

## **General Guidelines:**

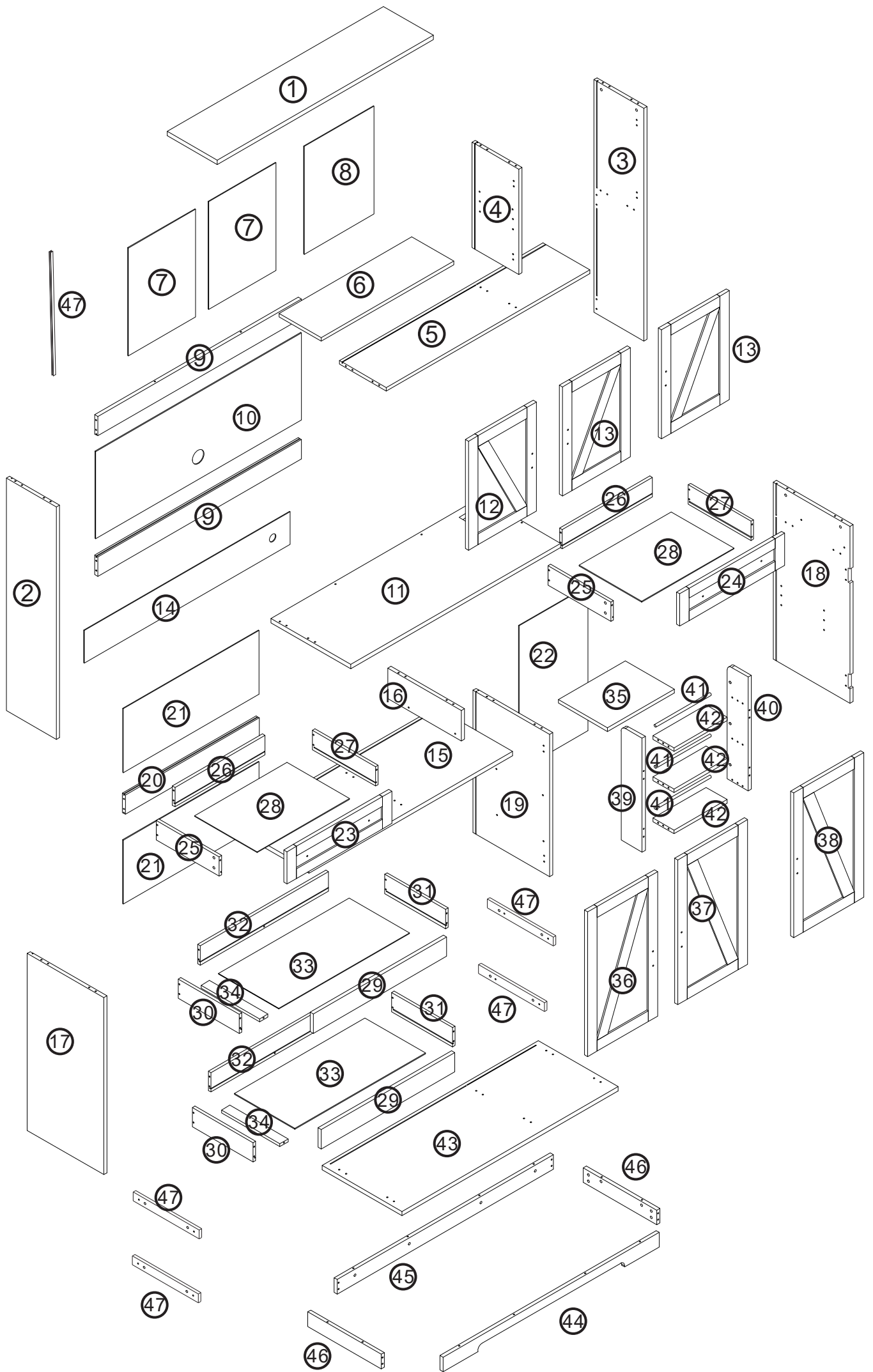
1. Please read the following instruction carefully and use the product accordingly.
2. Please keep this manual and hand it over when you transfer the product.
3. This summary may not include every detail of all variations and considered steps. Please contact us when further information and help are needed.

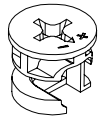
## **Notes:**

1. This item is only intended to be used indoors. Personal injury and/or damage to product may occur if products are used outside of their intended purposes and/or if products have been changed/modified from their original design. The product must be assembled and used in accordance with the provisions of the manual. The seller does not assume any responsibility or liability with respect to any damage caused by incorrect assembly or improper use.
2. It is recommended that assembly is undertaken by at least 2 adults. Please read assembly instructions before assembly and strictly adhere to each step outlined.
3. If there is/are defective and/or missing part/s after unpacking, please cease assembly immediately and get in contact with us.
4. Please assemble the item in a spacious room and do not place the unwrapped product directly on the ground to avoid damage. It is recommended to wear gloves during the assembly to avoid scratches from any sharp edges.
5. Please do not stand, sit or place heavy items on the wooden boards or other parts before assembly to avoid cracks or distortion of the wooden boards. Cracks or distortion will affect the assembly and normal use.
6. Please match the corresponding board and fitting based on the part number in the manual. If the board does not match with the fitting, please check the pieces as specified in this manual.
7. Please refer to the diagram during assembly. Align all screws with the related pre-drilled holes first and later tighten the screws one by one only after putting all the parts in their correct places.
8. Periodically inspect screw tightness while the product is in use. If necessary, retighten to ensure structural integrity.
9. Do not expose product to direct sunlight exposure or rain; and do not put it in a humid place. Failure to do so may accelerate the distortion, discoloration or cause fissures. Never touch with sharp objects or corrosive chemicals, which may damage the surface of the item.
10. For daily care, please clean with a damp cloth then immediately wipe dry.

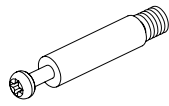
## **Warnings:**

1. It is strictly prohibited to sit or stand on the product.
2. Please put this item on a flat ground.
3. Don't use an electric drill to assemble this item.
4. It is not intended for use by children under 3 years of age. Children must be under adult supervision to use the product.
5. It is forbidden children to climb or play on the product to avoid serious body injury caused by the toppling.
6. During the assembly process, keep any small parts out of the reach of children. It may be fatal if swallowed or inhaled.
7. To avoid the potential dangers of suffocation, please keep all parts and packaging (films, plastic bags and foam, etc.) away from babies and children.

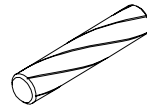




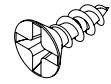
Ax86



Bx86



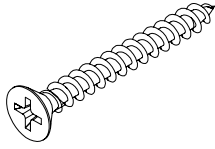
Cx62



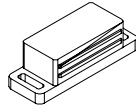
Dx85

M3x14

M4x35

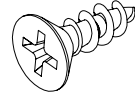


Ex32

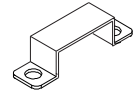


Fx4

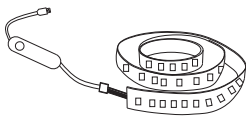
M4x14



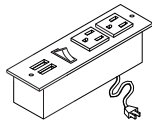
Gx60



Hx3

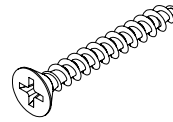


Ix1

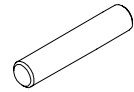


Jx1

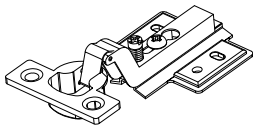
M4x25



Kx8

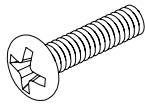


Lx8



Mx10

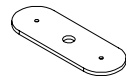
M4x20



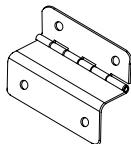
Nx12



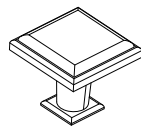
Ox6



Px1

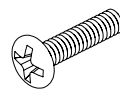


Qx2



Rx4

M4x10



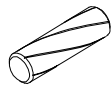
Sx4



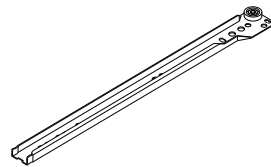
Tx28



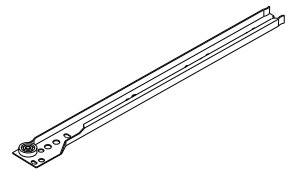
Ux2



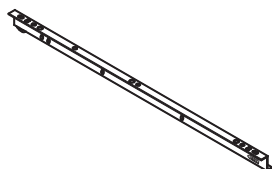
Vx8



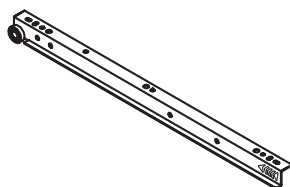
CLx4



CRx4



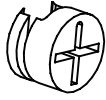
DLx4



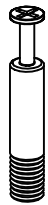
DRx4

# How to use furniture connector cam lock screw and fitting?

Eccentric wheel(A)

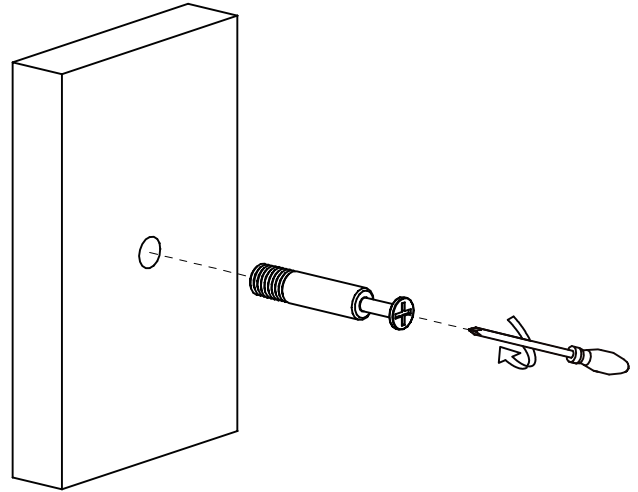


Dowel(B)



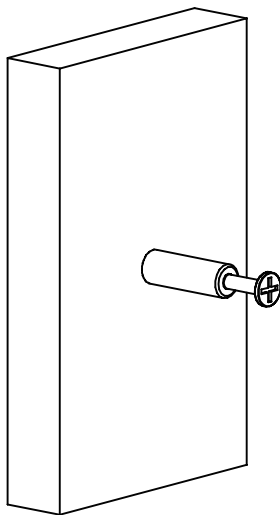
1

Use screwdriver to attach  
dowel into pre-inserted nut



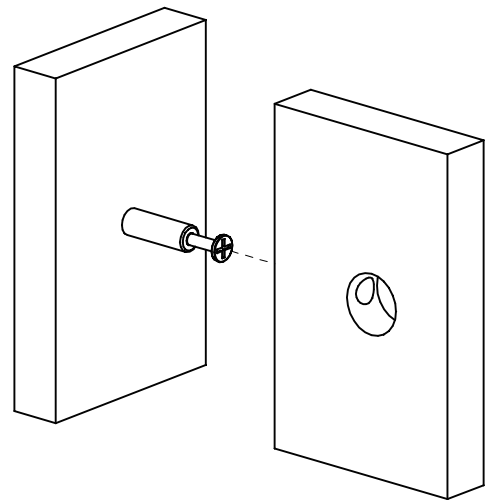
2

Step 1 completed



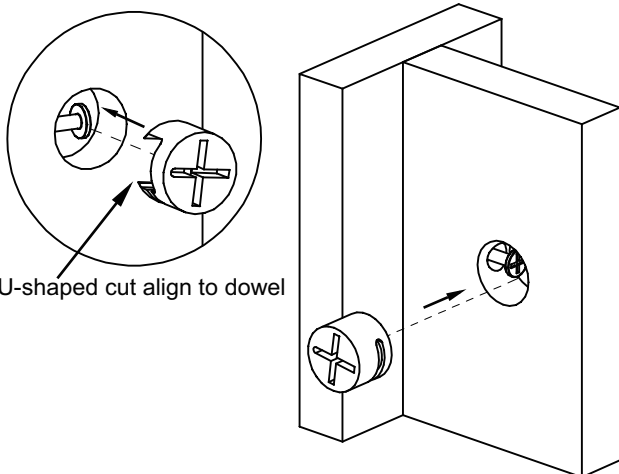
3

Attach dowel into hole on fitting board



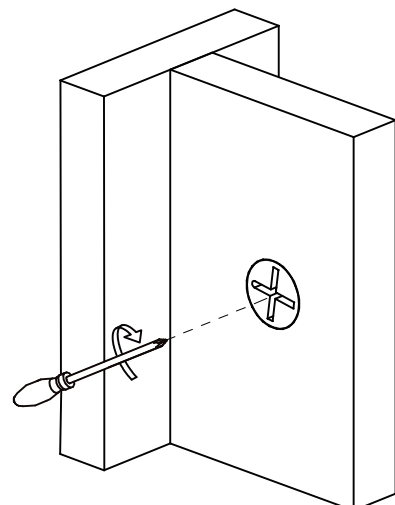
4

Put eccentric wheel (cam lock fitting) into hole



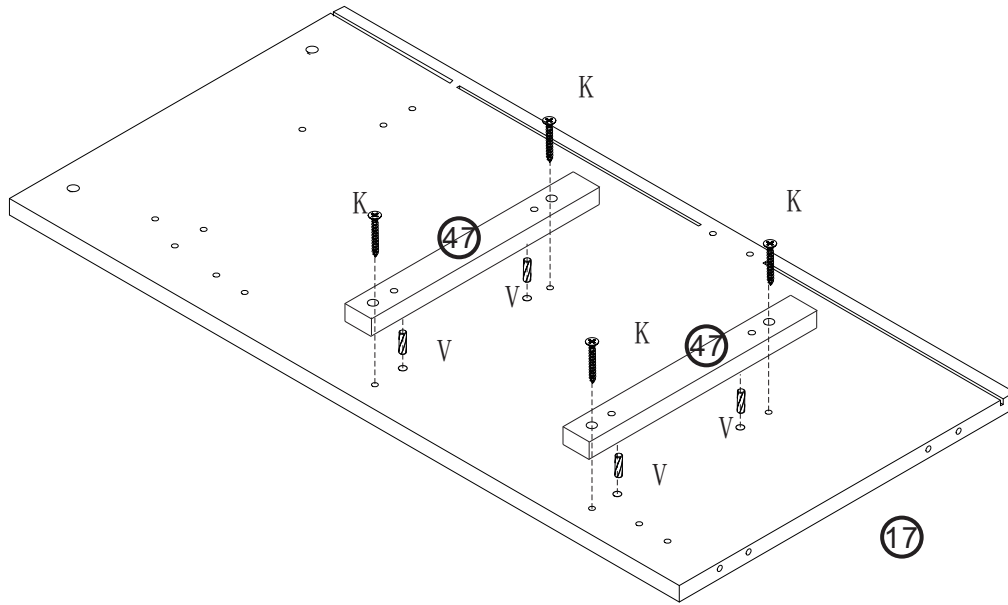
5

Tighten: Turn the eccentric wheel clockwise  
Loosen: Turn it anticlockwise






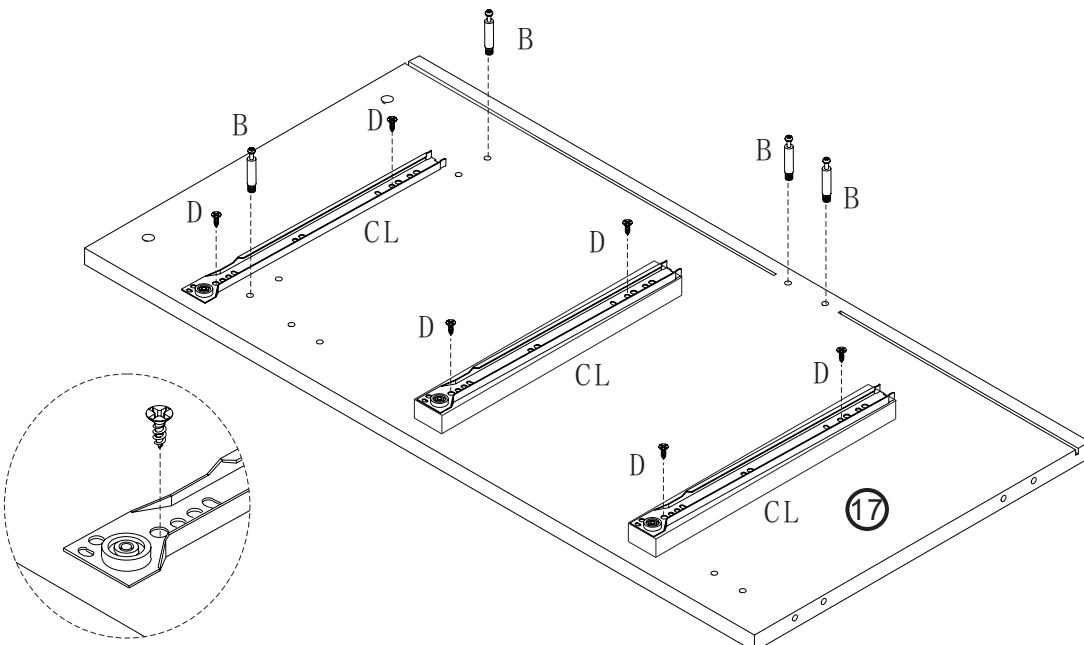
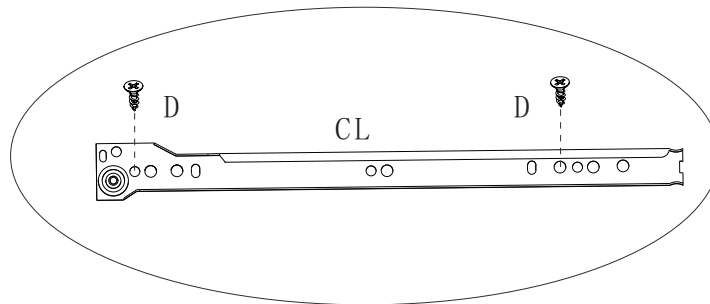
# Step 1

	Kx4
	Vx4






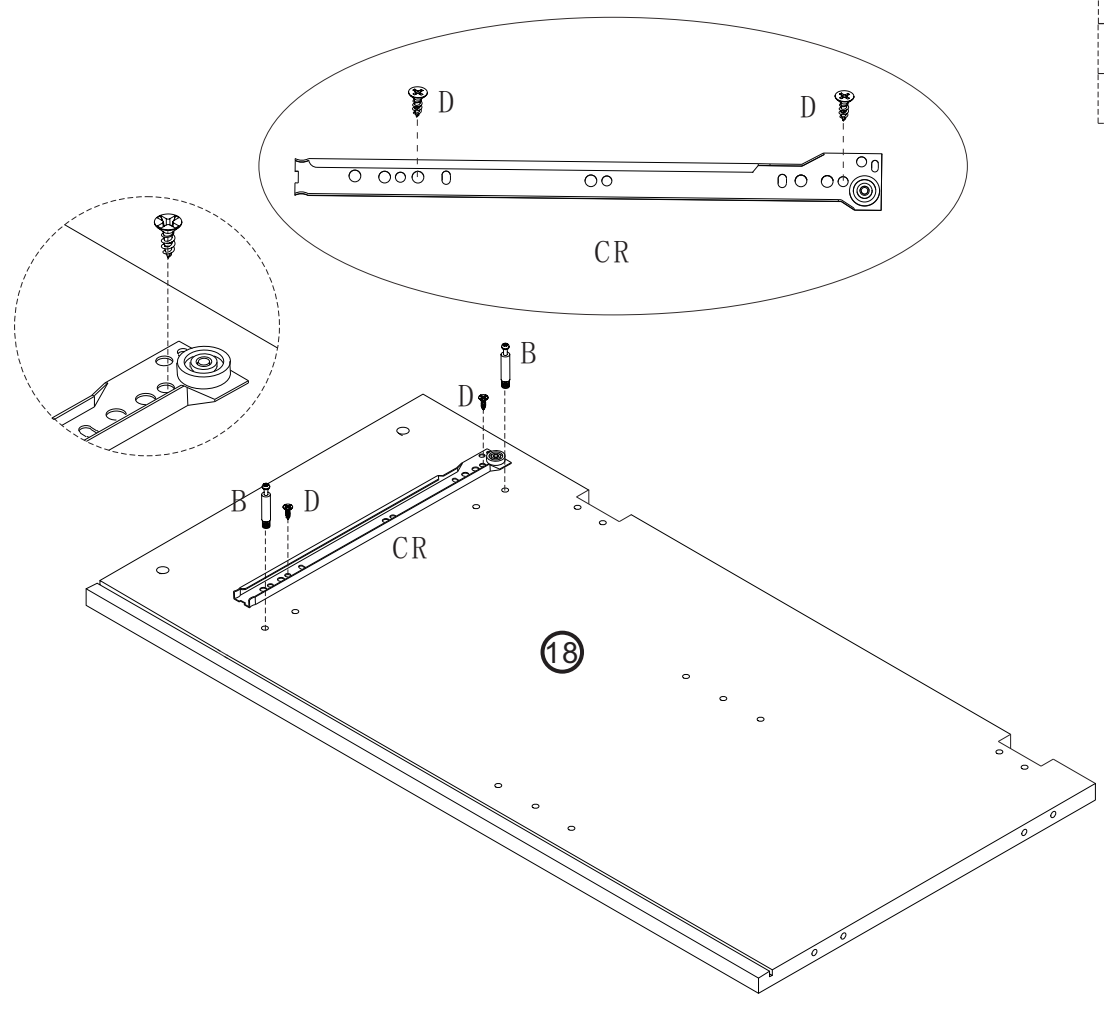
# Step 2

	Bx4
	Dx6
	CLx3






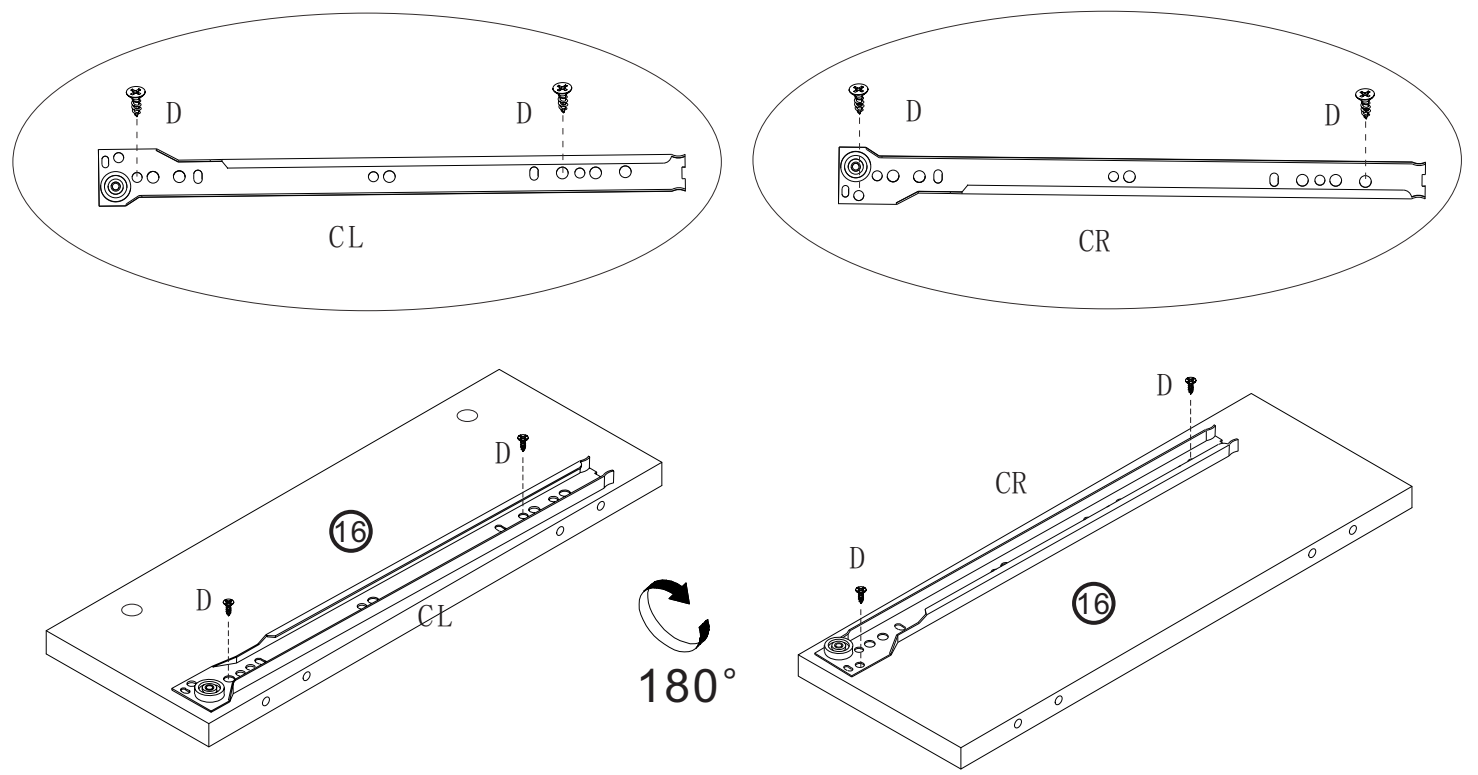
# Step 3

	Bx2
	Dx2
	CRx1



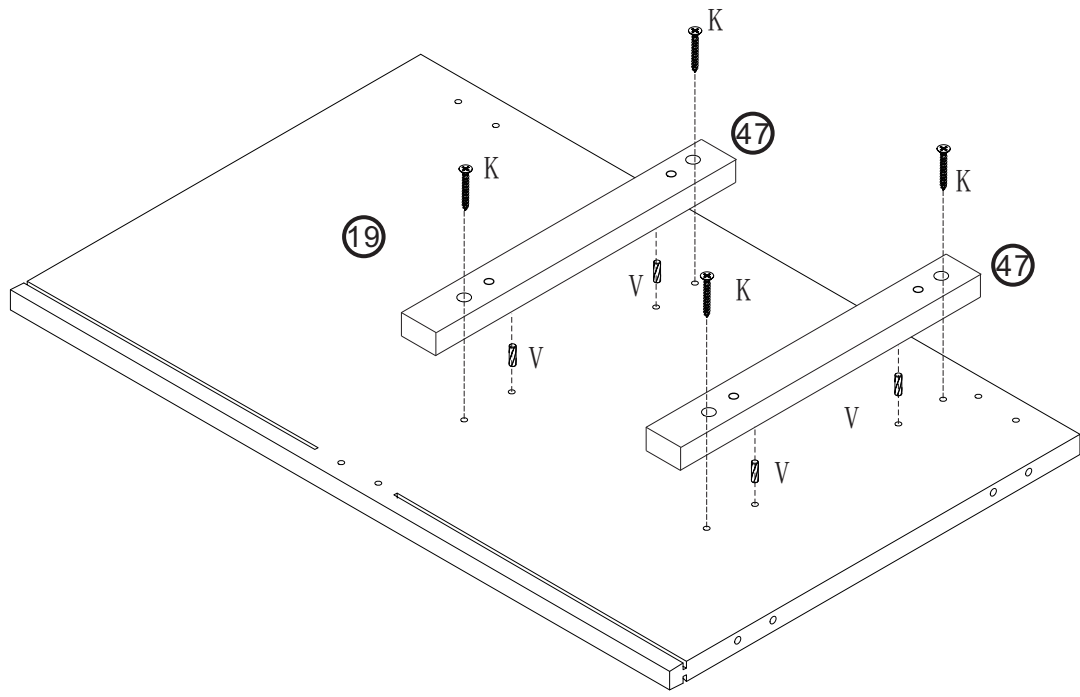
# Step 4

	Dx4
	CLx1
	CRx1






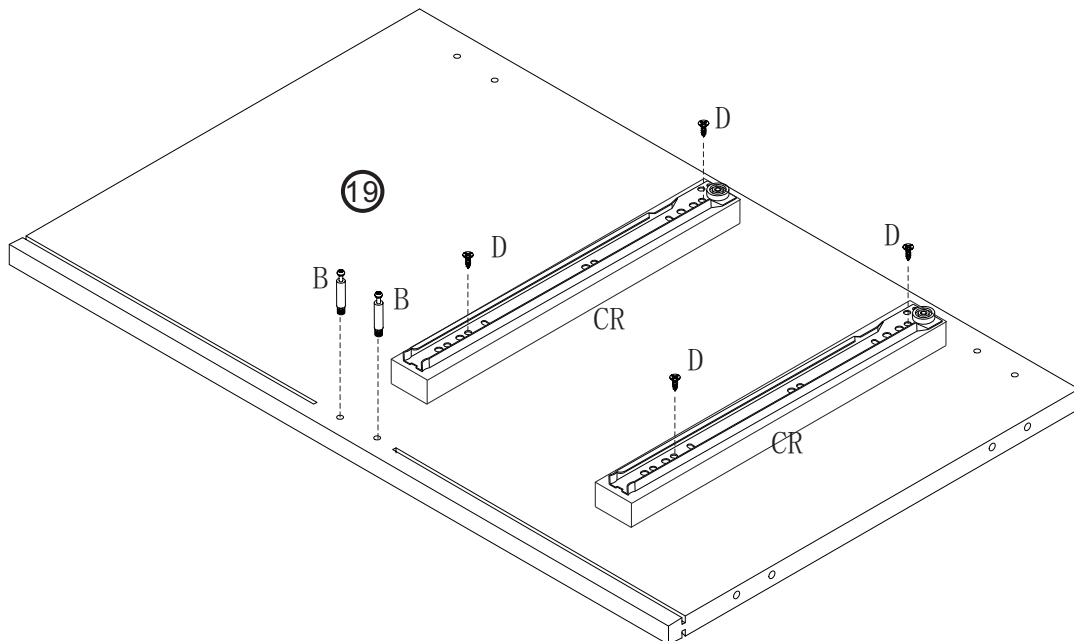
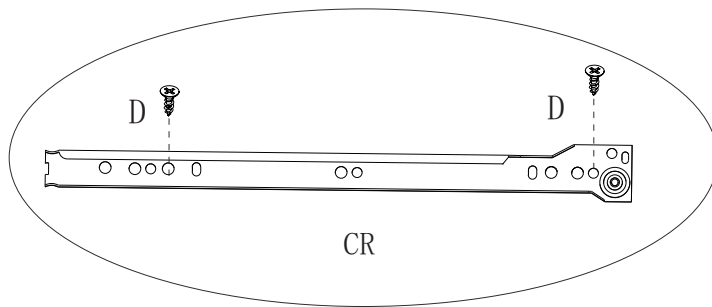
# Step 5

	Kx4
	Vx4






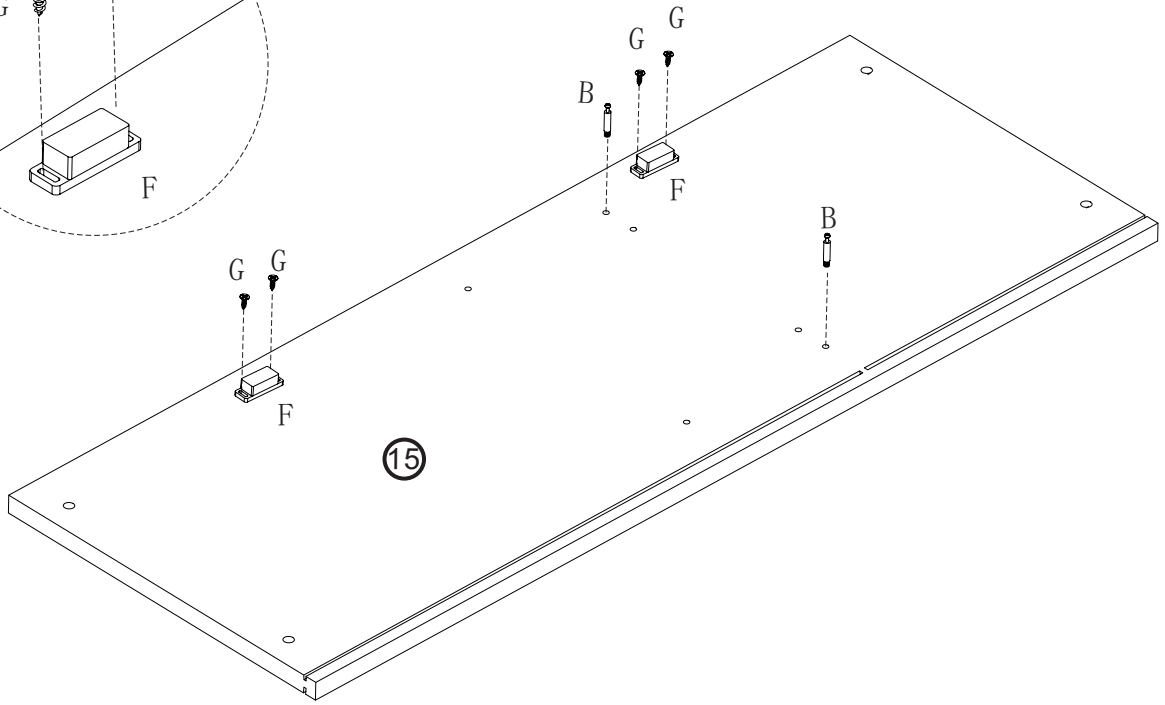
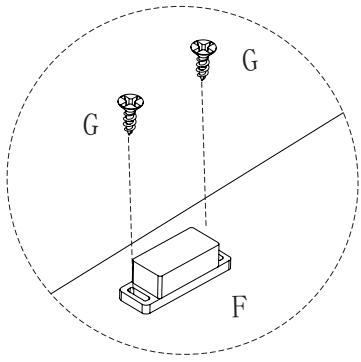
# Step 6

	Bx2
	Dx4
	CRx2



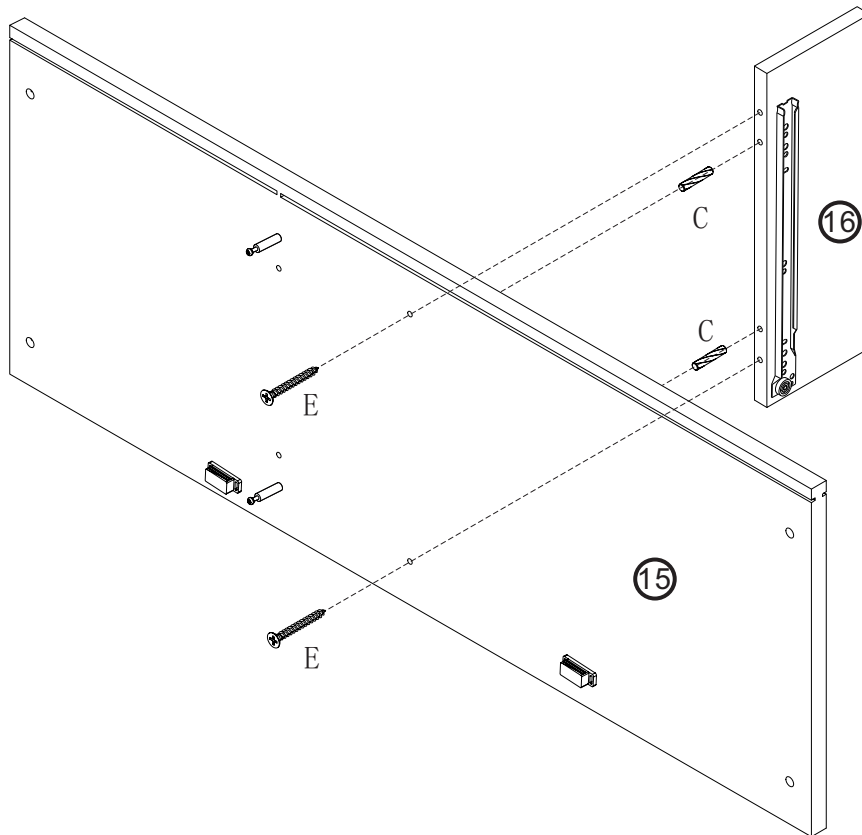
# Step 7

	Bx2
	Fx2
	Gx4



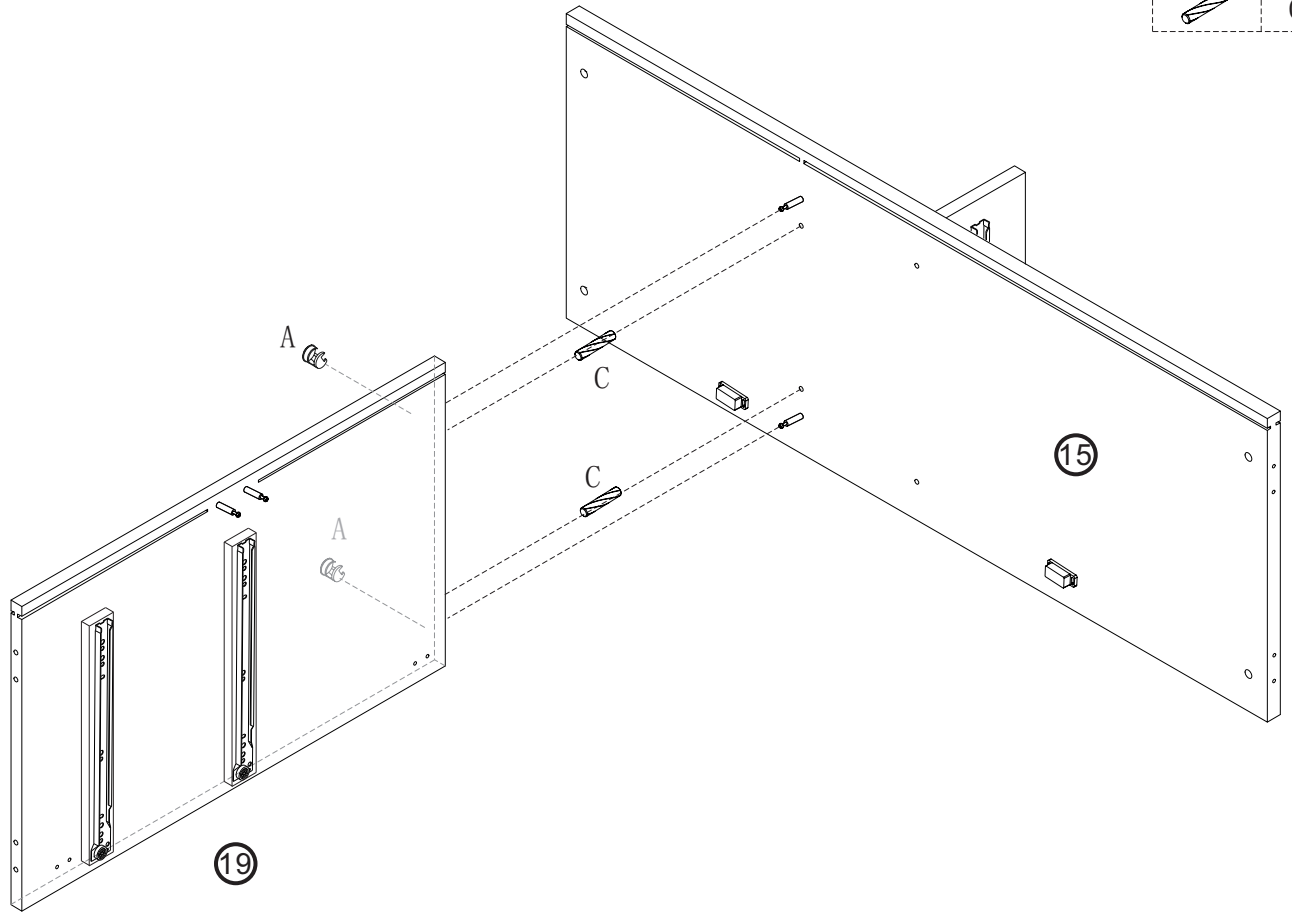
# Step 8

	Cx2
	Ex2



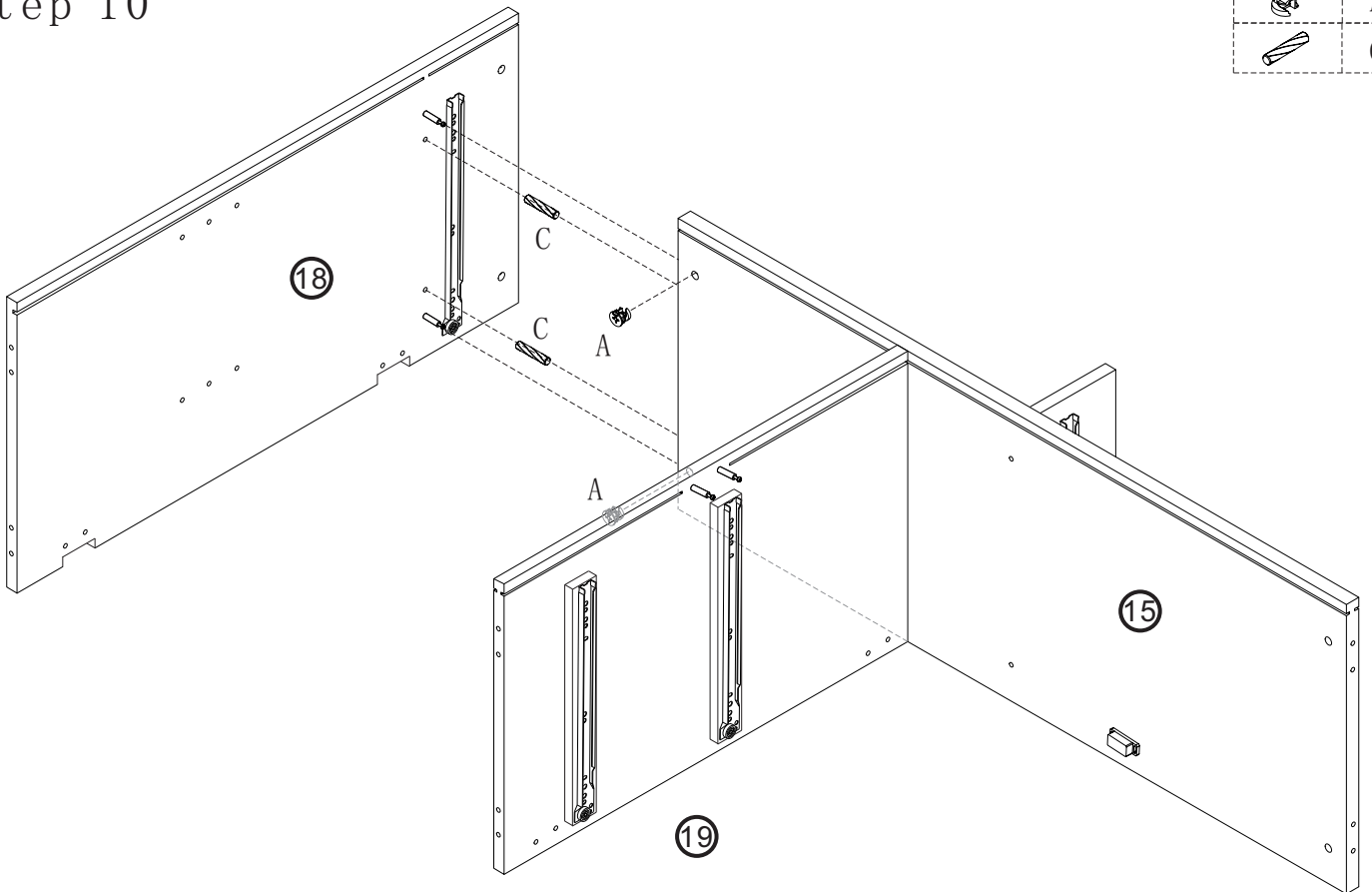
# Step 9

	Ax2
	Cx2



# Step 10

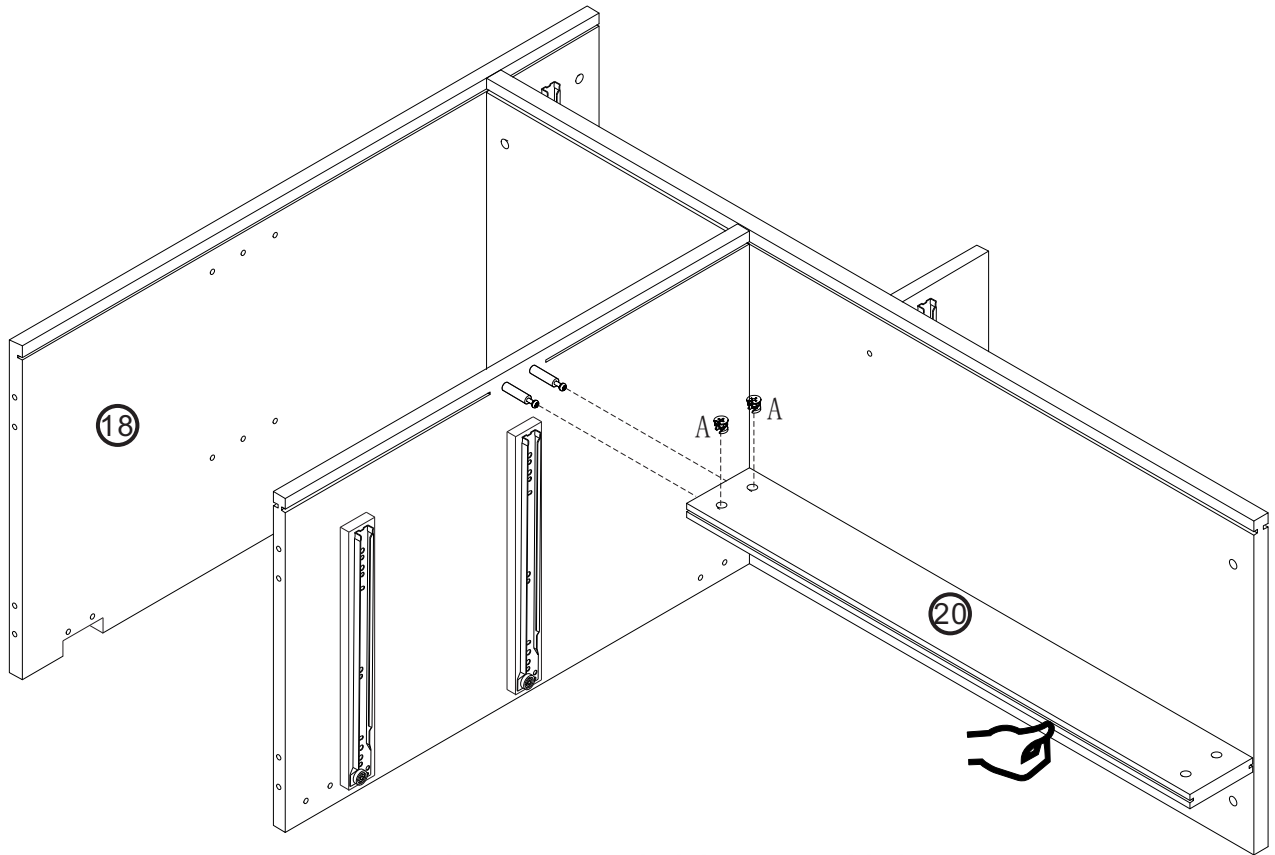
	Ax2
	Cx2



# Step 11

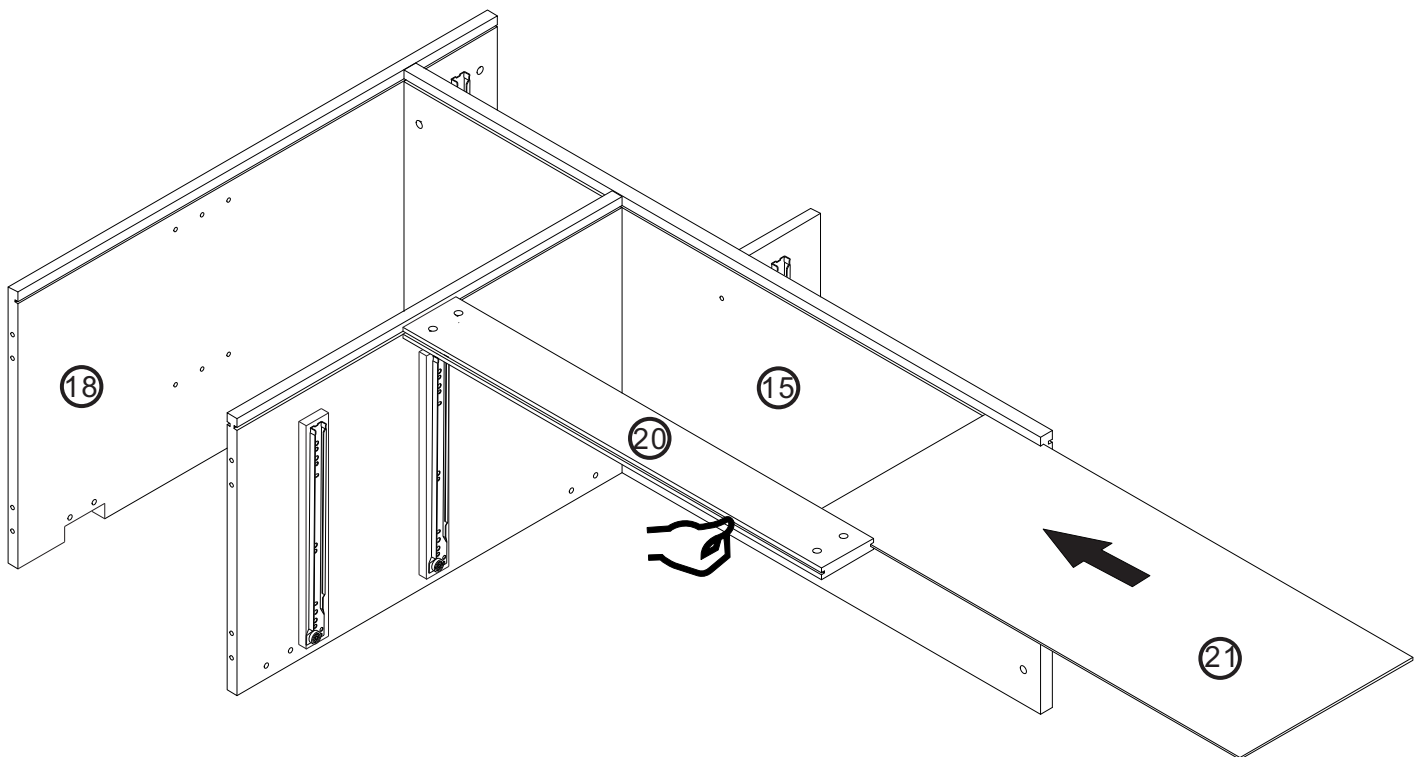


Ax2



It is recommended that assembly is undertaken by at least 2 adults. Be careful to support the wooden board.

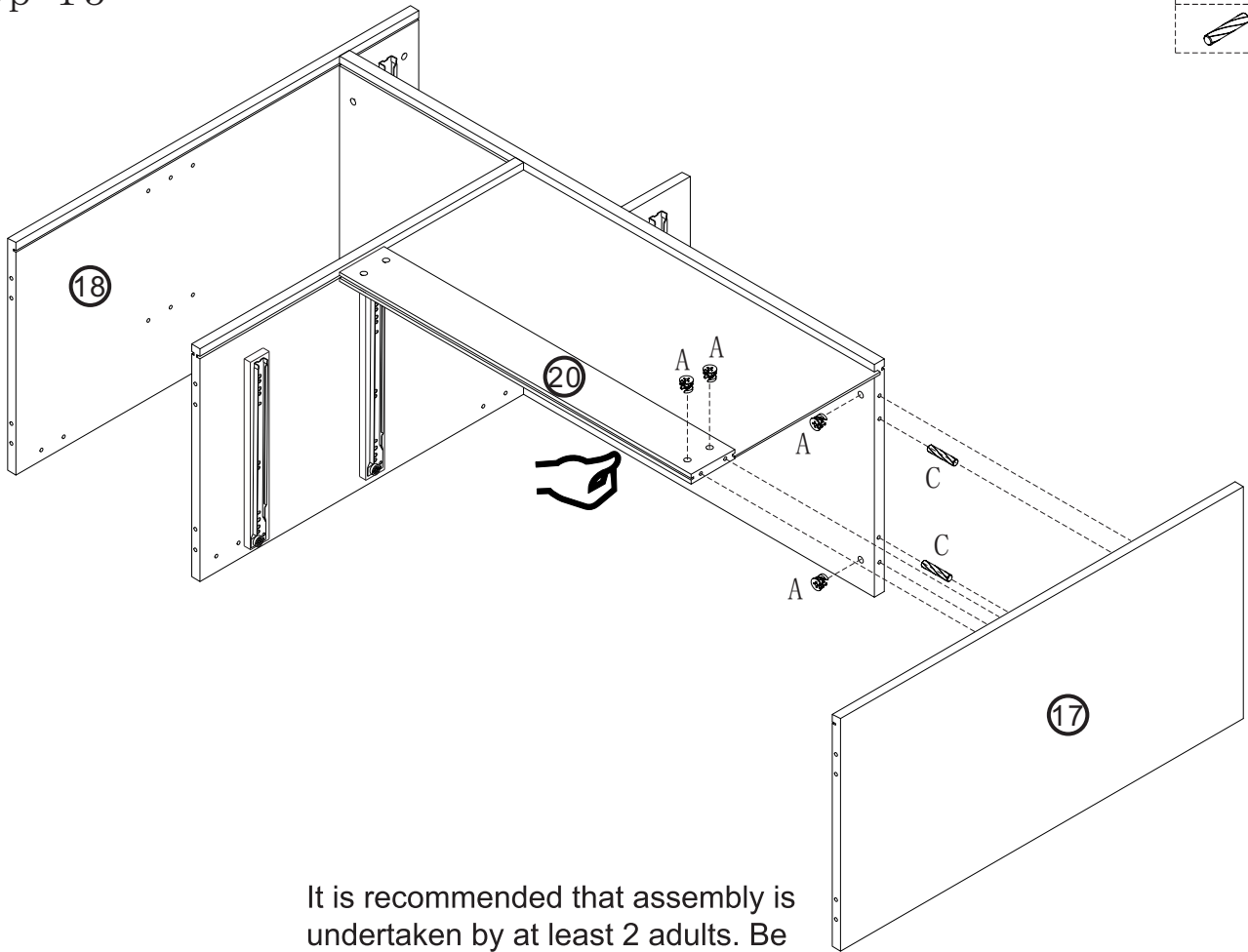
# Step 12



It is recommended that assembly is undertaken by at least 2 adults. Be careful to support the wooden board.

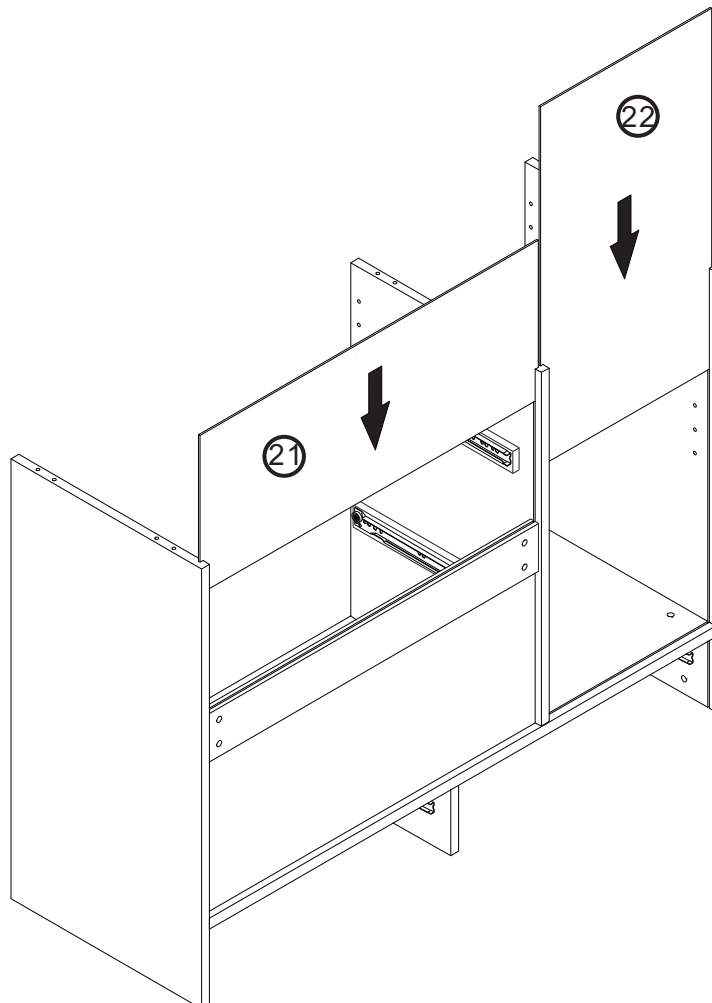
## Step 13

	A x 4
	C x 2



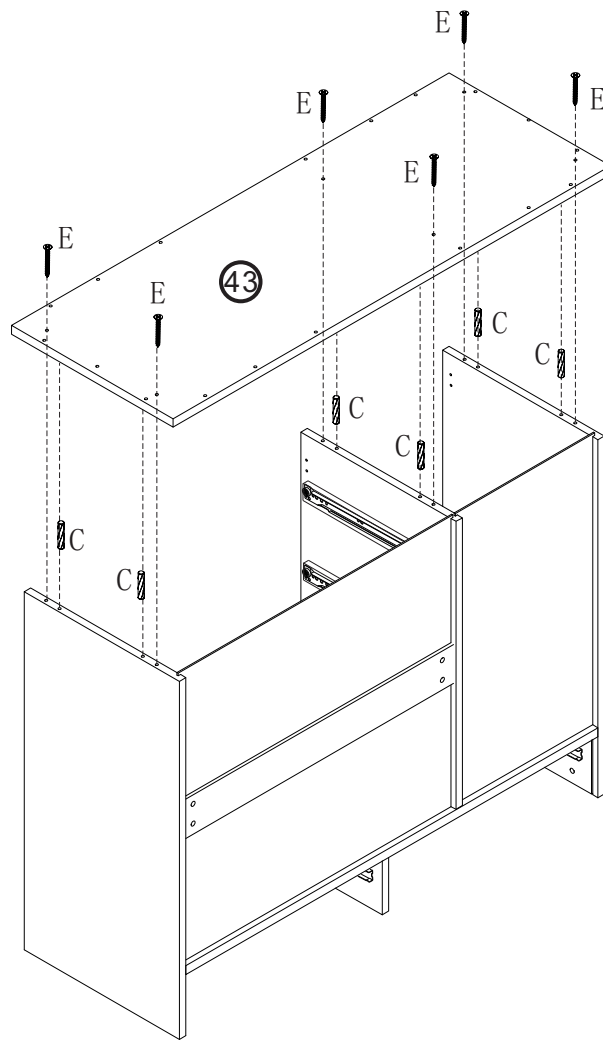
It is recommended that assembly is undertaken by at least 2 adults. Be careful to support the wooden board.

## Step 14



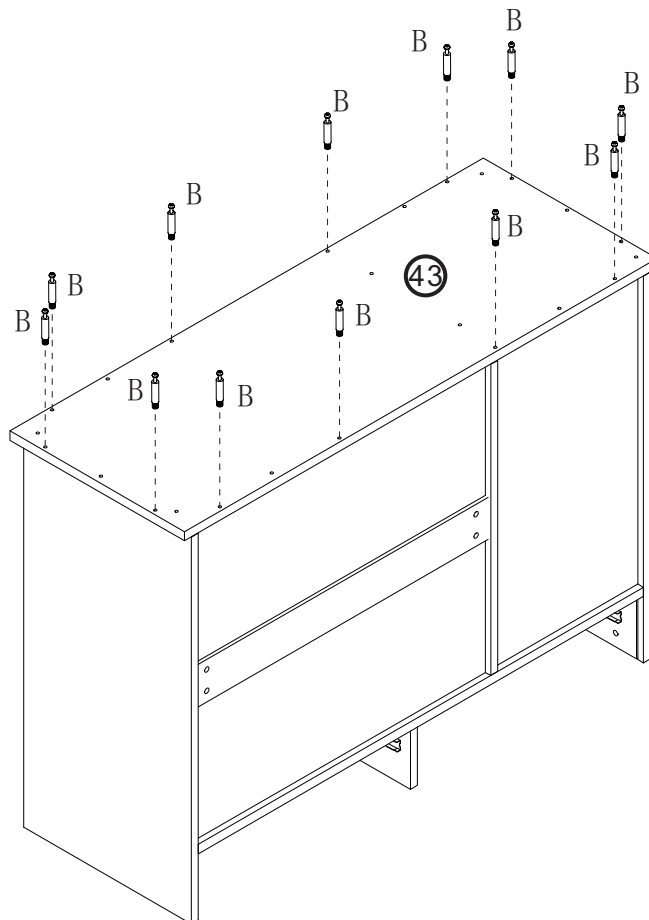
# Step 15

	Cx6
	Ex6



# Step 16

	Bx12
---	------



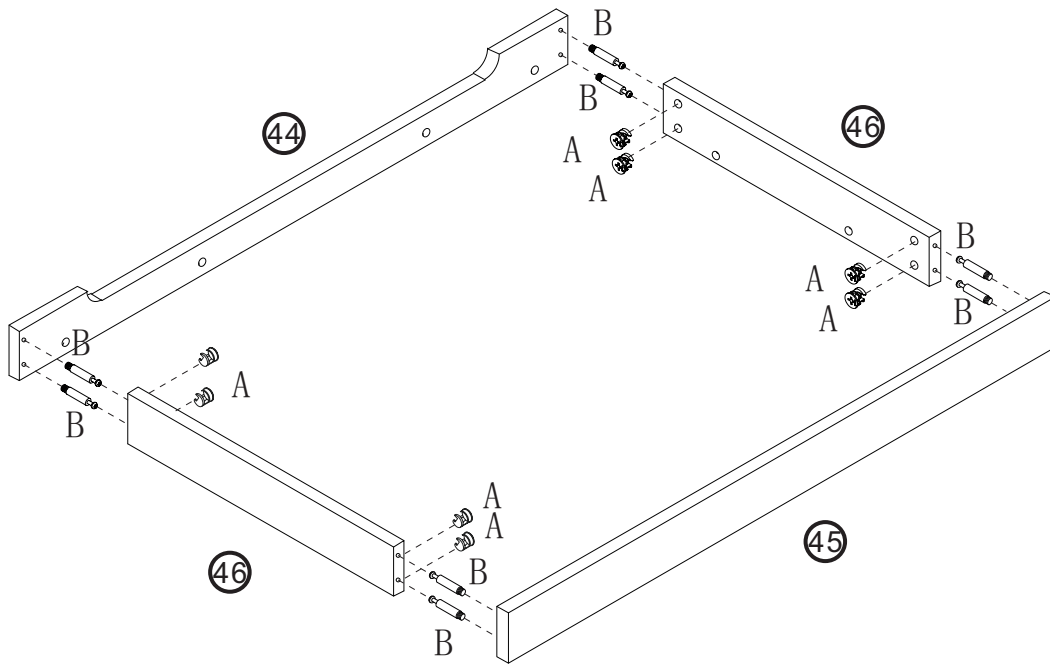
# Step 17



A x 8



B x 8



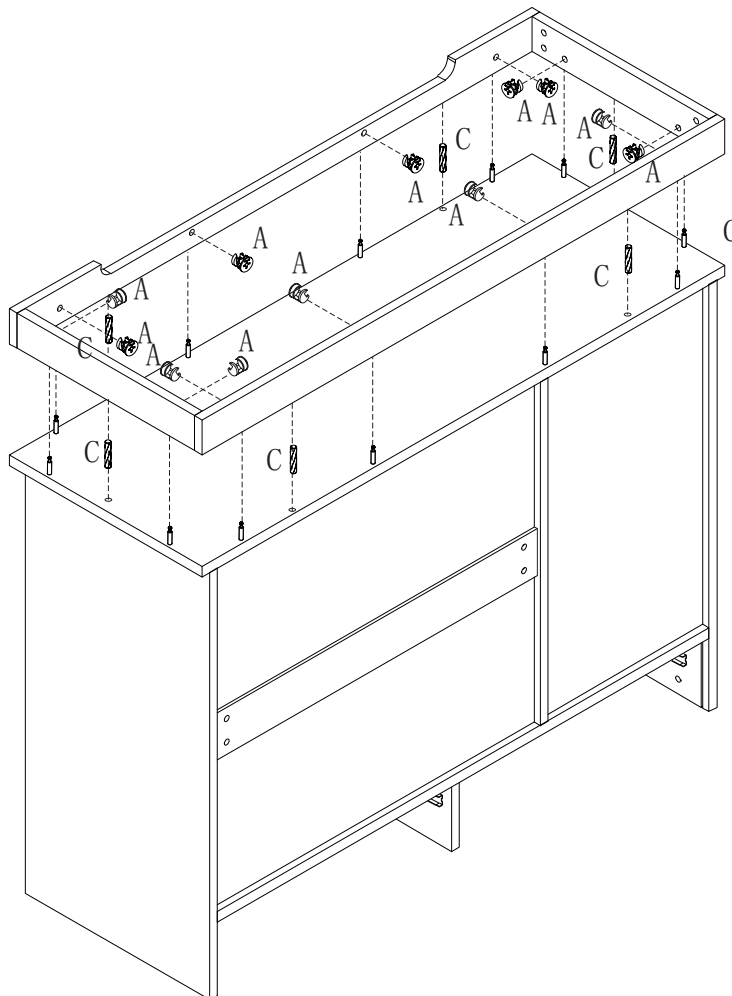
# Step 18



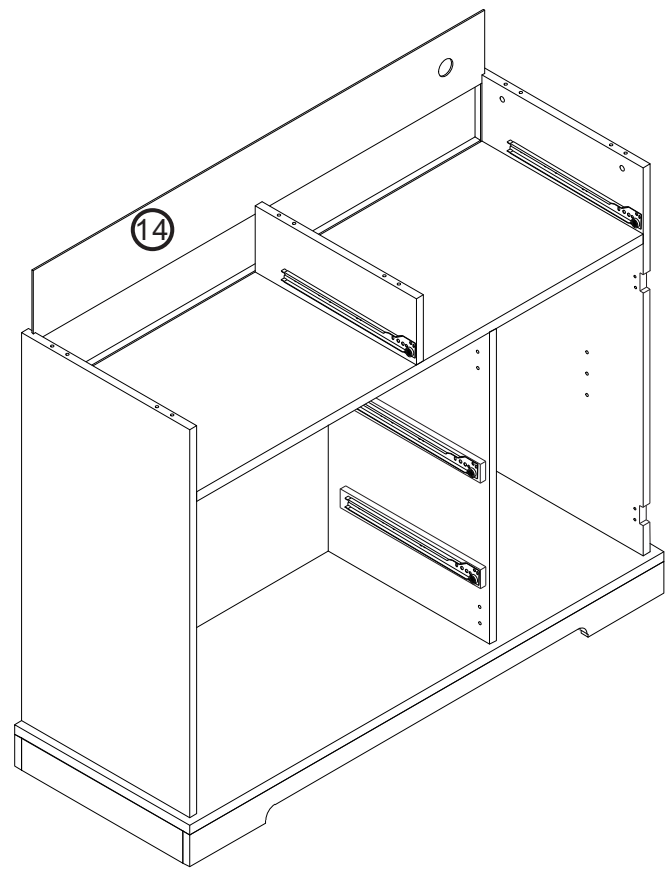
A x 12



C x 6

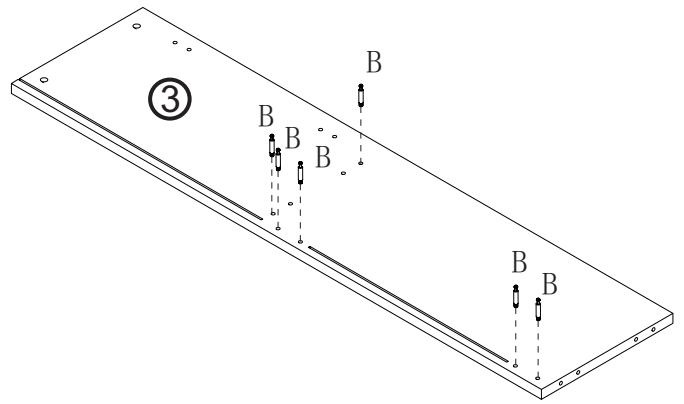
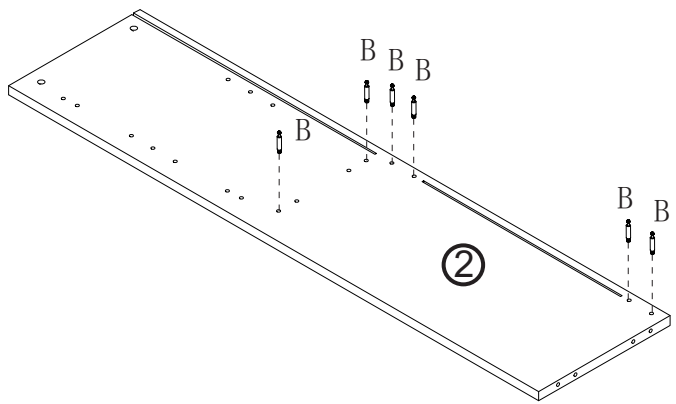


# Step 19







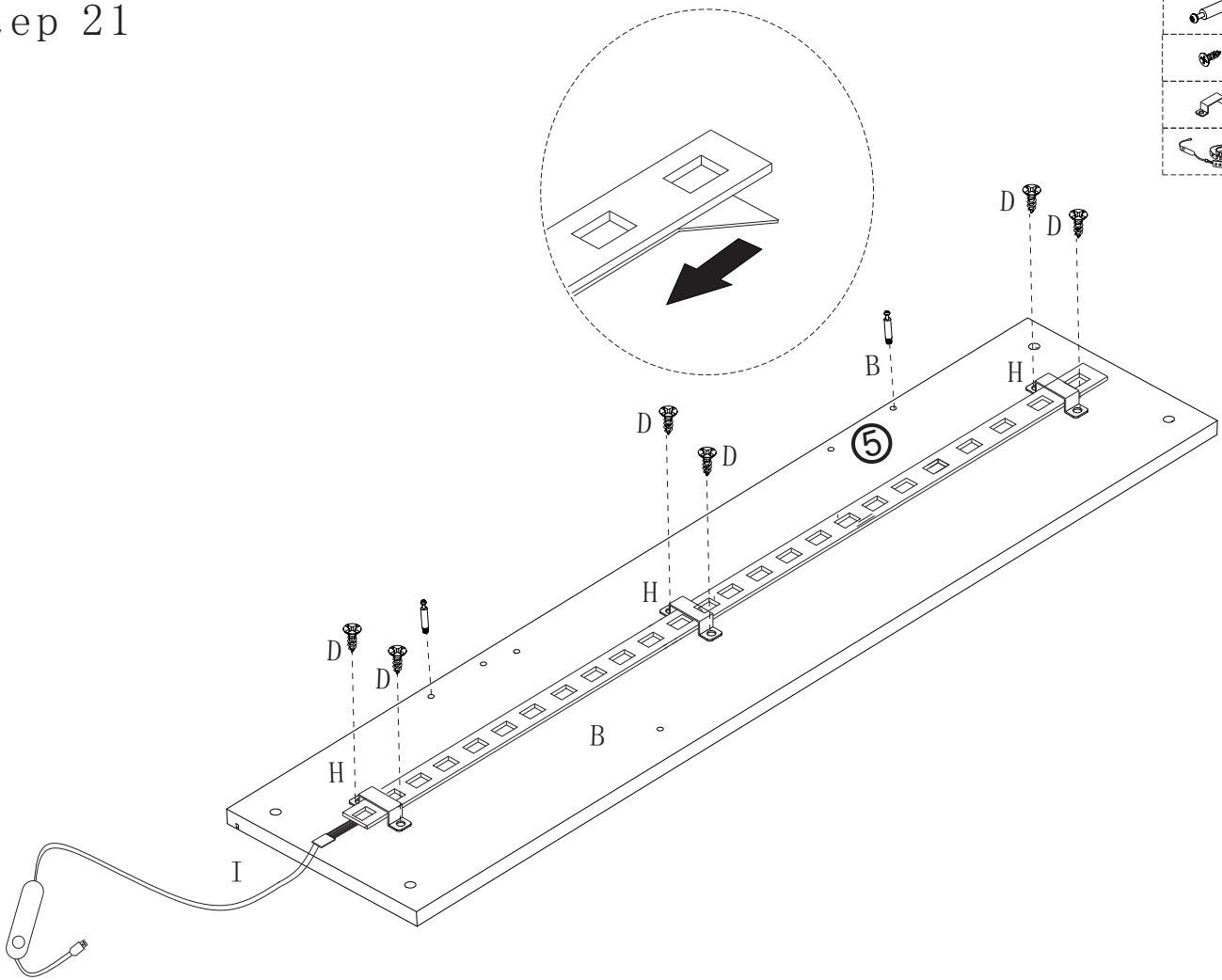
# Step 20

 Bx12



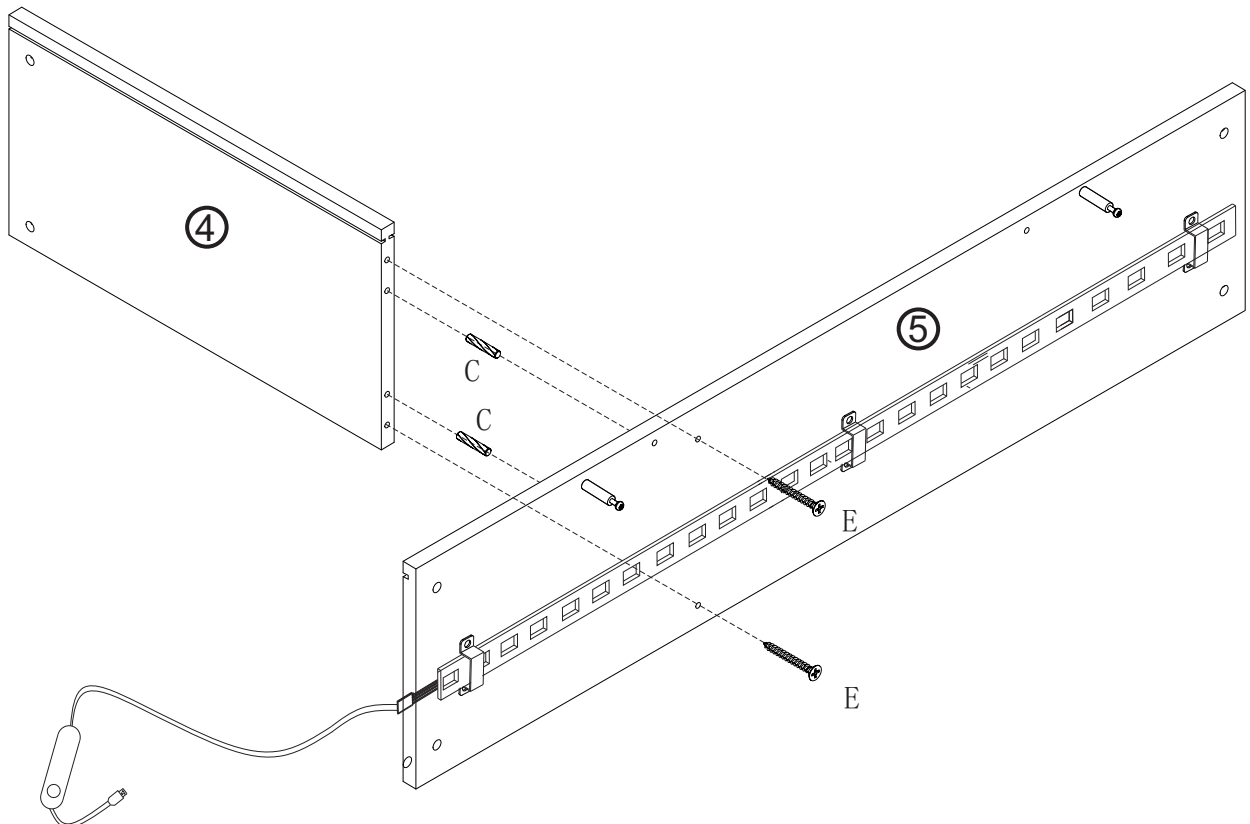
# Step 21

	Bx2
	Dx6
	Hx3
	Ix1





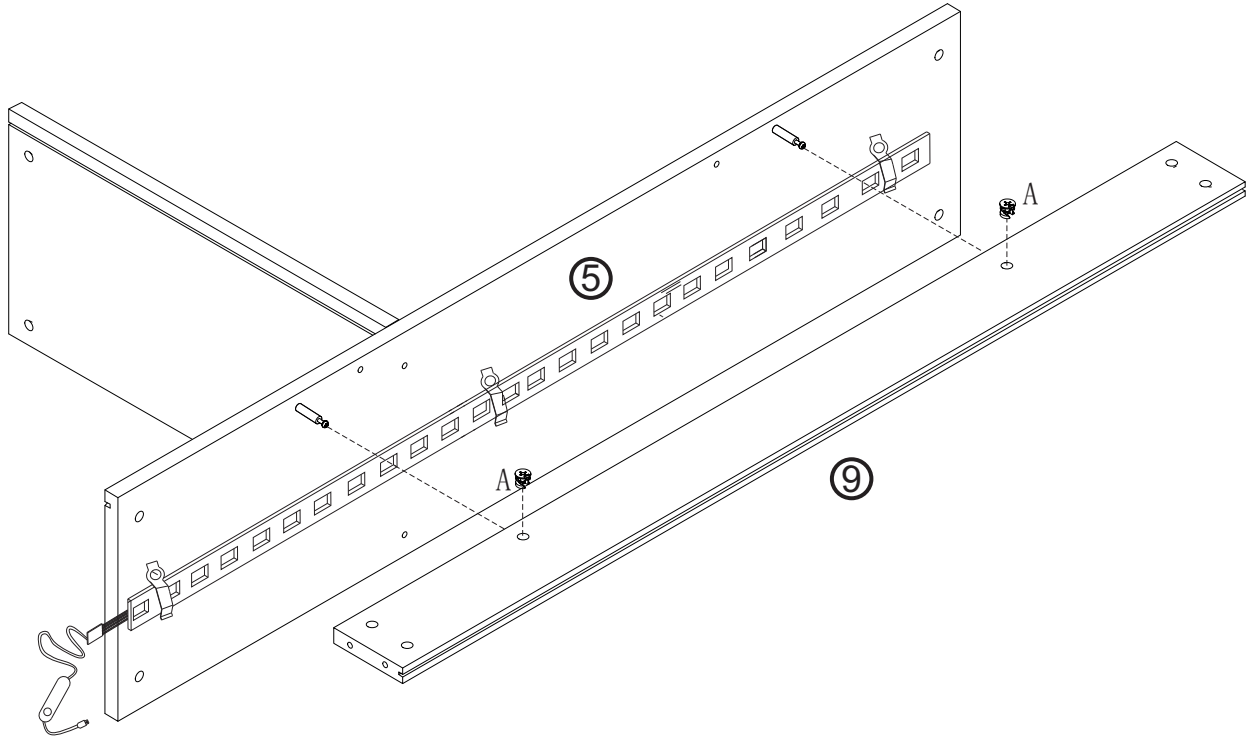
# Step 22

	Cx2
	Ex2





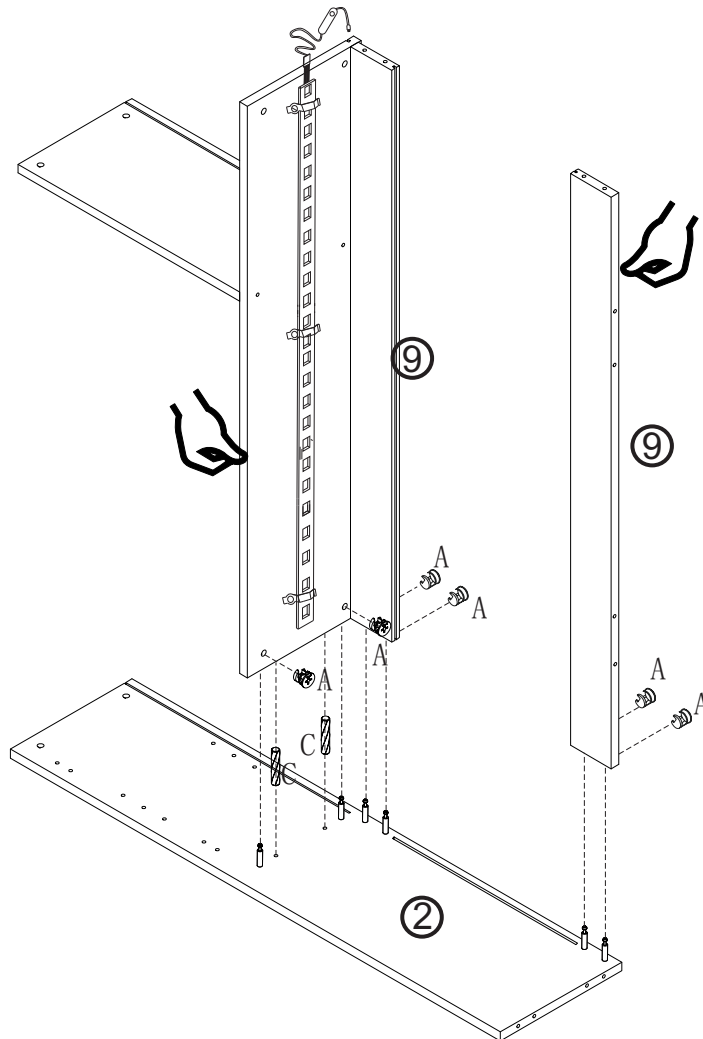
# Step 23

	Ax2
	Cx2

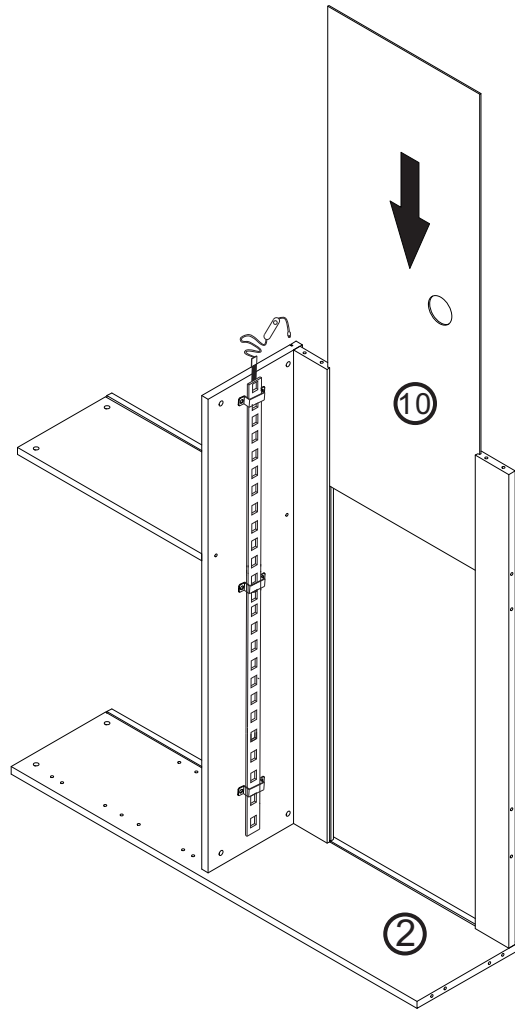


# Step 24

	Ax6
	Cx2

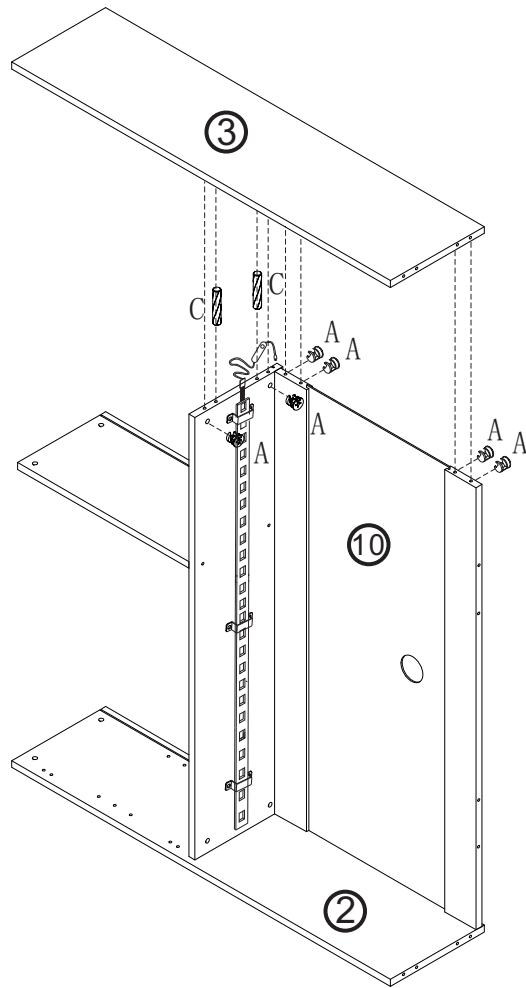


# Step 25







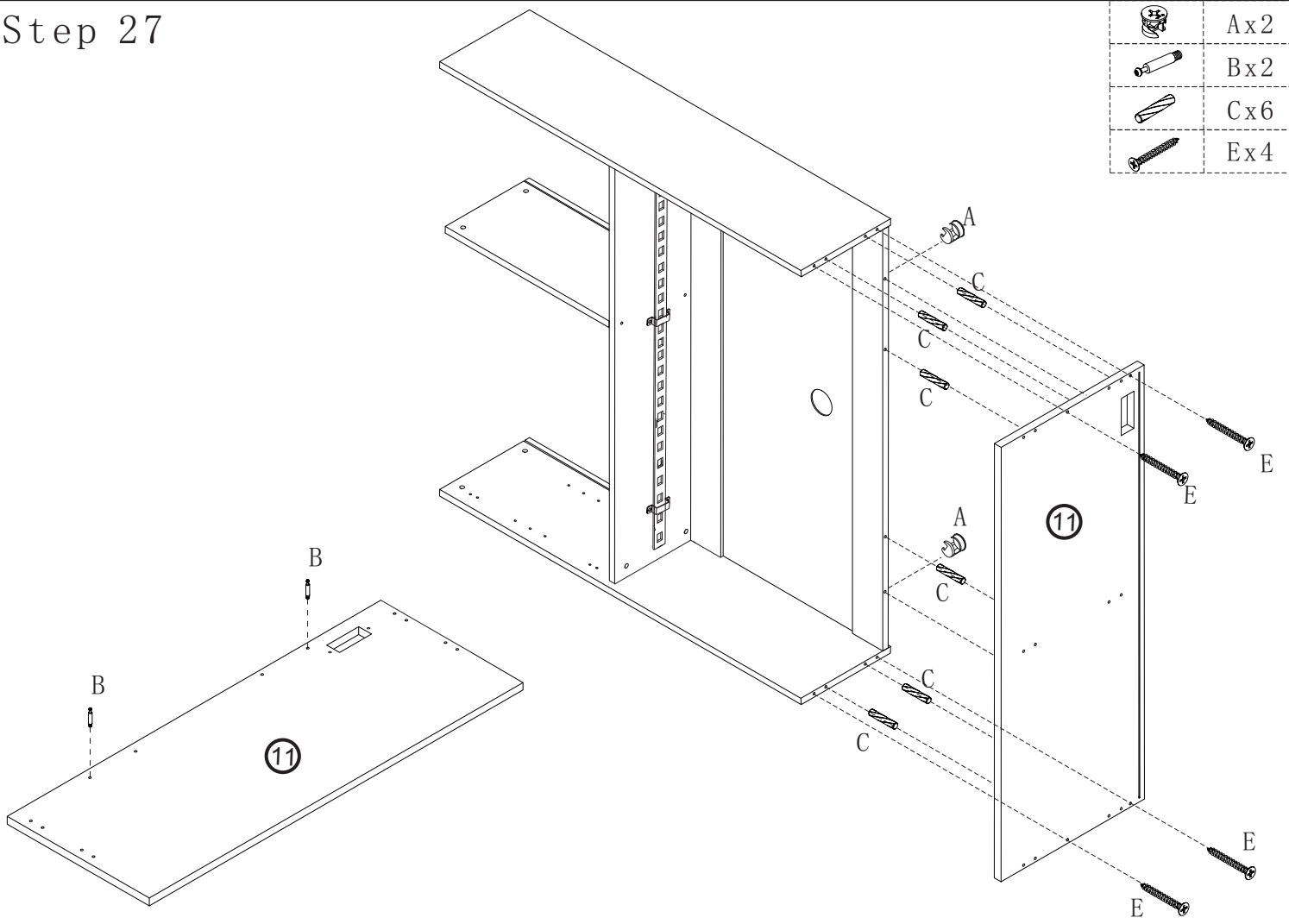
# Step 26

	Ax6
	Cx2

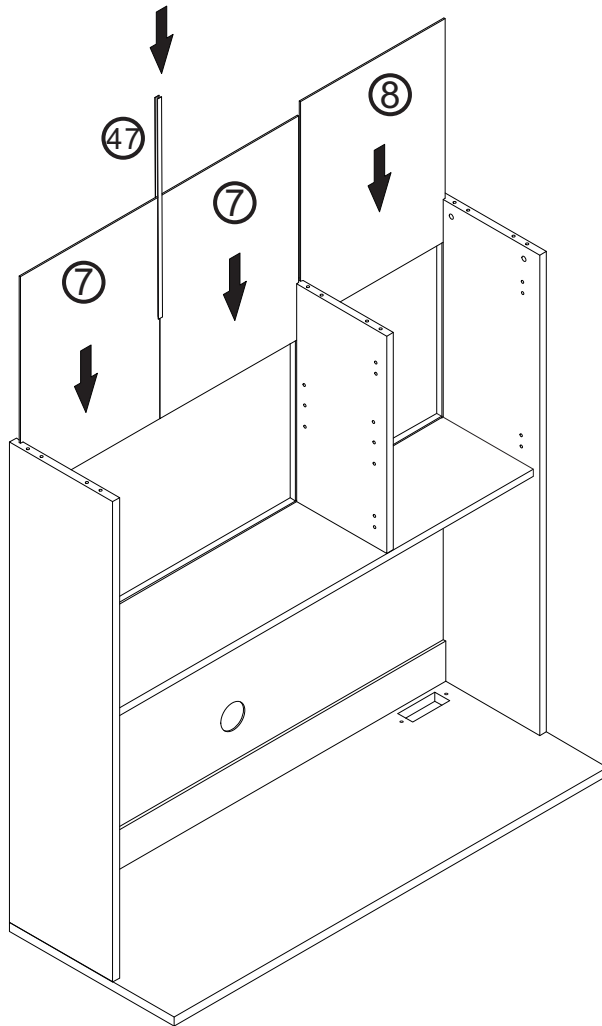


# Step 27

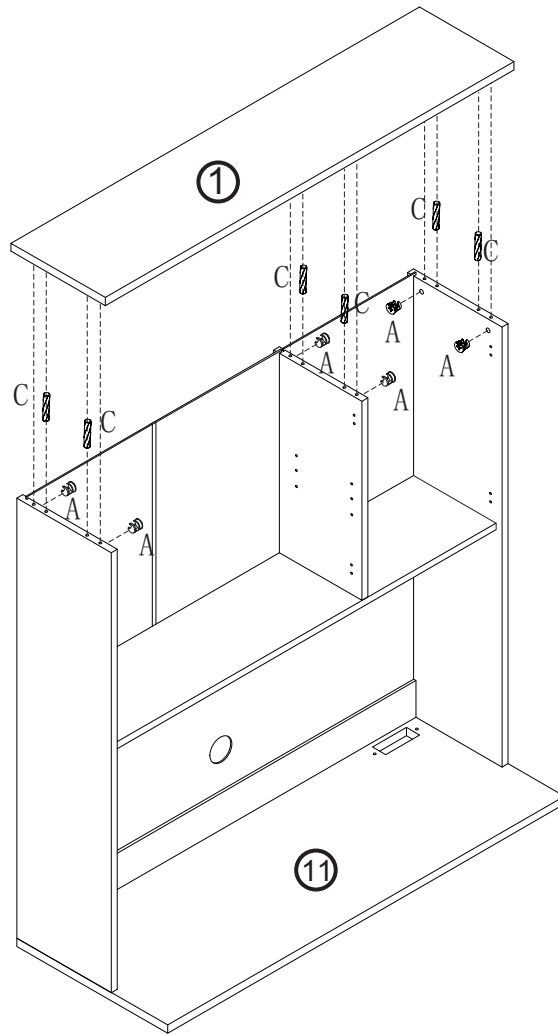
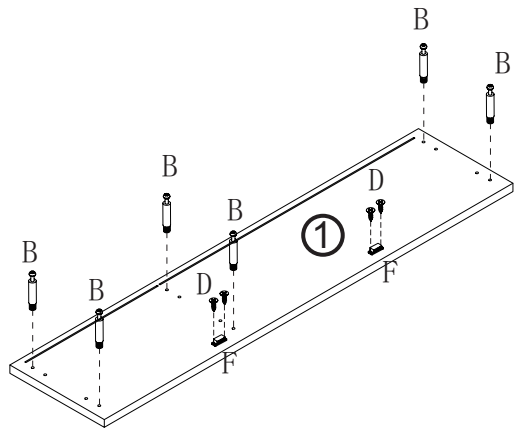
	A x 2
	B x 2
	C x 6
	E x 4



# Step 28

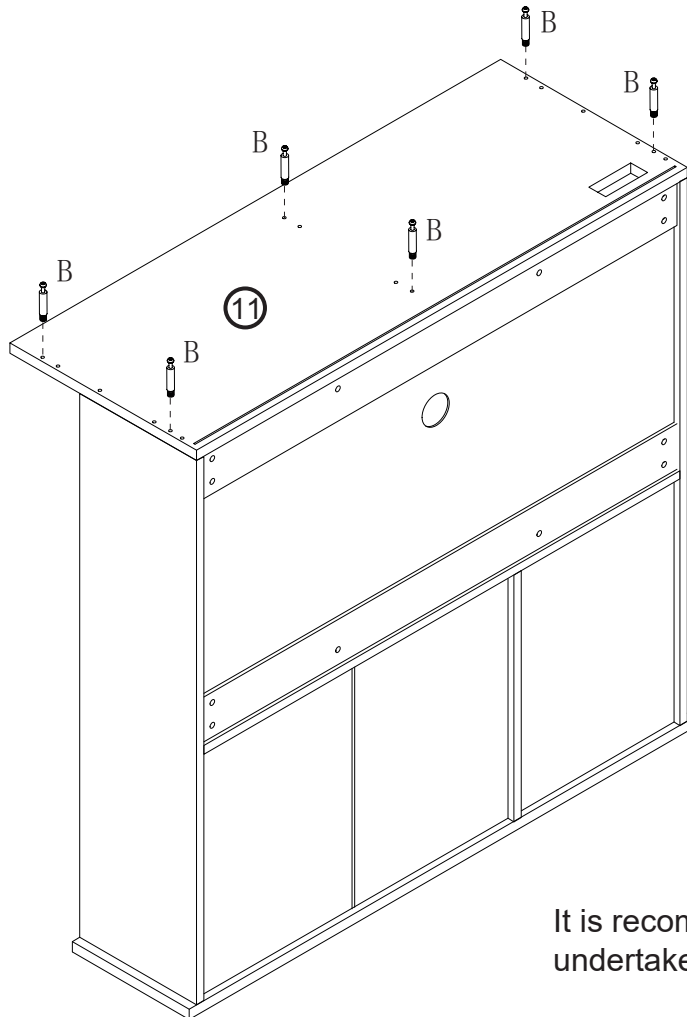


# Step 29



	A x 6
	B x 6
	C x 6
	D x 4
	F x 2

# Step 30



	B x 6
--	-------

It is recommended that assembly is undertaken by at least 2 adults.

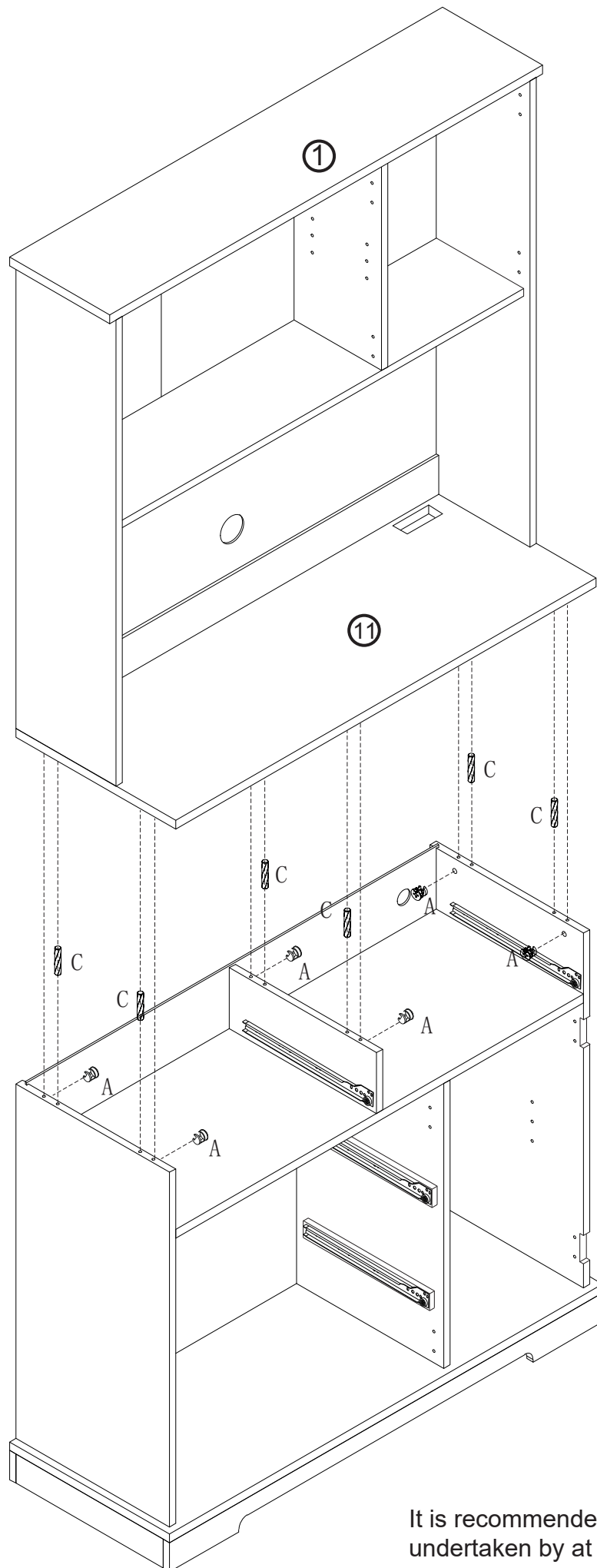
# Step 31



Ax6



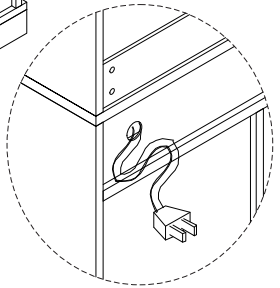
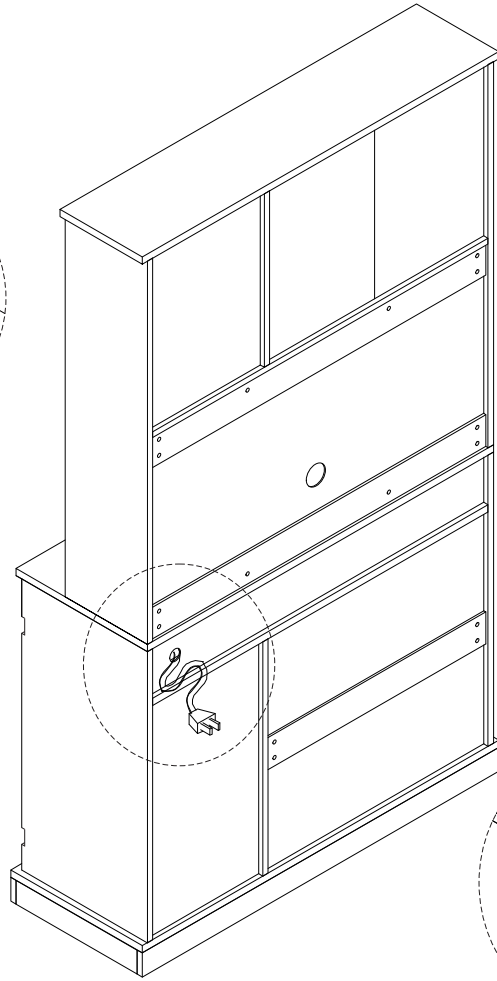
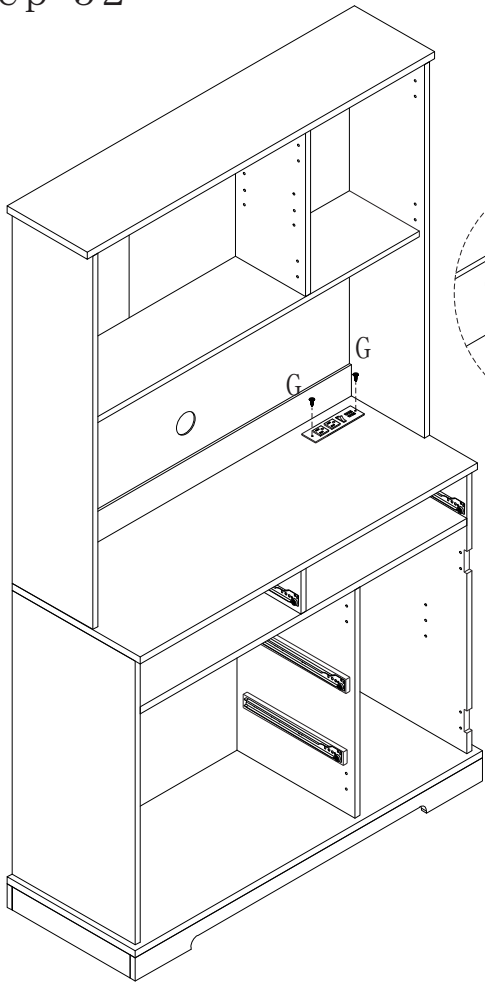
Cx6



It is recommended that assembly is undertaken by at least 2 adults.

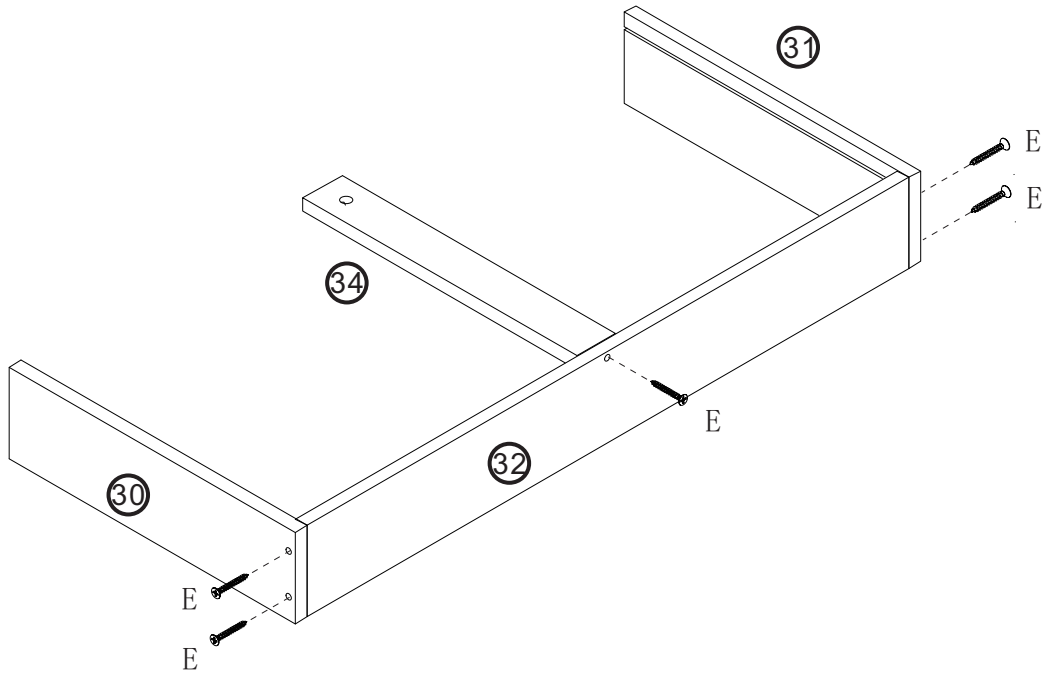
# Step 32

- Gx2
- Jx1



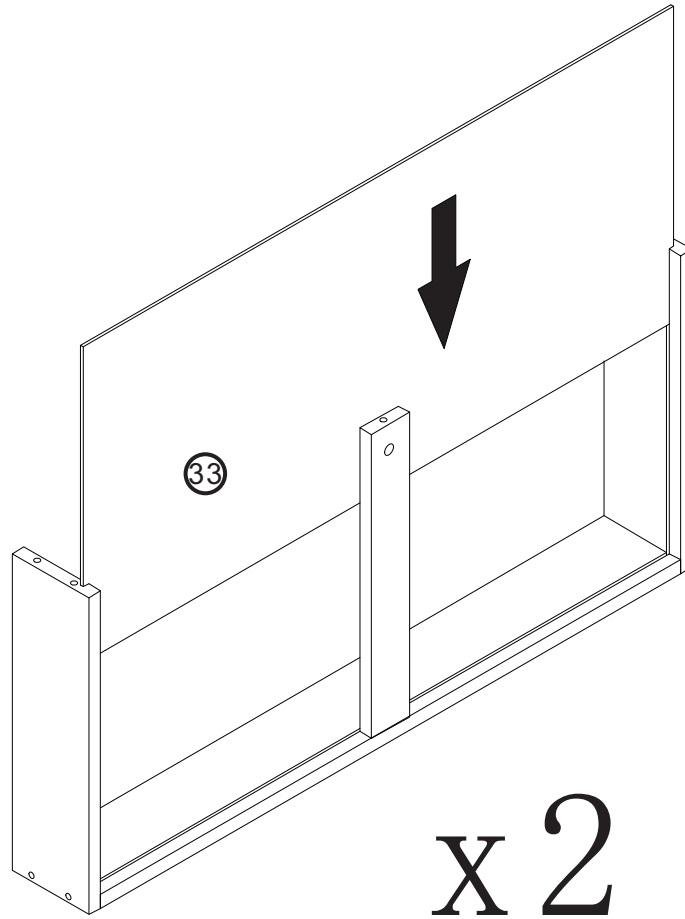
# Step 33

- Ex10





x 2

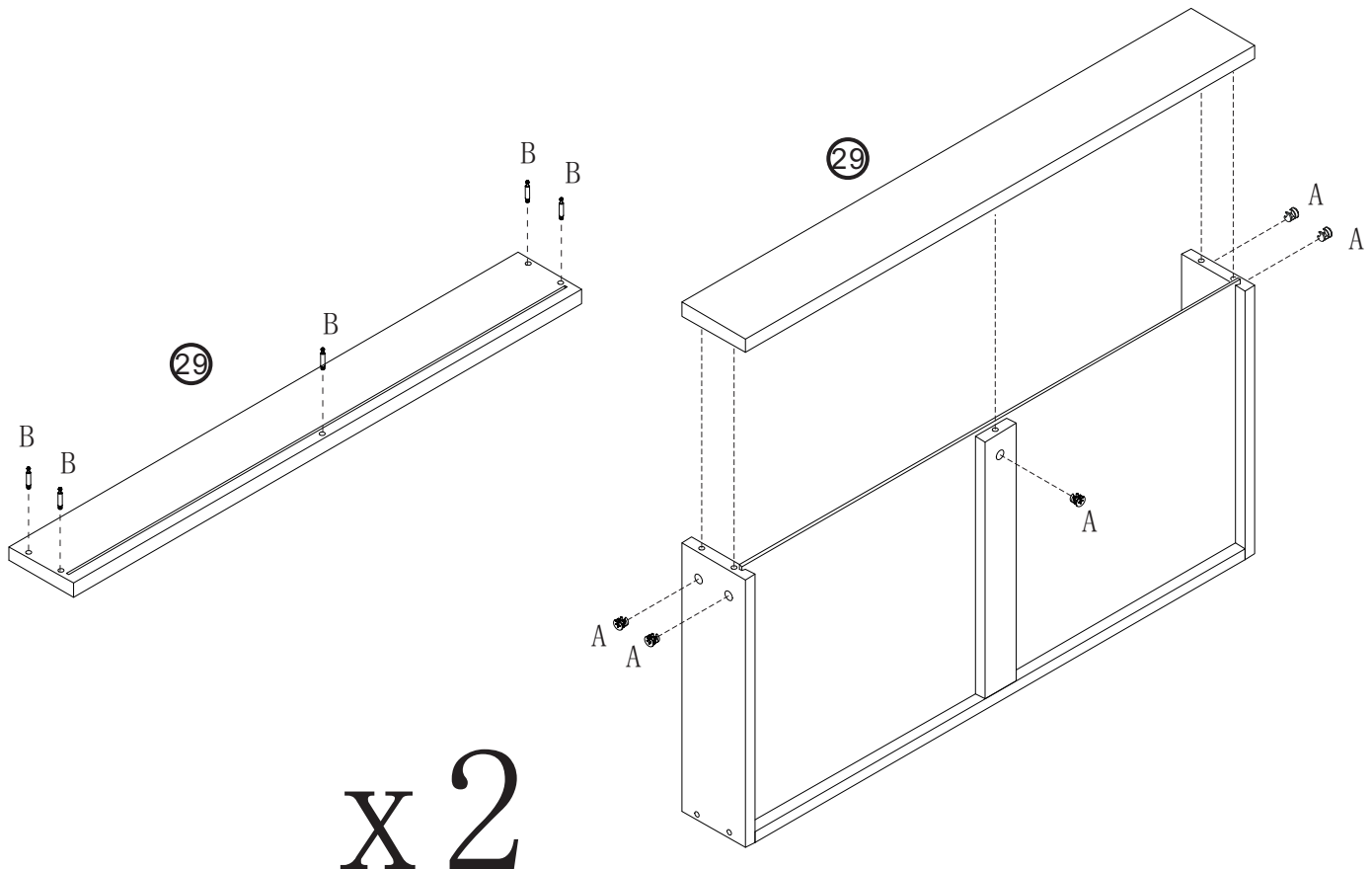
# Step 34



x 2




# Step 35

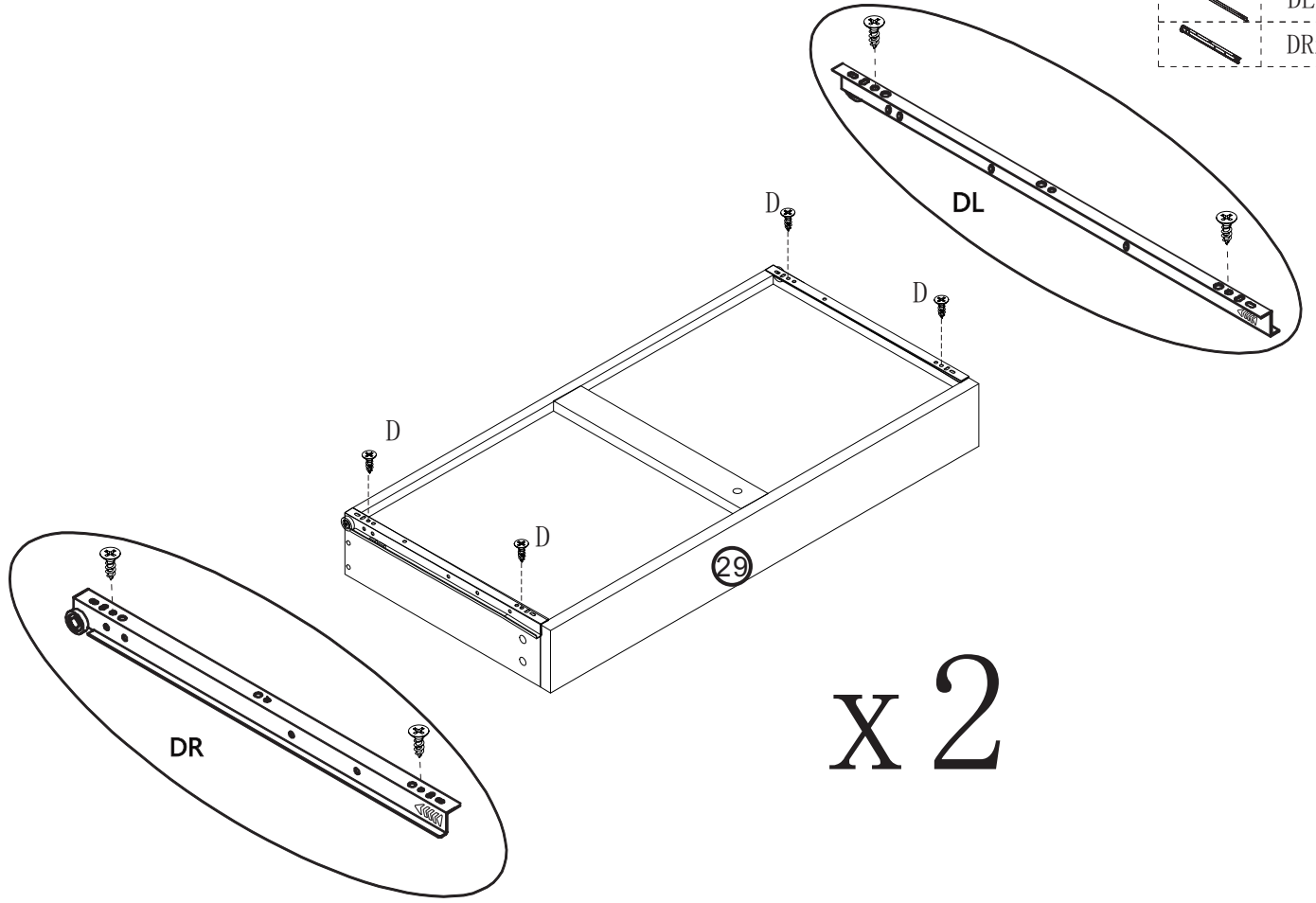
	A x 10
	B x 10



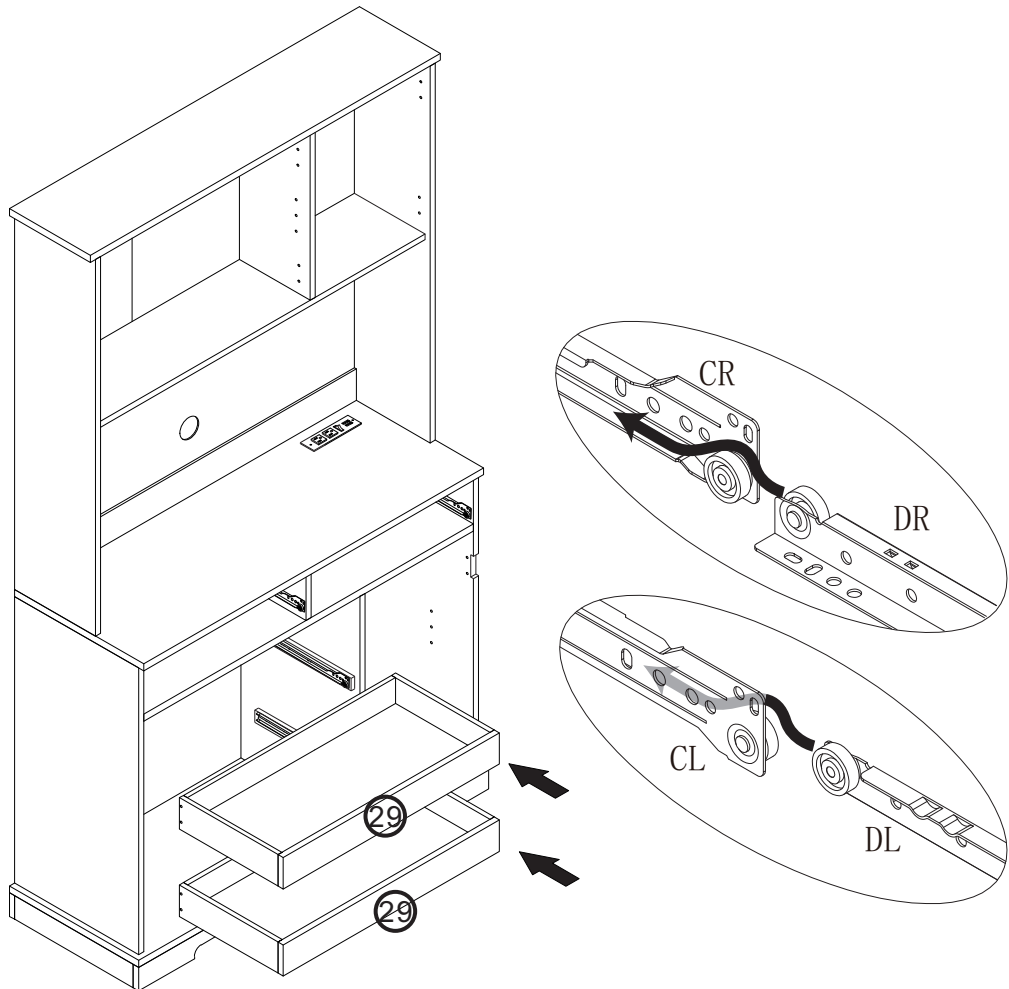
x 2

# Step 36

	Dx8
	DLx2
	DRx2



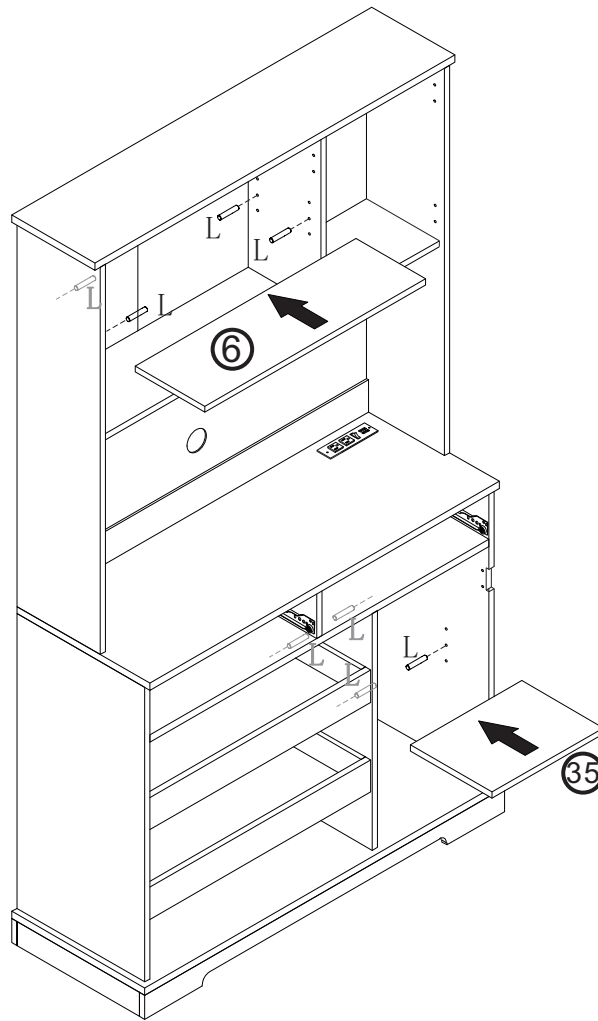
# Step 37



# Step 38

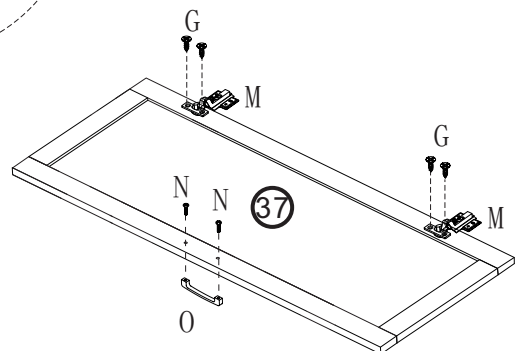
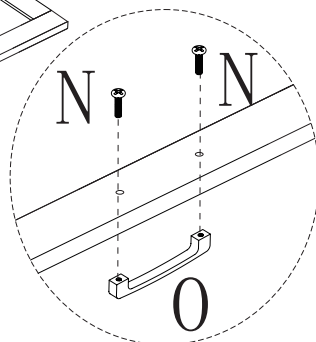
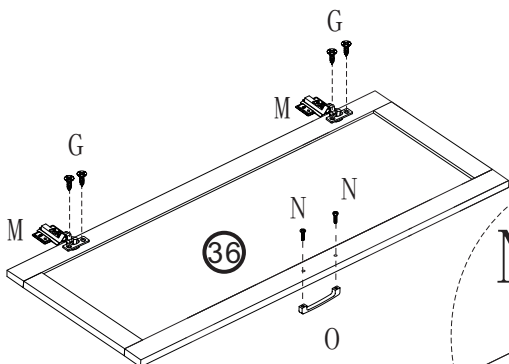
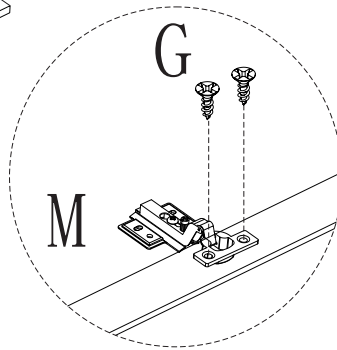
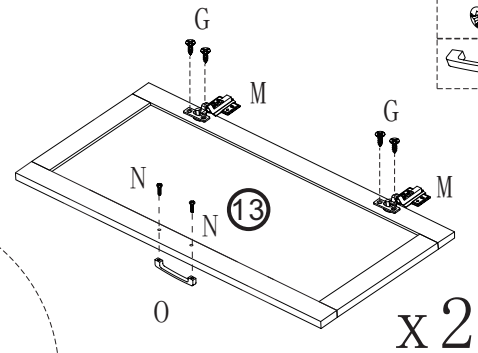
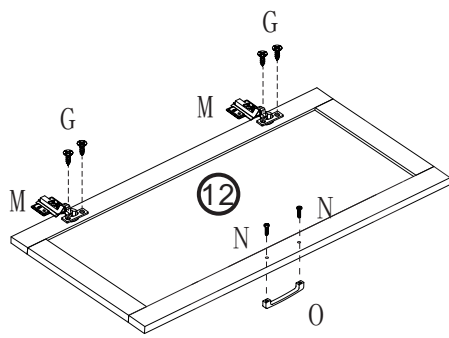


Lx8



# Step 39

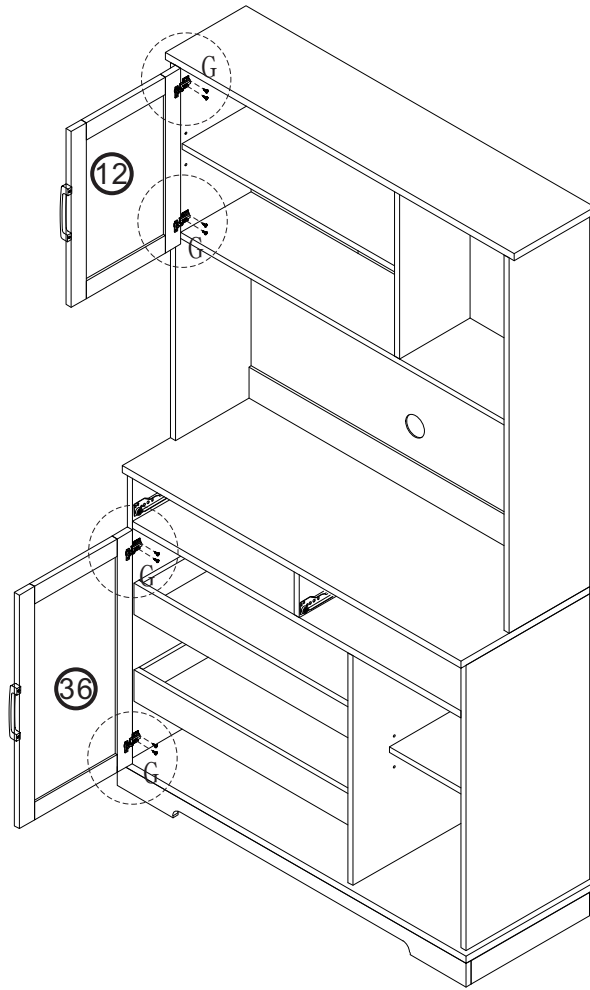
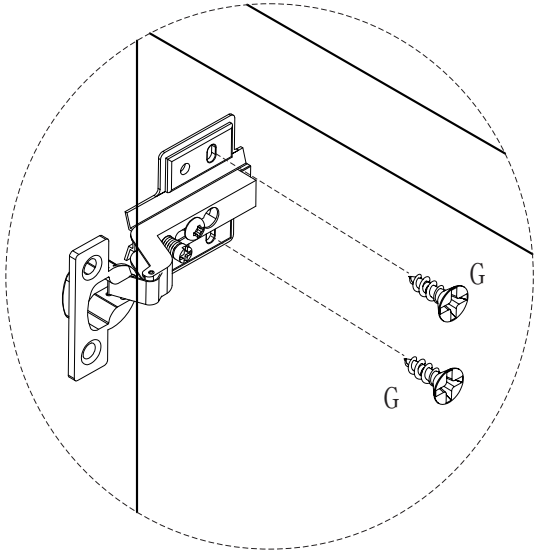
	Gx20
	Mx10
	Nx10
	Ox5



# Step 40



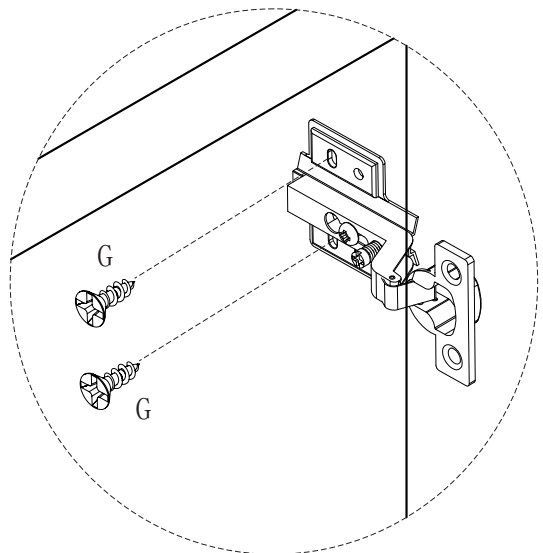
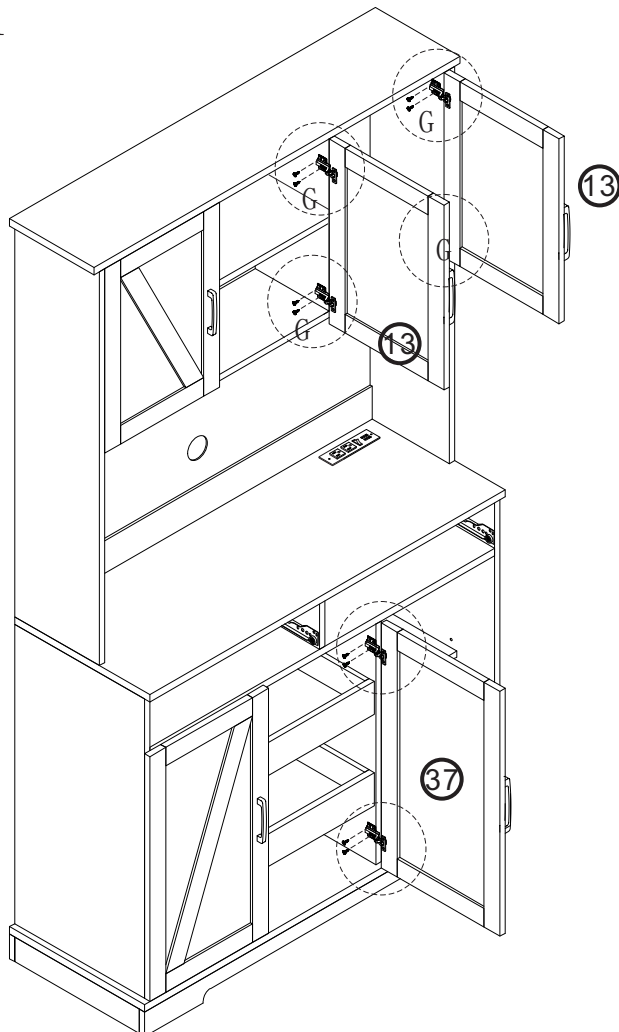
Gx8



# Step 41



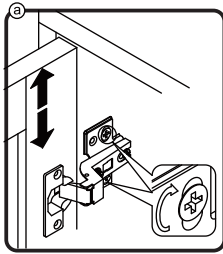
Gx12



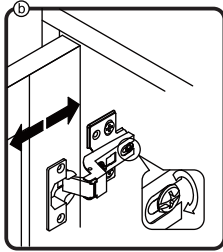
# Step 42



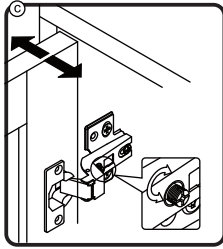
Gx20



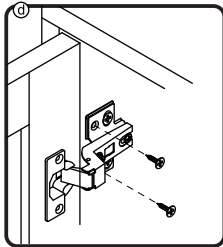
To adjust the door vertically loosen the screw as shown and move up and down as needed.



To adjust the gap from the door to the main frame turn the screw clockwise or anti-clockwise as needed.



To adjust the door laterally adjust the screw as shown by turning clockwise or anti-clockwise.

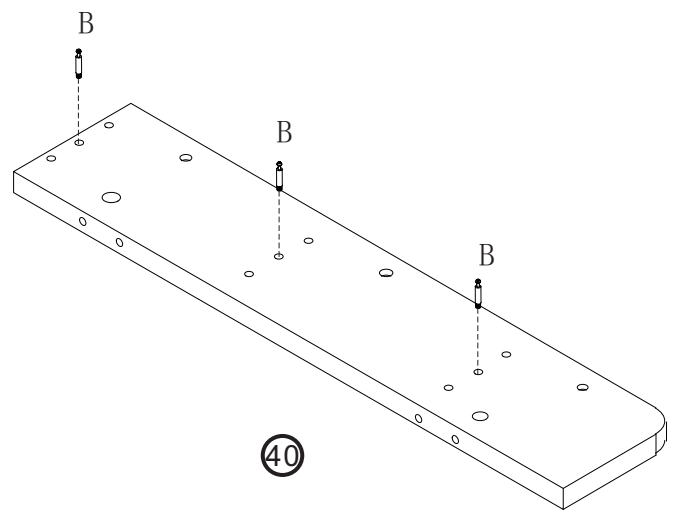
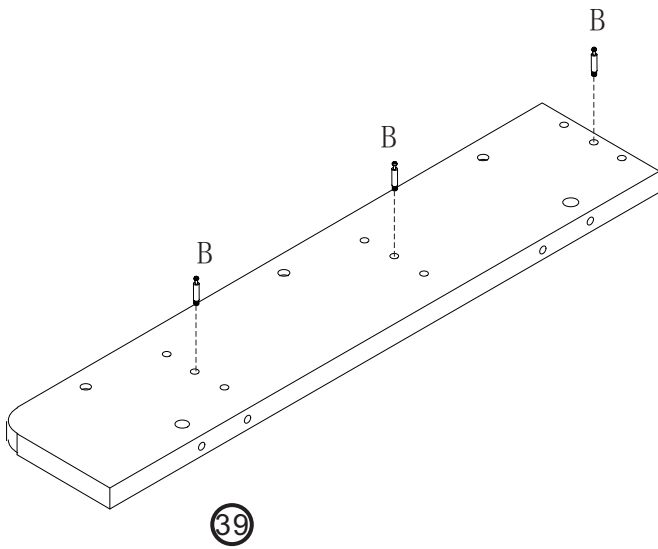


Lock the final screws right in for product stability.



# Step 43

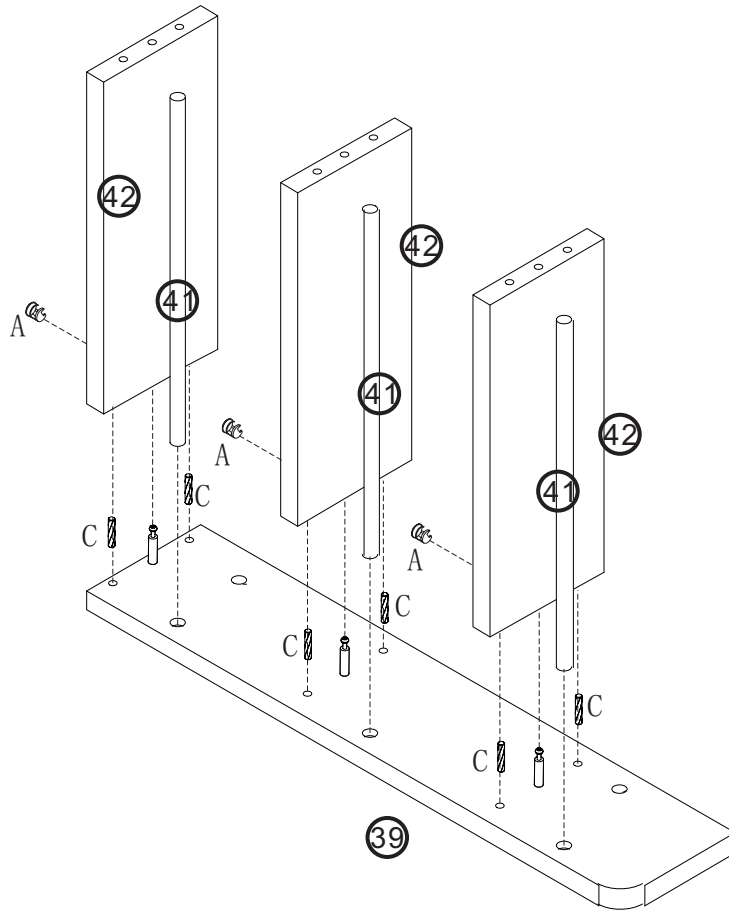


Bx6





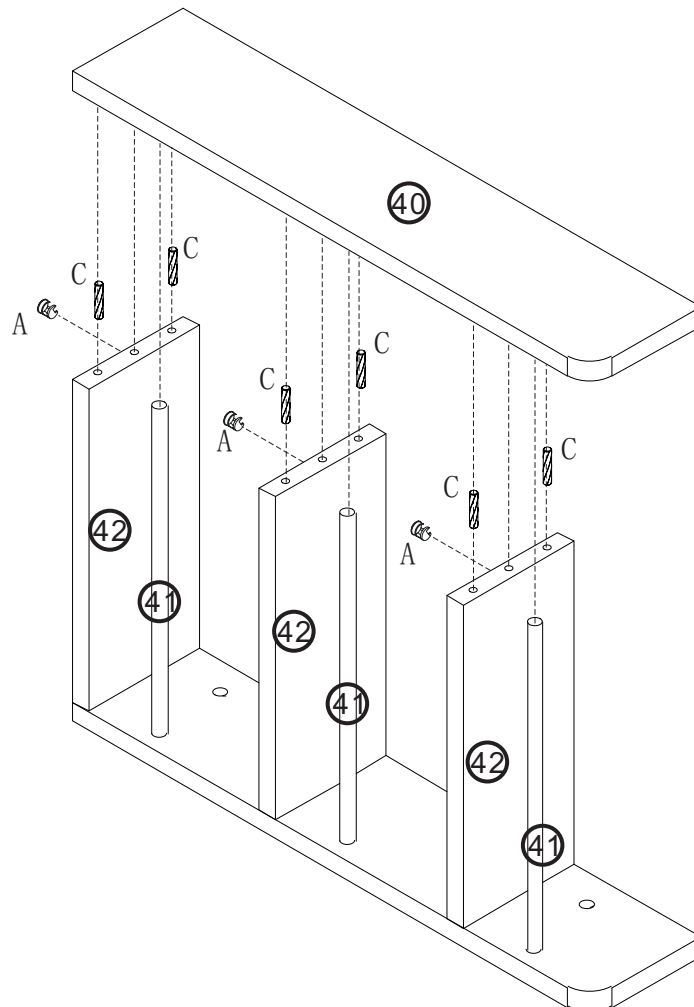
# Step 44

	Ax3
	Cx6








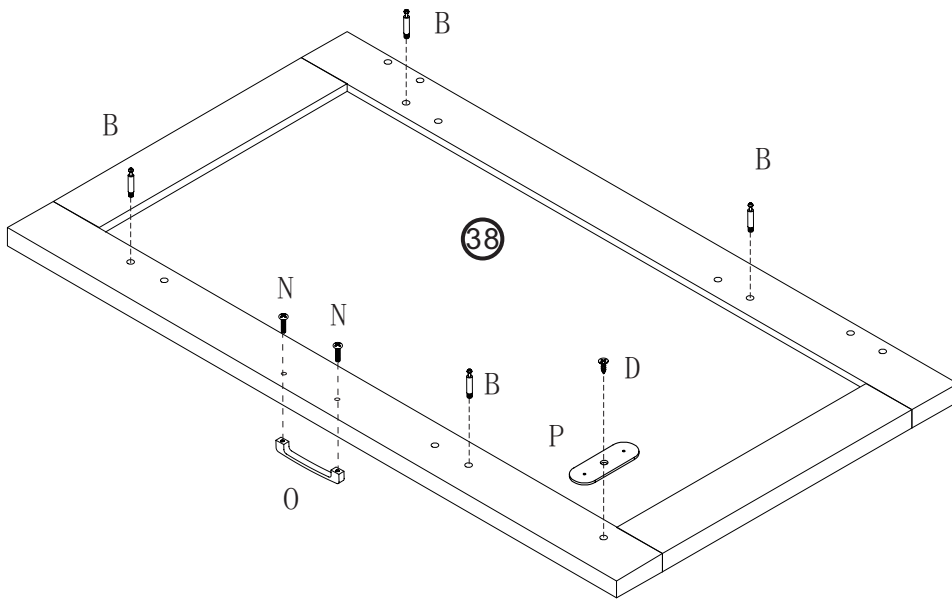
# Step 45

	Ax3
	Cx6



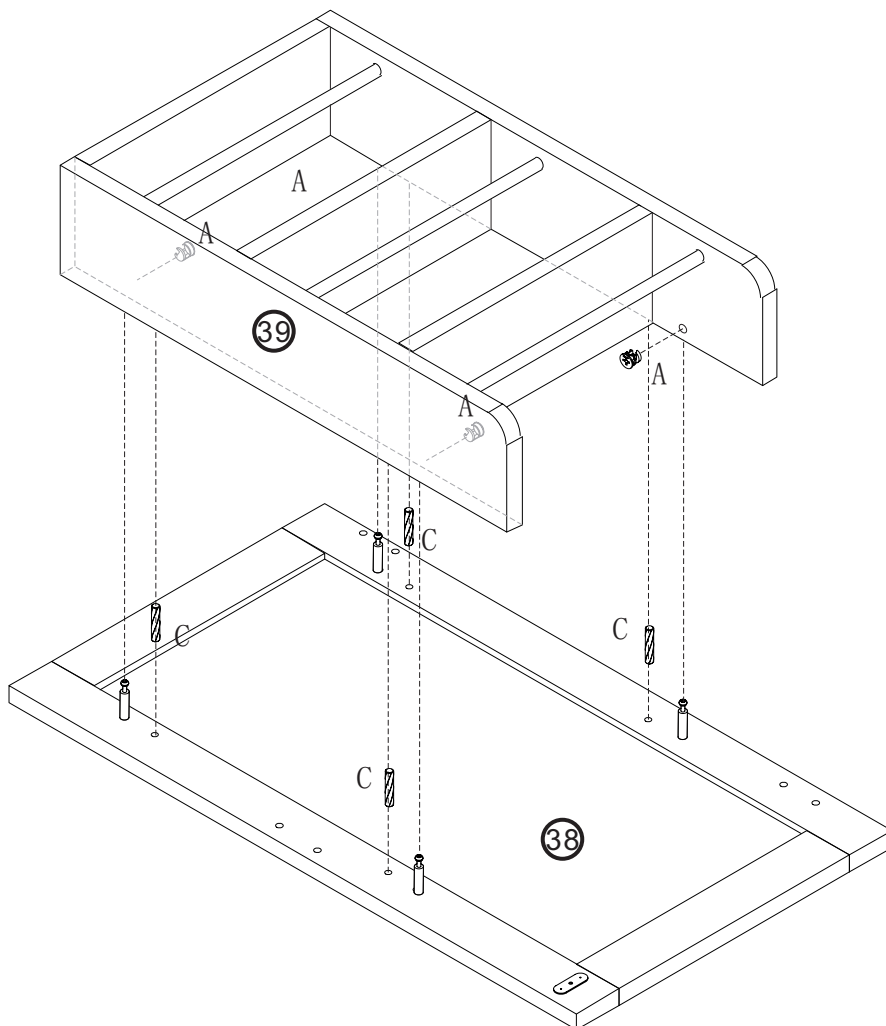
# Step 46

	Bx4
	Dx1
	Nx2
	Ox1
	Px1





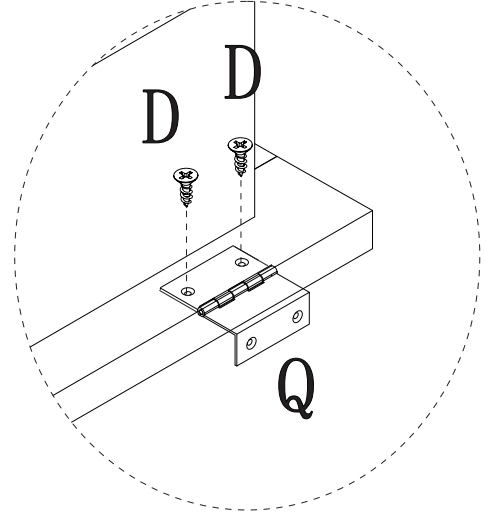
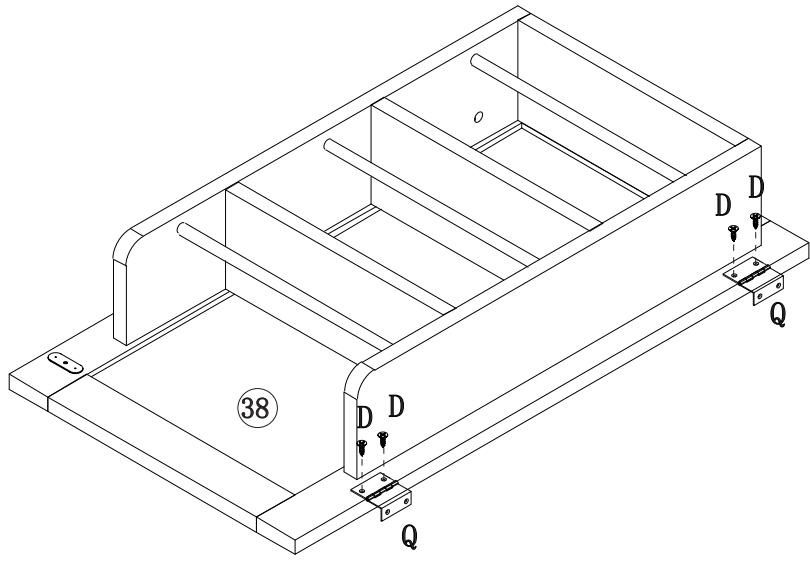
# Step 47

	Ax4
	Cx4




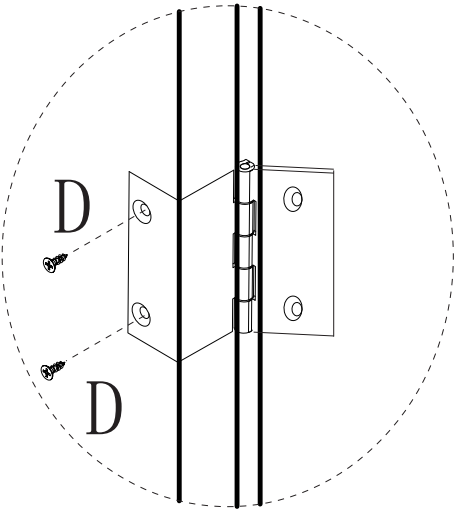
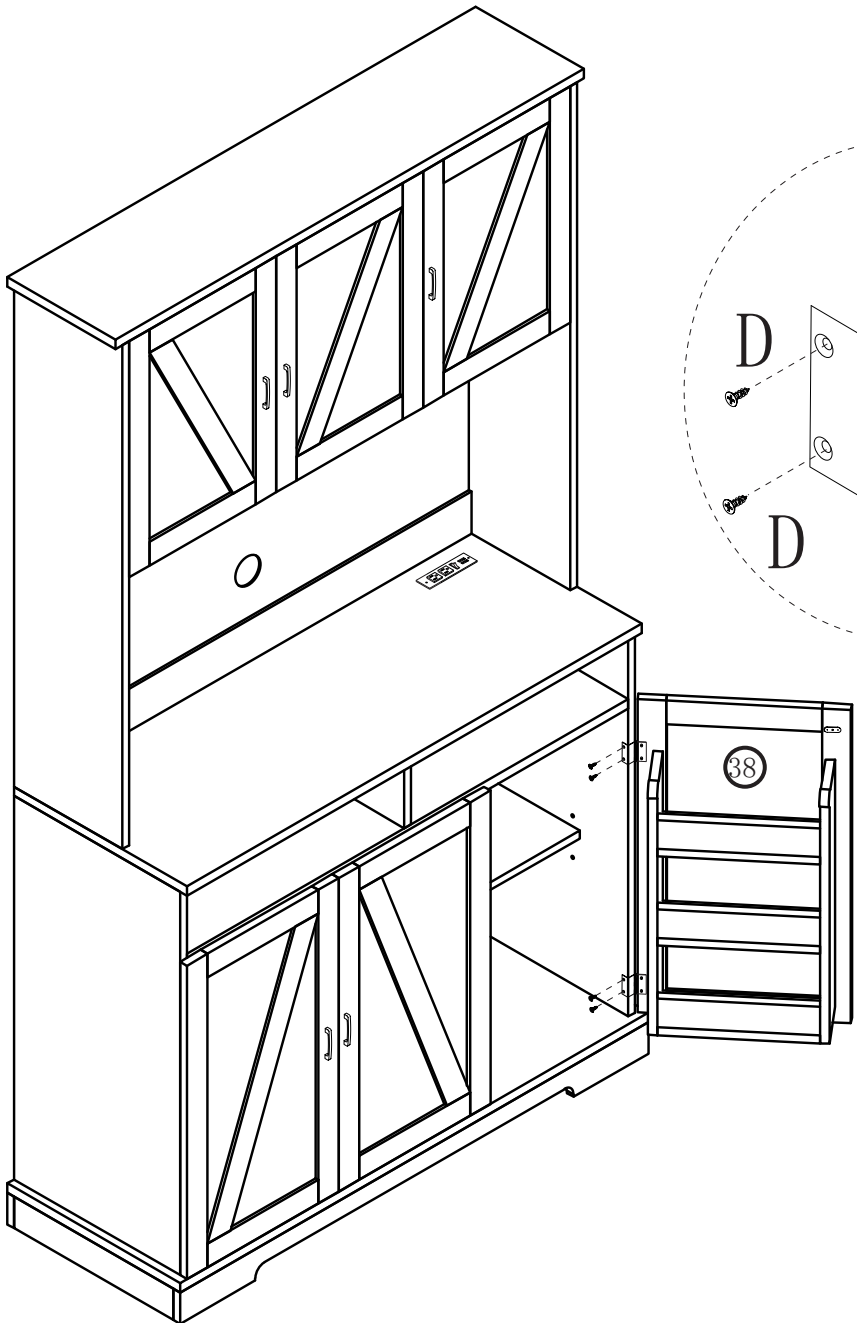
# Step 48

-  Dx4
-  Qx2



# Step 49

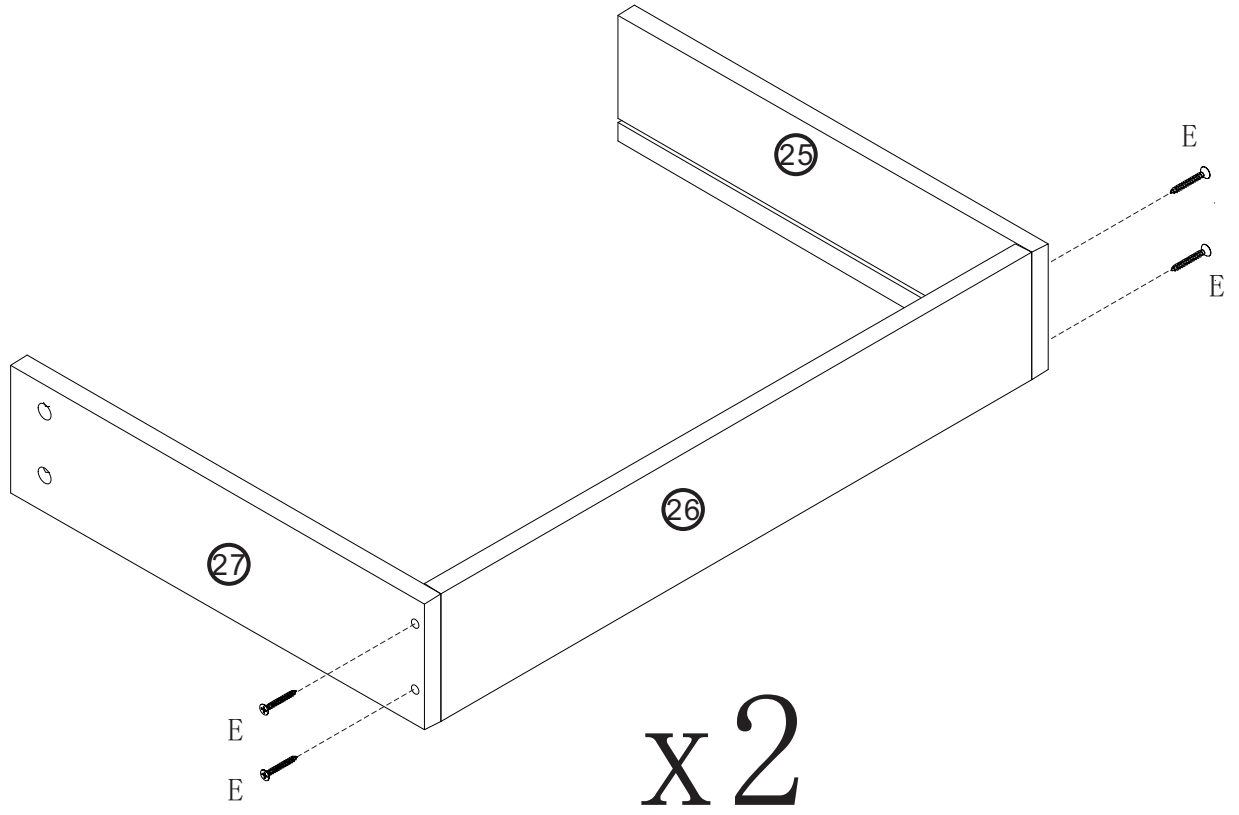
-  Dx4



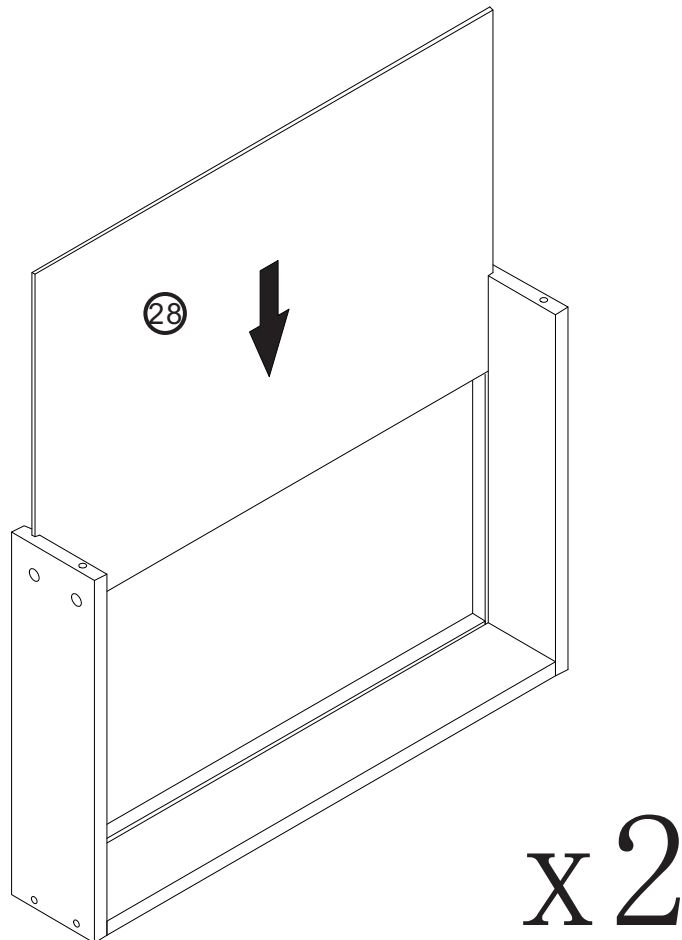
Step 50





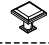

Ex8

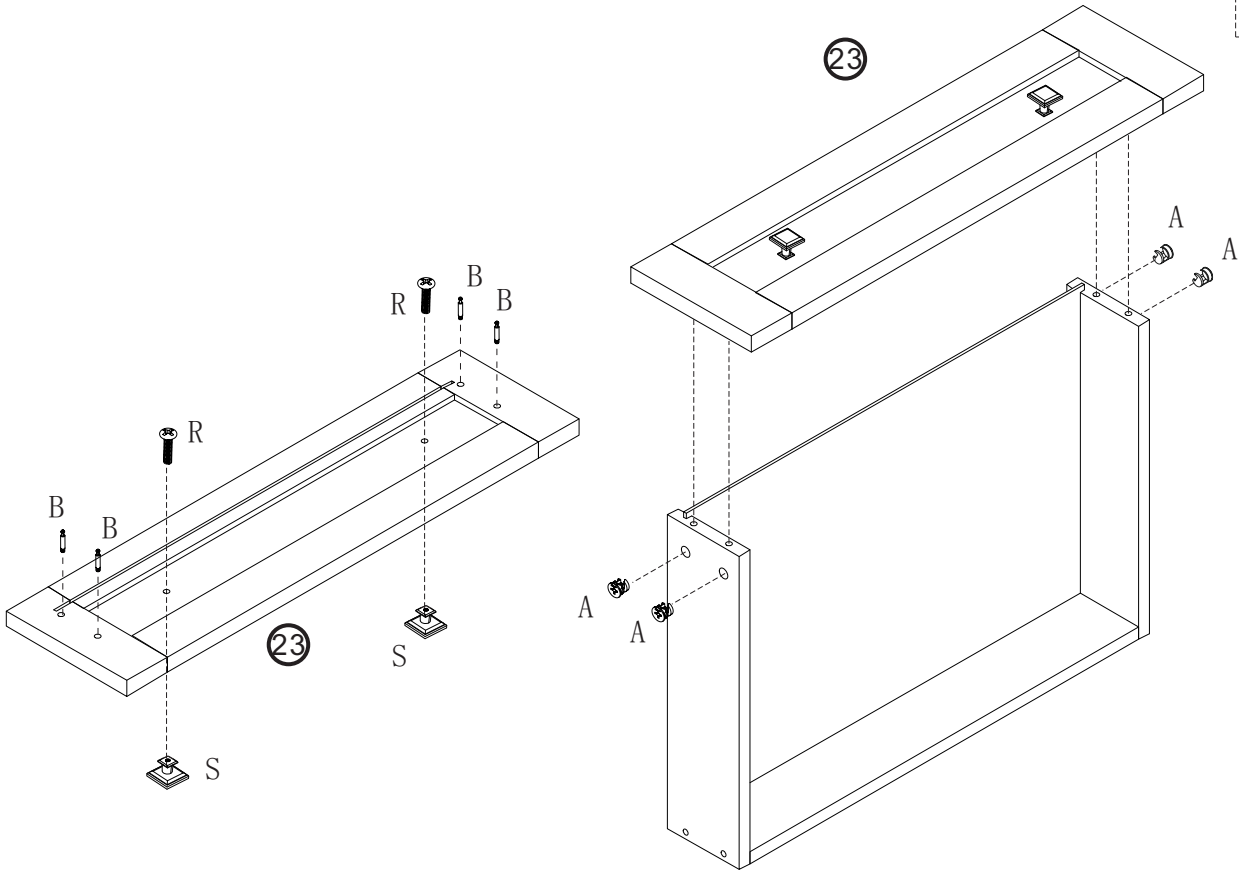


Step 51



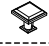



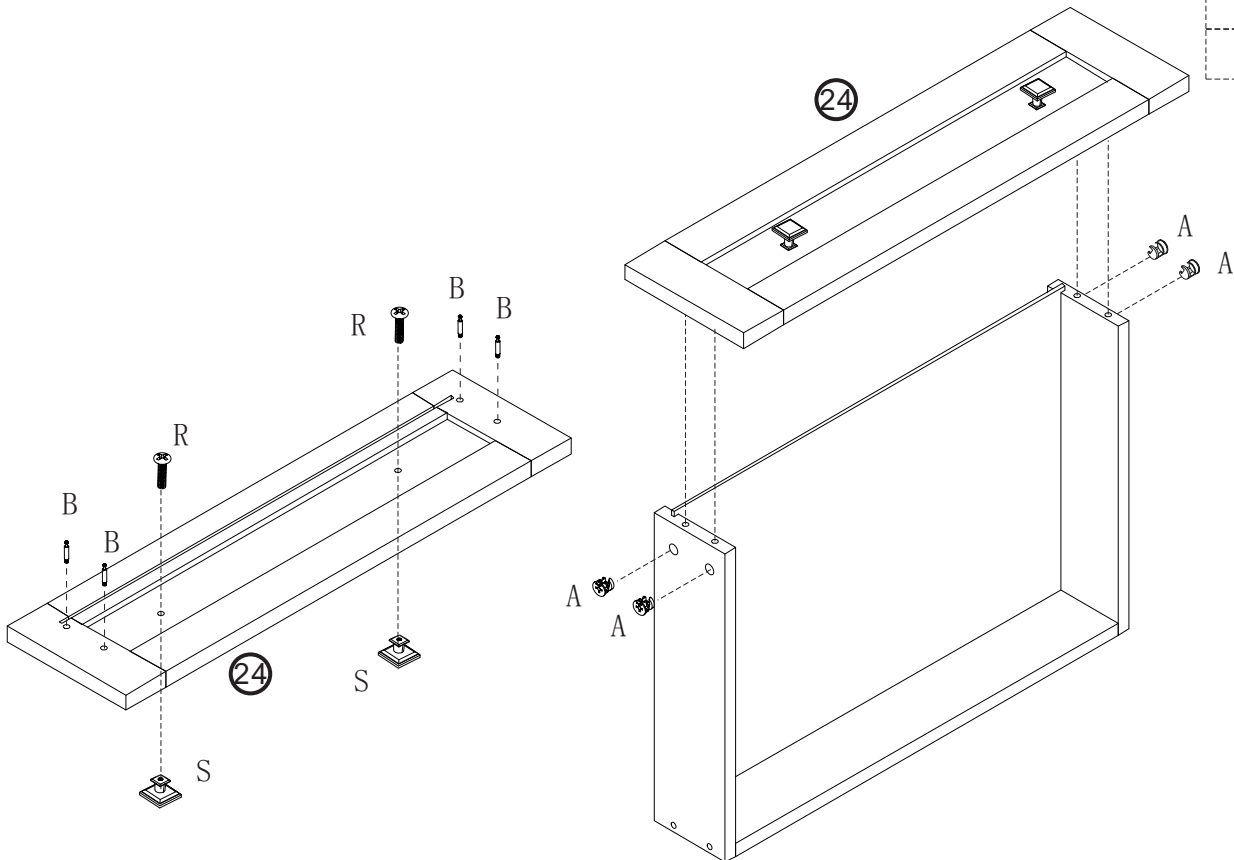
# Step 52

	A x 4
	B x 4
	R x 2
	S x 2

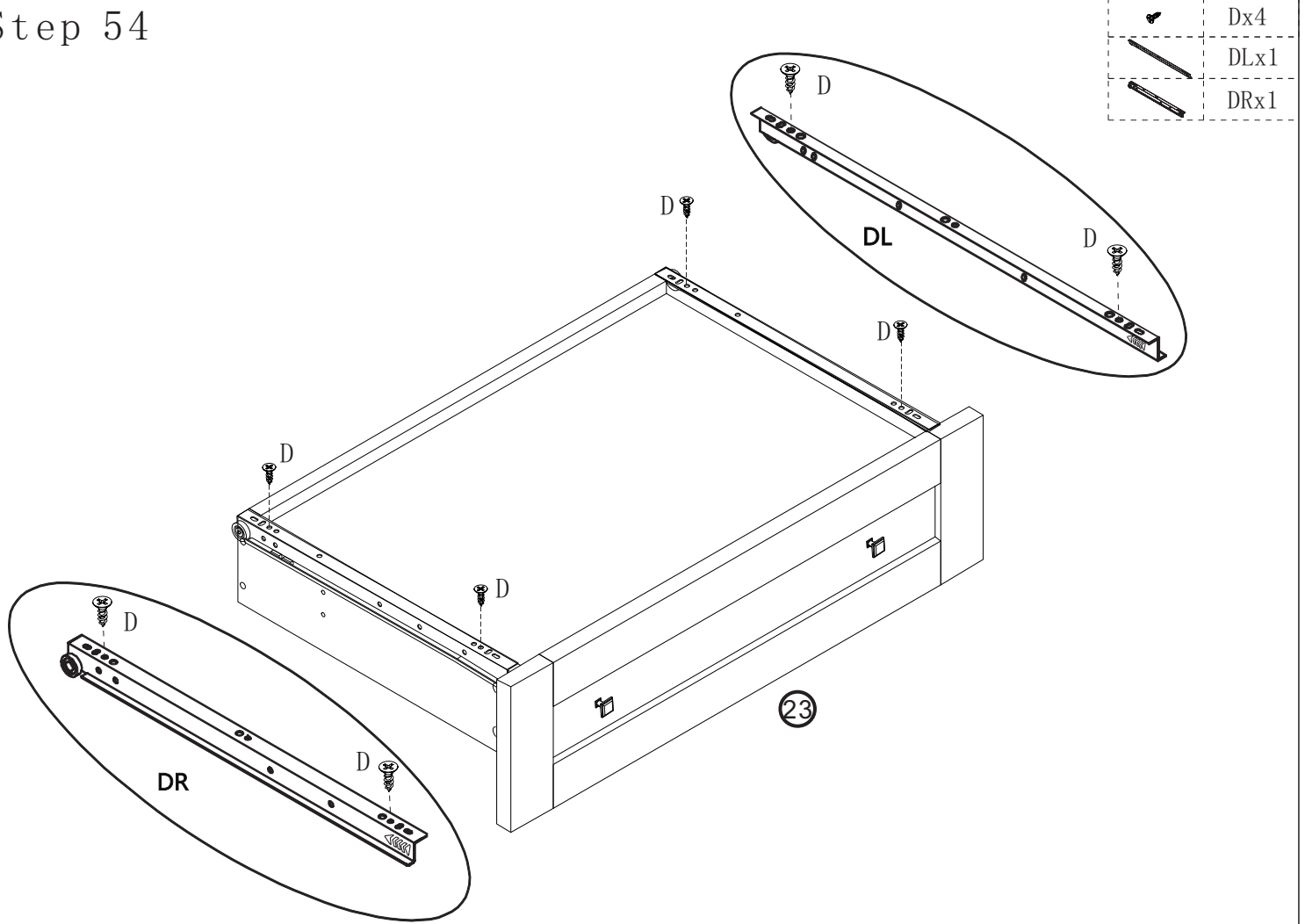


# Step 53

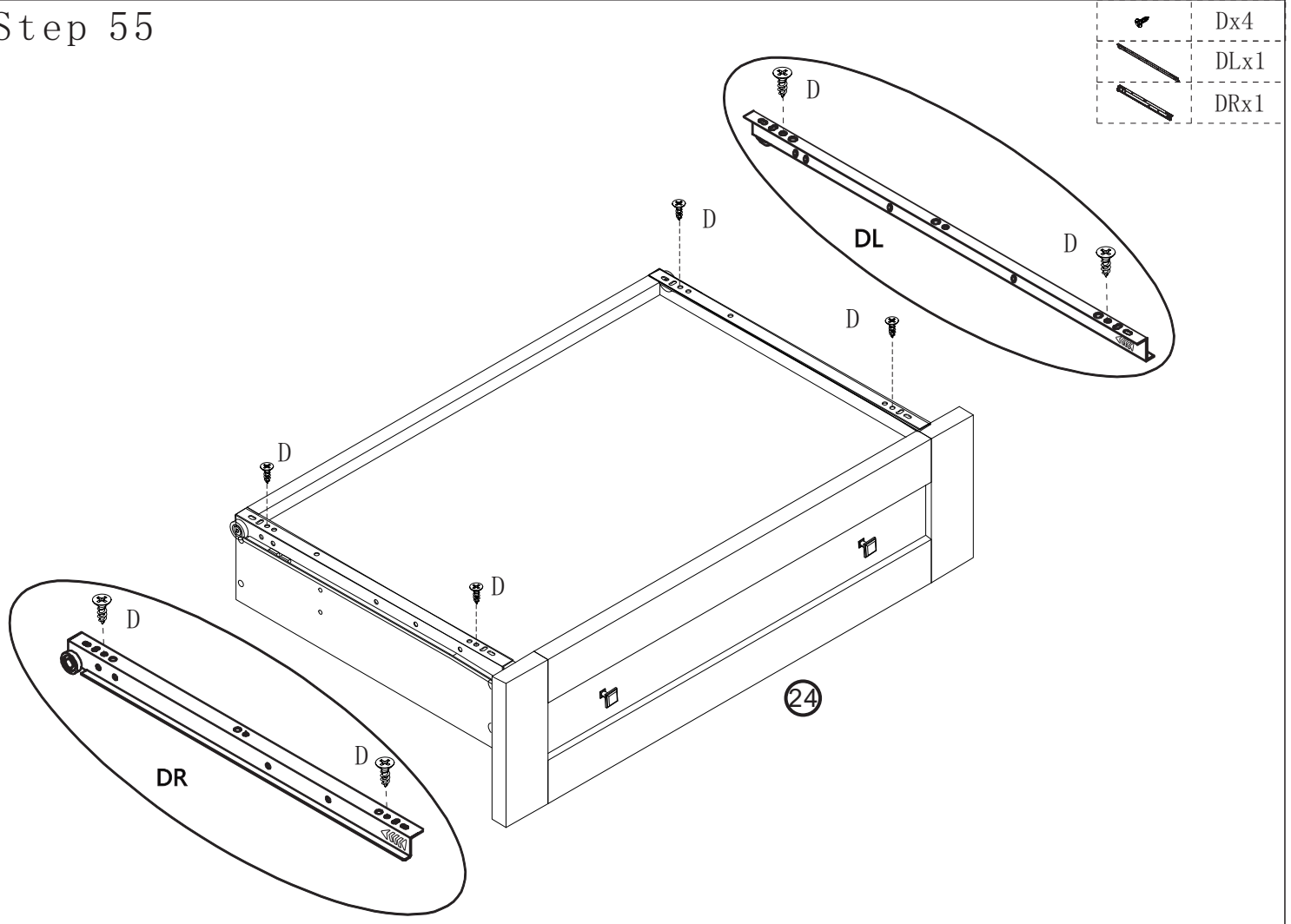
	A x 4
	B x 4
	R x 2
	S x 2



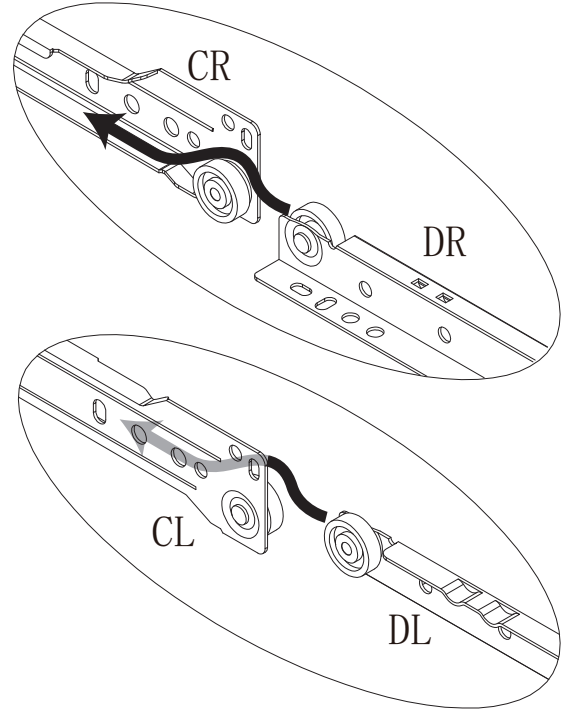
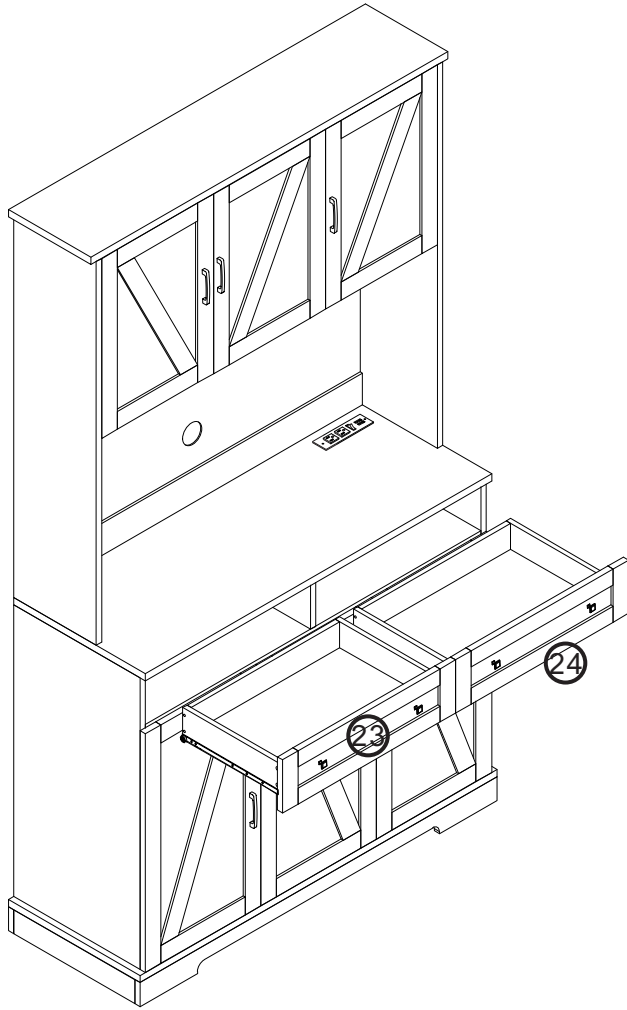
# Step 54



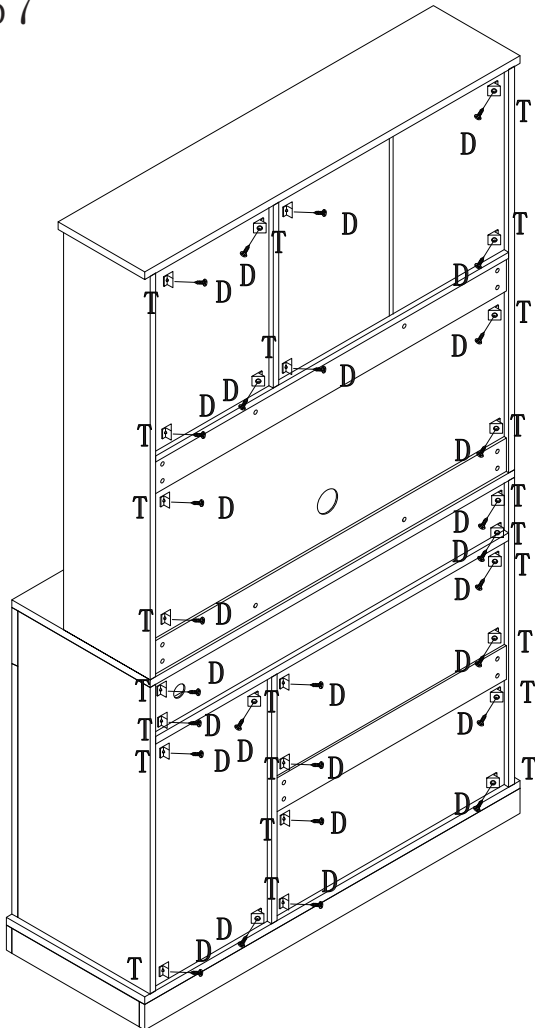
# Step 55





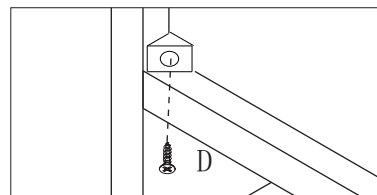
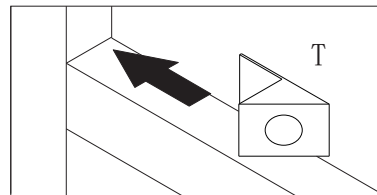
# Step 56




# Step 57

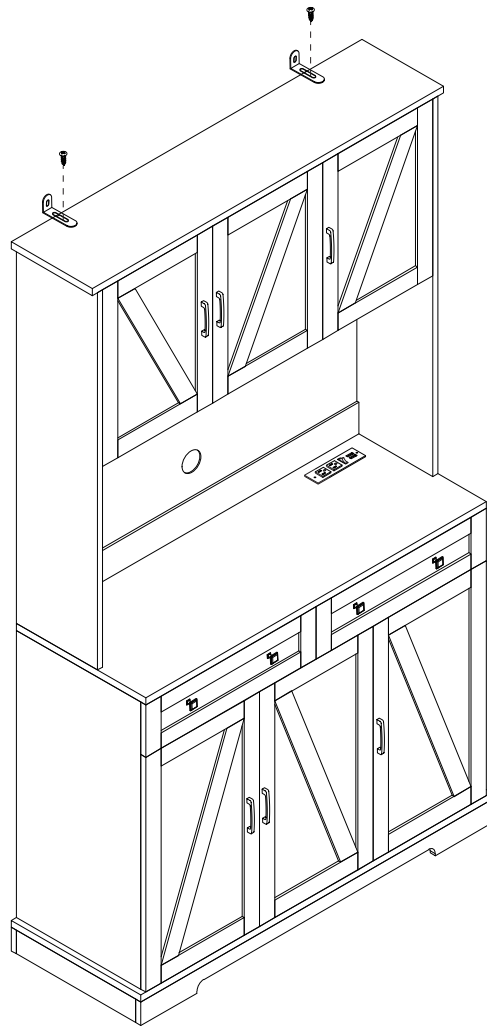
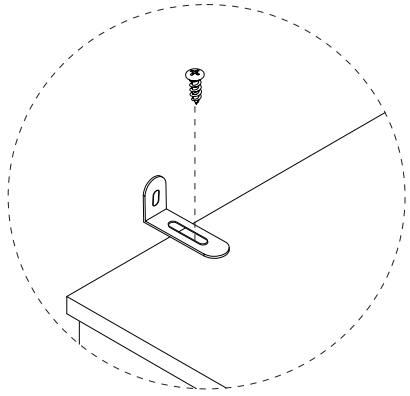


	Dx28
	Tx28



# Step 58

 Ux2



# Step 59

 Ux2

