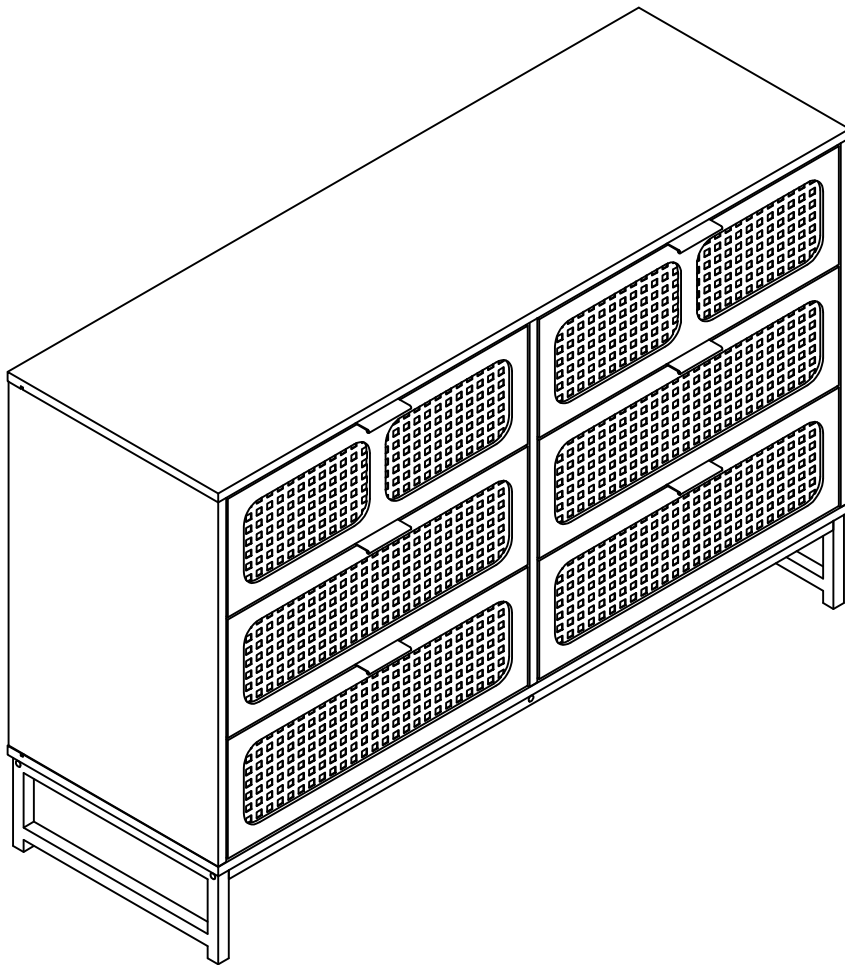


# Installation Instruction



# Assembling

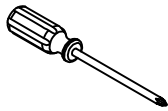
Estimated time for assembly



**45 : 00**

## What you need

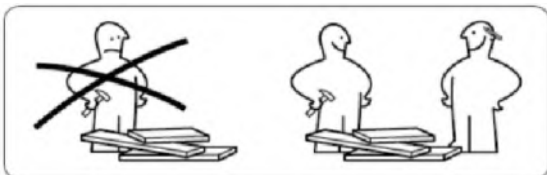
- Use the packaging carton as a working surface to prevent product damage during assembly
- Phillips head screwdriver



## Weight Limitation



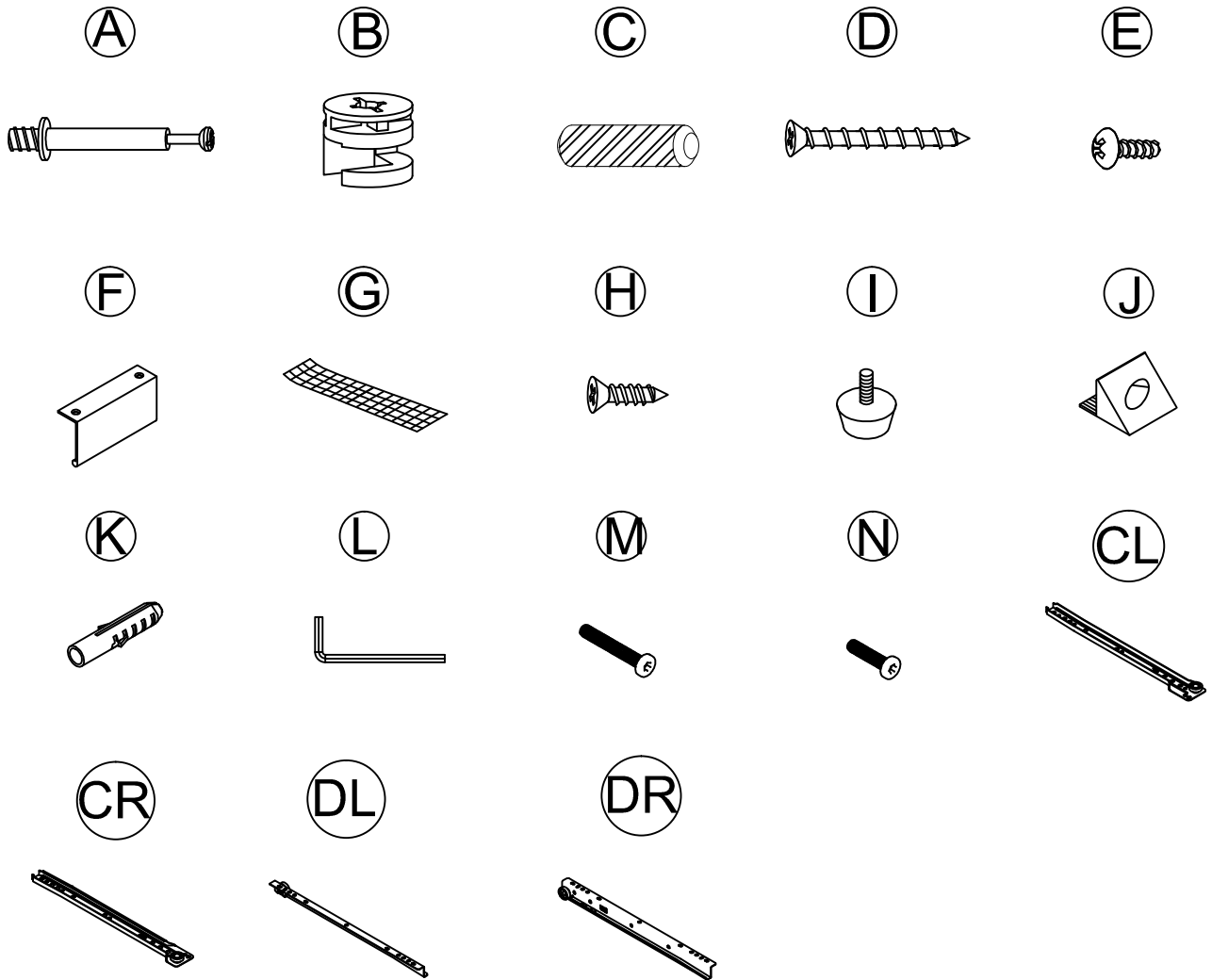
**100** | **35**  
lbs table top | lbs per



# What' included

Code	Description	Qty
A	Cam Bolt M6X35MM	44
B	Cam Lock 15X10MM	44
C	Wooden Dowel M8X30MM	12
D	Screw M4X40MM	44
E	Screw M3.5X14MM	2
F	Metal shake handhandle	6
G	Nylon Strap	2
H	Screw M3.0X14MM	76
I	Adjustable Leveler	1
J	The back button	16
K	Anchor	2
L	Wrench M4X55MM	1
M	Screw M6X40MM	6
N	Screw M6X30MM	10
CL	Left mother extended orbit	6
CR	Right mother extended orbit	6
DL	Left public extension track	6
DR	Right public extends track	6

# The Hardwares



## IMPORTANT:

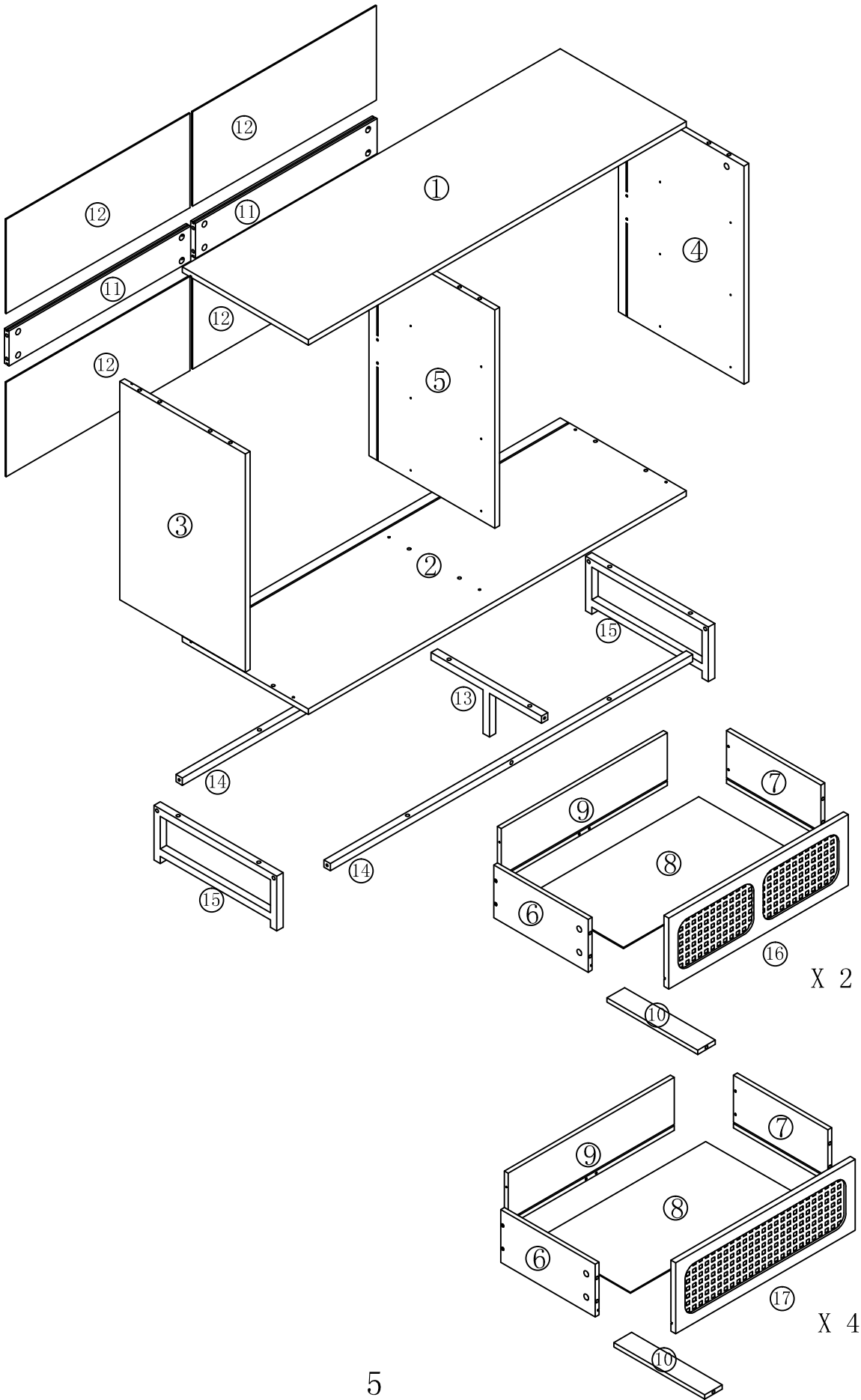
1. Do not tighten bolts / screws completely until all bolts / screws are lined up and inserted into holes.
2. Do not over tighten screws and bolts to avoid stripping
3. Please use hand tools to assemble this product. Do not use power tools.

# Included Accessories

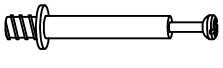

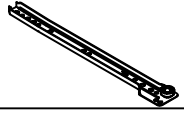
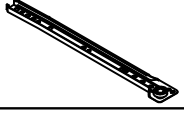
---

Code	Description	Qty
1	Cabinet Top	1
2	Bottom Panel	1
3	Left Side Panel	1
4	Right Side Panel	1
5	Neutral plate	1
6	Drawer left panel	6
7	Drawer right side panel	6
8	The drawer bottom	6
9	After the drawer board	6
10	Reinforcing strip	6
11	Back tie	2
12	Backboard	4
13	Adjustable support feet	1
14	Cross bar	2
15	Side frame	2
16	Top drawn side	2
17	Bottom drawer	4

# The Accessoriess

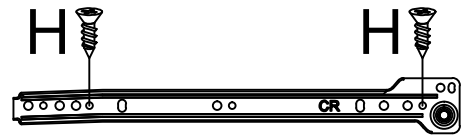


# Step 1

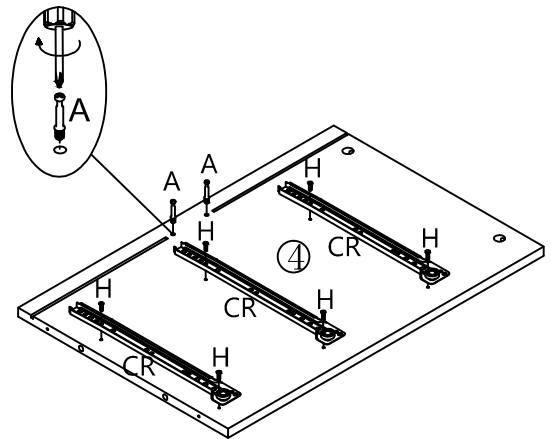
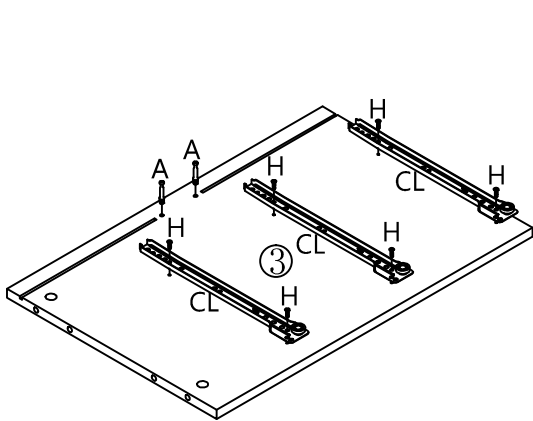
A	x 4	H	x 12	CL	x 3	CR	x 3
							



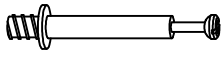

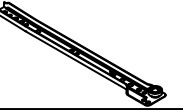

CL

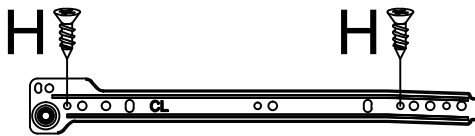


CR

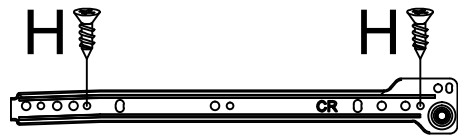


# Step 2

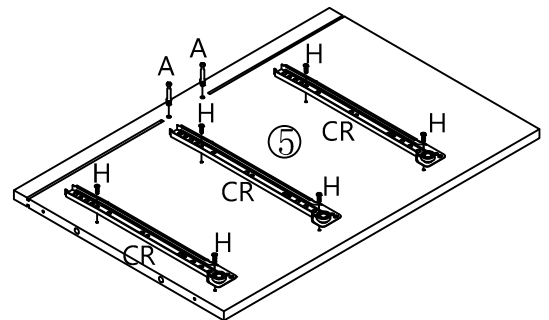
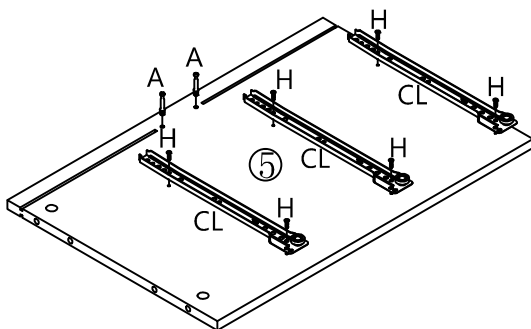
A	x 4	H	x 12	CL	x 3	CR	x 3
							



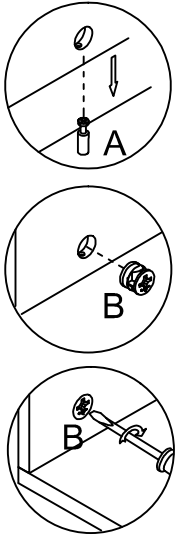
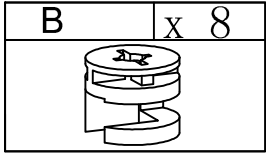
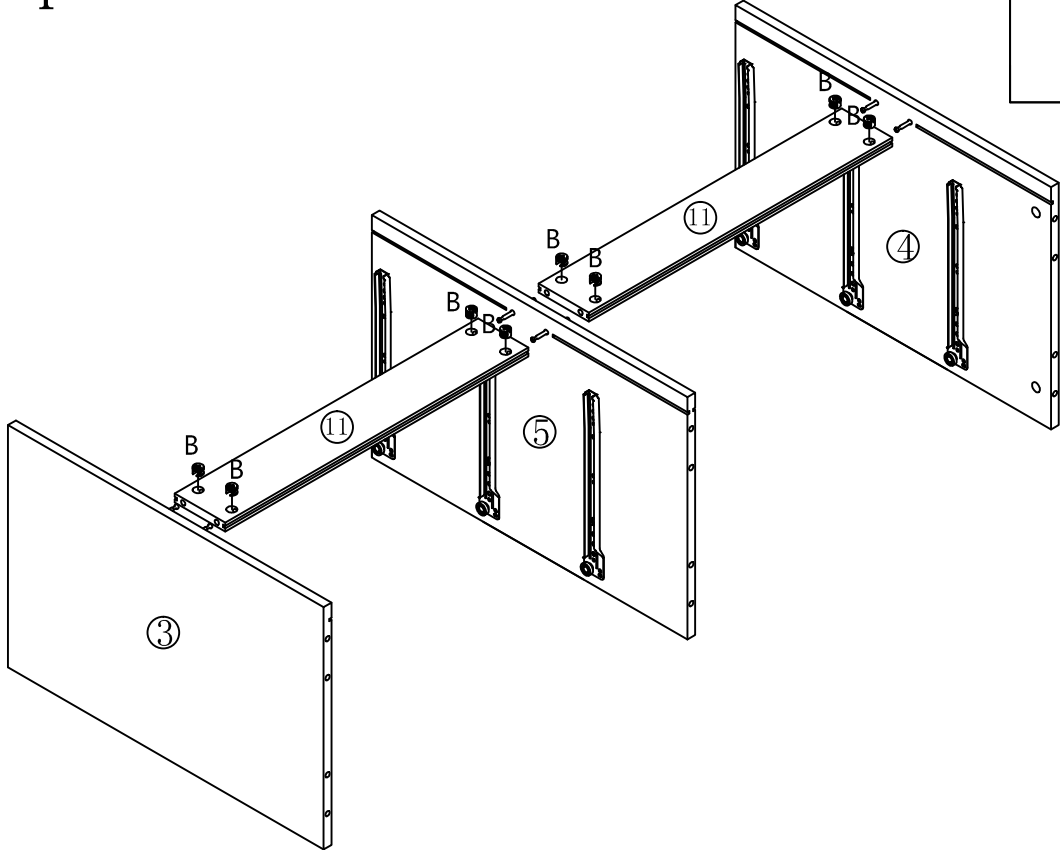
CL



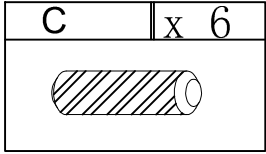
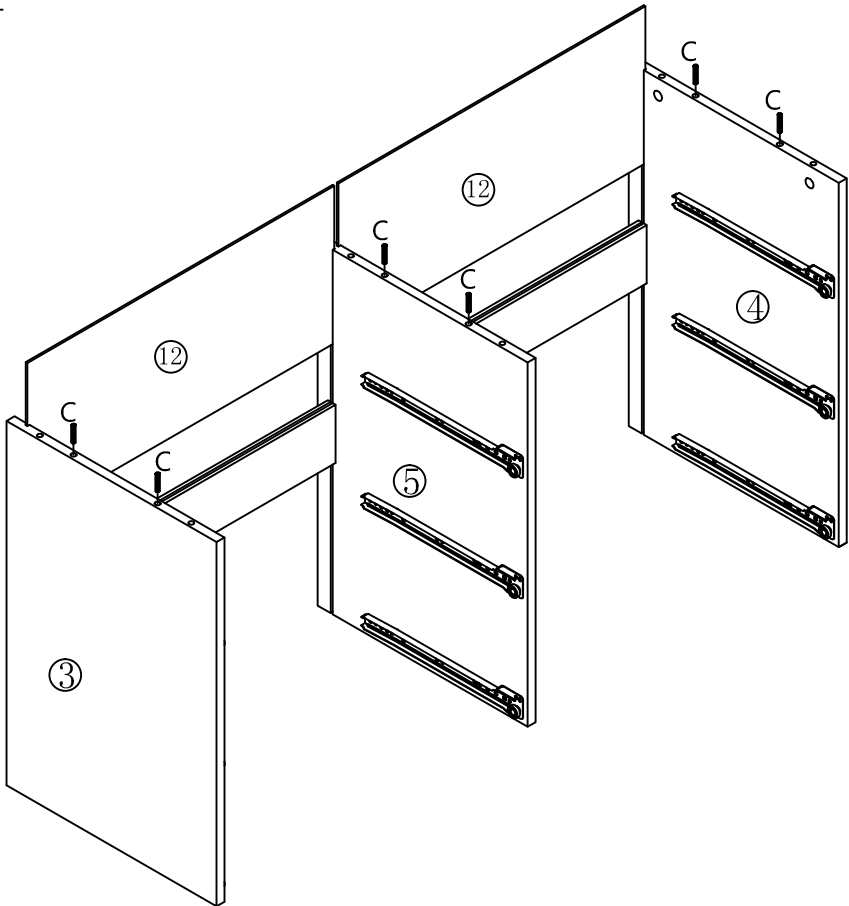
CR



# Step 3

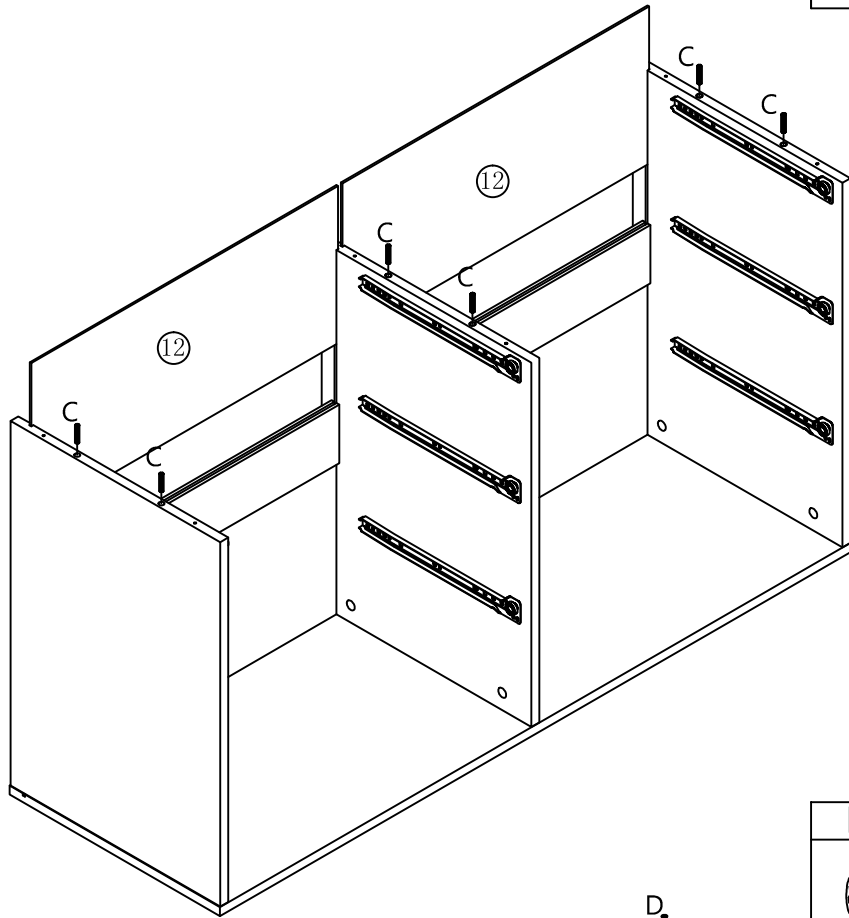
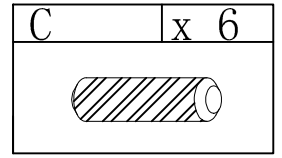


# Step 4

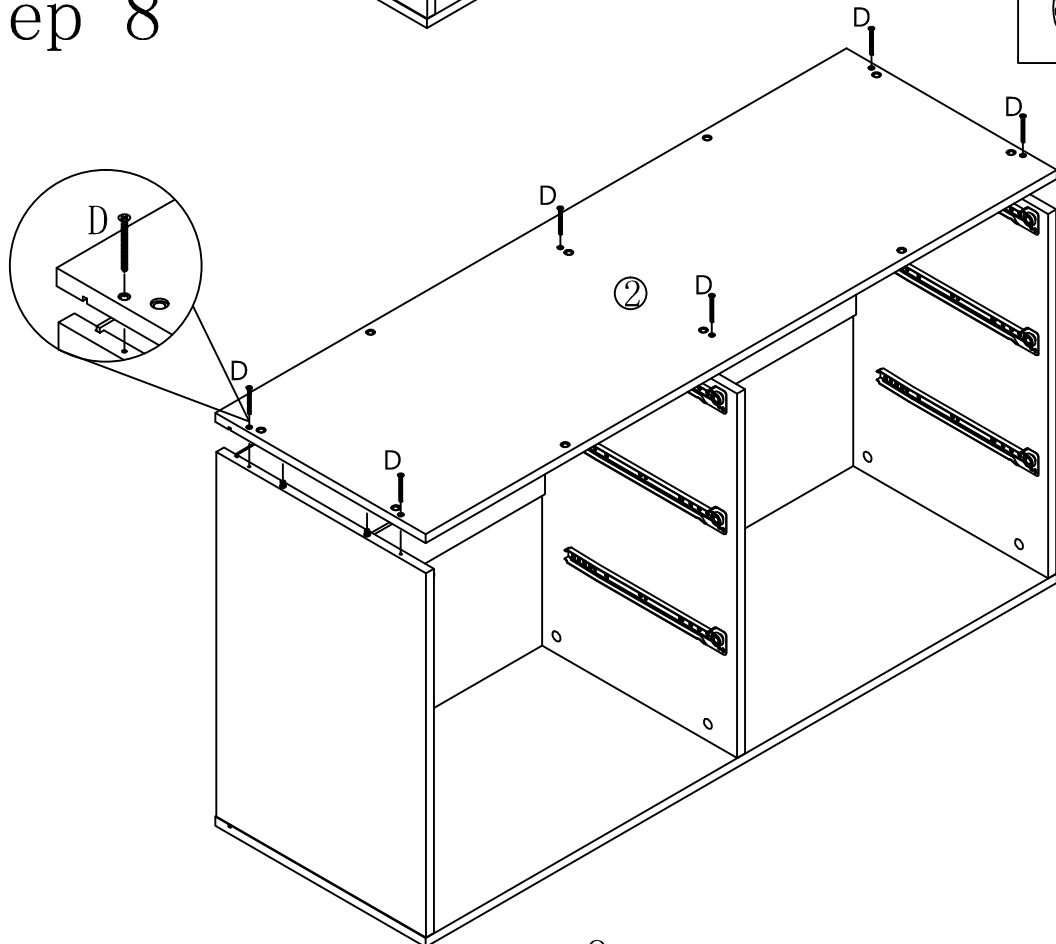
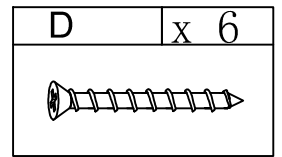




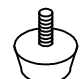


# Step 7

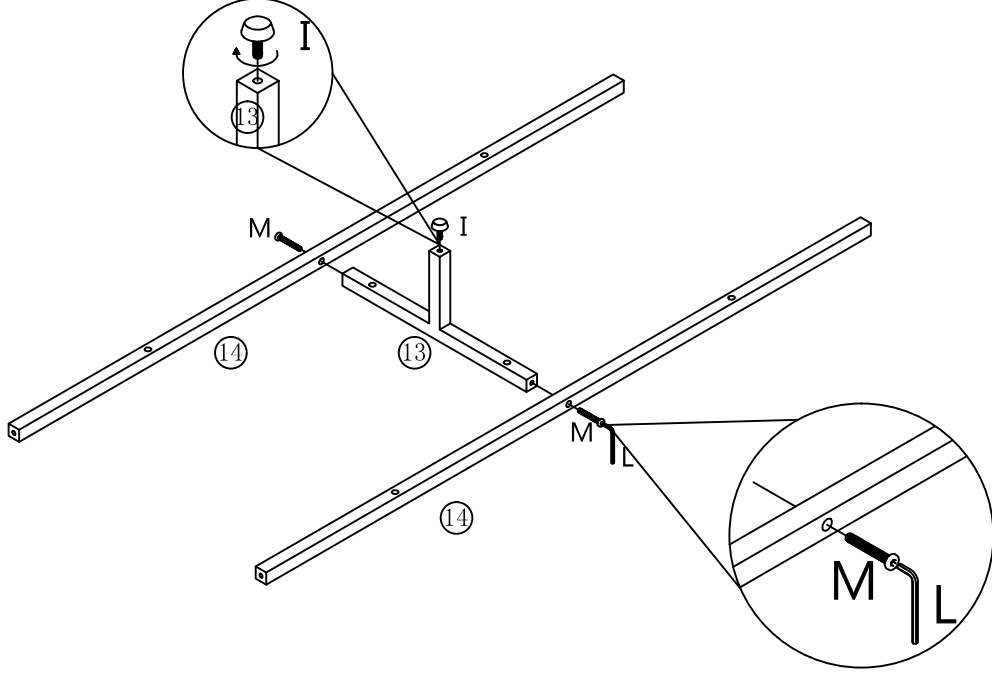


# Step 8





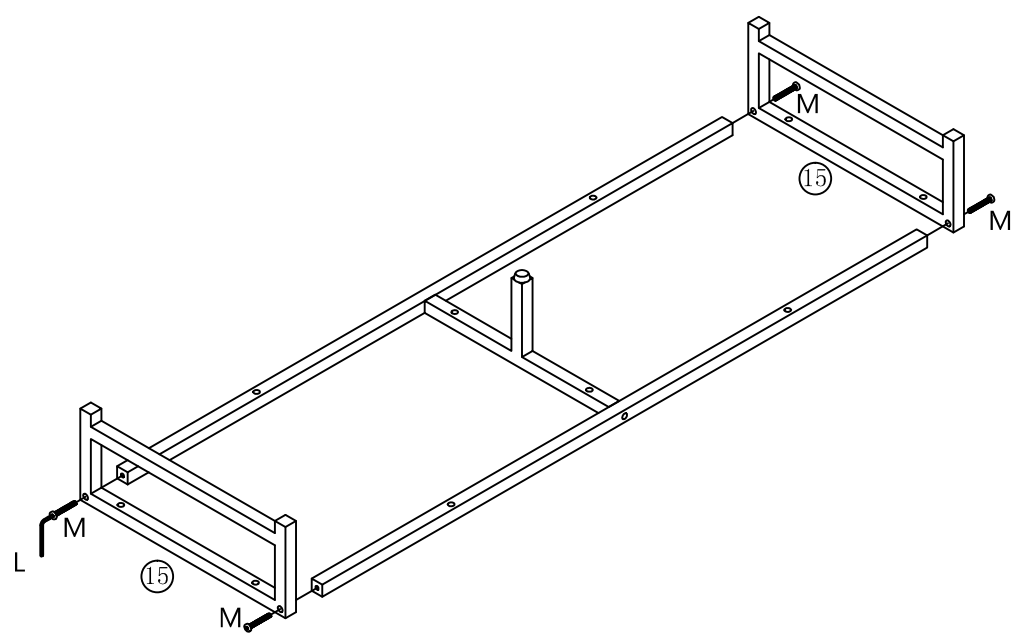
# Step 9

I	x 1	L	x 1	M	x 2
					

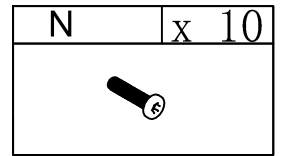
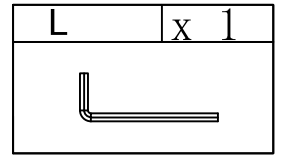
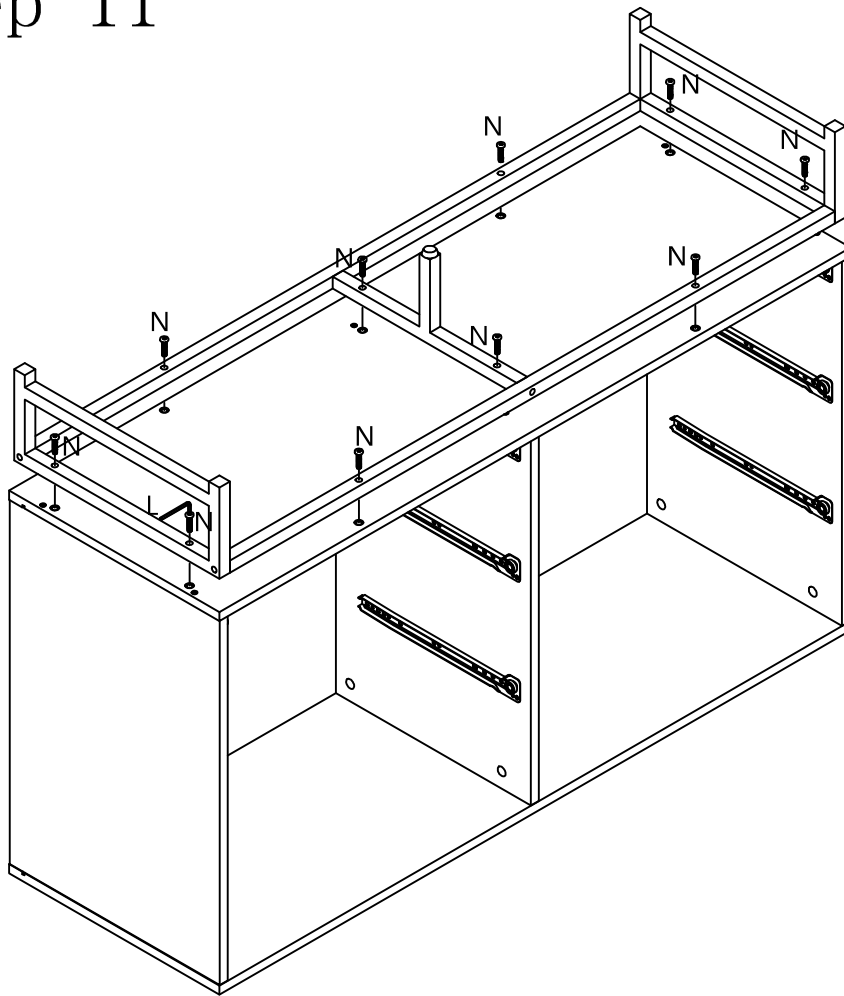


# Step 10

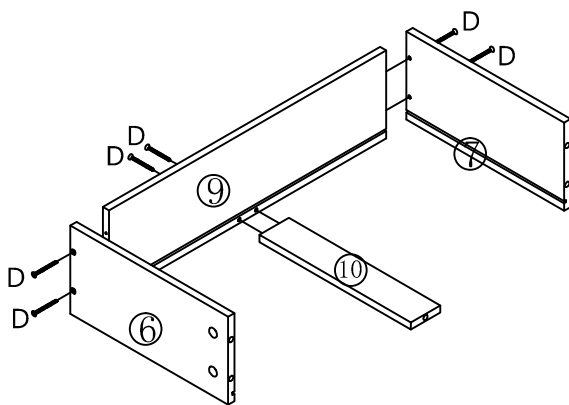
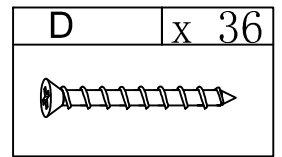
L	x 1	M	x 4
			



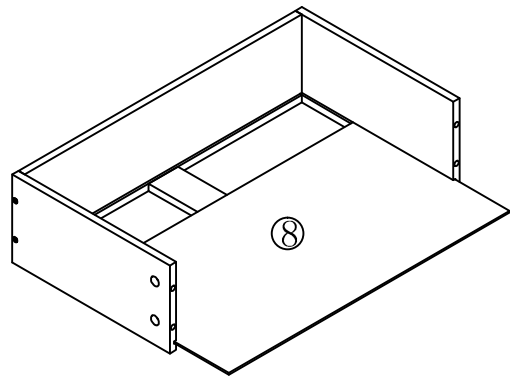
# Step 11



# Step 12

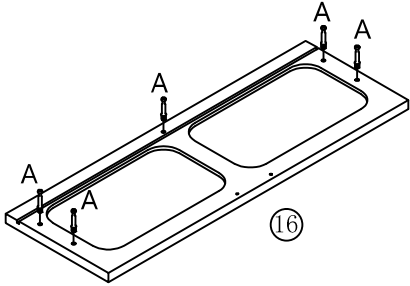
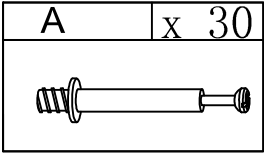


X 2

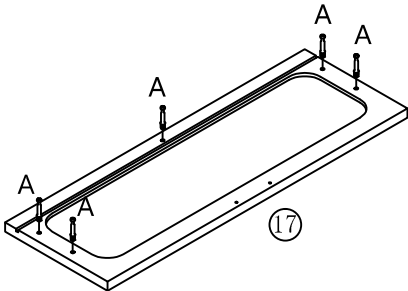


X 4

# Step 13

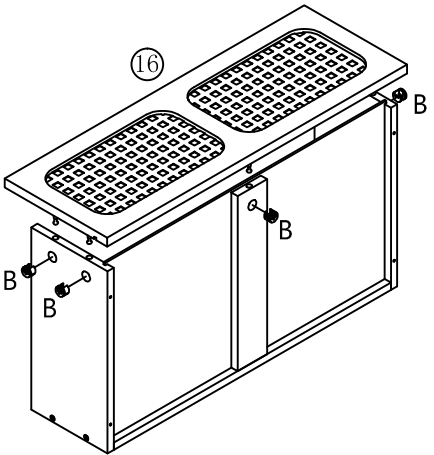
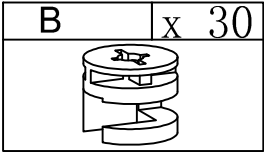


X 2

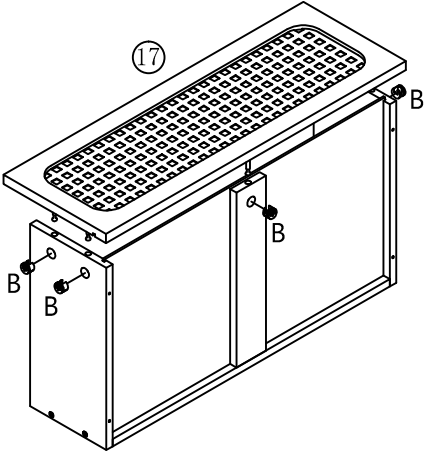


X 4

# Step 14


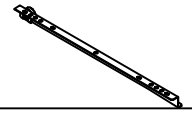
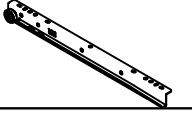


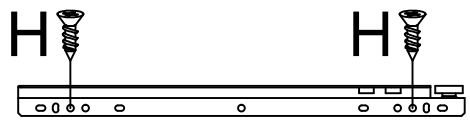
X 2



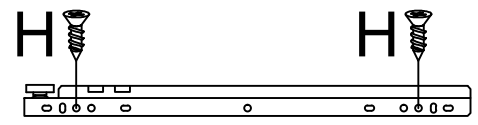
X 4

# Step 15

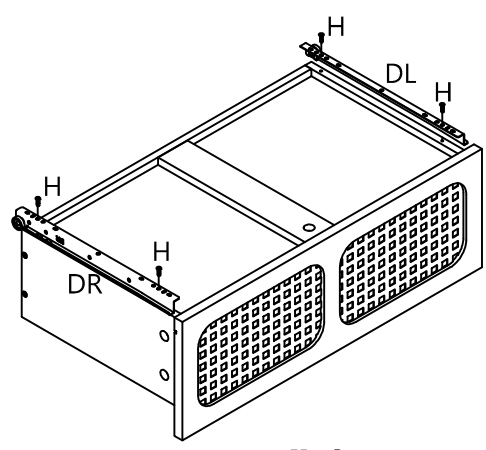
H	x 24	DL	x 6	DR	x 6
					



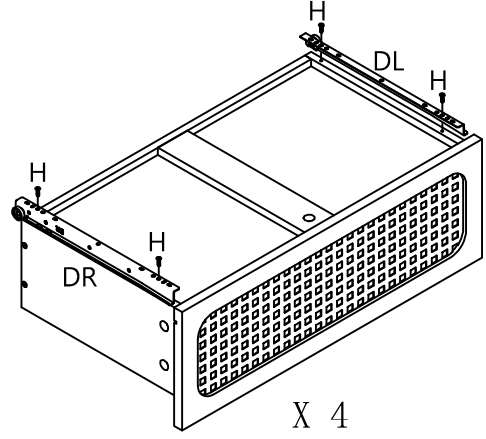
DL



DR


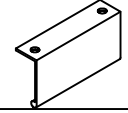


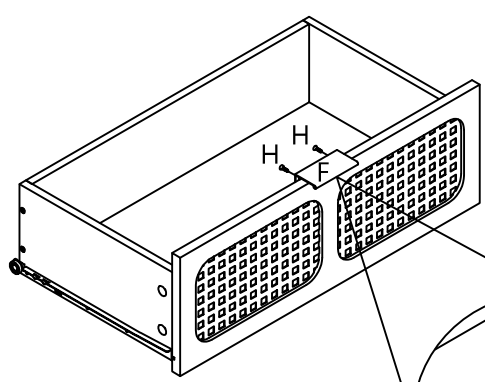
X 2



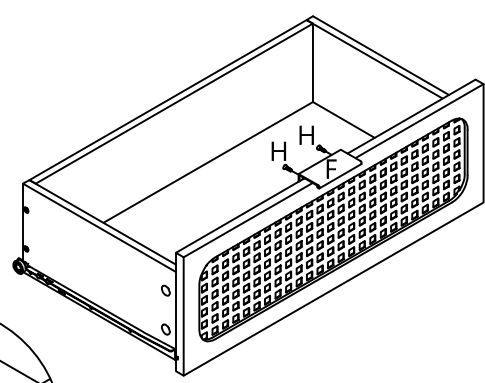
X 4

# Step 16

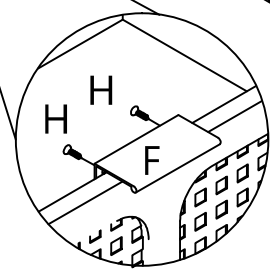
H	x 12	F	x 6
			



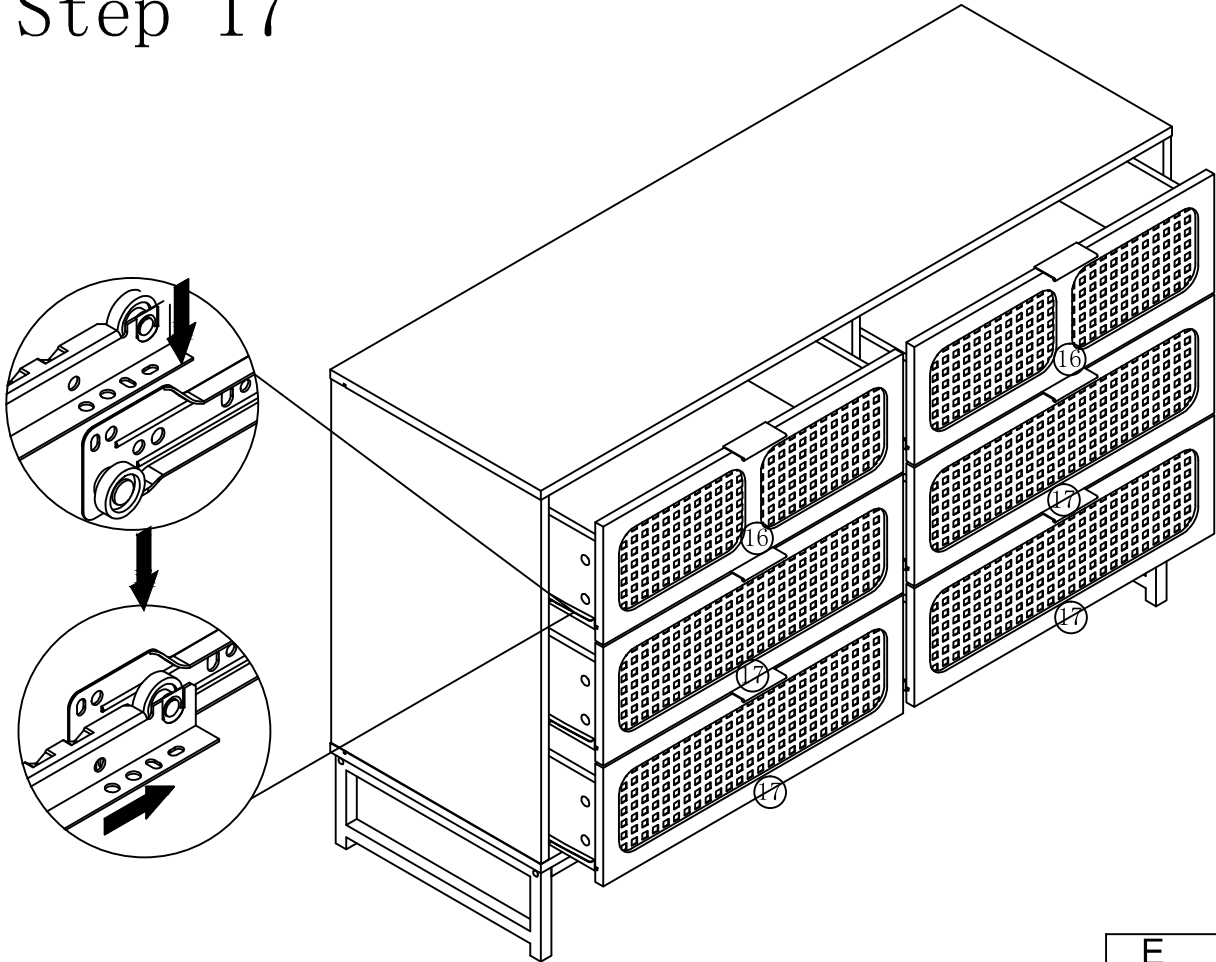
X 2



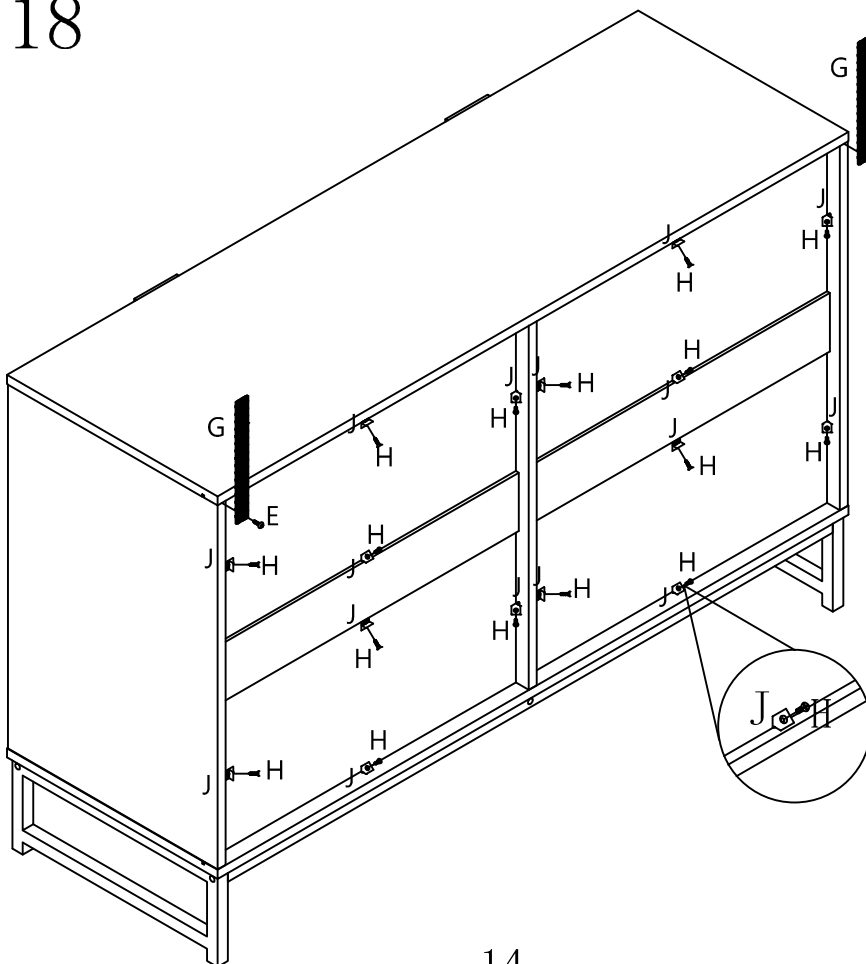
X 4

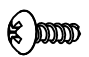
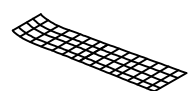

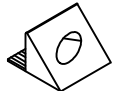


# Step 17

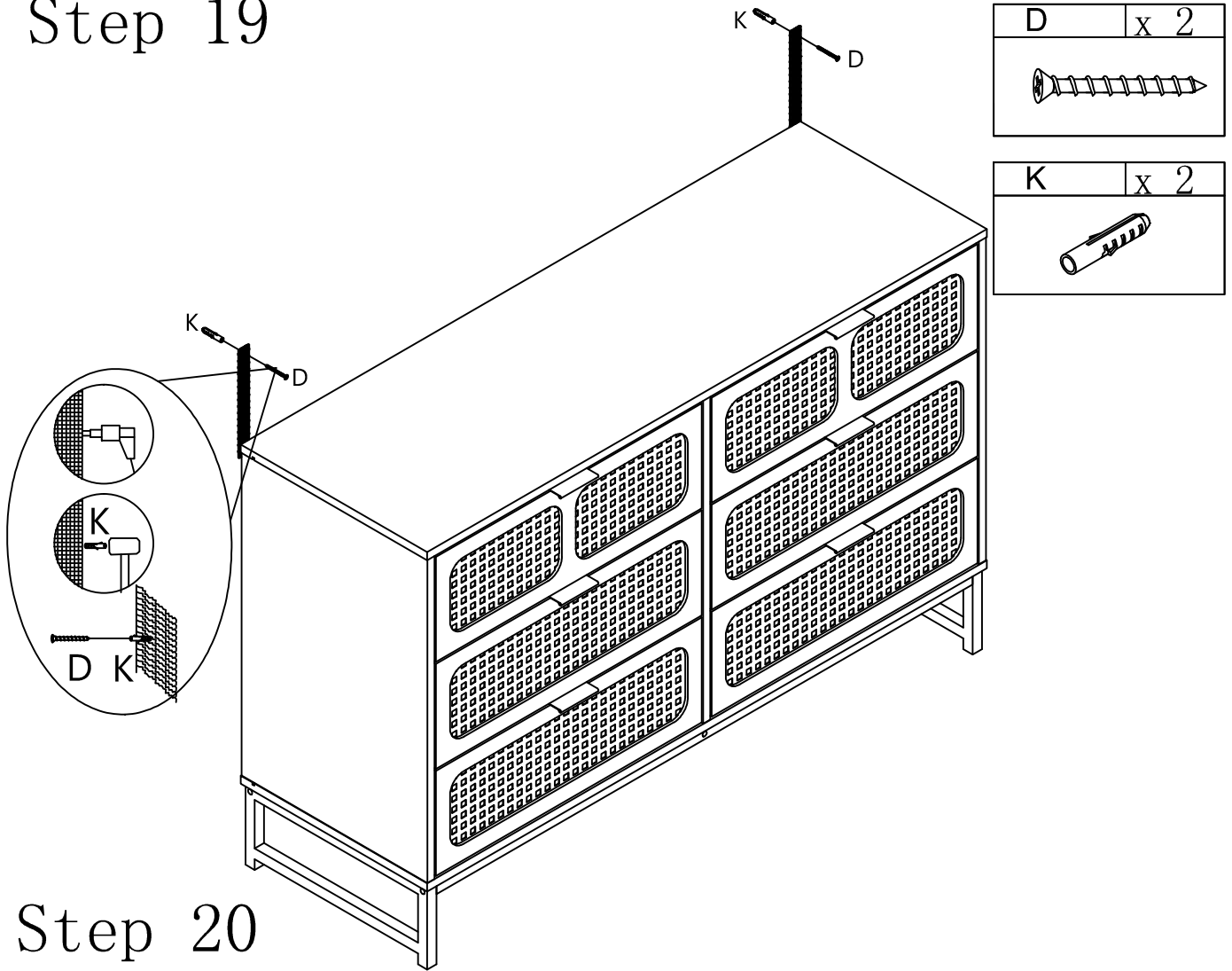


# Step 18



E	x 2
	
G	x 2
	
H	x 16
	
J	x 16
	

# Step 19



# Step 20

