

ASSEMBLY INSTRUCTIONS



Fine Furniture for every stage of life

GLIDER RECLINER

ASSEMBLY INSTRUCTIONS

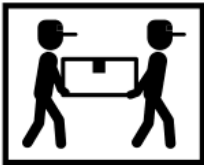
ASSEMBLY TIPS:

- 1.Remove hardware from box and sort by size.
- 2.Please check to see that all hardware and parts are present prior to start of assembly.
- 3.Please follow attached instruction in the same sequence as numbered to assure fast & easy assembly.



WARNING!

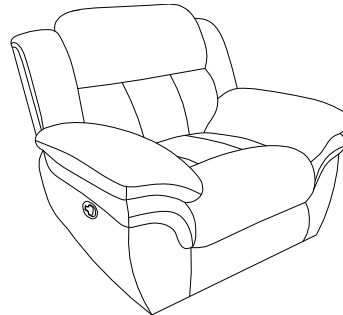
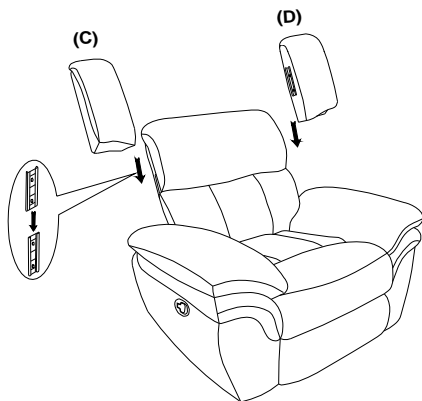
- 1.Don't attempt to repair or modify parts that are broken or defective. Please contact the store immediately.
- 2.This product is for home use only and not intended for commercial establishment.



ASSEMBLY TIME

2 MINUTES

PARTS IDENTIFICATION



A BACK

B BASE

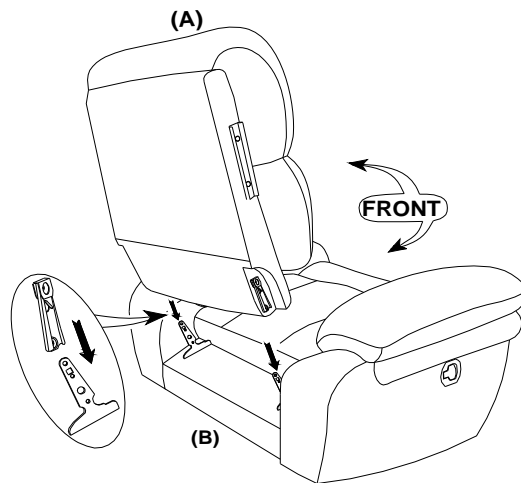
C LEFT EAR

D RIGHT EAR

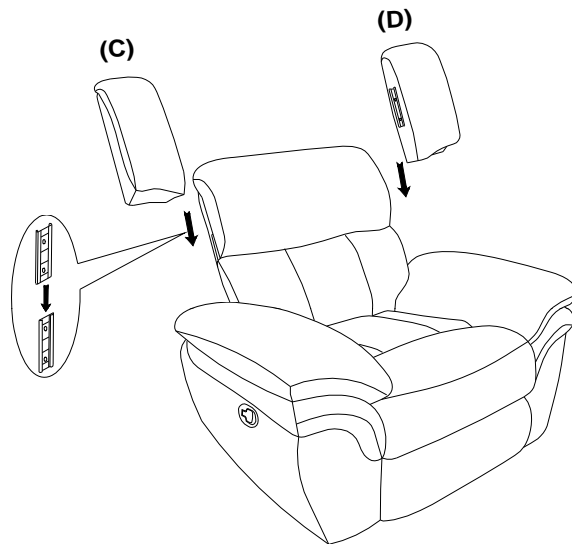


ASSEMBLY INSTRUCTIONS

STEP 1



STEP 2



STEP 3

