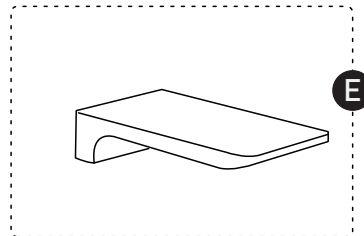
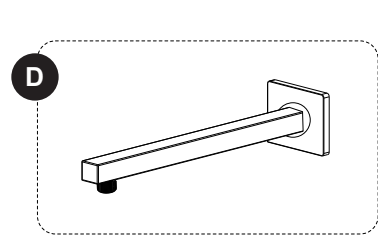
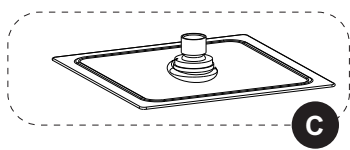
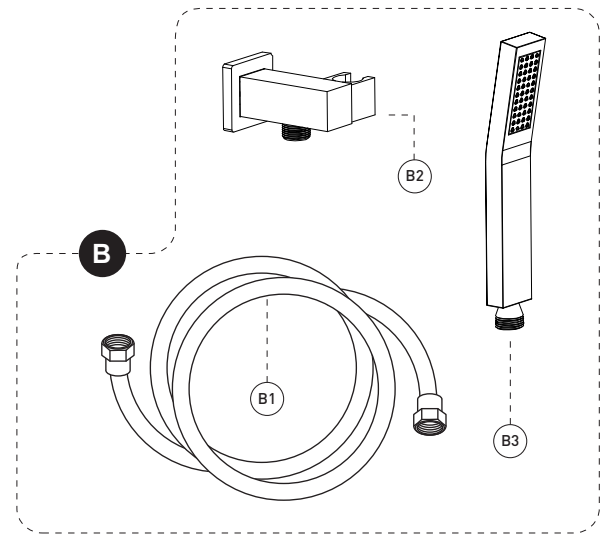
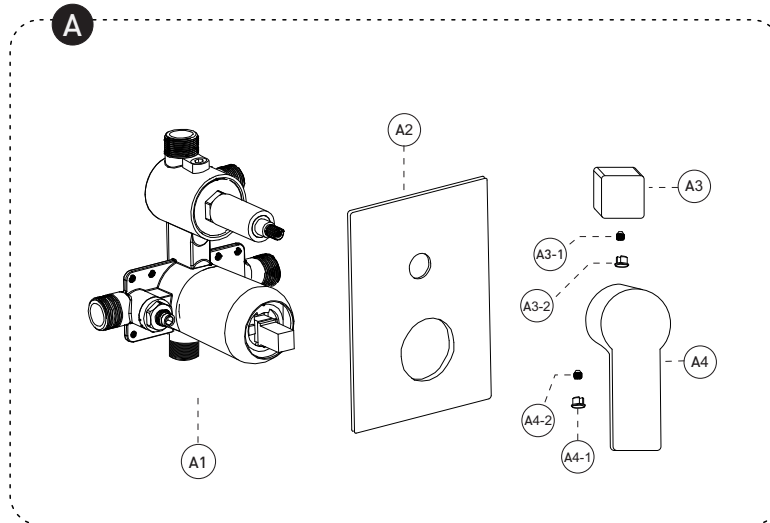
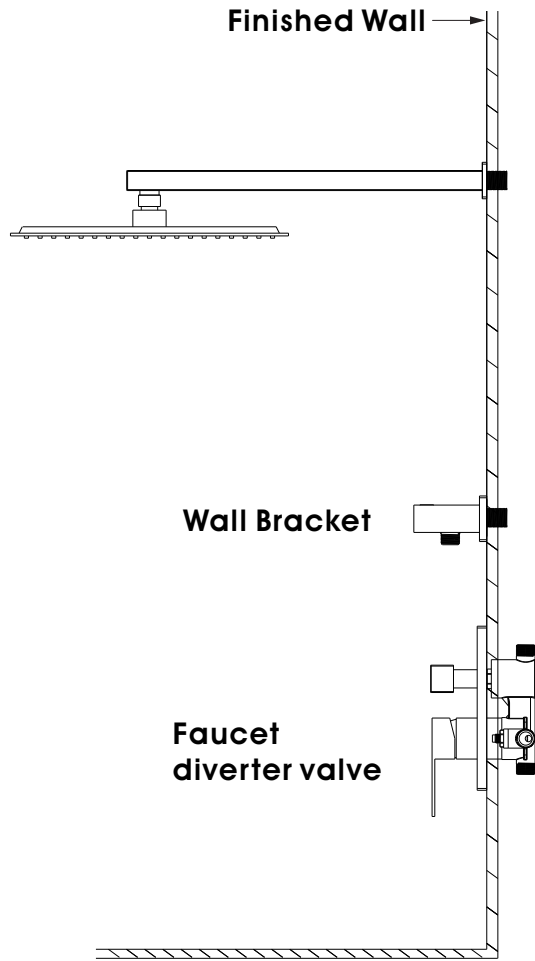


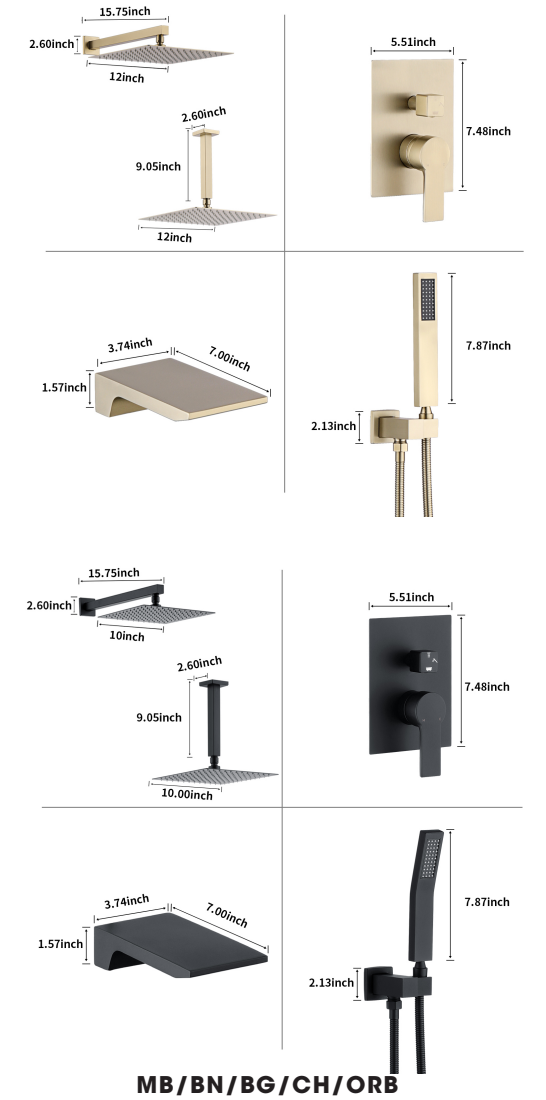
## PRODUCT DRAWING



No.	Description				
<b>A</b>	Pressure balanced diverter valve				
<b>A1</b>	Valve				
<b>A2</b>	Face plate with sealjoint				
<b>A3</b>	Diverter knob kit				
<b>A3-1</b>	Allen screw (A-3 included )				
<b>A3-2</b>	Trim cap (A-3 included )				
<b>A4</b>	Shower valve handle				
<b>A4-1</b>	Trim cap (A-4 included )				
<b>A4-2</b>	Allen screw (A-4 included )				
<b>B</b>	Handheld Shower Kit with Flexible Hose				
<b>B1</b>	Flexible hose				
<b>B2</b>	Wall Bracket				
<b>B3</b>	Handheld Shower				
<b>C</b>	Shower head				
<b>D</b>	Shower arm and flange kit				
<b>E</b>	Bathtub spout				
<b>Z</b>	Accessories Package				
<table border="1"> <thead> <tr> <th>For Repair And Warranty (Spare Parts)</th> <th>For Installation (Spare Parts)</th> </tr> </thead> <tbody> <tr> <td> </td> <td> </td> </tr> </tbody> </table>		For Repair And Warranty (Spare Parts)	For Installation (Spare Parts)		
For Repair And Warranty (Spare Parts)	For Installation (Spare Parts)				

## SHOWER SYSTEM FAUCET

Installation instruction



**MB/BN/BG/CH/ORB**

### CARE INSTRUCTIONS

Rinse the product with clear water. Dry the product with a soft cloth.

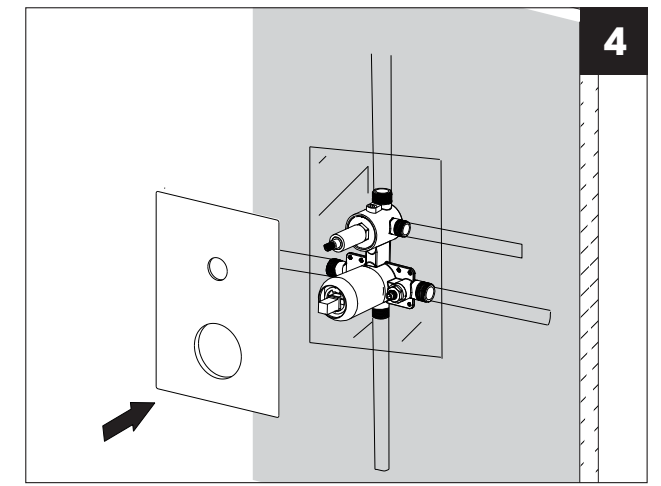
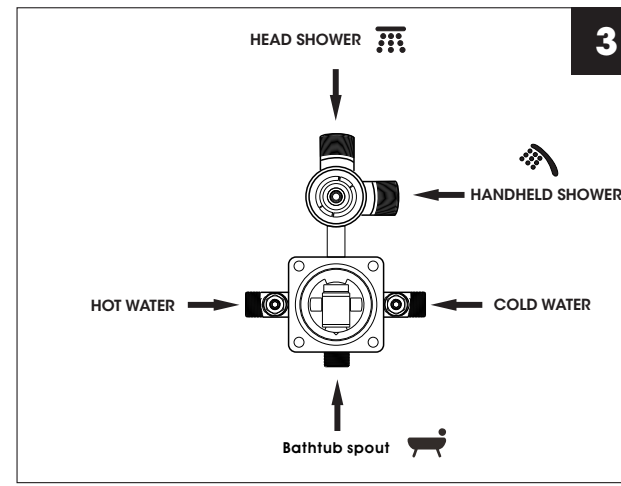
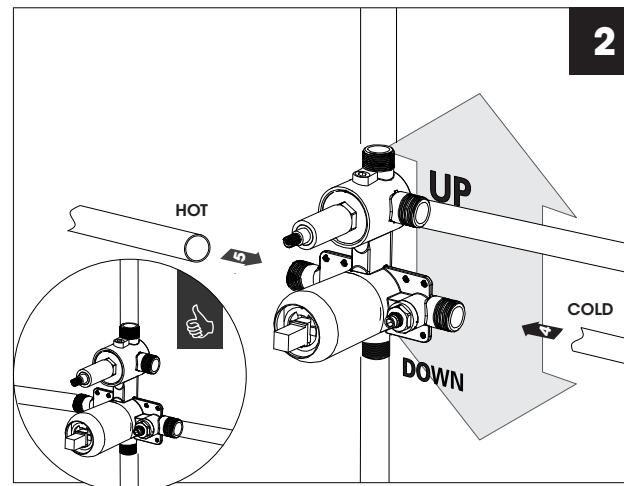
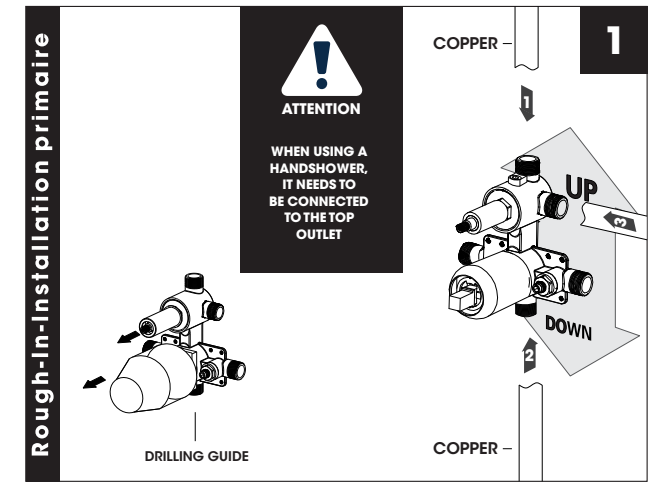
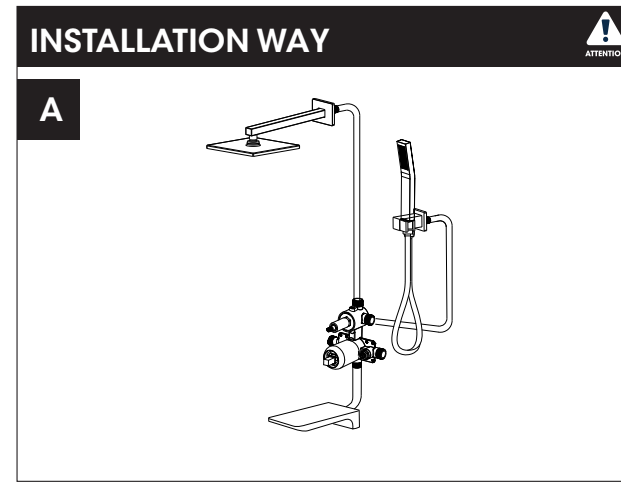
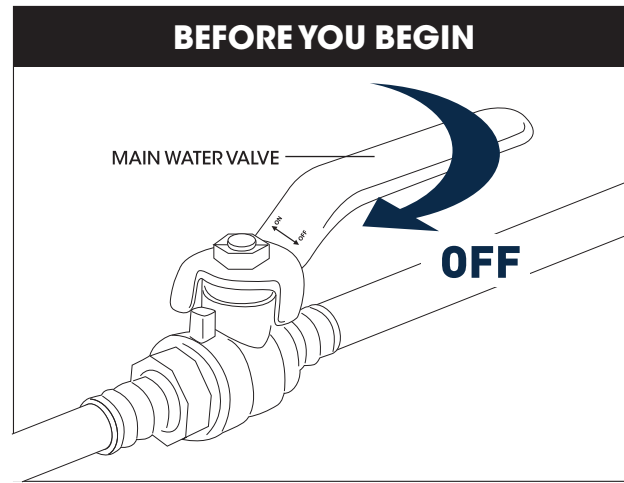
### DO NOT:

Use abrasive cleansers, cloths, or paper towels. Use any cleaning agents containing acid, polish, wax, alcohol, ammonia, bleach, solvent or any other corrosive or harsh chemical cleansers.

# INSTALLATION STEPS

## ! IMPORTANT

We recommend using a professional plumber for all installation and repair. Please inform yourself about the Canadian plumbing code's regulations and your local municipality plumbing codes before installation. The Canadian plumbing code requires the installation of surge arresting devices to eliminate water hammer, allow an adequate opening in order to easily access connections or other plumbing devices for maintenance or repair.



\* Apply plumber's putty under the plastic cover deck plate to seal your installation.  
Appliquez du mastic pour plombier sous la sous-plaque de plastique pour rendre votre installation étanche.

**CONNECTION ADVICE**

Firmly hand tighten the hose to the valve and add a quarter turn using the proper wrench. Tighten more if needed.

The model shown in the installation steps may differ from the one in box however connection type and installation steps are the same.

