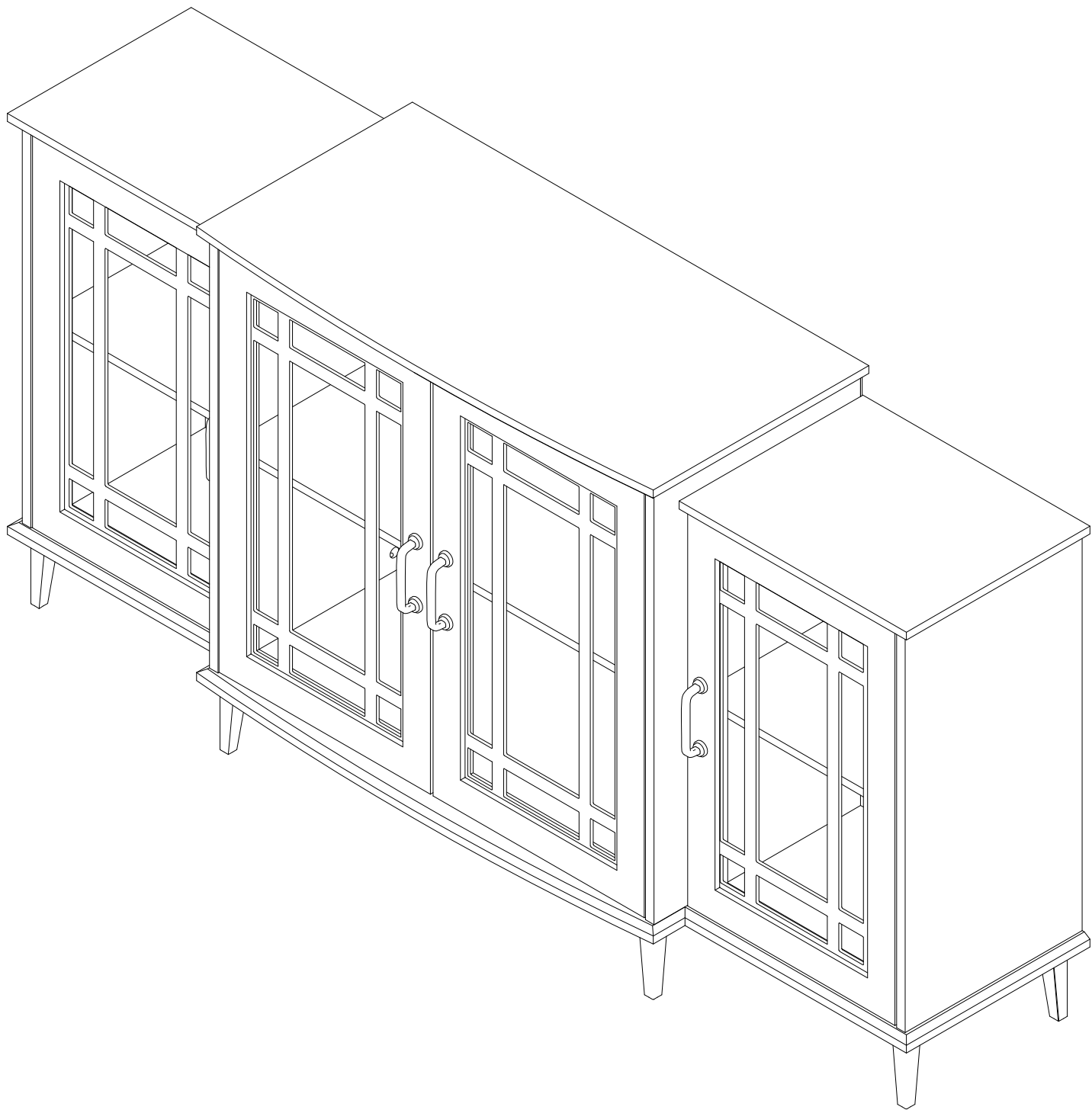


ASSEMBLY INSTRUCTIONS

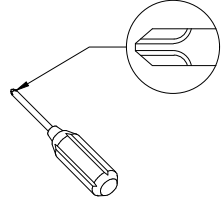
TV Stand



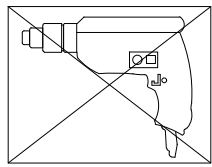
If you find any damage after opening, please be sure to take pictures of the damage and contact us. We will help you solve the problem as soon as possible.

General Assembly Guidelines

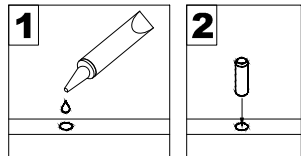
- I. Ensure that all parts and hardware are available before beginning assembly.
- II. Follow each step carefully to ensure the proper assembly of this product.
- III. Two people are recommended for ease in the assembly of this product.
- IV. The three main types of hardware used to assemble this product are : wood dowels , screws and bolts.
- V. A Phillips head screwdriver is required for the assembly of this product .



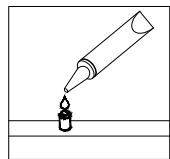
- VI. Power tools should not be used to assemble this product .



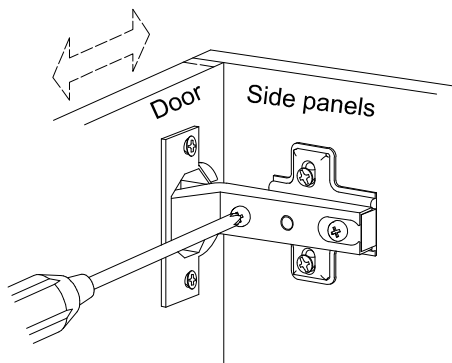
- VII. The provided glue is to secure wood dowels in place. When first inserting dowels, locate the appropriate hole for the dowel, place a small amount of glue in the hole and insert the dowel. Wipe away excess glue immediately.



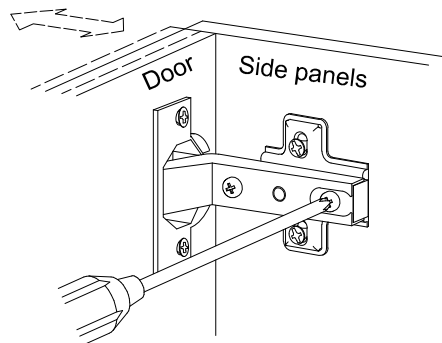
In future assembly steps when dowels are necessary to attach assembly parts together, place a small amount of glue on the end of the dowel before attaching parts together. Wipe away excess glue immediately.



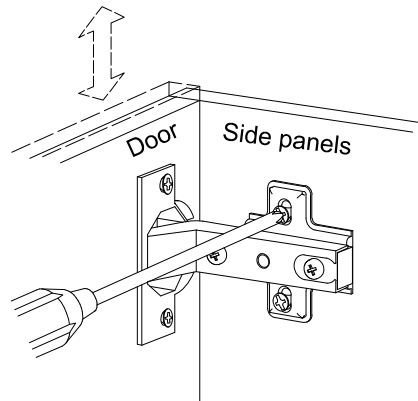
- VIII. Concealed hinges are three-way adjustable.



Horizontal
by screw adjustment

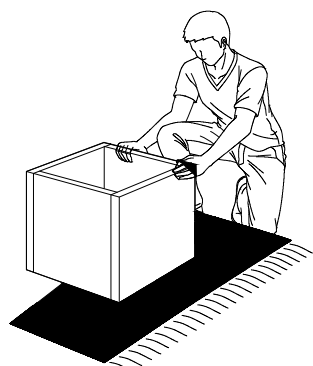


In-and-Out
by loosening the hinge-arm
mounting screw or via cam
adjustment

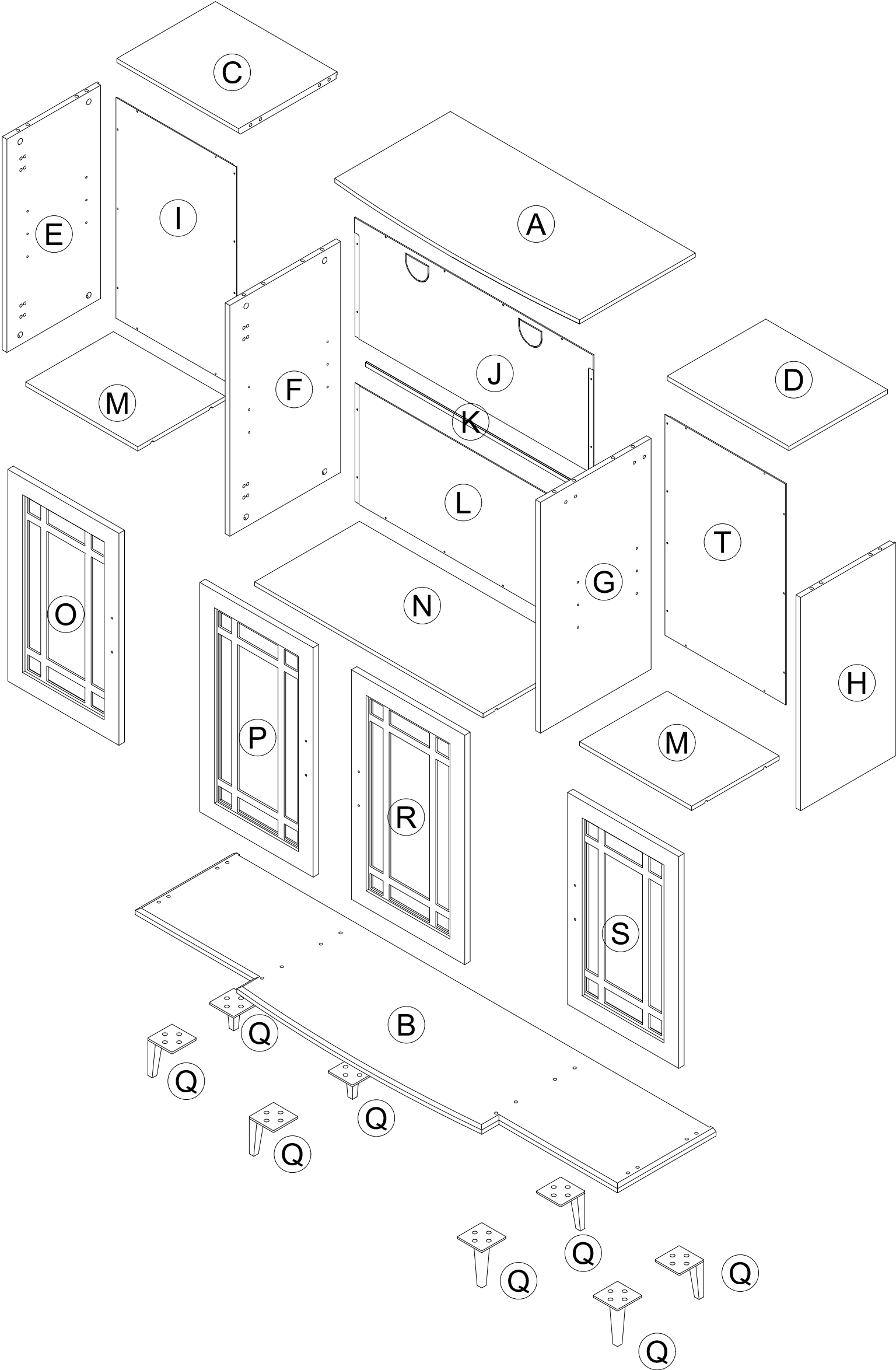


Vertical
Via slots in the mounting
plate or via cam adjustment


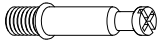


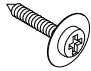
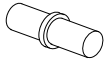
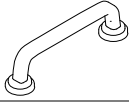
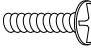
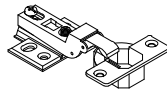
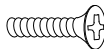
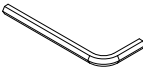
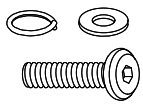




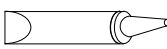
- VIII. Assemble the furniture on empty carton, carpet, or rug to prevent scratches or damage.

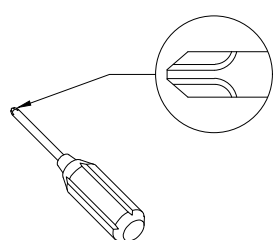


Parts List



Hardware List


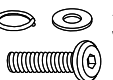
1		Ø8x30	Wooden dowel	20 pcs
2		Ø6x32	Cam bolt	20 pcs
3		Ø15x9.5	Cam lock	20 pcs
4			Sticker	20 pcs
5		Ø3x12	Screw	30 pcs
6			Shelf support pin	12 pcs
7			Handle	4 pcs
8		Ø4x18	Handle bolt	8 pcs
9			Hinge	8 pcs
10		Ø4x12	Bolt	48 pcs
11		M4 mm	wrench	1 pcs
12		M6x15mm	Bolt	32 pcs
13			Strap	2 pcs
			Nut	2 pcs
		Ø3x16	Screw	2 pcs
		Ø4x25	Screw	2 pcs
14			Glue tube	1 pcs

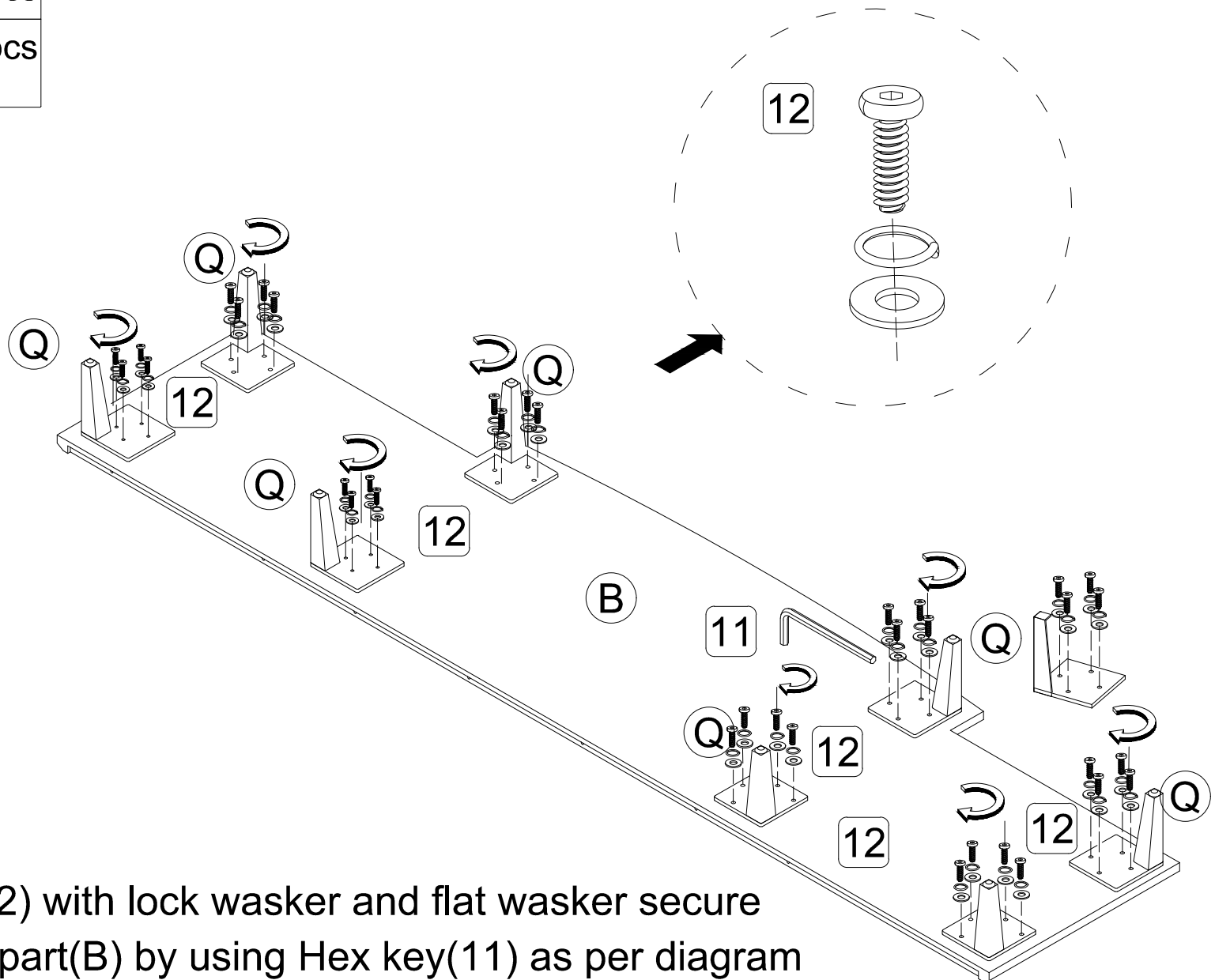


Philips head screwdriver required for assembly
(not included)

*The hardware quantities listed above are required for proper assembly.
Some extra hardware may also have been included.*


Step 1

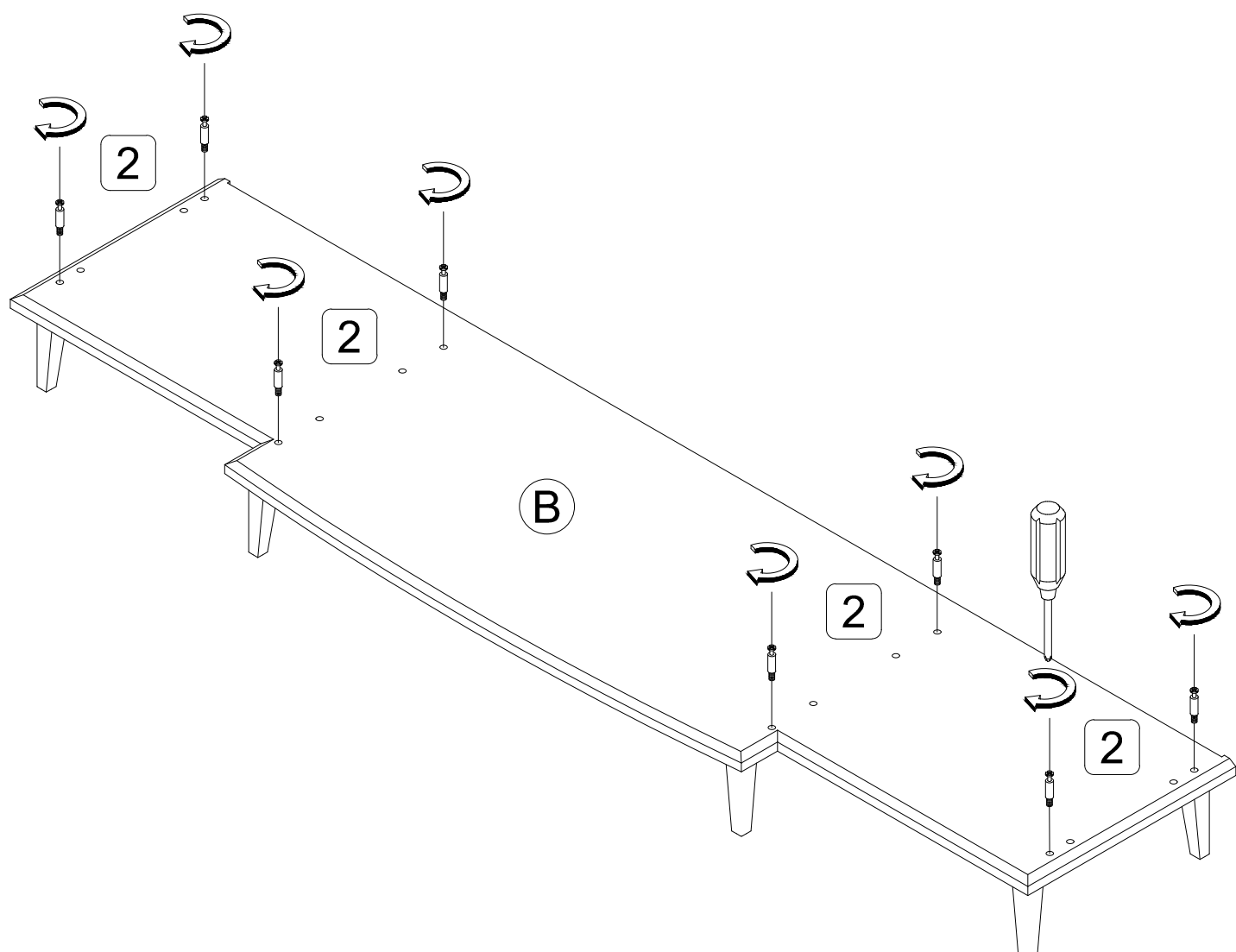
- 11:  1 pcs
12:  32 pcs



Use bolt(12) with lock washer and flat washer secure part(Q) to part(B) by using Hex key(11) as per diagram

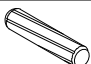
Step 2

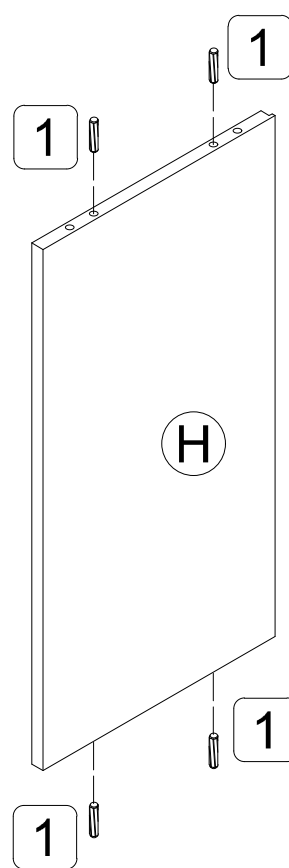
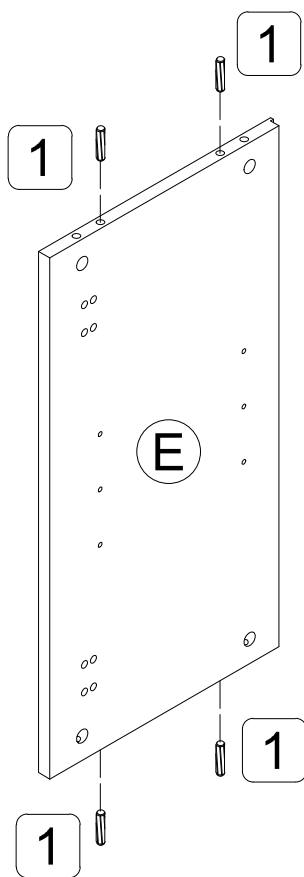
- 2:  8 pcs



Screw cam bolts (2) into bottom panels (B).

Step 3

1:  8 pcs

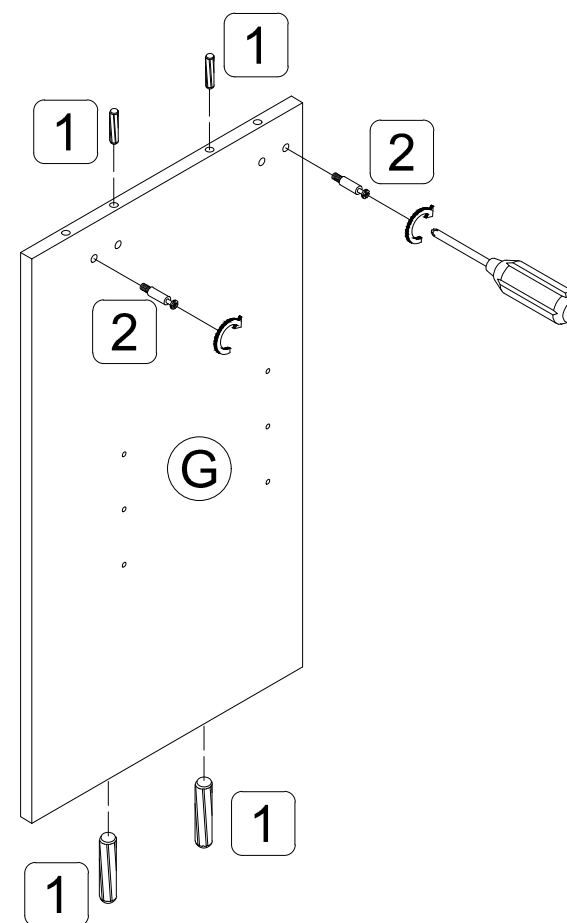
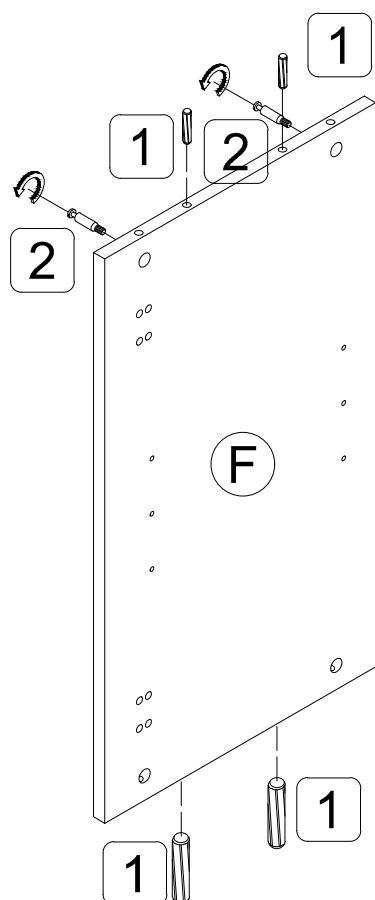


Insert wooden dowels (1) into panels (E,H).

Step 4



2:  4 pcs

1:  8 pcs

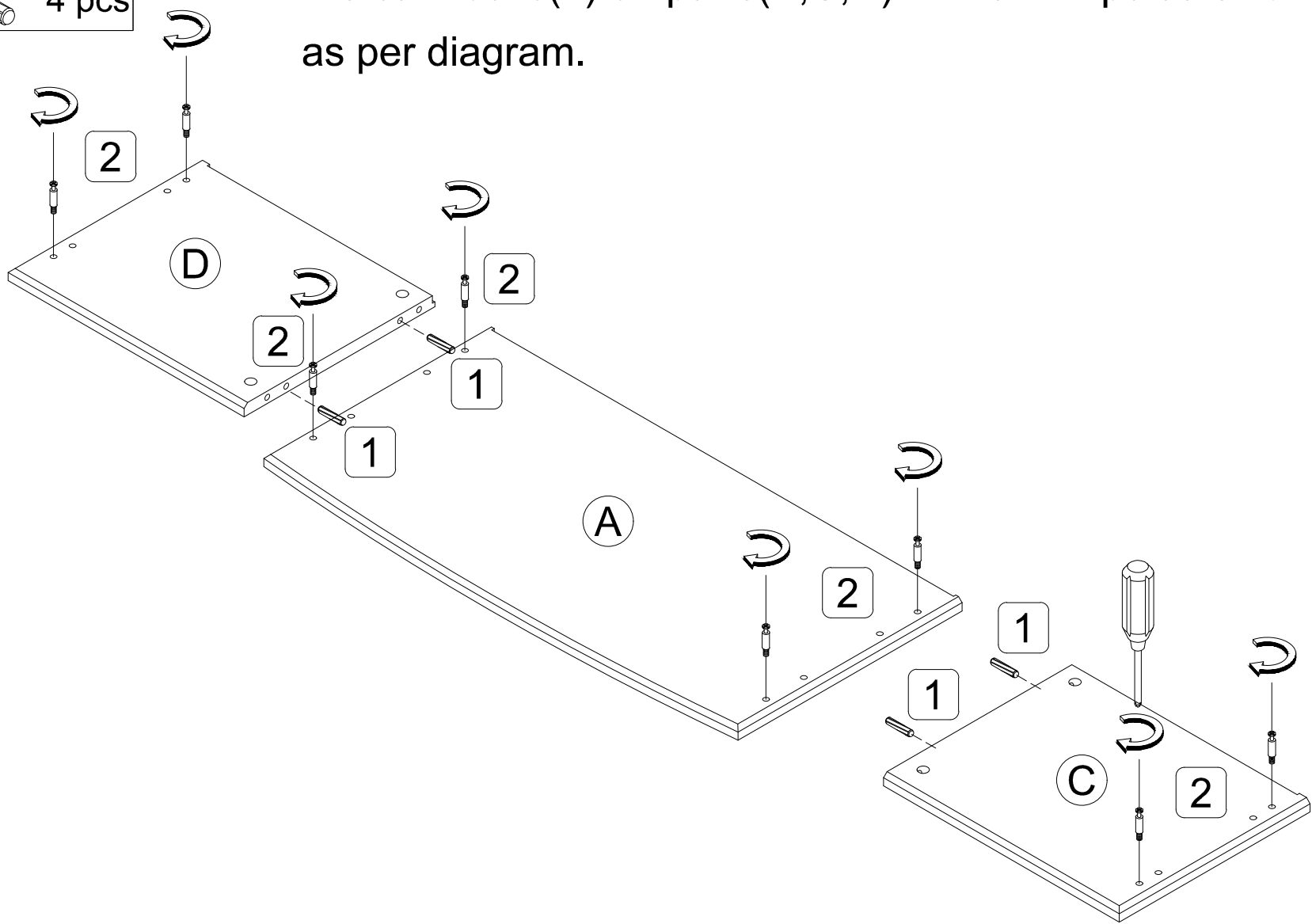


Insert wooden dowels (1) into parts(F,G). Securely screw the cam bolts(2) on parts(F,G) with a Philips screwdriver as per diagram.


Step 5

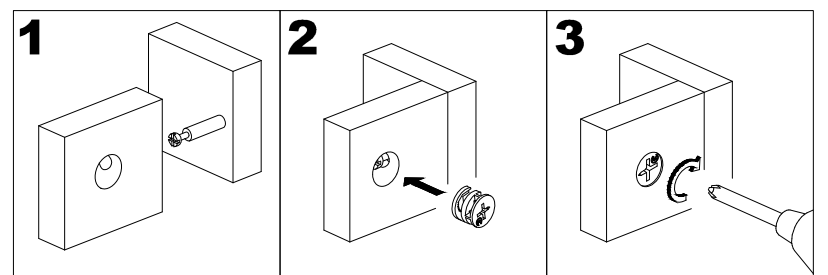
- | | | |
|----|---|-------|
| 2: |  | 8 pcs |
| 1: |  | 4 pcs |

Insert wooden dowels(1) into parts(C,D). Securely screw the cam bolts(2) on parts(A,C,D) with a Philips screwdriver as per diagram.

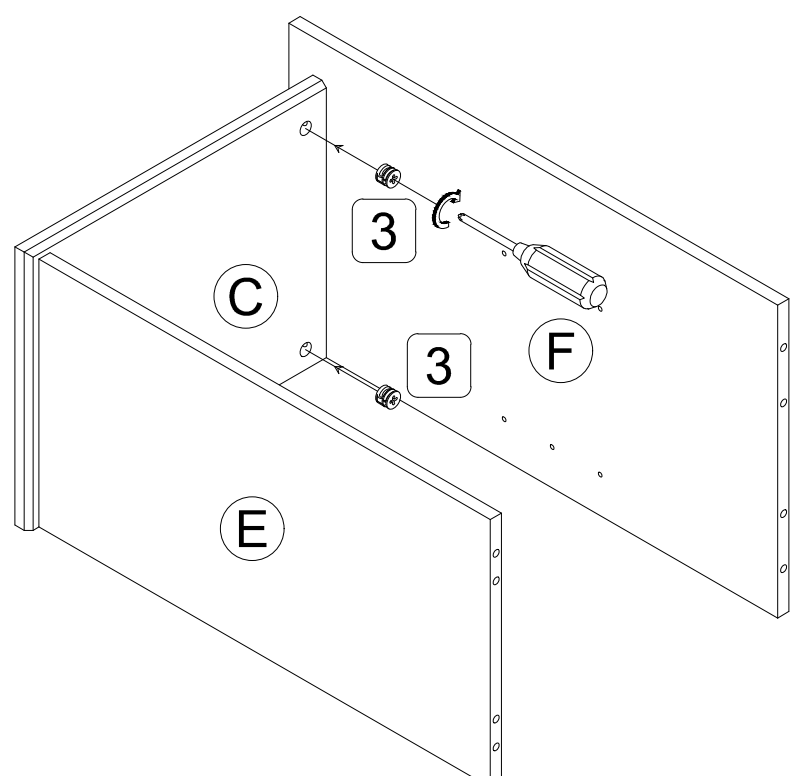
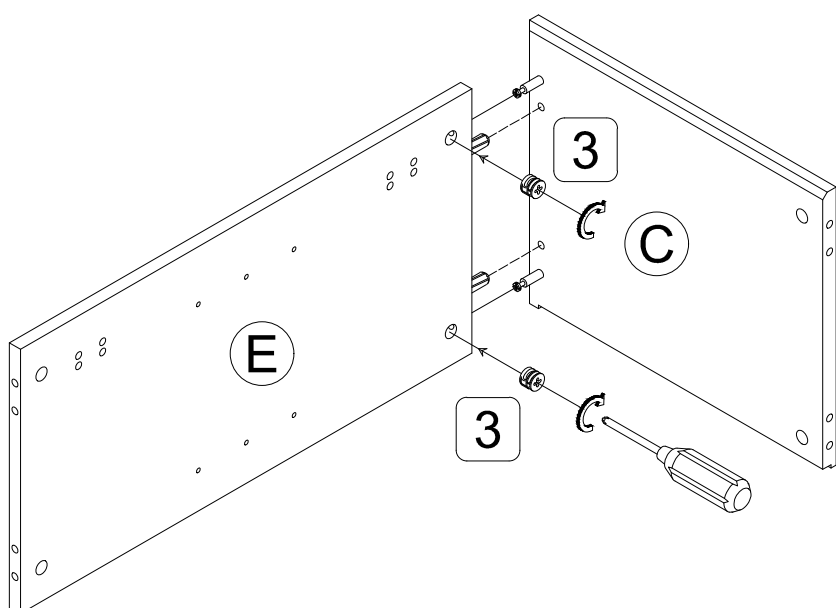


Step 6

- | | | |
|----|---|-------|
| 3: |  | 4 pcs |
|----|---|-------|



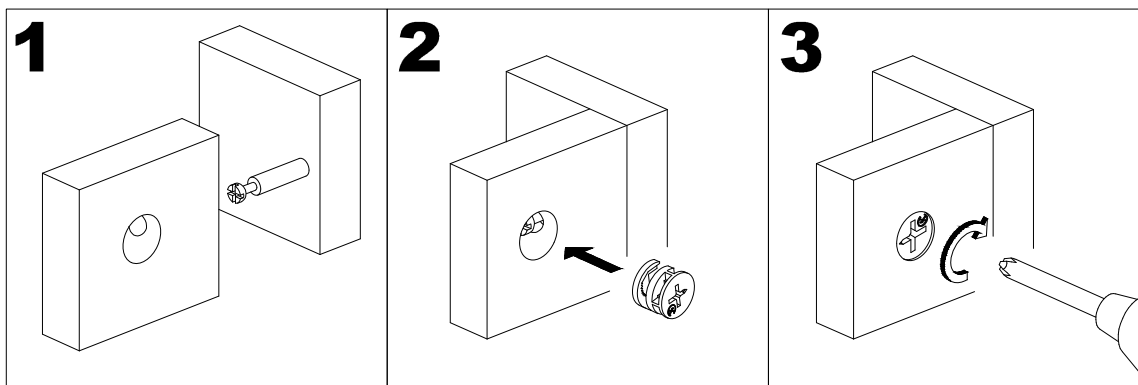
Note: Please don't over-tighten the cam lock otherwise it will be broken.



Using cam locks(3) attach part (C) to part(E) and then using cam locks(3)attach the other side of part (C) to part (F)with a Philips screwdriver as per diagram.

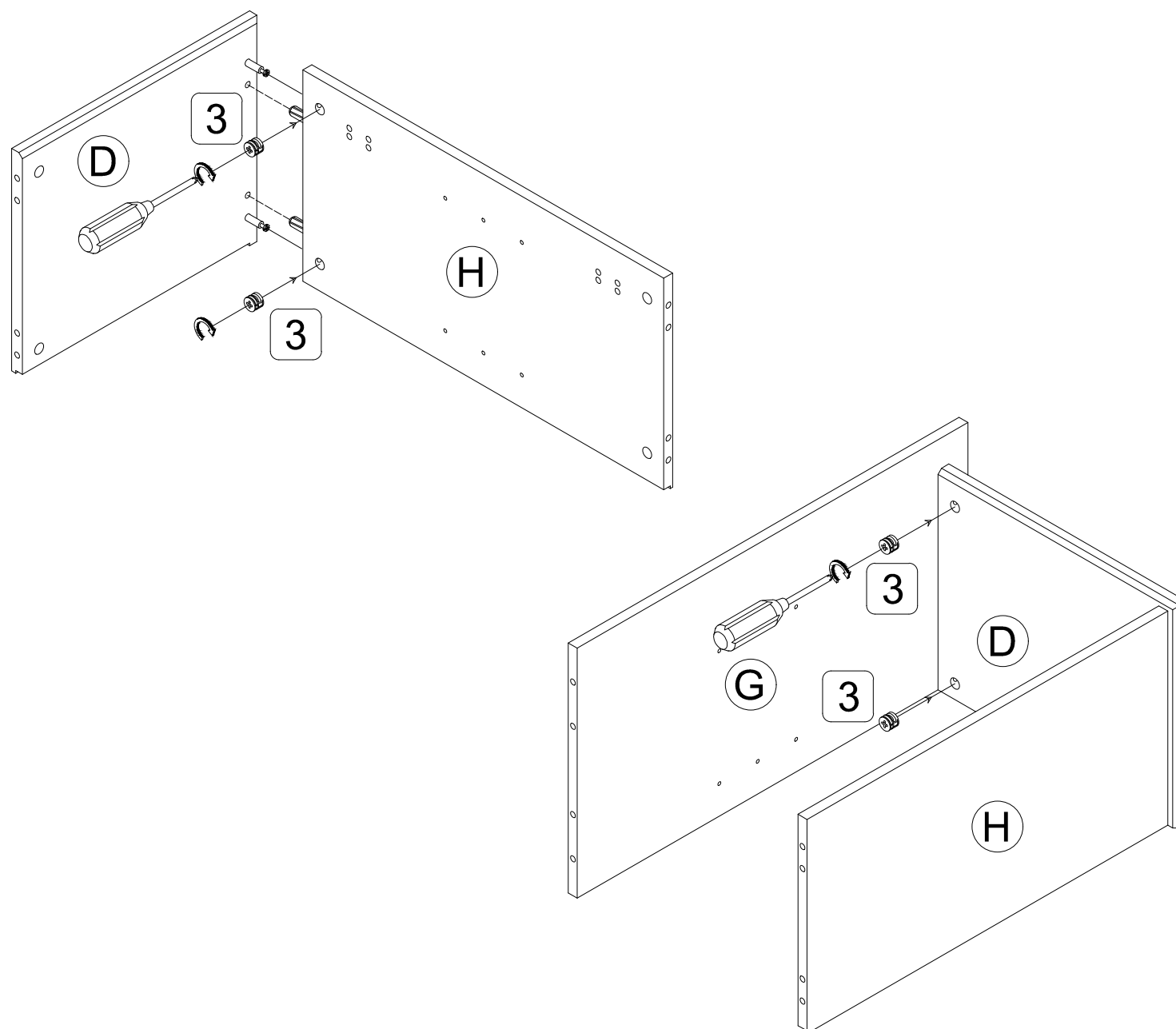
Step 7

3:  4 pcs



Note:

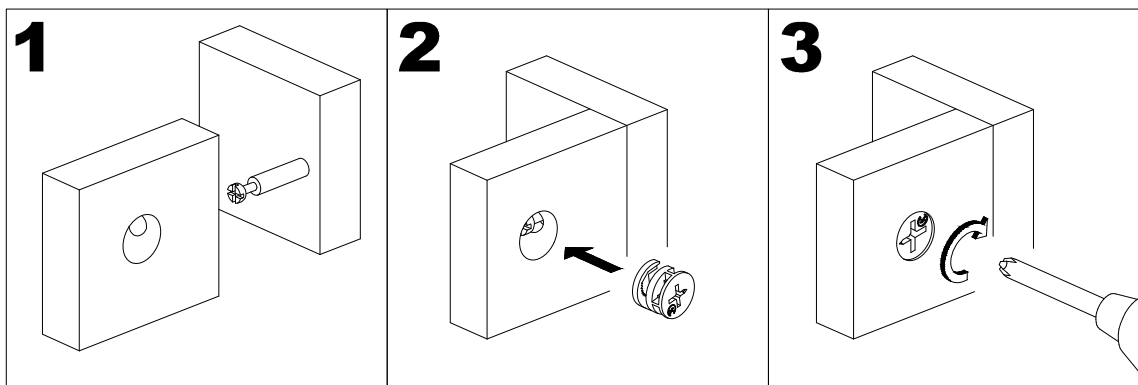
Please don't over-tighten the cam lock, otherwise, it will be broken.



Using cam locks(3) attach part (D) to part(H)
and then using cam locks(3)attach the other
side of part (D) to part (G)with
a Philips screwdriver as per diagram.

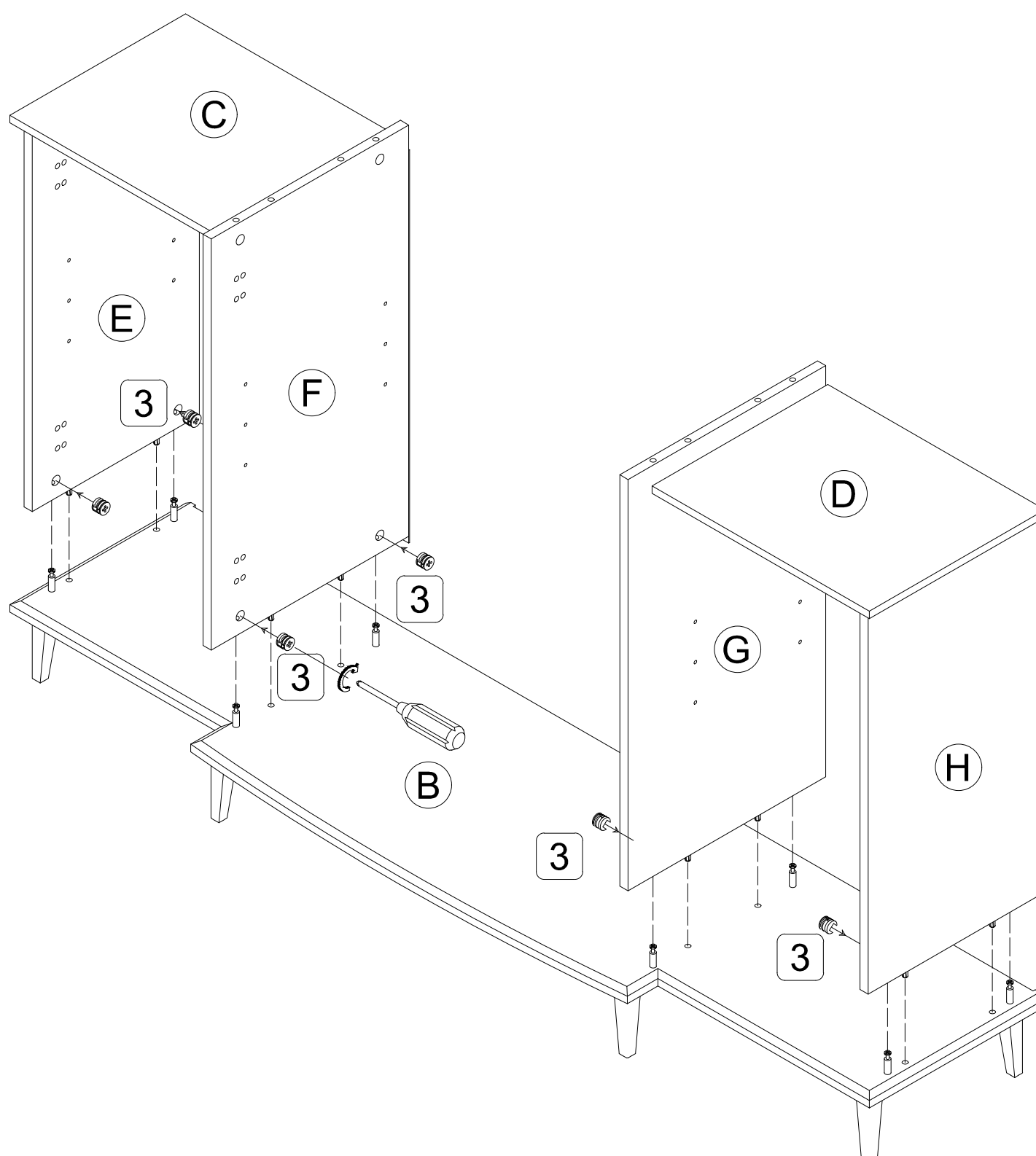
Step 8

3:  8 pcs



Note:

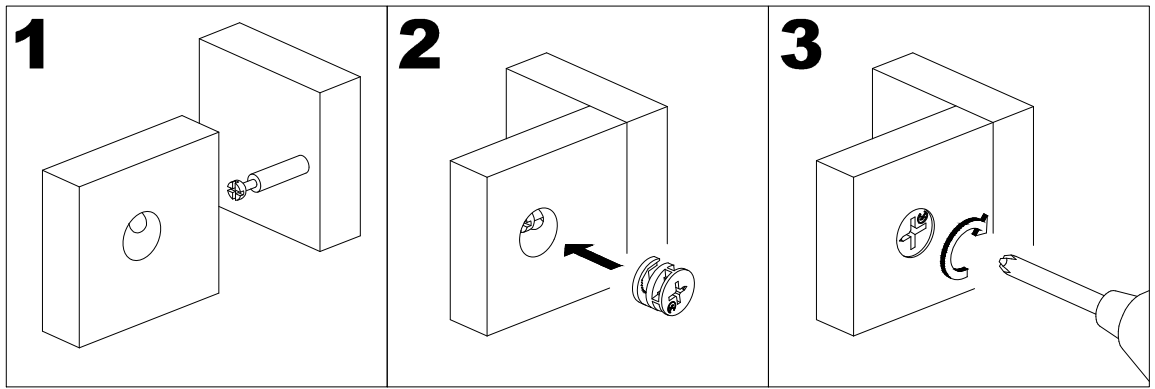
Please don't over-tighten the cam lock, otherwise, it will be broken.



Attach panels (E,F,G,H) to bottom panel (B) using cam bolts and dowels as guides. Insert cam locks (3) into panels (E,F,G,H) and tighten with a screwdriver

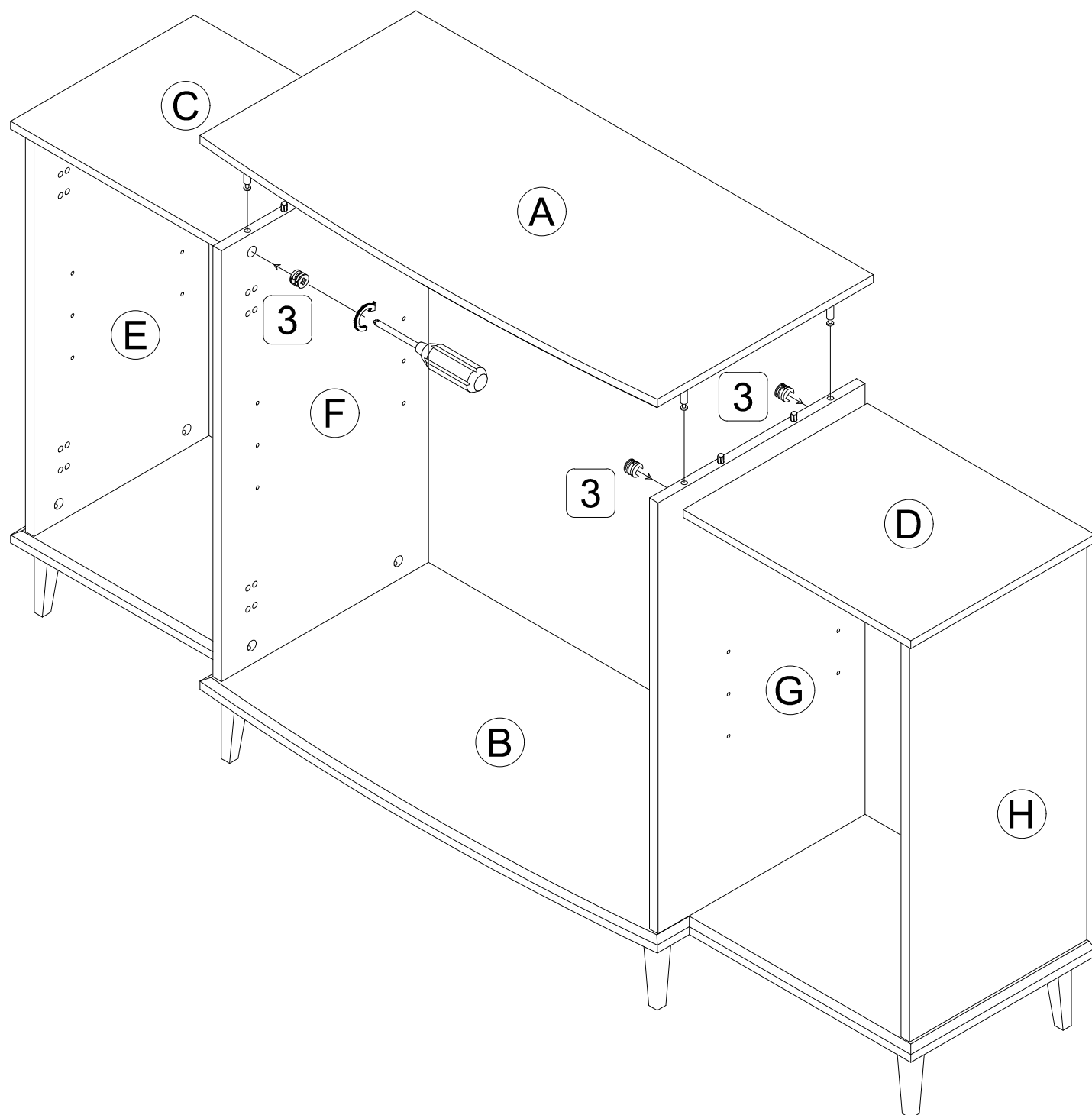
Step 9

3:  4 pcs



Note:

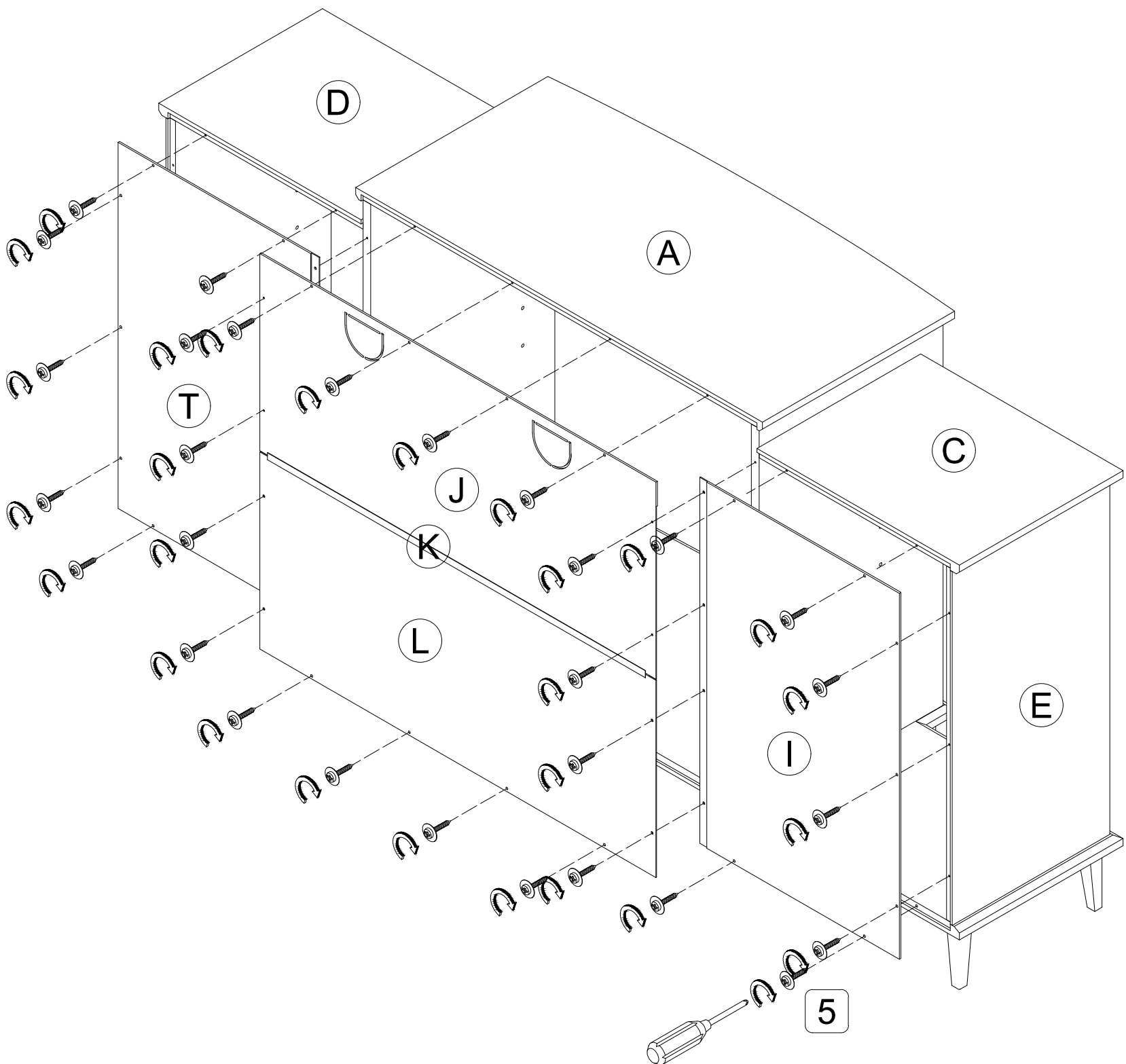
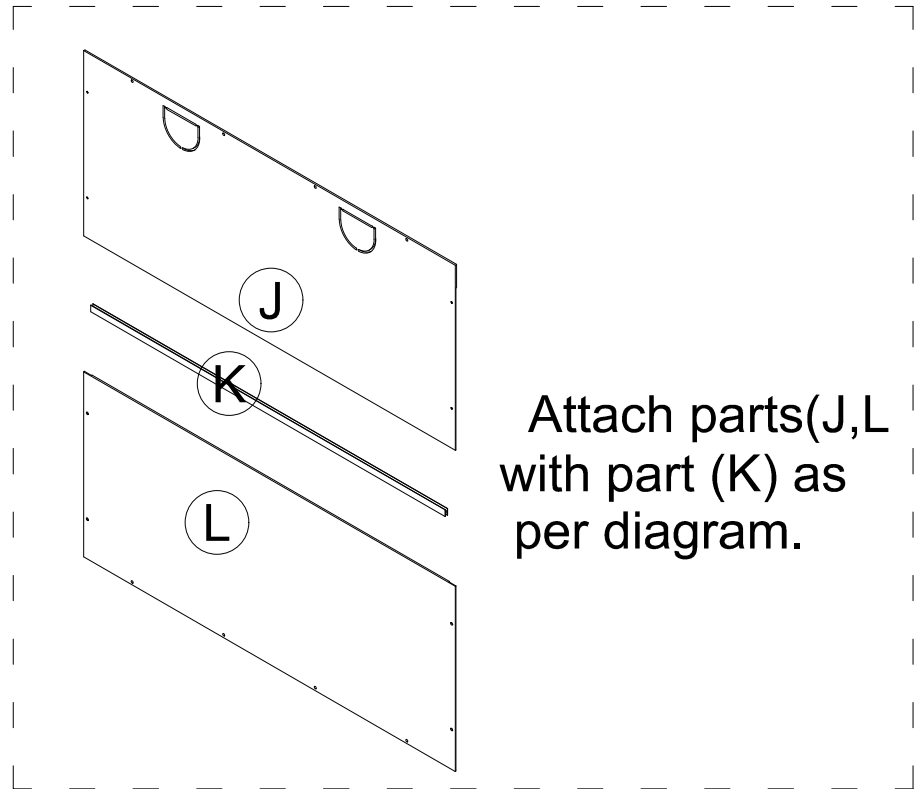
Please don't over-tighten the cam lock, otherwise, it will be broken.



Attach top panel (A) to the assembly using cam bolts and dowels as guides. Tighten cam locks (3) with a screwdriver.

Step 10

5:  30 pcs

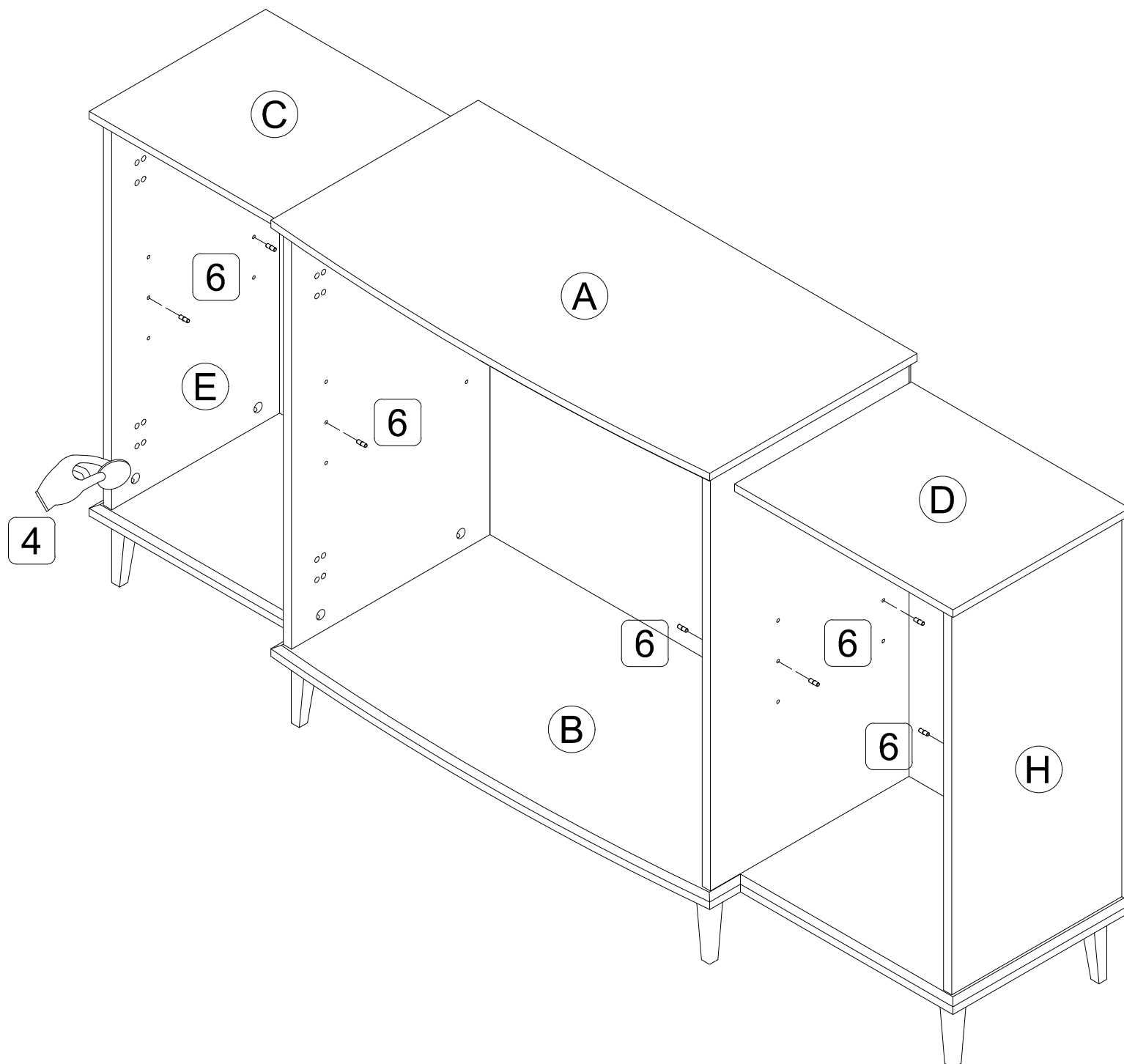
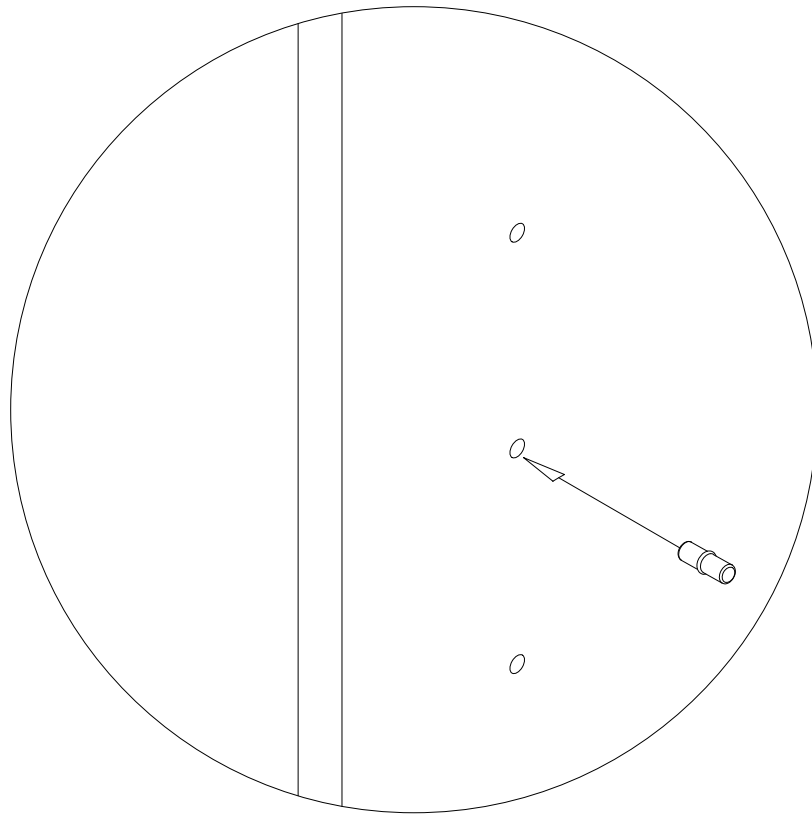


Attach back panels (I,J,K,L,T) to the assembly from the previous step using screws (5). Note that back panels (J,K,L) will overlap back panel (I).

Step 11

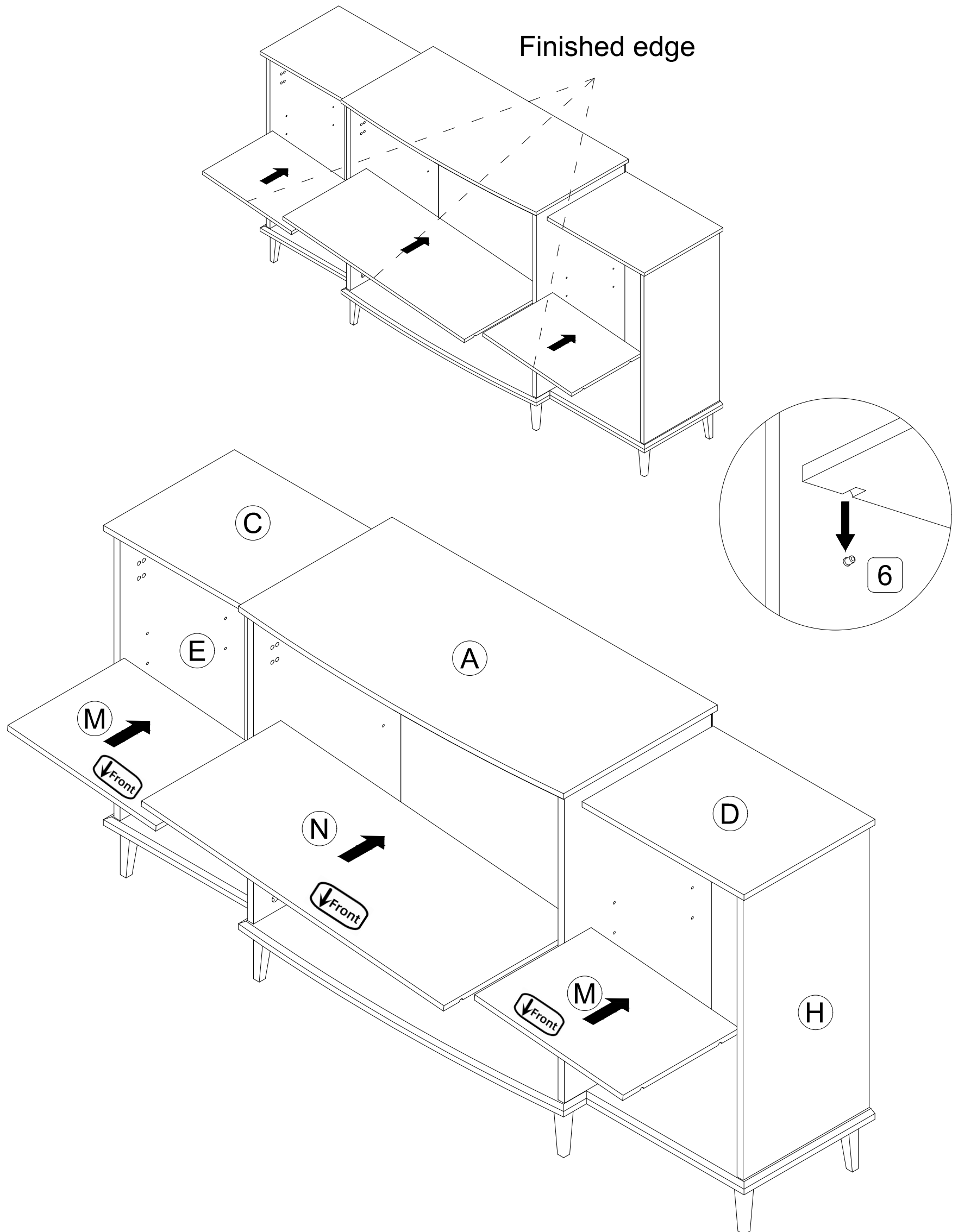
6:  12 pcs

4:  20 pcs




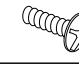
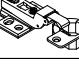

Insert shelf support pins (6) into the interior of the assembly at desired shelf heights. Place sticker (4) cover the holes.

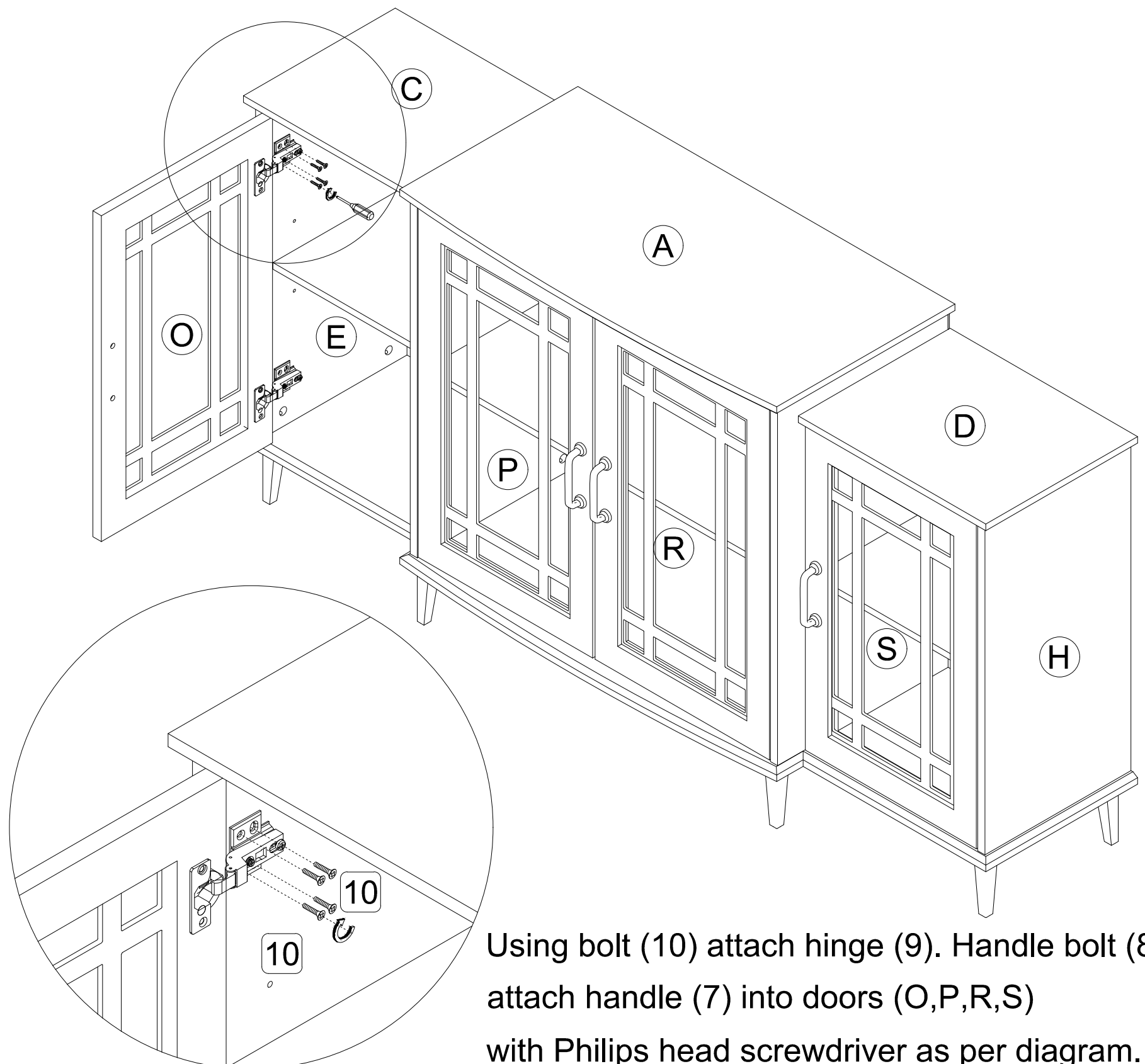
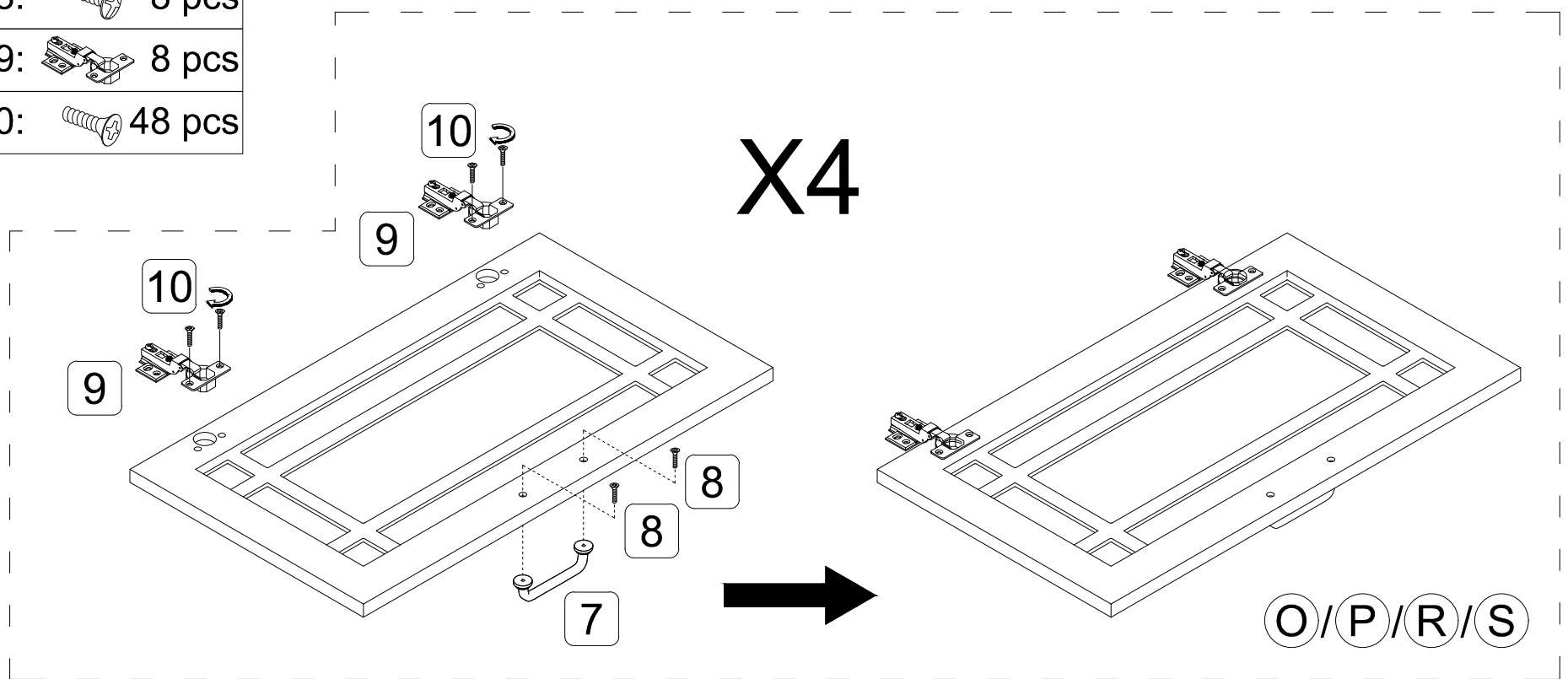
Step 12



Carefully place shelves (M,N) on shelf support pins (6)

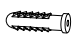
Step 13

- 7:  4 pcs
- 8:  8 pcs
- 9:  8 pcs
- 10:  48 pcs



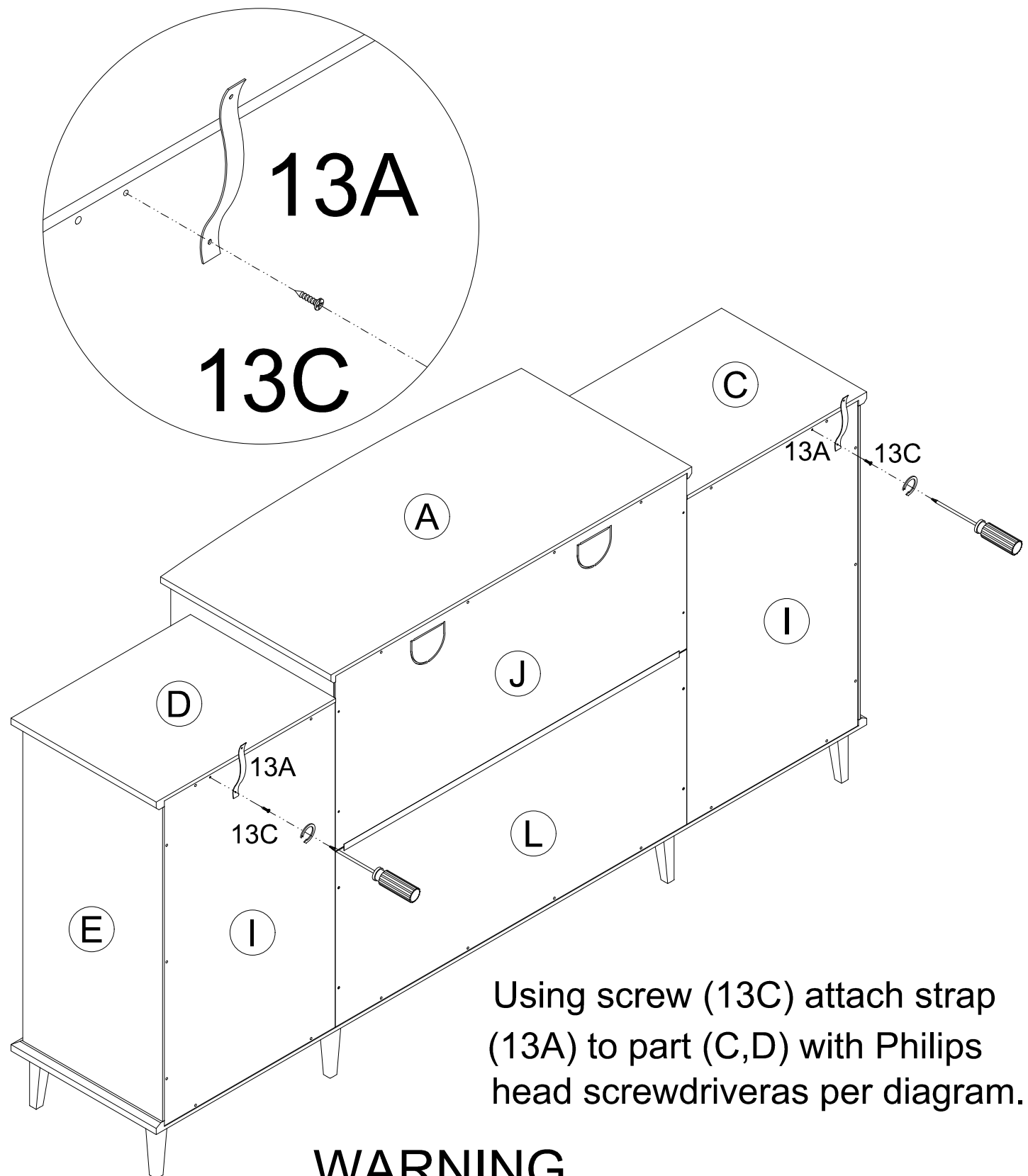
Step 14

13A:  2 pcs

13B:  2 pcs

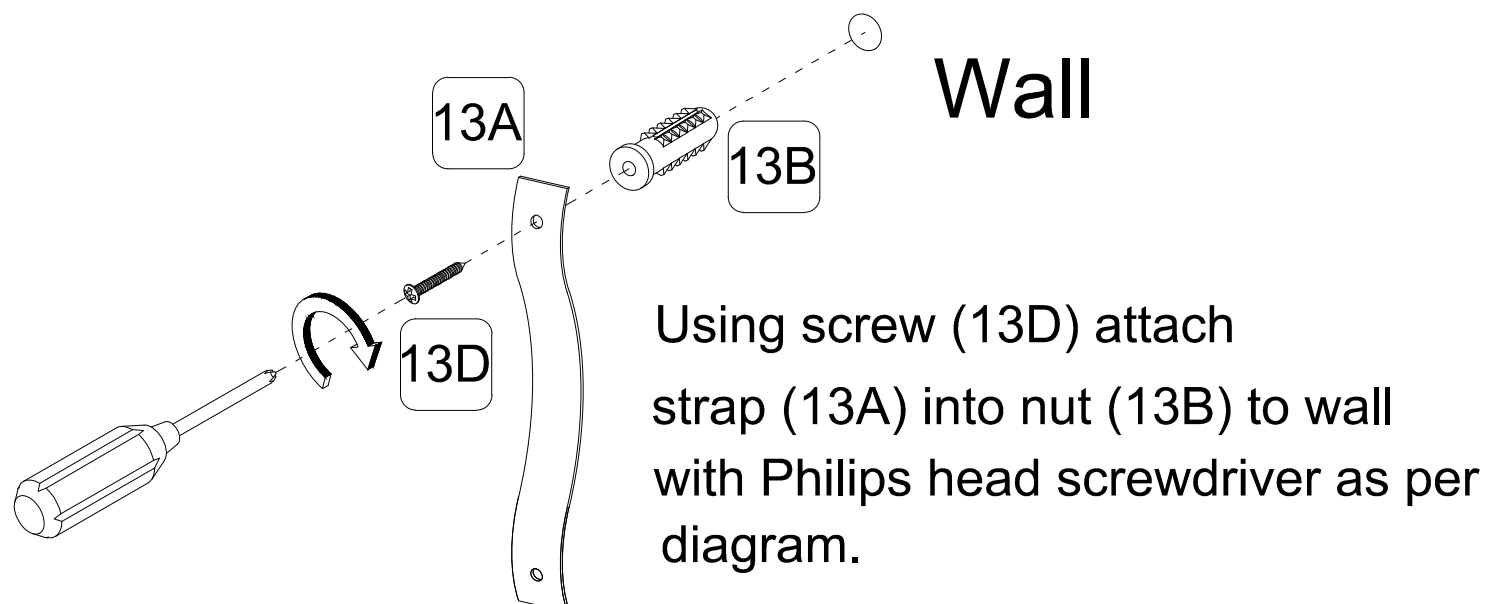
13C:  2 pcs

13D:  2 pcs

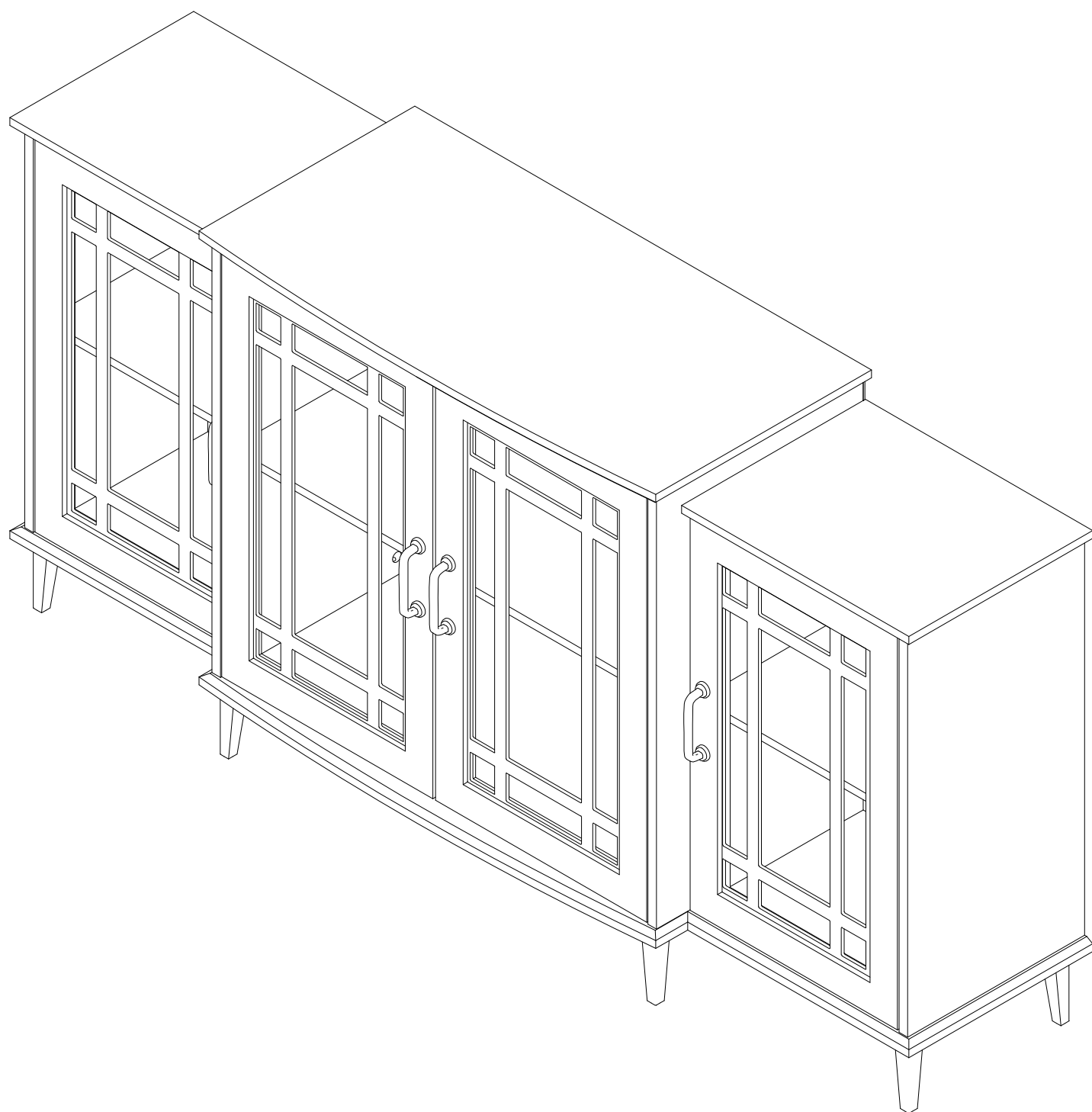


WARNING

Serious or fatal injuries can occur from furniture tipping over. To prevent the furniture from tipping over we recommend that it is permanently fixed to the wall. Wall anchor and hardware are included with this product. Please make sure hardware is suitable for your walls before installing, as different wall materials may require different types of anchors.



Step 15



Final Assembly