

ASSEMBLY INSTRUCTION

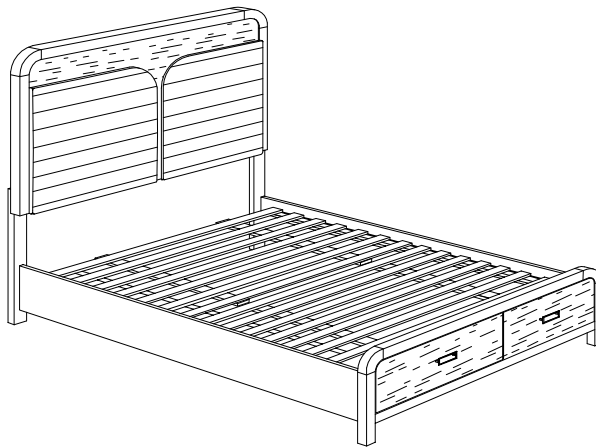
# 2011 - ARIA

King Bed

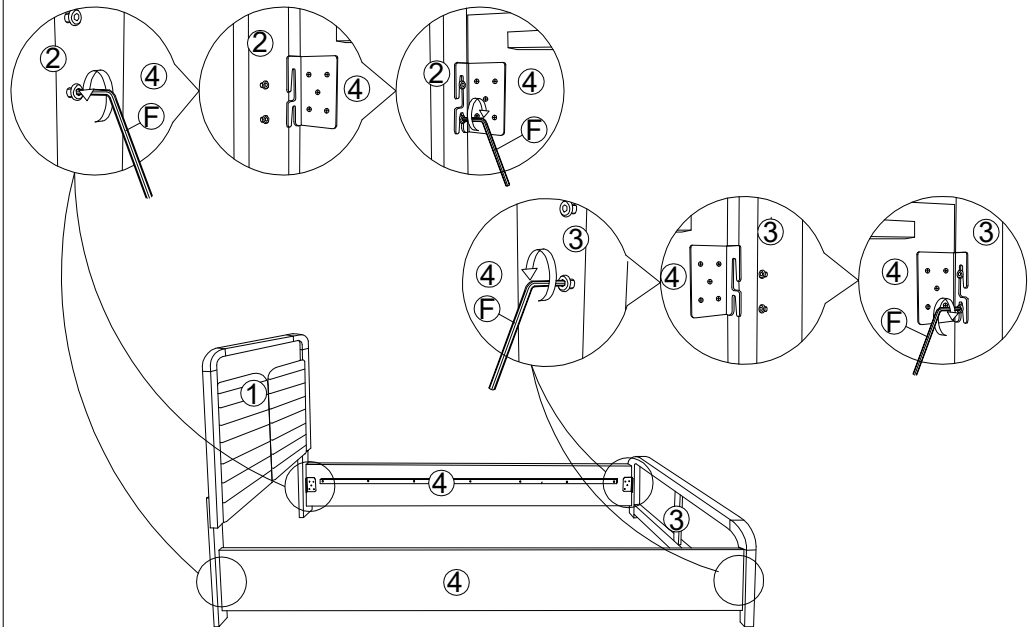
PARTS AND FITTINGS LIST

PARTS LIST		
CODE	DESCRIPTION	QTE.
1	HEADBOARD	1
2	HEADBOARD LEGS	2
3	FOOTBOARD	1
4	SIDE RAIL	2
5	SLAT	14
6	SUPPORT LEGS	8
7	DRAWER HORIZONTAL SUPPORT	1
8	DRAWER SLIDE	2
9	SUPPORT SLAT	4
10	DRAWER BOX	2

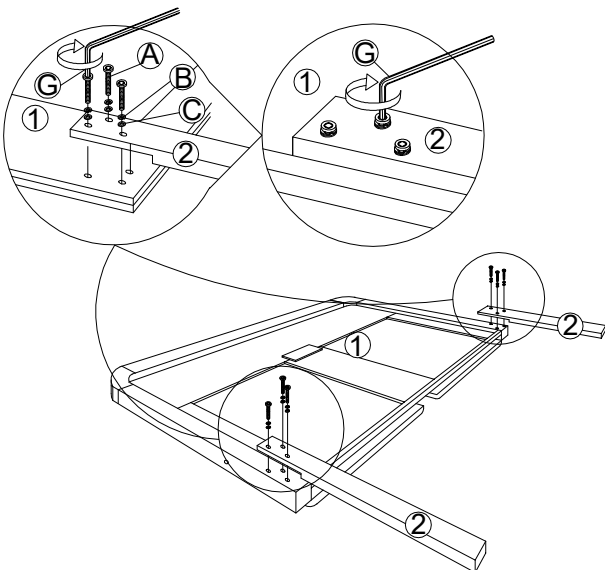
FITTINGS LIST		
CODE	DESCRIPTION	QTE.
A	JCBC M6 x 35mm	6
B	SPRING WASHER	8
C	FLAT WASHER	8
D	CSK SCREW x 32mm	32
E	JCBC M6 x 50mm	10
F	ALLEN KEY M5	1
G	ALLEN KEY M4	1



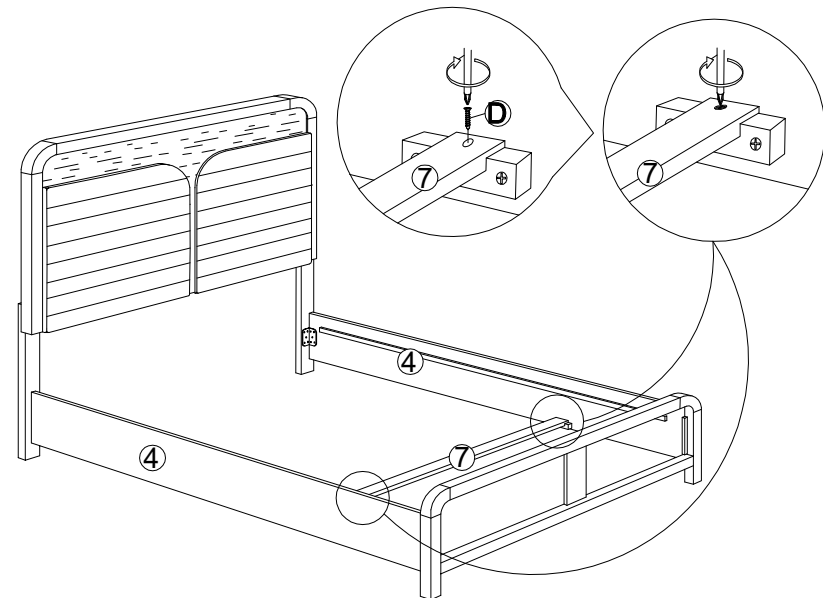
STEP 2 Required Fittings : F x 1 pc , 2 x 2 pcs , 3 x 1 pc , 4 x 2 pcs  
Fitting Side Rail with Headboard Leg and Footboard.



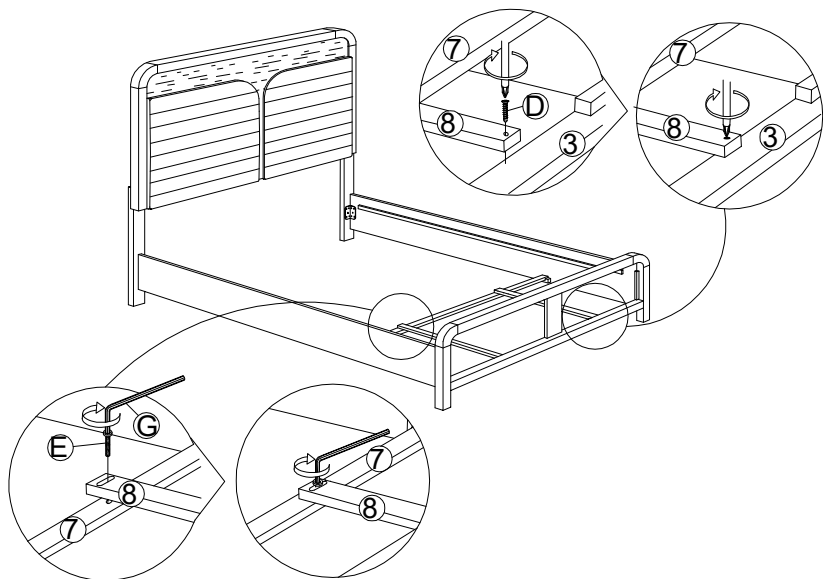
STEP 1 Required Fittings : A x 6 pcs , B x 6 pcs , C x 6 pcs , G x 1 pc , 1 x 1 pc , 2 x 2 pcs  
Fitting Headboard Leg with Headboard.



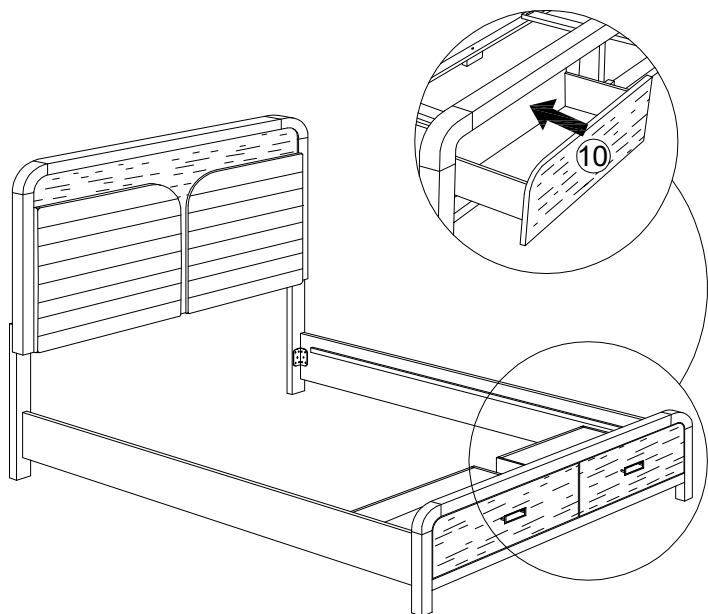
STEP 3 Required Fitting : 7 x 1 pc , D x 2 pcs  
Fitting Drawer Horizontal Support to Side Rail.



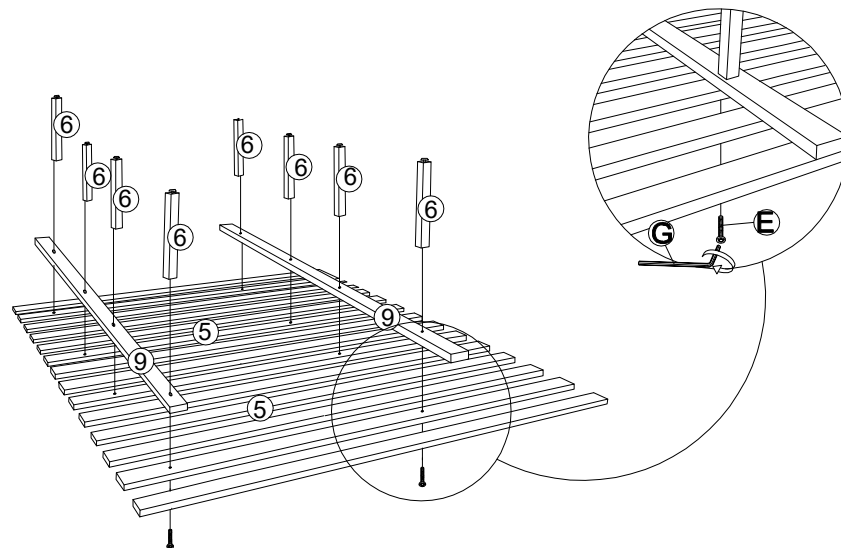
STEP 4 Required Fitting : 8 x 2 pcs , D x 2 pcs , G x 1 pc , E x 2 pcs  
Attach Slide Support to Drawer Horizontal Support and Footboard



STEP 5 Required Fitting : 10 x 2 pcs  
Slot in Drawer Guide to Drawer.



STEP 6 Required Fitting : 5 x 14 pcs , 6 x 8 pcs , 9 x 4 pcs , G x 1 pcs , E x 8 pcs  
Attach Bed Slat & Slat Support with Support Leg.



STEP 7 Required Fittings : D x 28 pcs  
Attach Bed Slat with Bed.

