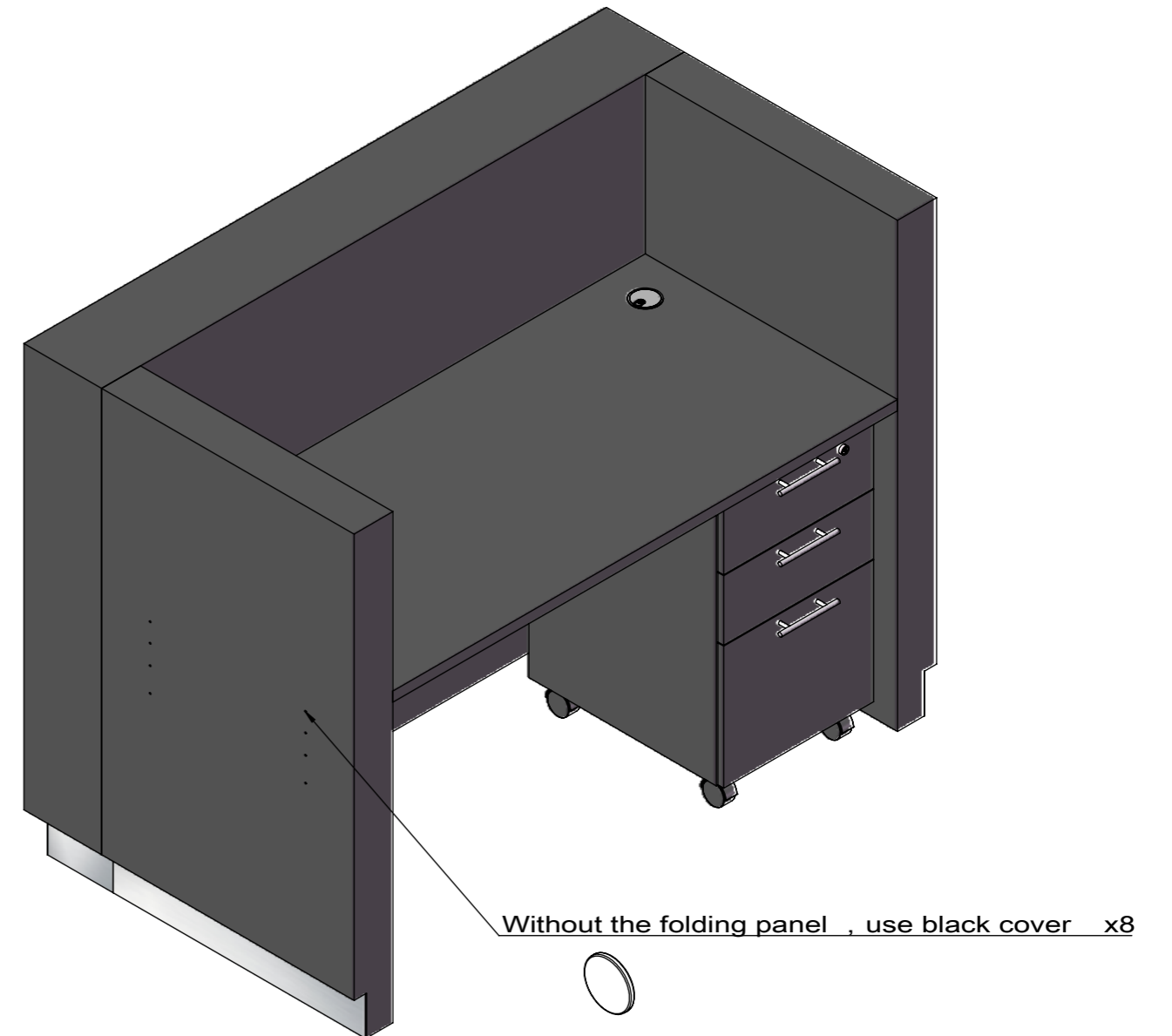
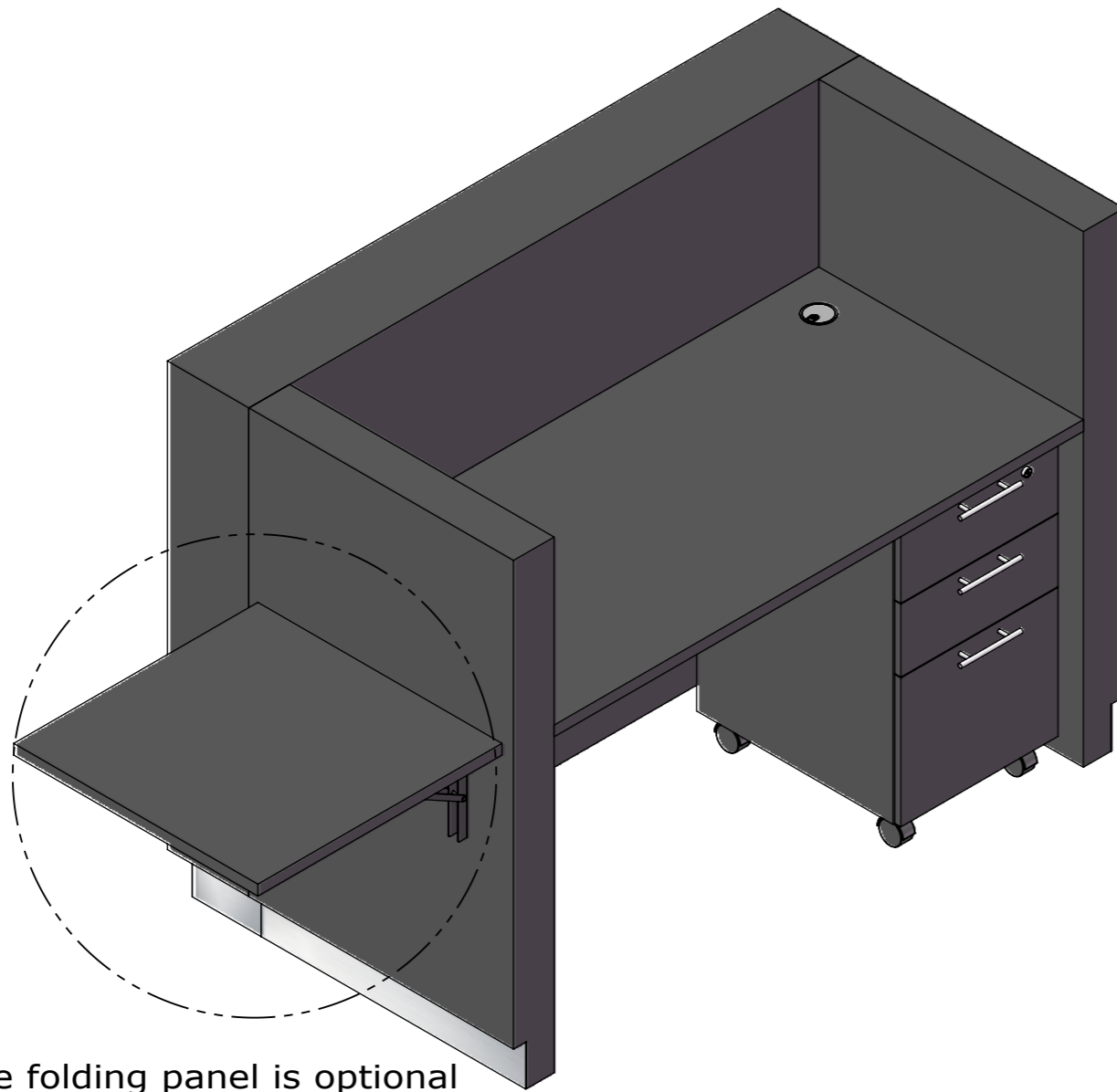


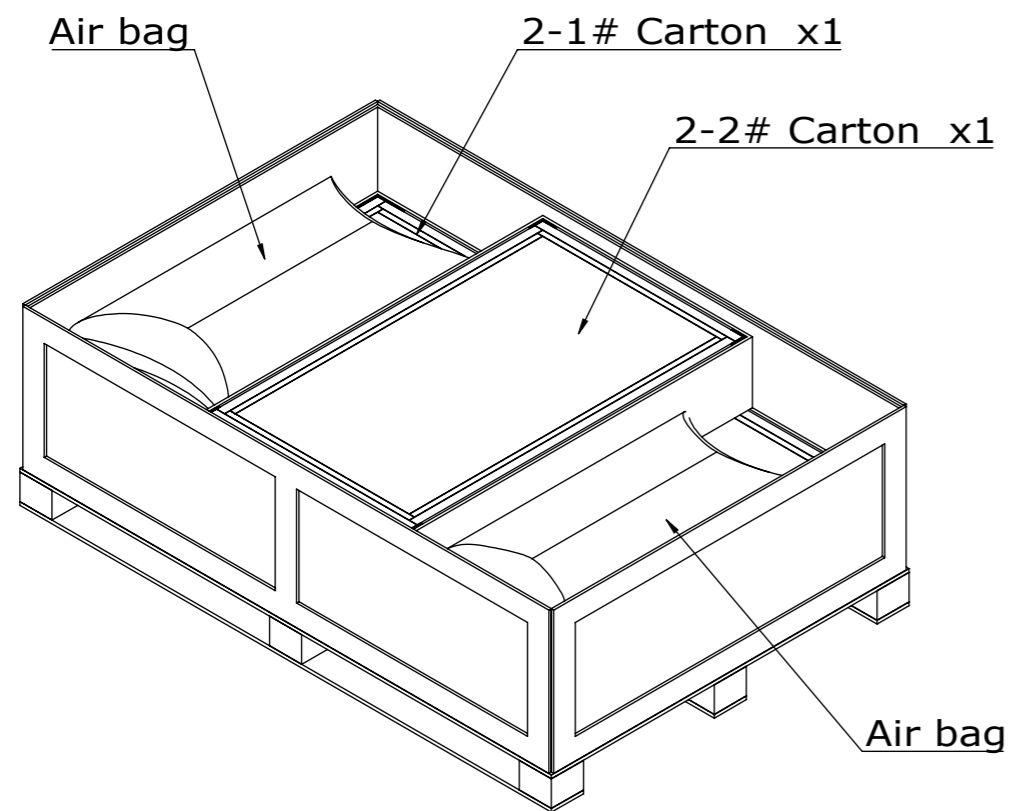
Final product image

DSK-RECP-60&72_BROOKS RECEPTION DESK

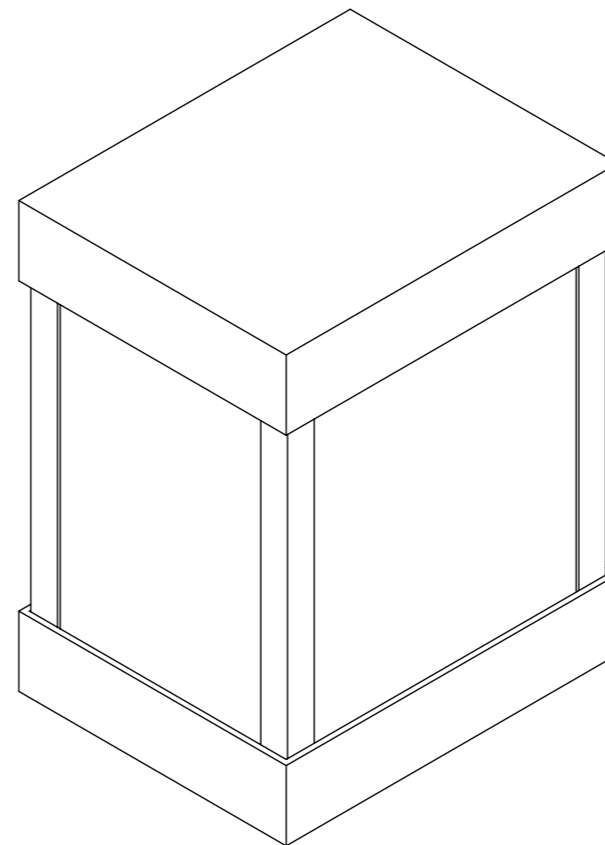


Packing List

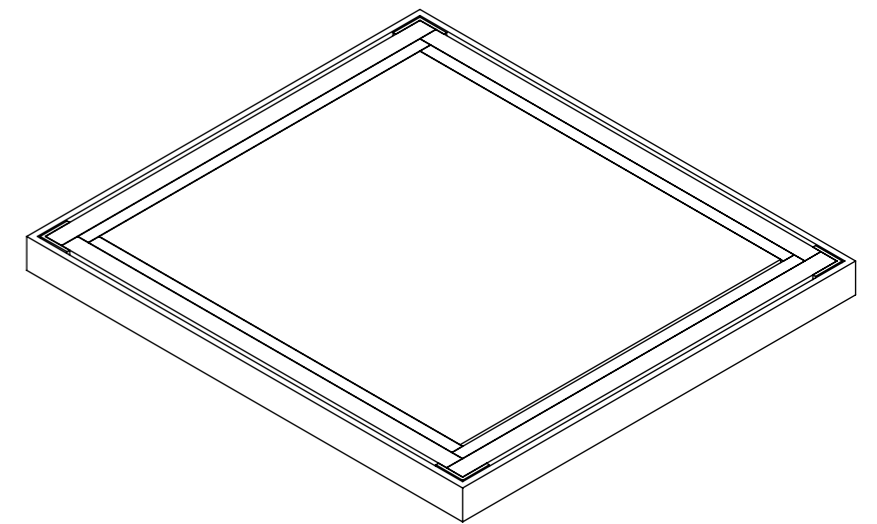
Wooden box for 2-1#&2-2# Carton



Carton for activity cabinet



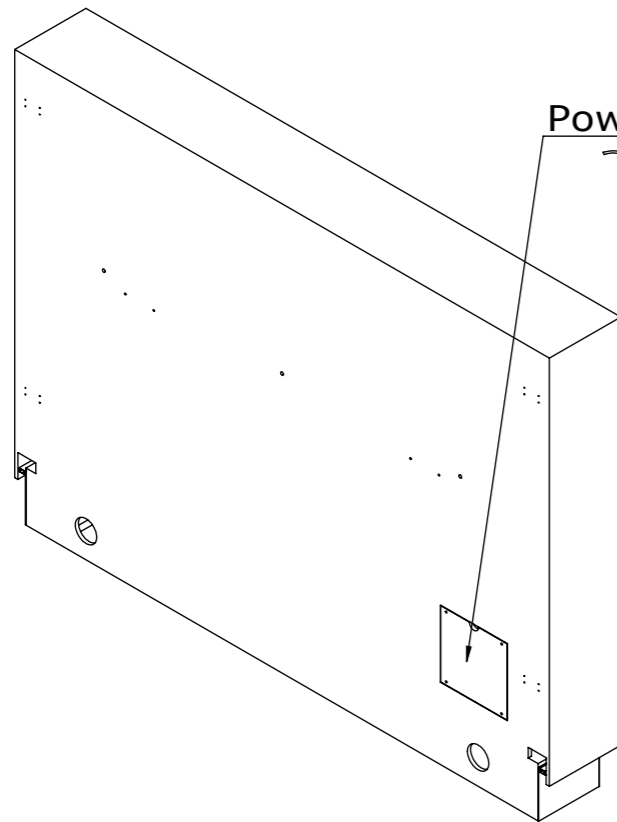
Carton for Folding panel(Optional)



Assembly instructions

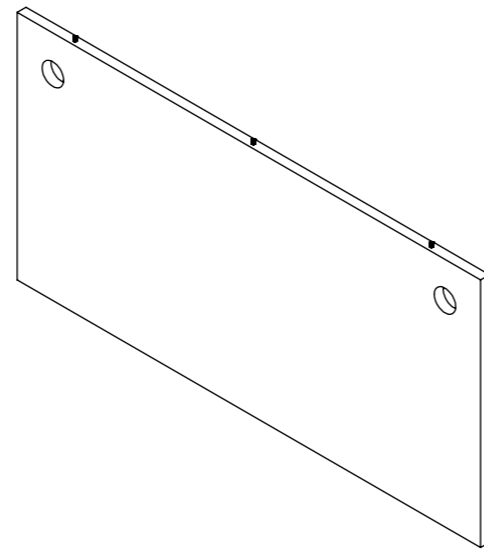
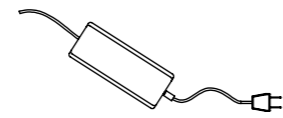
Component List (Check the components before starting assembly)

2-1# Carton

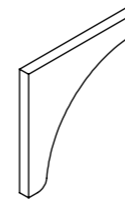


60&72 Front panel x1

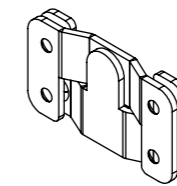
Power cord included x1



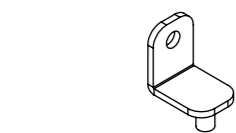
Desktop x1



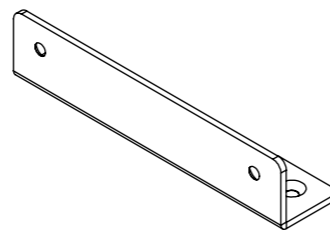
Supporting plate x1



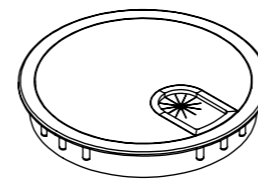
Mountain-shaped buckle x4



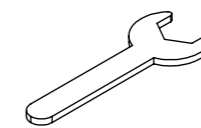
Support plate fastener x8



Connecting plate x6



Grommet x4



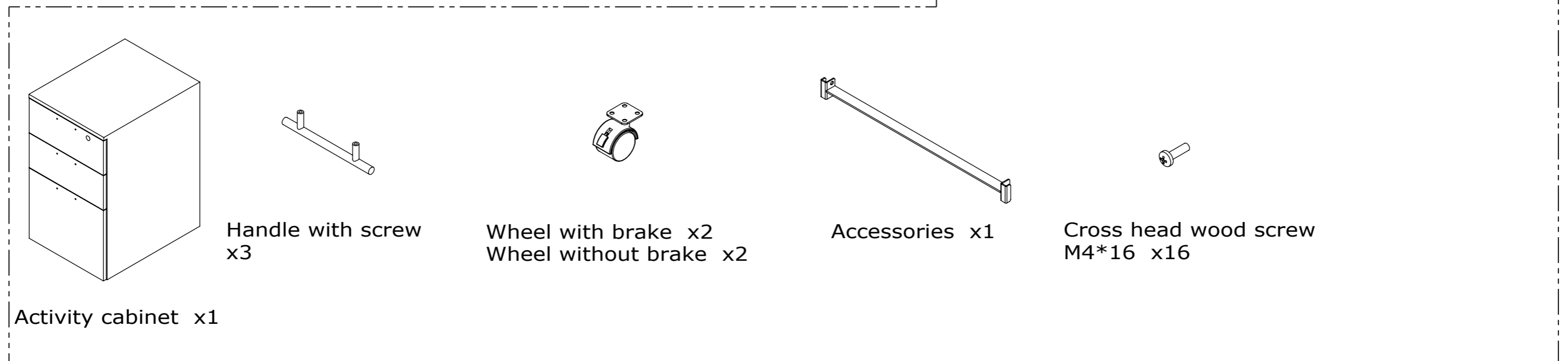
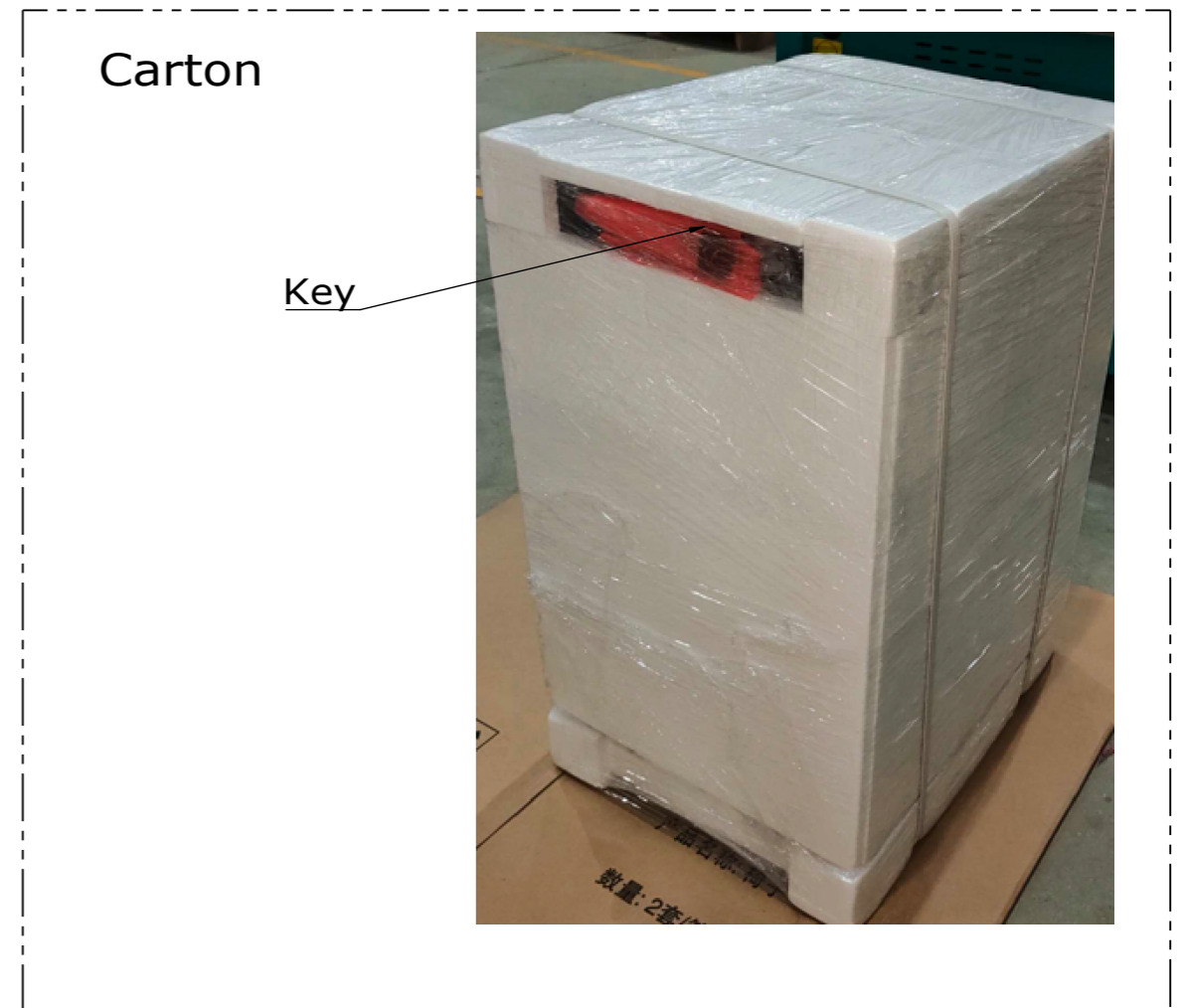
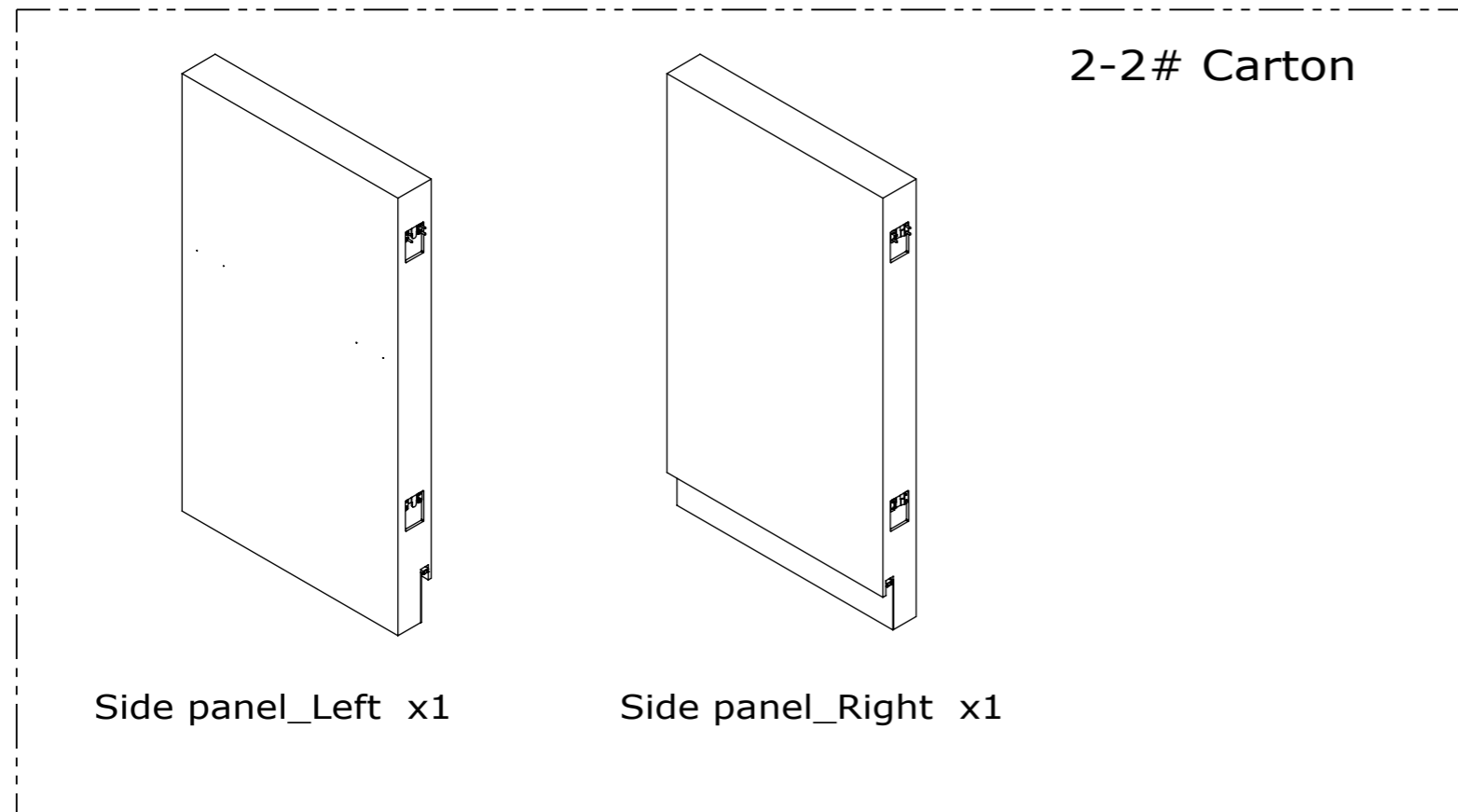
Spanner x1



Cross countersunk head wood screw M4*20 x48



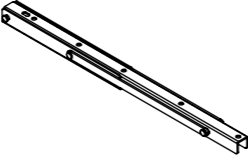
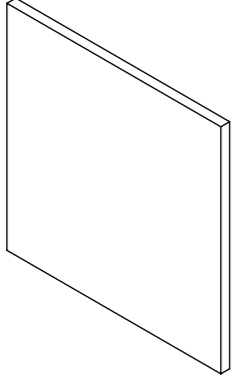
Assembly instructions

Component List (Check the components before starting assembly)



Component List(Check the components before starting assembly)

The folding panel is optional Carton



Folding panel x1
Optional

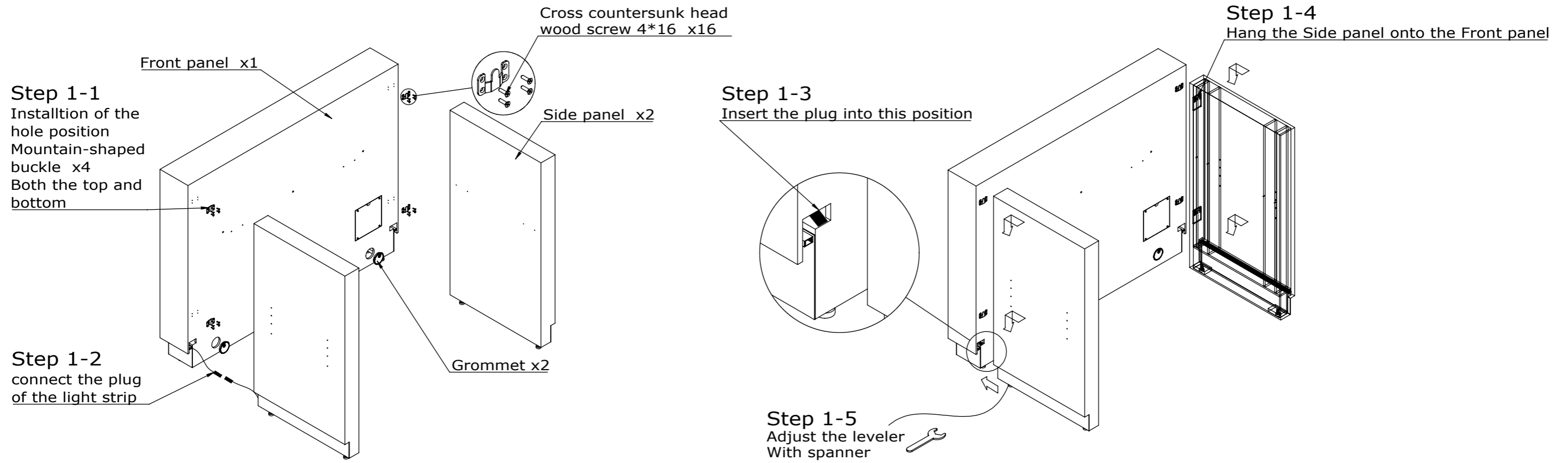
Folding triangular support rod x2
Optional

Cross head screw M6*20 x8

Cross head screw M4*16 x10

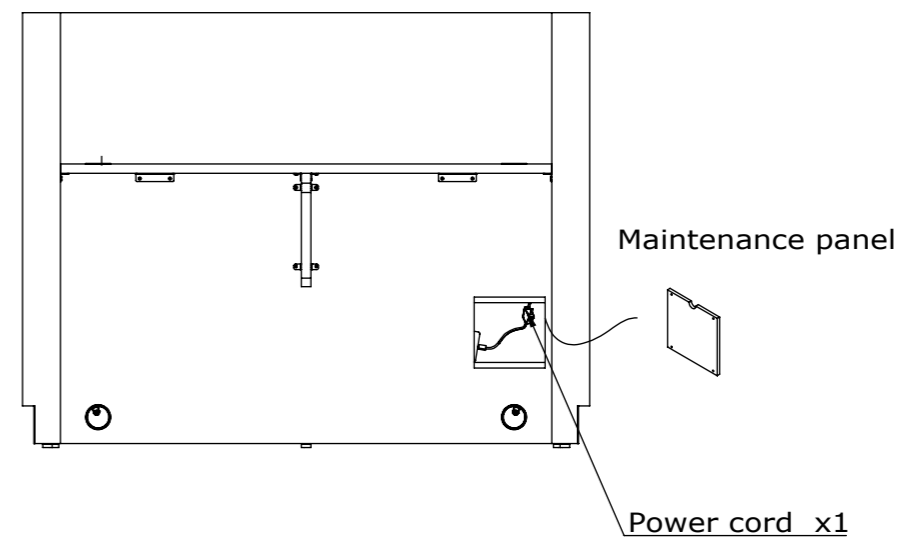
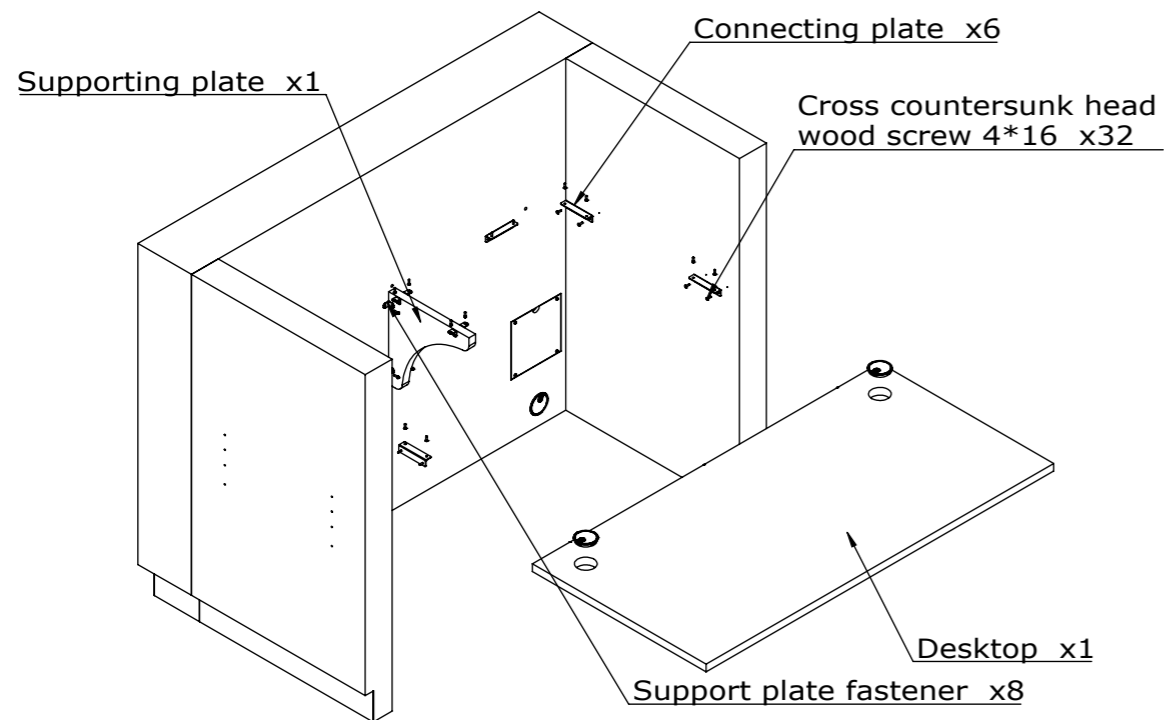
Assembly instructions

Step 1 : Connect the side panel, and connect the plug of the light strip, then adjust the leveler with spanner,.



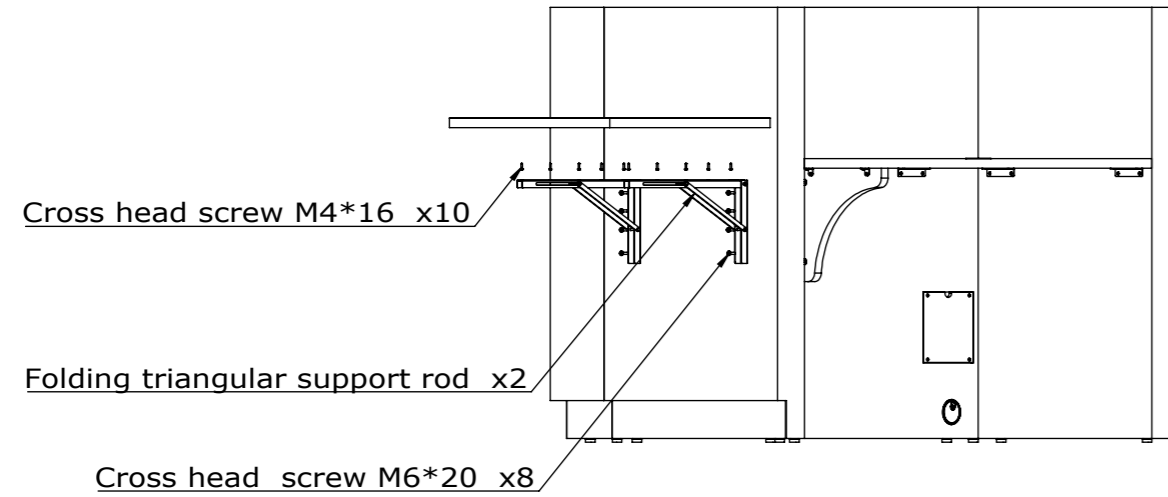
Step 2 : Install the supporting plate and desktop

Step 3 : Pull out the power cord

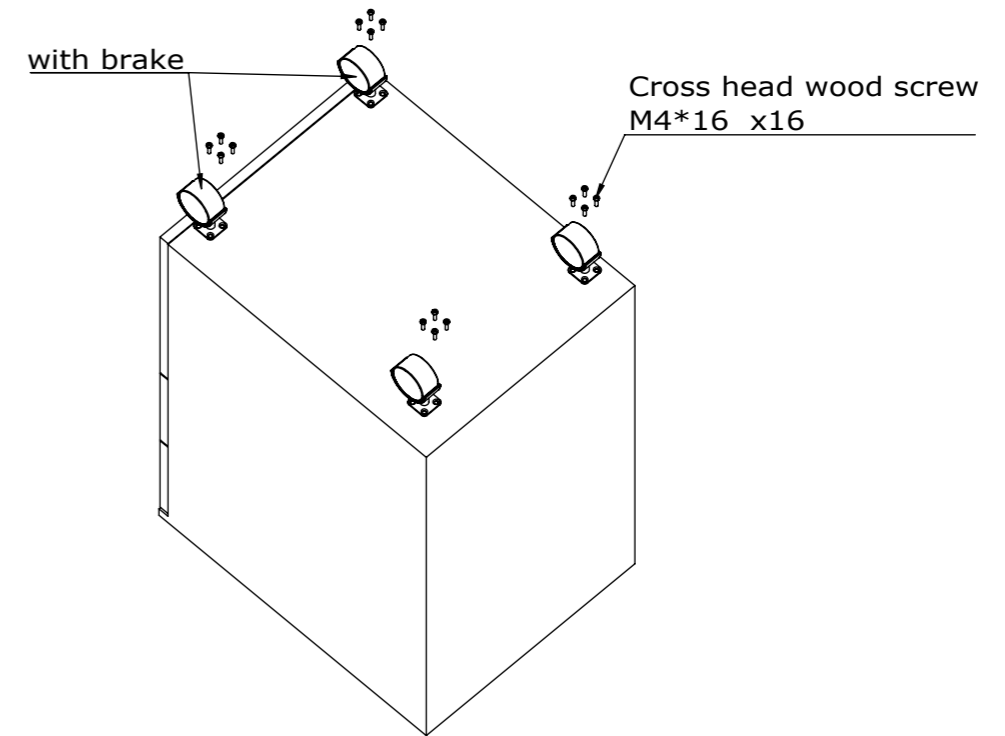


Assembly instructions

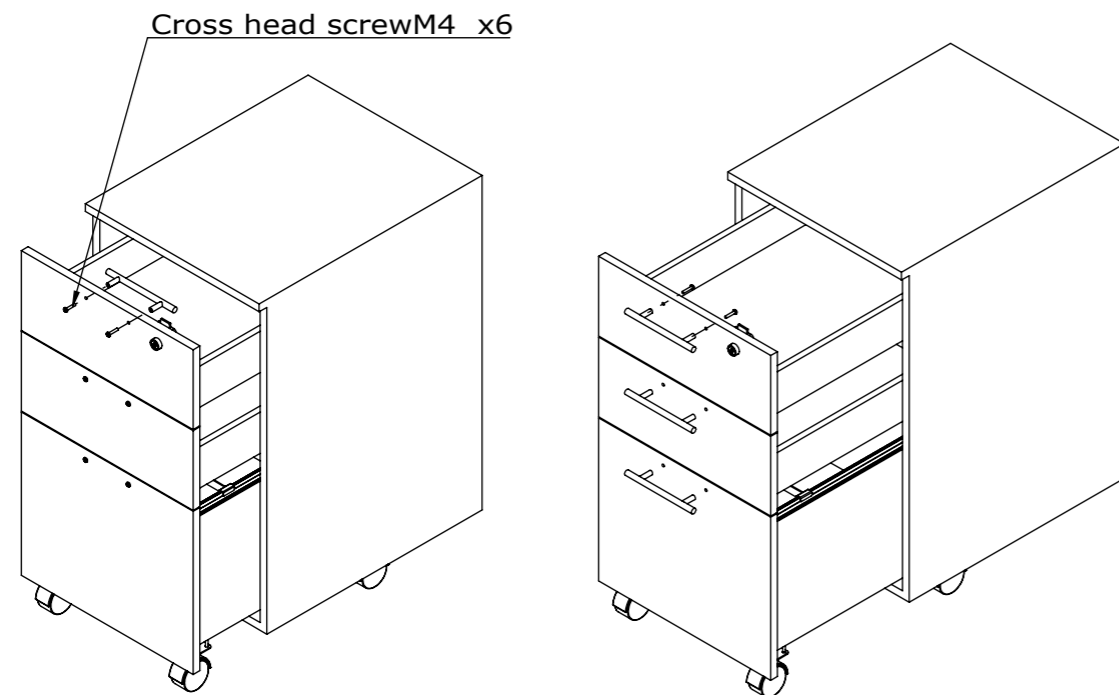
Step 4 : Install the folding panel(Optional)



Step 5 : Install the wheels



Step 6 : Install the handles



Step 7 : Push the Activity cabinet into the desk

