

ASSEMBLY INSTRUCTION

A Table Top



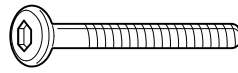
1 pc

B Table Leg



4 pcs

C Jcbb Bolt
M8 x 80mm



8 pcs

D Spring Washer
M8



8 pcs

E Flat Washer
M8 x 22mm



8 pcs

F Allen Key
M8



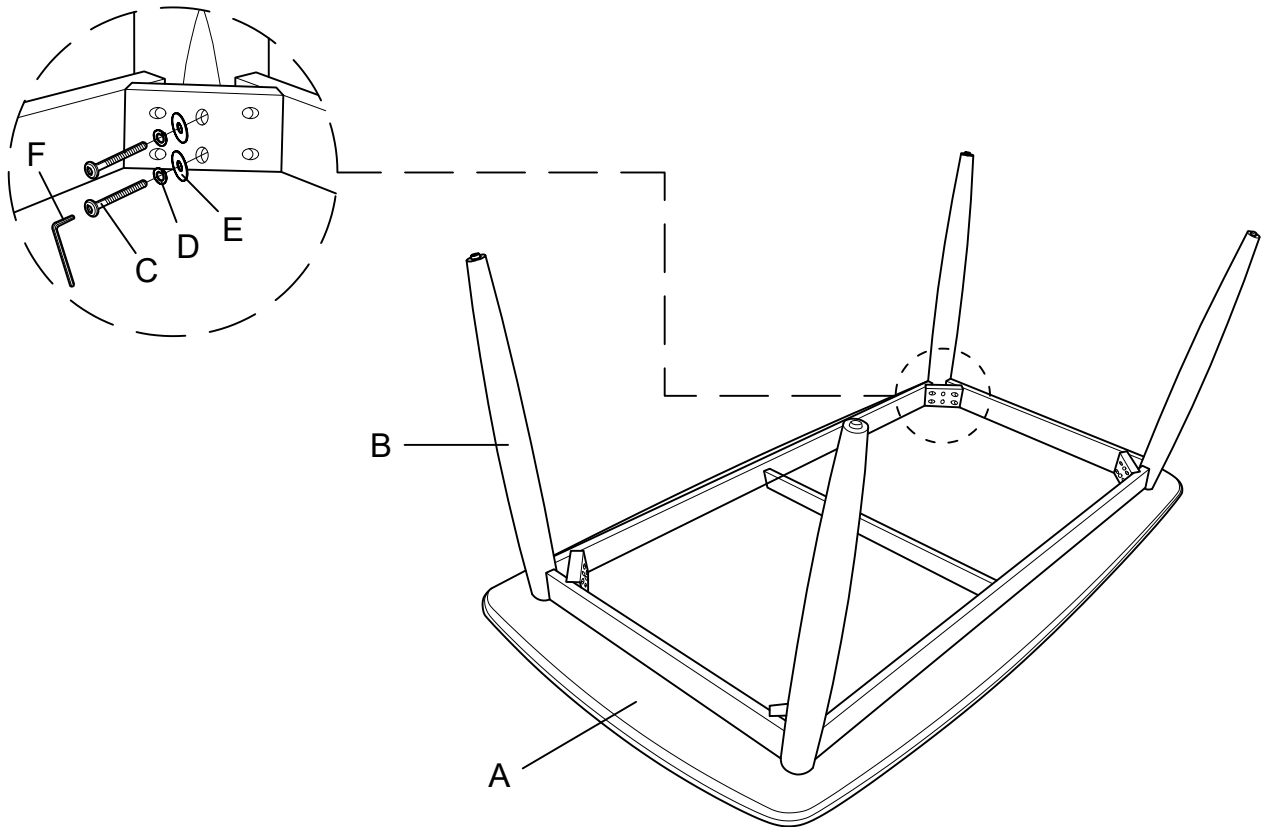
1 pc



This page lists all the contents included in the box. Please take the time to identify the hardware as well as the individual components to this product. As you unpack and prepare for assembly, place the contents on a carpeted or padded area to protect them from damage.

1

Put the Table Top (A) upside down on the soft and smooth surface. Attach Table Leg (B) onto Table Top (A). Then insert Jcbb Bolt (C), Spring Washer (D) and Flat Washer (E) into holes of each corner block of Table Top (A) by using Allen Key (F). Do not fully tighten the bolts in this step.



Stand table up on an even surface and check that it is balanced. If there is a slight wobble, apply downward pressure in the corner where a leg is uneven. Keeping pressure in that corner, tighten all bolts. If balanced, apply downward pressure evenly in the center and tighten all bolts. Do not over-tighten beyond hole depth.

Cleaning & Care

Treat surface with care. Surface is resistant to scratches but is not scratch resistant. Clean surface with a dry or damp soft cloth. Do not use abrasive cleaners. Hardware may loosen over time. Periodically check that all connections are tight.

ASSEMBLY INSTRUCTION

A Left Leg



1pc

B Right Leg



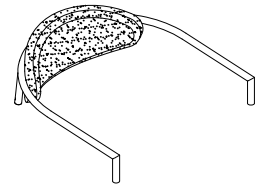
1pc

C Back Leg



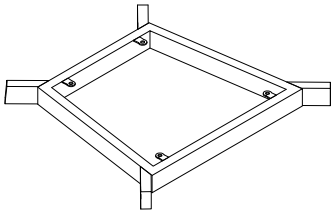
2pcs

D Arm & Back Rest



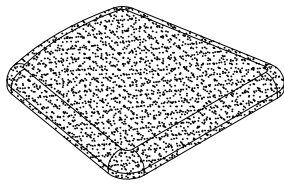
1pc

E Seat Frame



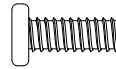
1pc

F Seat Cushion



1pc

G Bolt
1/4" x 1/2"



8pcs

H Bolt
5/32" x 3/8"



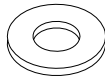
4pcs

I Screw
M4 x 15mm



4pcs

J Flat Washer
ø16mm



8pcs

K Flat Washer
ø12mm

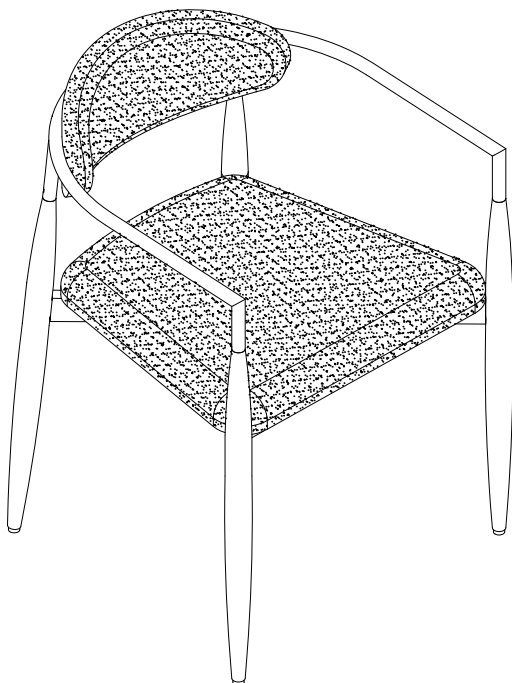


4pcs

L Allen Key
4 x 4mm



1pc



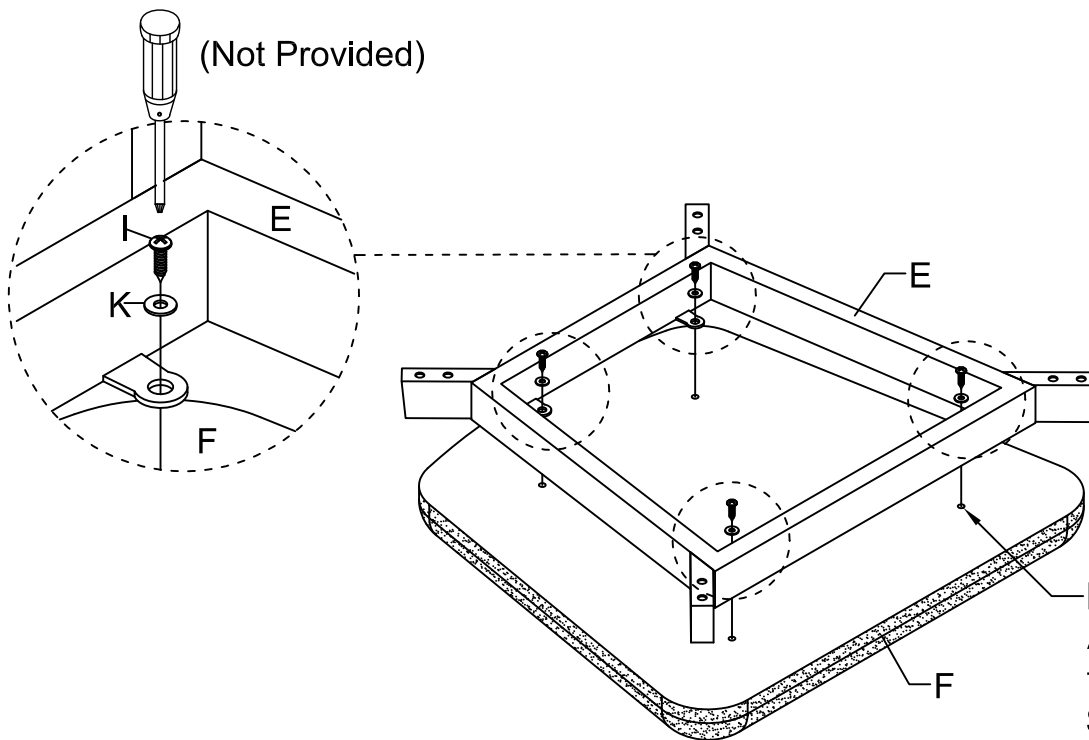
This page lists all the contents included in the box. Please take the time to identify the hardware as well as the individual components to this product. As you unpack and prepare for assembly, place the contents on a carpeted or padded area to protect them from damage.

Note:

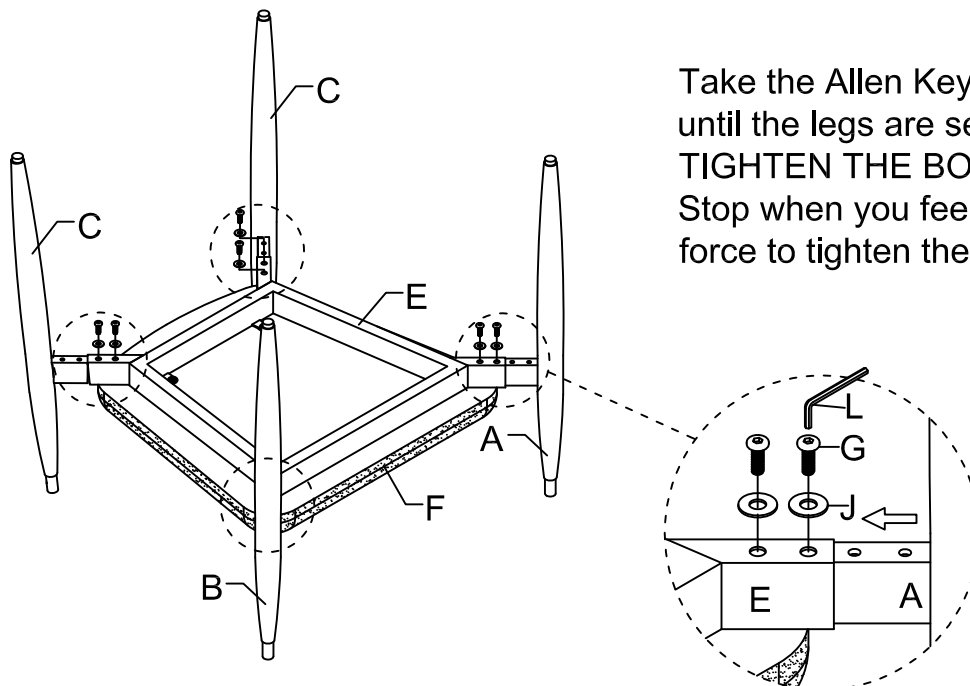
Do not fully tighten all bolts & screws until the entire unit is completely assembled.

1

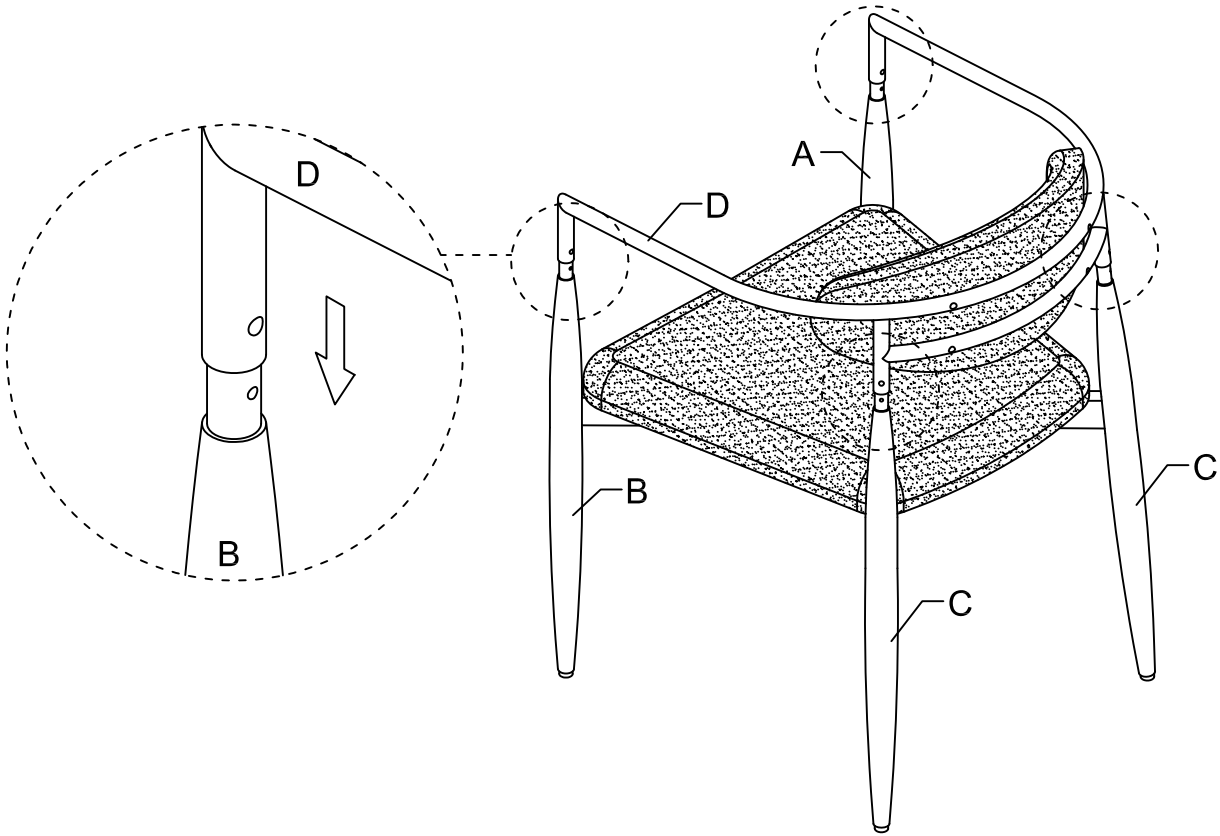
Attach Seat Frame (E) to Seat Cushion (F) using Screw (I) and Flat Washer (K) with Screwdriver (Not Provided).

**2**

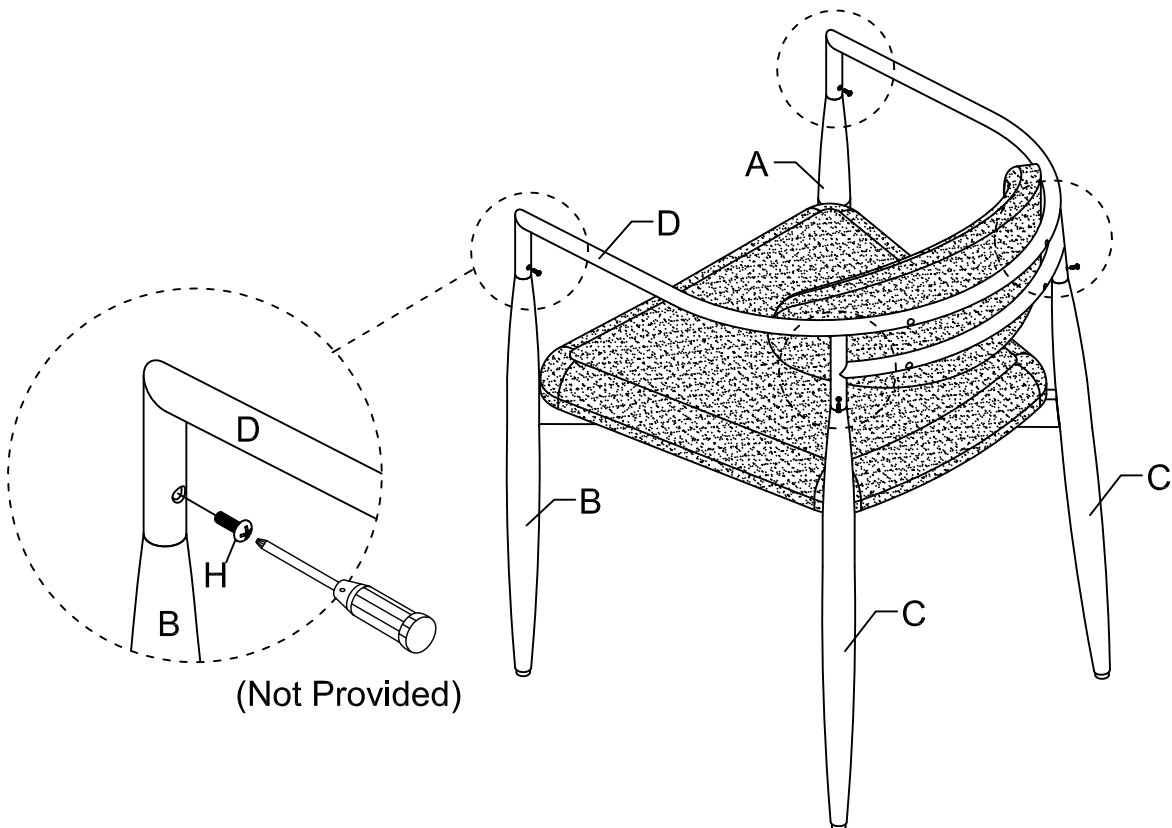
Attach Left Leg (A), Right Leg (B) and Back Leg (C) to Seat Frame (E) using Bolt (G) and Flat Washer (J) with Allen Key (L).



- 3** Stand the chair base up and attach Arm & Back Rest (D) to Left Leg (A), Right Leg (B) and Back Leg (C).

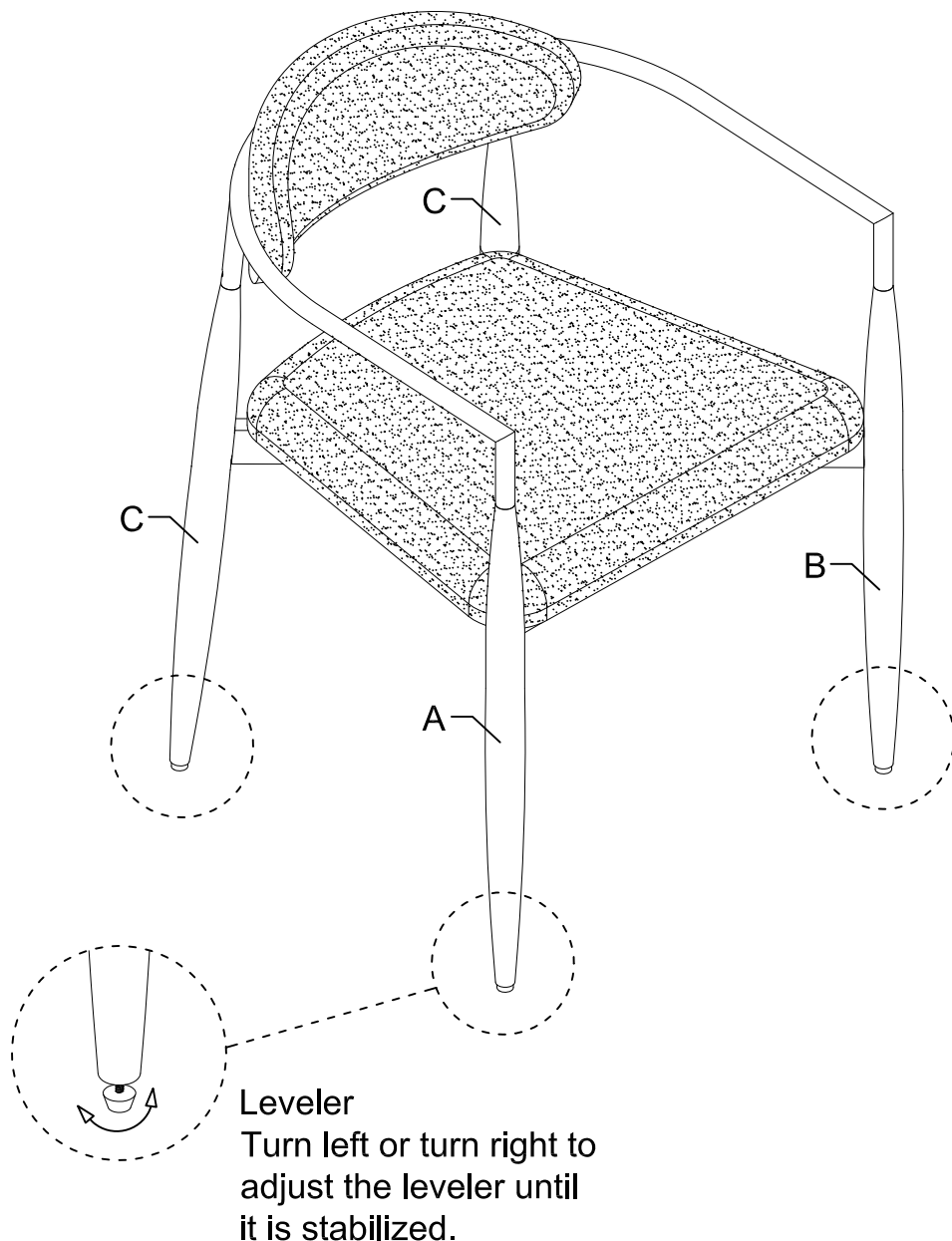


- 4** Tighten Arm & Back Rest (D), Left Leg (A), Right Leg (B) and Back Leg (C) by Bolt (H) and Screwdriver (Not Provided).



5

Adjust the levelers on the bottom of Left Leg (A), Right Leg (B) and Back Leg (C) until the chair is level with the ground.



Stand up the chair on an even surface and check that it is balanced. If the chair has a slight wobble, apply downward pressure on the uneven leg and tighten all bolts to fix the imbalance. If the chair is now balanced, apply downward pressure evenly in the center of the chair and tighten all bolts. Do not over-tighten beyond hole depth.

Helpful Tip: Have someone sit in the chair while tightening the bolts from underneath.

Cleaning & Care

Treat surfaces with care. Surfaces are resistant to scratches but are not scratch resistant. Clean surfaces with a dry or damp soft cloth. Do not use abrasive cleaners. Hardware may loosen over time. Periodically check that all connections are tight.