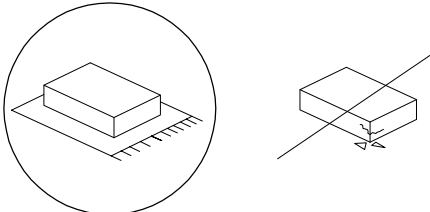
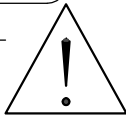
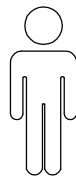
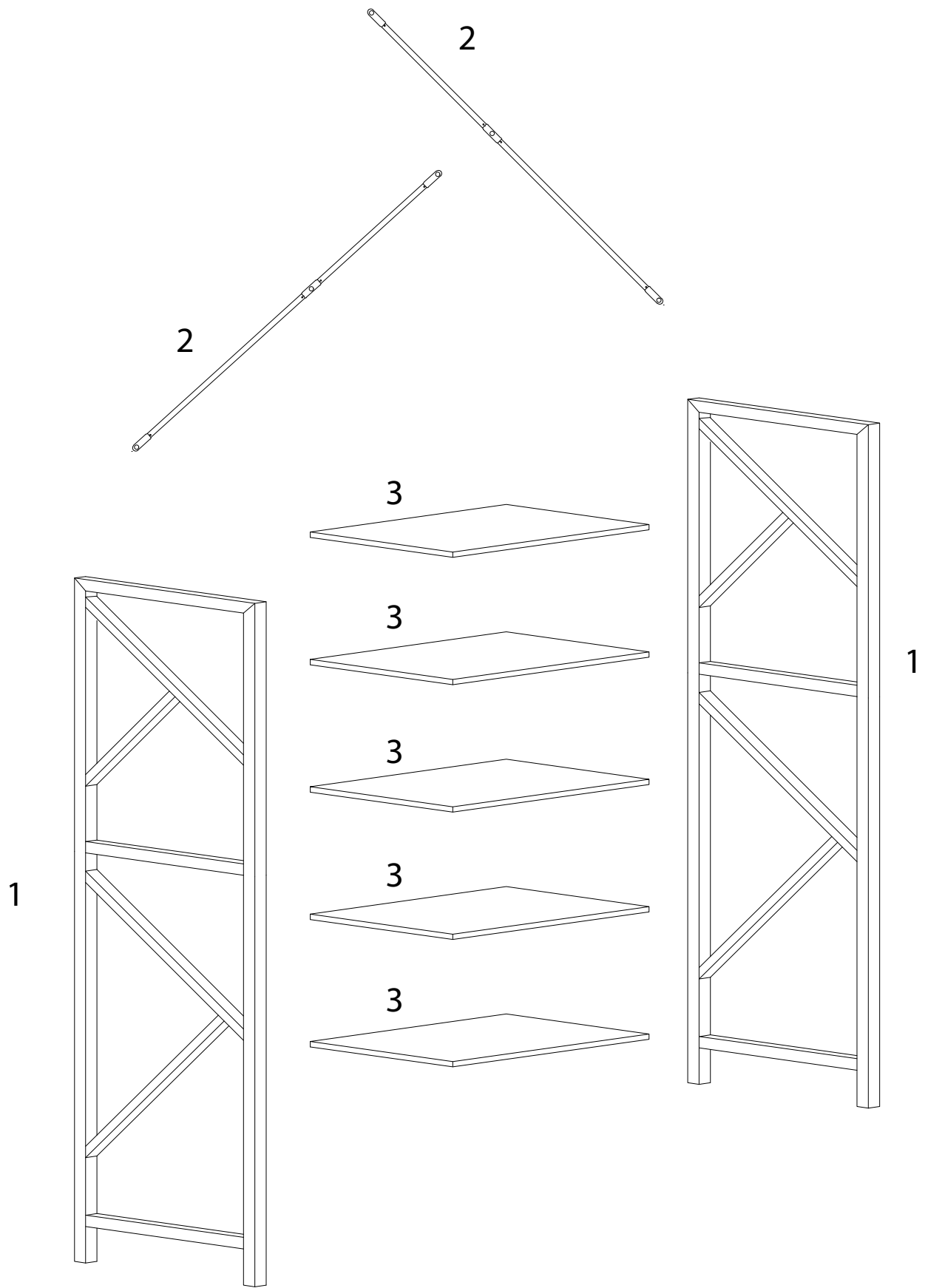
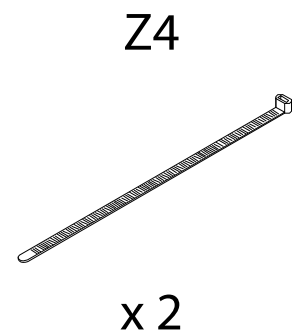
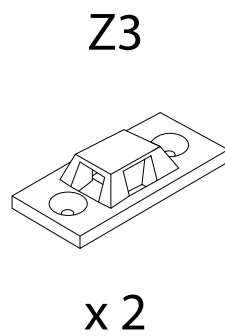
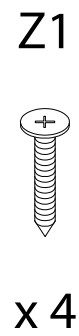
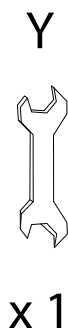
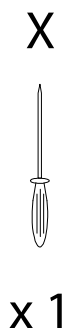
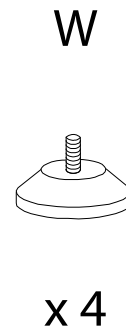
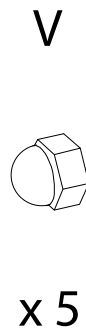
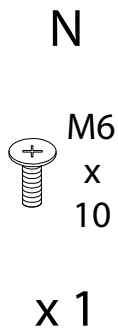
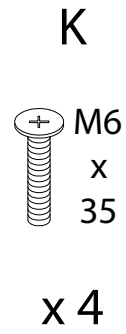
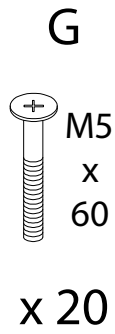
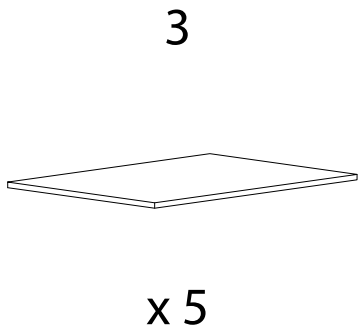
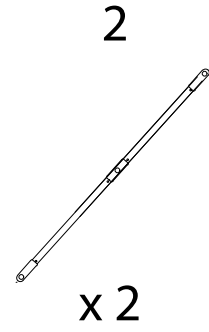
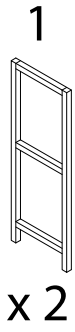
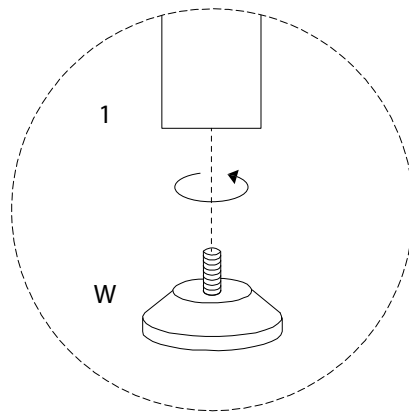
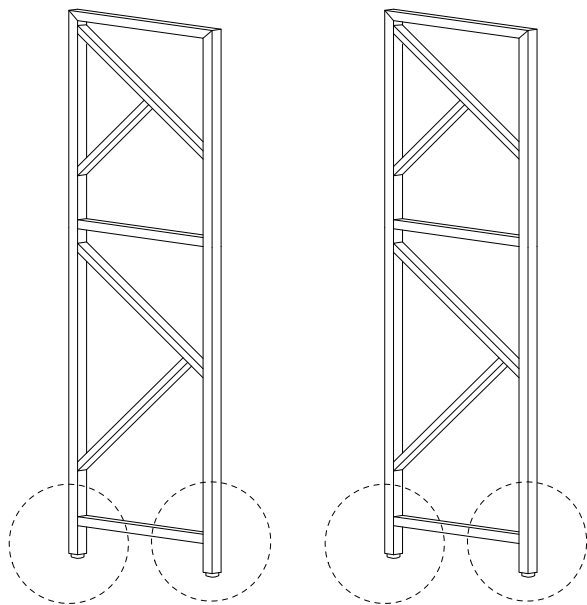
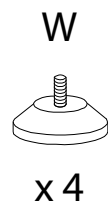
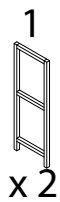

		20'
		
		2

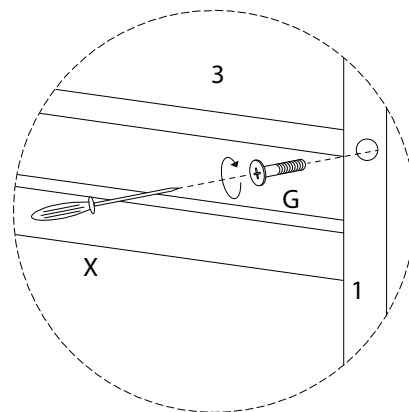
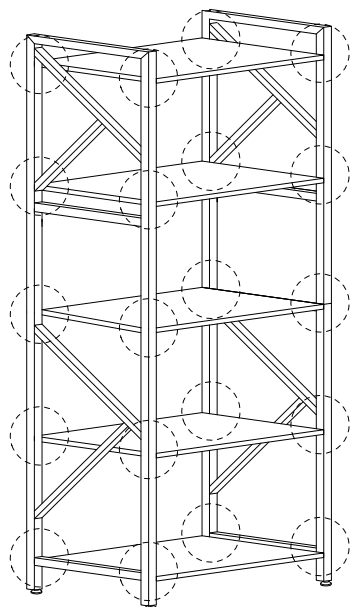
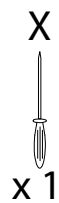
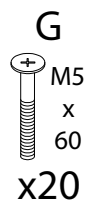
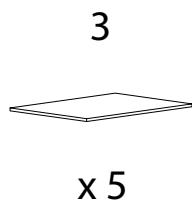






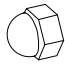

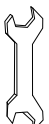
1

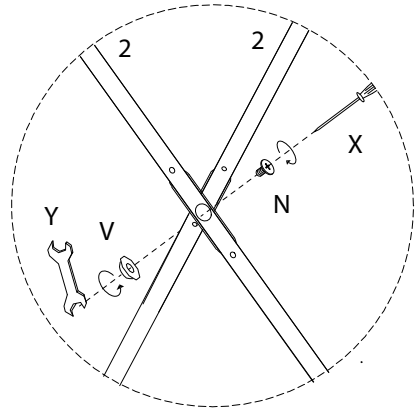
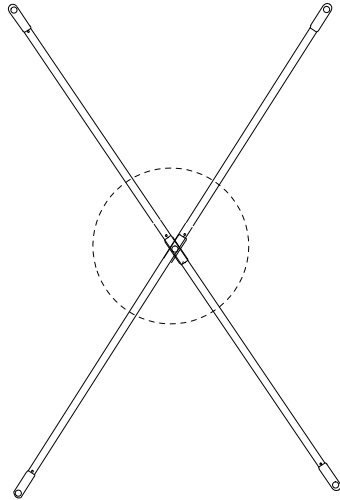


2


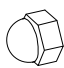




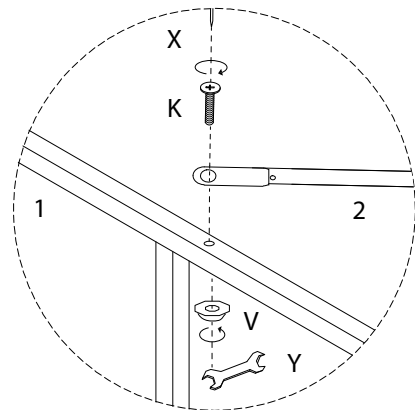
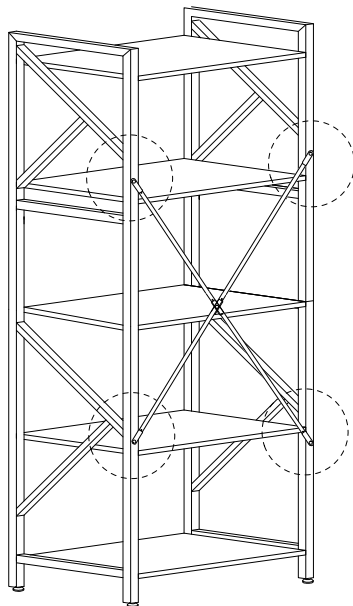
3

2  x 2	N  M6 x 10 x 1	V  x 1	X  x 1	Y  x 1
---	---	---	---	---

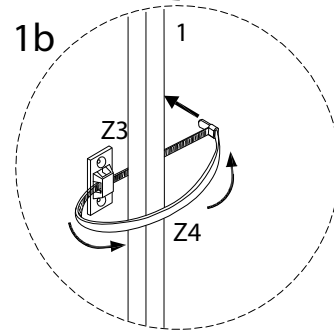
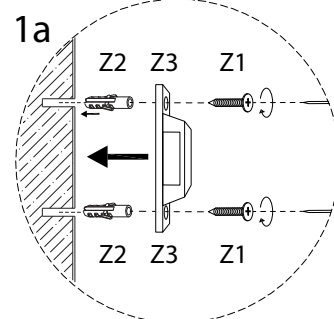
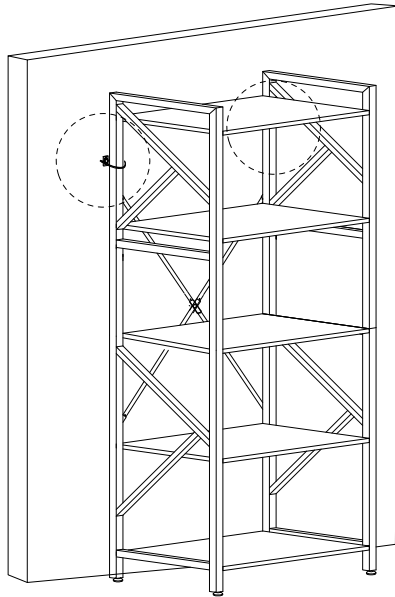
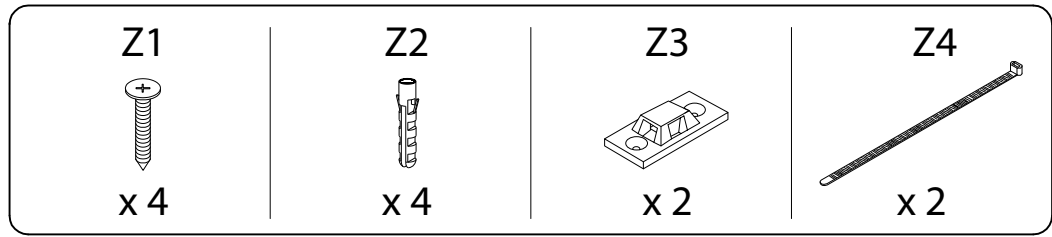


4

K  M6 x 35 x 4	V  x 4	X  x 1	Y  x 1
---	---	---	---



5



!

