

Thank you for purchasing this Winsome House product. This product has been manufactured with the highest standards of safety and quality.

Product Name:	LED Adjustable 200LM Solar Panel Light
SKU #:	WHSL433

Operating Instructions

BEFORE USING THIS PRODUCT: READ, UNDERSTAND AND FOLLOW THESE INSTRUCTIONS.

How Your Solar Light Works:

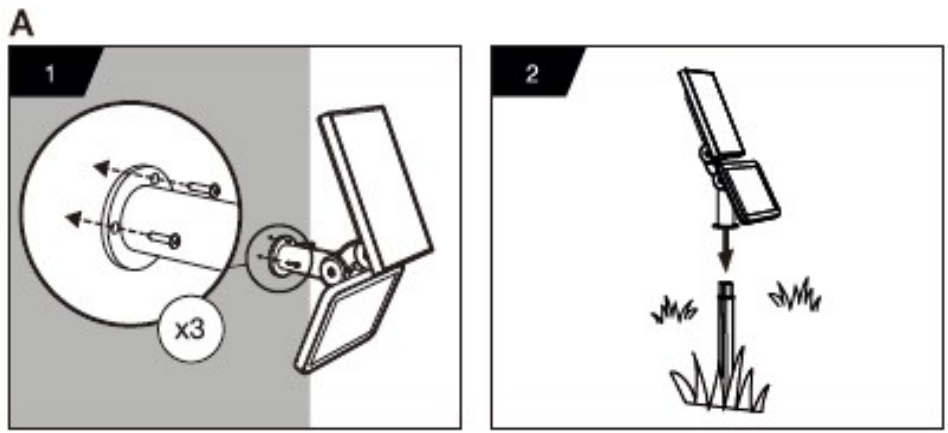
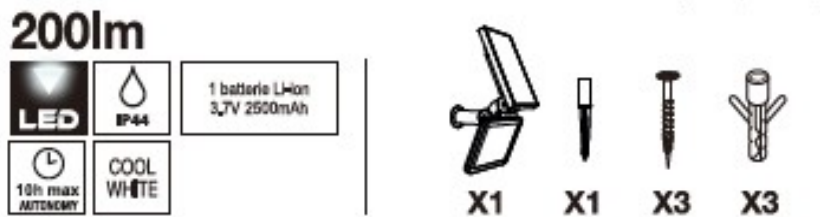
During the day, the solar charge panel included with this Solar Panel Light converts sunlight into electricity recharging the batteries. Using this stored energy, the LED light turns on automatically at night (dusk).

- Cool White LED stays on for a max of 10 hours (depending on the charge).

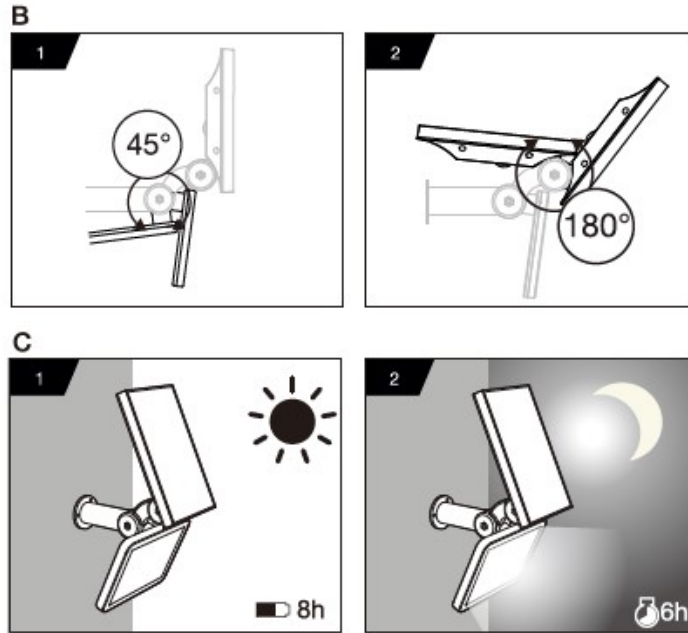
Choosing a Location for Your Solar Motion Light:

For optimum sun exposure and longer light output, place the solar panel in a position that receives at least 8 hours of direct sunlight per day. Placing the solar panel in a shaded location will now allow the batteries to fully charge and will reduce the number of operating hours for the light. In choosing a location for your solar panel light, ensure that the solar panel is not placed near the near night light sources, such as a porch light or street light.

This solar panel light is ideal for areas where electricity is not available, including driveways, carports, garages, and entrance doors, for added safety and security around your home.



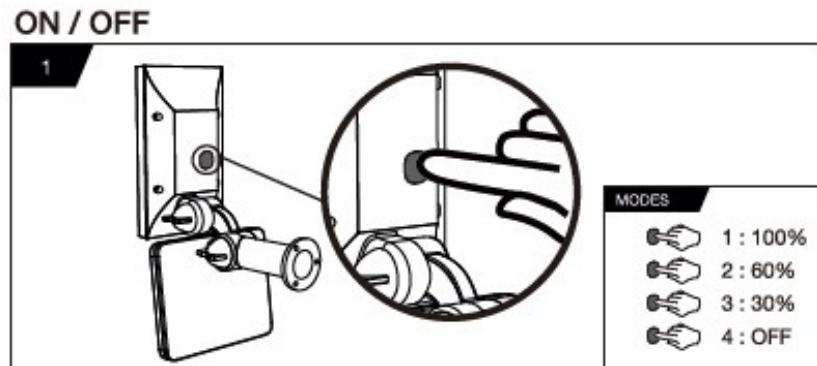
Product Name:	LED Adjustable 200LM Solar Panel Light
SKU #:	WHSL433



Operation:

The spotlight has a switch with four modes:

- 1st Mode: Press once, and the lamp turns on is at 100% brightness.
- 2nd Mode: Press twice, and the lamp turns on is at 60% brightness.
- 3rd Mode: Press three times, and the lamp turns on is at 30% brightness.
- 4th Mode: Press four times, and the lamp turns OFF.





Instruction, Use & Care Manual

Please save this manual for future reference.

Product Name:	LED Adjustable 200LM Solar Panel Light
SKU #:	WHSL433

Installation Tips

Two options for easy installation:

- Option 1: Place stake into ground and attach light.
- Option 2: Use included screws to mount on the wall.

First Time Use

Ensure the power switch of your sensor light is the "OFF" mode. In the OFF mode, the solar panel will charge the batteries without activating the light. Leave in the "OFF" mode for up to 8 hours while the solar panel is placed in direct sunlight.

Maintenance

To keep your solar panel light looking new, keep the lens free of dust and deposits by wiping occasionally with a soft, dry cloth when necessary.

Most important, ensure that the solar panel is kept free of dirt and debris at all times. A dirty solar panel will not allow the batteries to fully charge, and this will shorten the life of the batteries and may cause the light to not function properly.

During winter, remove snow for the surface so it does not prevent or slow down the charging process. Never immerse the solar light or panel in water.

Technical Specifications

LED Light Setting: 200 Lumen (High)
60 Lumen (Low)

Rechargeable Battery Type: 3.7V 1800mAh soft package Li-ion

Solar Panel: Amorphous silicon

Charge Time (minimum): 6 Hours

Troubleshooting:

Light switches on during the day	<ul style="list-style-type: none"> • Ensure the solar light is not placed in shady area. • Ensure the solar panel is facing towards direct sunlight.
Light quickly flashes on and off	<ul style="list-style-type: none"> • Battery charge may be low. In the OFF Mode, charge the battery for four (4) sunny days, ensuring the solar cell charge panel has been placed in direct sunlight.
Light is not as bright as normal	<ul style="list-style-type: none"> • Battery charge may be low. In the OFF mode, charge the battery for four (4) sunny days, ensuring the solar cell charge panel has been placed in direct sunlight.

