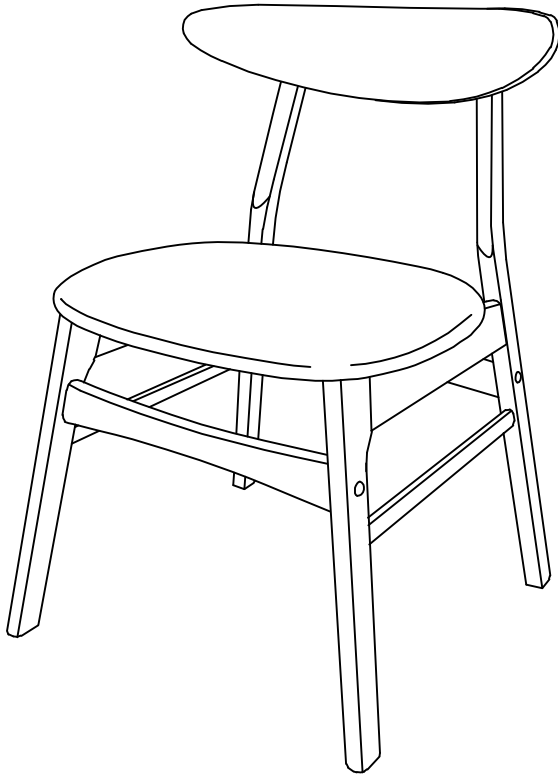


INSTRUCTION MANUAL



Solid Wood Upholstered Side Chair

! CARE & MAINTENANCE

Please keep this instruction for your future reference.

- Be careful when assembly, avoid hurting the paint of the chair.
- Clean the chair with lukewarm water, mild detergent & soft cloth.
- Firmly secure all bolts, screws and nuts before use, do not use any part of this item as a step ladder.
- Reconfirm that all bolts, screws, and nuts are secure every 90 days.
- Do not use or store this item in the proximity of open flame or flammable/combustible chemicals.
- Be aware that some parts are heavy and have sharp edges.
- Do not overtighten screws. (Insert all screws before tighten screws.)

TOOLS REQUIRED



ALLEN WRENCH
(PROVIDED)



CHAIR
220 LBS
CAPACITY



1 PERSON
ASSEMBLY



UP TO 30 MIN.
ASSEMBLY

HARDWARE

1 WOOD DOWEL



4 PCS

2 BOLT M6 X 25MM



6 PCS

3 BOLT M6 X 60MM



4 PCS

4 CAP



6 PCS

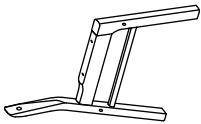
5 M4 ALLEN WRENCH



1 PC

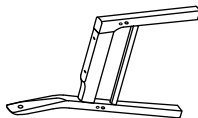
PARTS

A CHAIR RIGHT RAIL



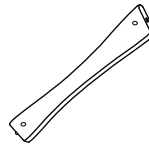
1 PC

B CHAIR LEFT RAIL



1 PC

C CROSS BAR



2 PCS

D BACKREST



1 PC

E CUSHION SEAT



1 PC

CAUTION:

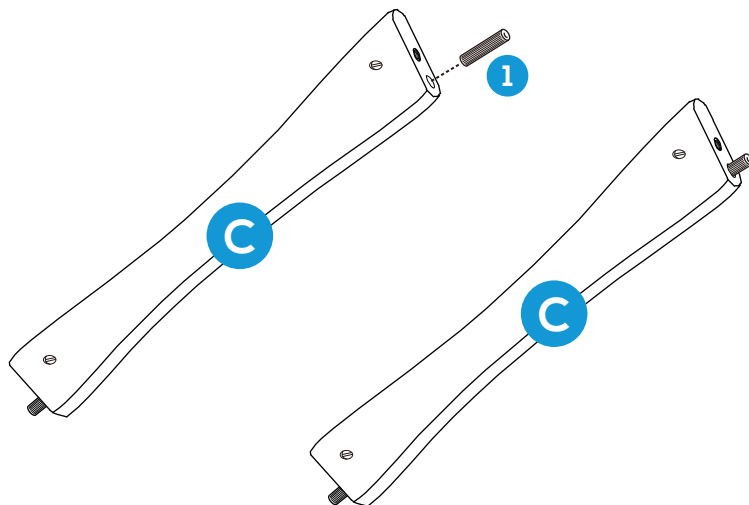
1. THE HARDWARE & PARTS LIST AND QUANTITY SHOWN ARE FOR ONE UNIT ASSEMBLY.
2. DO NOT FULLY TIGHTEN BOLTS UNTIL ALL BOLTS ARE INSERTED.

PRODUCT ASSEMBLY

1

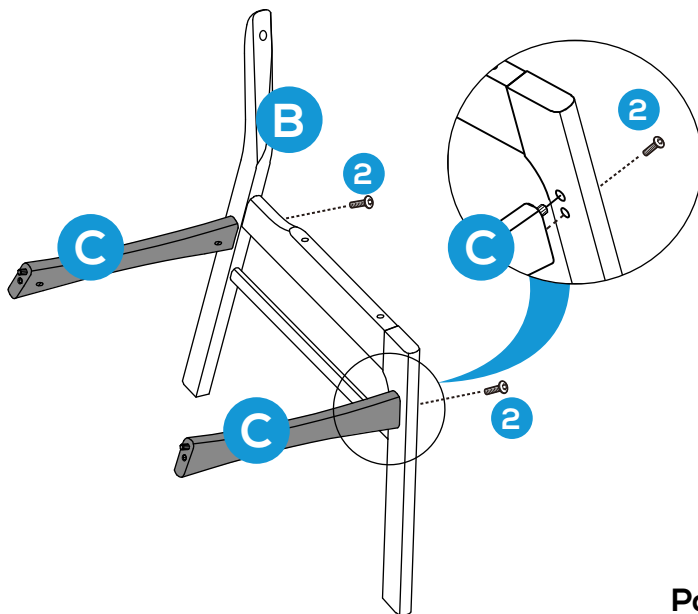
Place Parts onto soft surface like carpet to avoid damage to the paint when assembly.

Attach 4 PCS of Hardware 1 Wood Dowel into Part C Cross Bars as below.



2

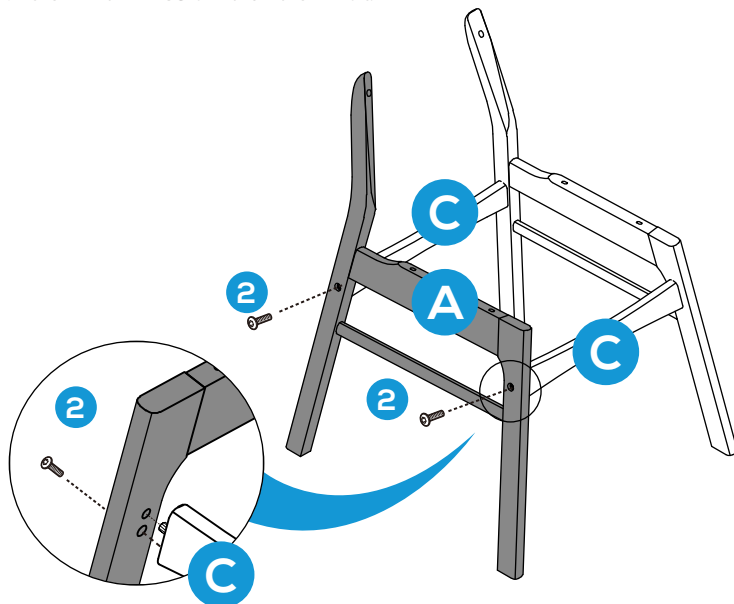
Fix the wood dowel on part C Cross Bar into the holes on the leg of par B Chair Left Rail, attach them with 2 PCS of hardware 2 Bolt.



PRODUCT ASSEMBLY

3

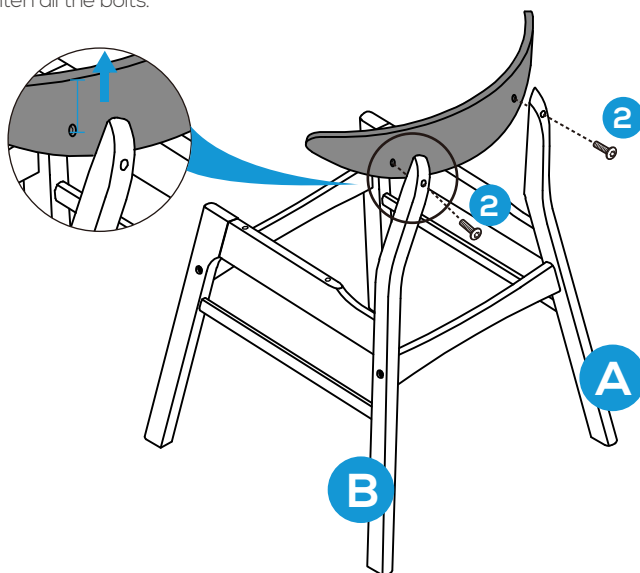
Fix the wood dowels on part C Cross Bar into the holes on the leg of part A Chair Right Rail, attach them with 2 PCS of hardware 2 Bolt.



4

Attach the curve backrest onto the long legs of par A and B Chair Rails as below, fix them with 2 PCS of hardware 2 Bolt.

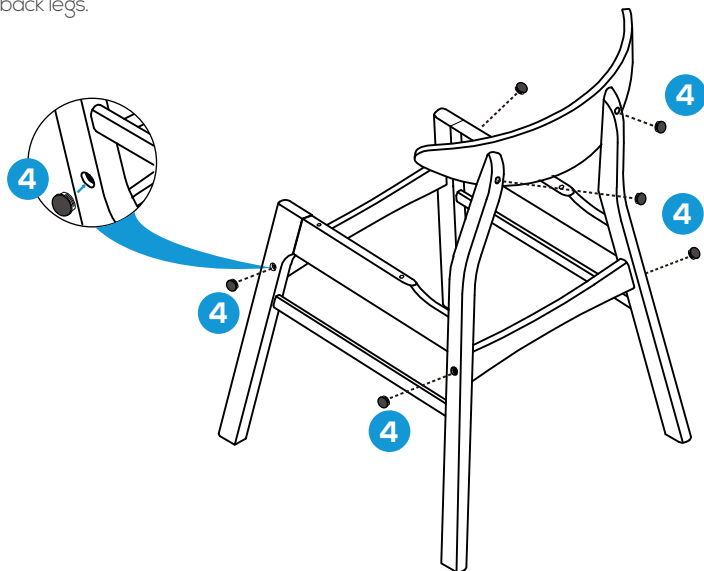
Fully tighten all the bolts.



PRODUCT ASSEMBLY

5

Stuff 6 PCS of hardware 4 Caps into the holes on part A and B Chair Rail as well as the back legs.



6

Turn the Chair upside down and attach part E the cushion seat to the chair as below with 4 PCS of hardware 3 Bolt to finish the assembly.

Tighten the bolt only 60-80% to ensure the position and then tighten firmly.

Pay attention to attach the round side towards the rear of chair.

