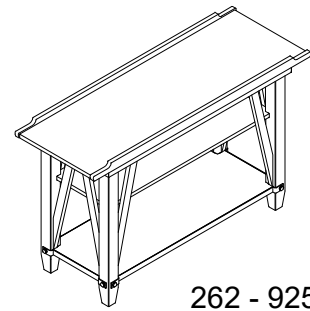


# ASSEMBLY INSTRUCTIONS



## TOOLS REQUIRED:

Allen Key (supplied, Part # G)

## BEFORE YOU START:

1. Check the hardware against the hardware list to make sure all items are present.
2. Assemble your furniture on a soft, flat surface to avoid scratching the finish.
3. **CAUTION:** Do not over tighten screws, nuts or bolts during assembly.
4. Your furniture may require occasional tightening.

## INSTRUCTIONS:

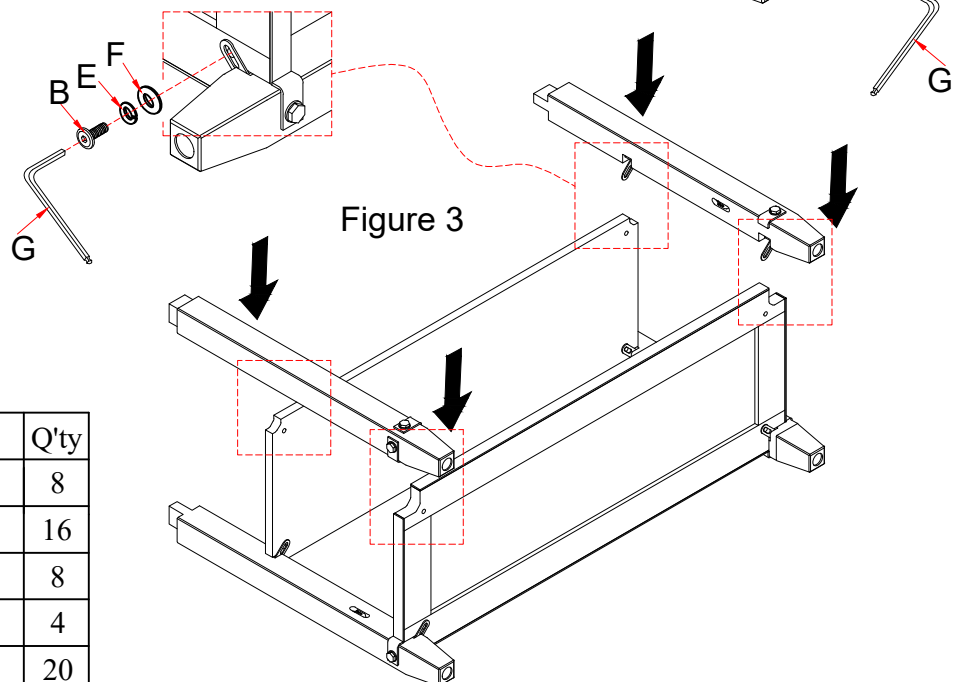
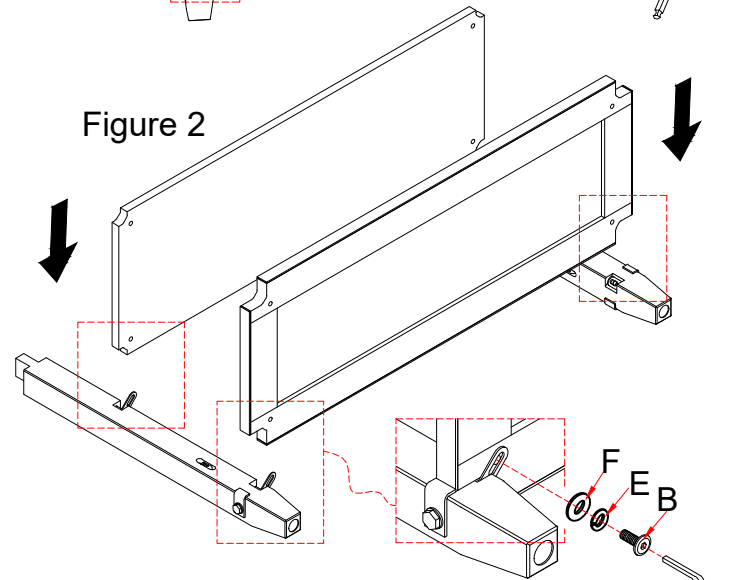
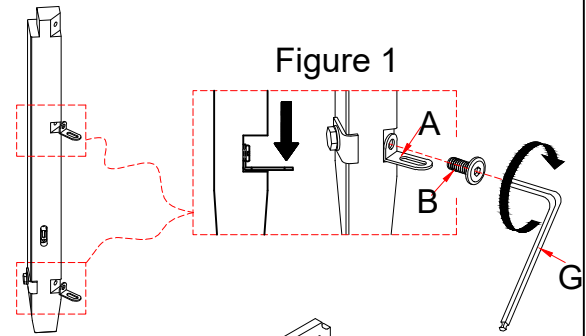
1. Turn the Table Top upside down on to a clean, soft surface. Attach Metal "L" (A) on the four legs by using Bolt (B) with Allen Key (G). (See Figure 1).

2. Attach center shelf and bottom shelf on the two legs by using Flat washer (F), Lock Washer (E), Bolt (B) with Allen Key (G). (See Figure 2).

3. Attach remaining two Legs on the center shelf and bottom shelf by using Flat washer (F), Lock Washer (E), Bolt (B) with Allen Key (G). (See Figure 3).

4. Attach all Stretcher on Legs (See Figure 4).

5. Then attach Table Top on the Leg frame of Step 4 by using Flat washer (F), Lock Washer (E), Bolt (D) and Bolt (C) with Allen Key (G). (See Figure 5). Tighten all bolts with Allen Key (G).



No.	Hardware List		Q'ty
A		Metal "L" 41 x 21 x 18mm	8
B		Bolt Ø1/4 x 5/8"	16
C		Bolt Ø1/4 x 1-3/8"	8
D		Bolt Ø1/4 x 2-1/8"	4
E		Lock Washer Ø1/4"	20
F		Flat Washer Ø1/4"*16mm	20
G		Allen Key 4mm	1

# ASSEMBLY INSTRUCTIONS

## TOOLS REQUIRED:

Allen Key (supplied, Part # G)

## BEFORE YOU START:

1. Check the hardware against the hardware list to make sure all items are present.
2. Assemble your furniture on a soft, flat surface to avoid scratching the finish.
3. **CAUTION:** Do not over tighten screws, nuts or bolts during assembly.
4. Your furniture may require occasional tightening.

## INSTRUCTIONS:

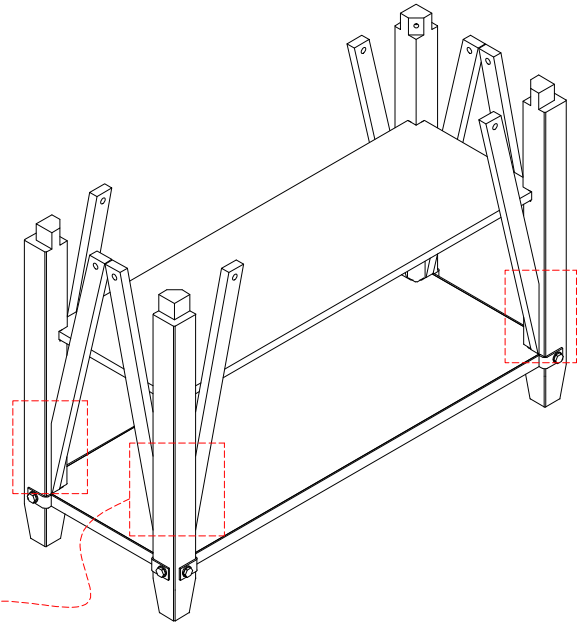


Figure 4

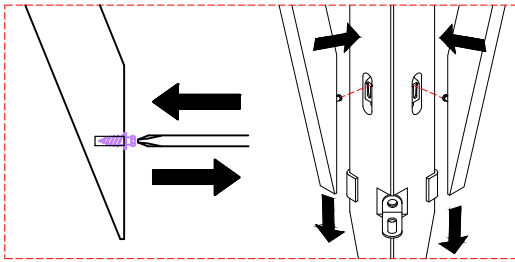


Figure 5

